

US00D594514S

(12) **United States Design Patent**
Noguchi et al.

(10) **Patent No.:** **US D594,514 S**
(45) **Date of Patent:** **** Jun. 16, 2009**

(54) **RADIO REMOTE CONTROL UNIT** 7,374,489 B2 * 5/2008 Sexton 463/36

(75) Inventors: **Yoshihiro Noguchi**, Chiba (JP);
Masahiro Arai, Chiba (JP); **Hideo Kitazawa**, Chiba (JP)

(73) Assignee: **Futaba Corporation**, Mobara-shi,
Chiba-ken (JP)

(**) Term: **14 Years**

(21) Appl. No.: **29/305,592**

(22) Filed: **Mar. 25, 2008**

(30) **Foreign Application Priority Data**
Sep. 28, 2007 (JP) 2007-026421

(51) **LOC (9) Cl.** **21-01**
(52) **U.S. Cl.** **D21/566**
(58) **Field of Classification Search** D21/324,
D21/329, 333, 566; D14/400, 401, 454,
D14/217, 218, 358, 155; D13/168; 446/454-456;
463/6, 7, 36-39, 46, 47
See application file for complete search history.

(56) **References Cited**

U.S. PATENT DOCUMENTS

D390,613 S *	2/1998	Kanetsuna et al.	D21/566
D411,265 S	6/1999	Kanetsuna et al.		
D464,684 S	10/2002	Arai et al.		
D481,080 S	10/2003	Arai et al.		
D503,439 S *	3/2005	Galletti	D21/566
6,893,320 B2 *	5/2005	Caiozza	446/456
D513,045 S *	12/2005	Yuen	D21/566
D516,137 S *	2/2006	Yuen	D21/566
D524,382 S	7/2006	Morita et al.		
D525,320 S	7/2006	Noguchi		

FOREIGN PATENT DOCUMENTS

JP	0989035	5/1997
JP	0989037	5/1997
JP	989035	9/1997
JP	989037	9/1997
JP	0999366	9/1997
JP	999366	12/1997
JP	1179456	5/2003
JP	1179456	7/2003
JP	1219779	8/2004
JP	1219779	10/2004

* cited by examiner

Primary Examiner—Holly H Baynham
Assistant Examiner—Cynthia M Chin
(74) *Attorney, Agent, or Firm*—Quarles & Brady LLP

(57) **CLAIM**

We claim the ornamental design for a radio remote control unit, as shown and described.

DESCRIPTION

FIG. 1 is a front side perspective view of a radio remote control unit showing our new design;
FIG. 2 is a rear side perspective view thereof;
FIG. 3 is a front elevational view thereof;
FIG. 4 is a rear elevational view thereof;
FIG. 5 is a right side elevational view thereof;
FIG. 6 is a left side elevational view thereof;
FIG. 7 is a top plan view thereof; and,
FIG. 8 is a bottom plan view thereof.

1 Claim, 7 Drawing Sheets

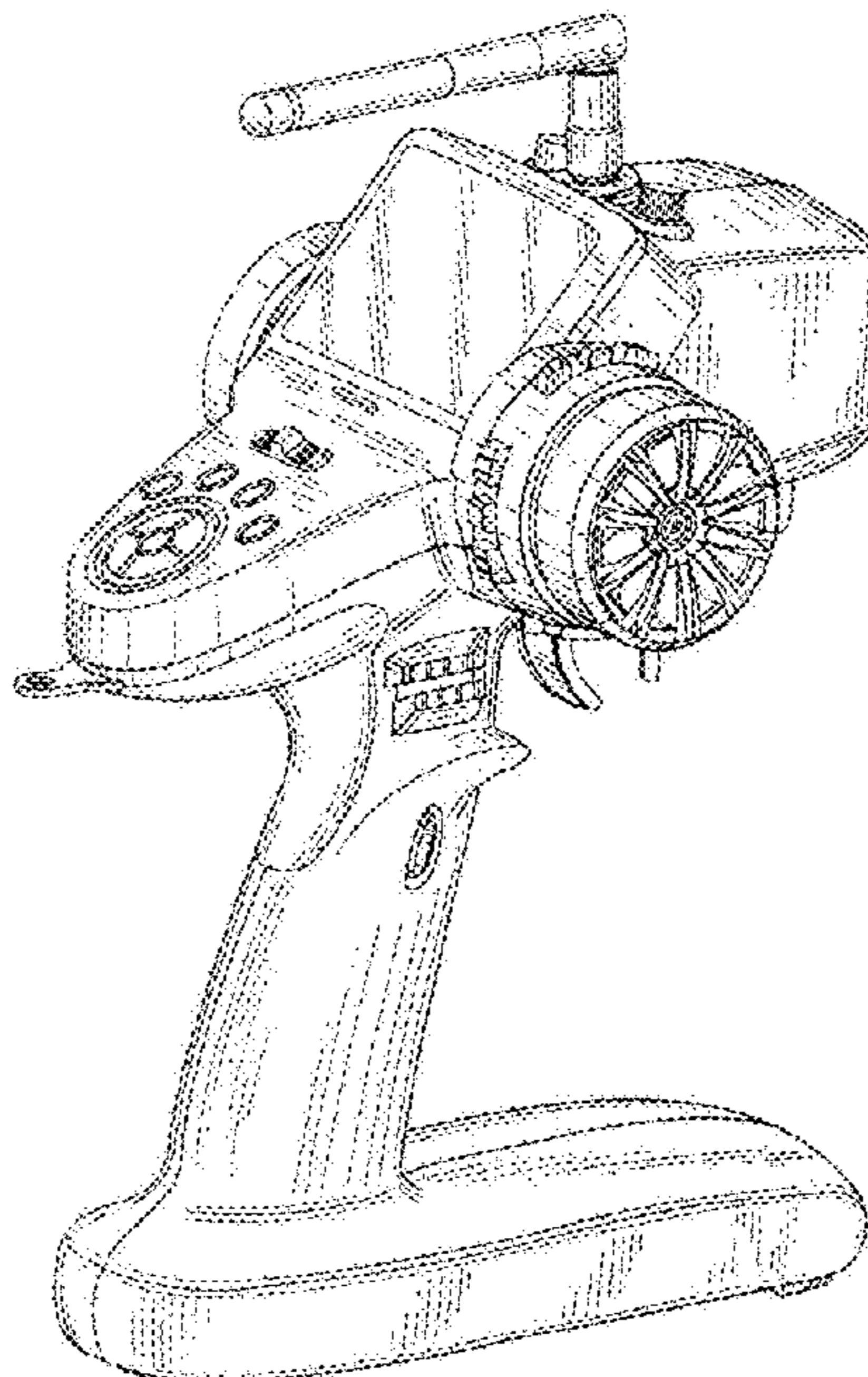


FIG. 1

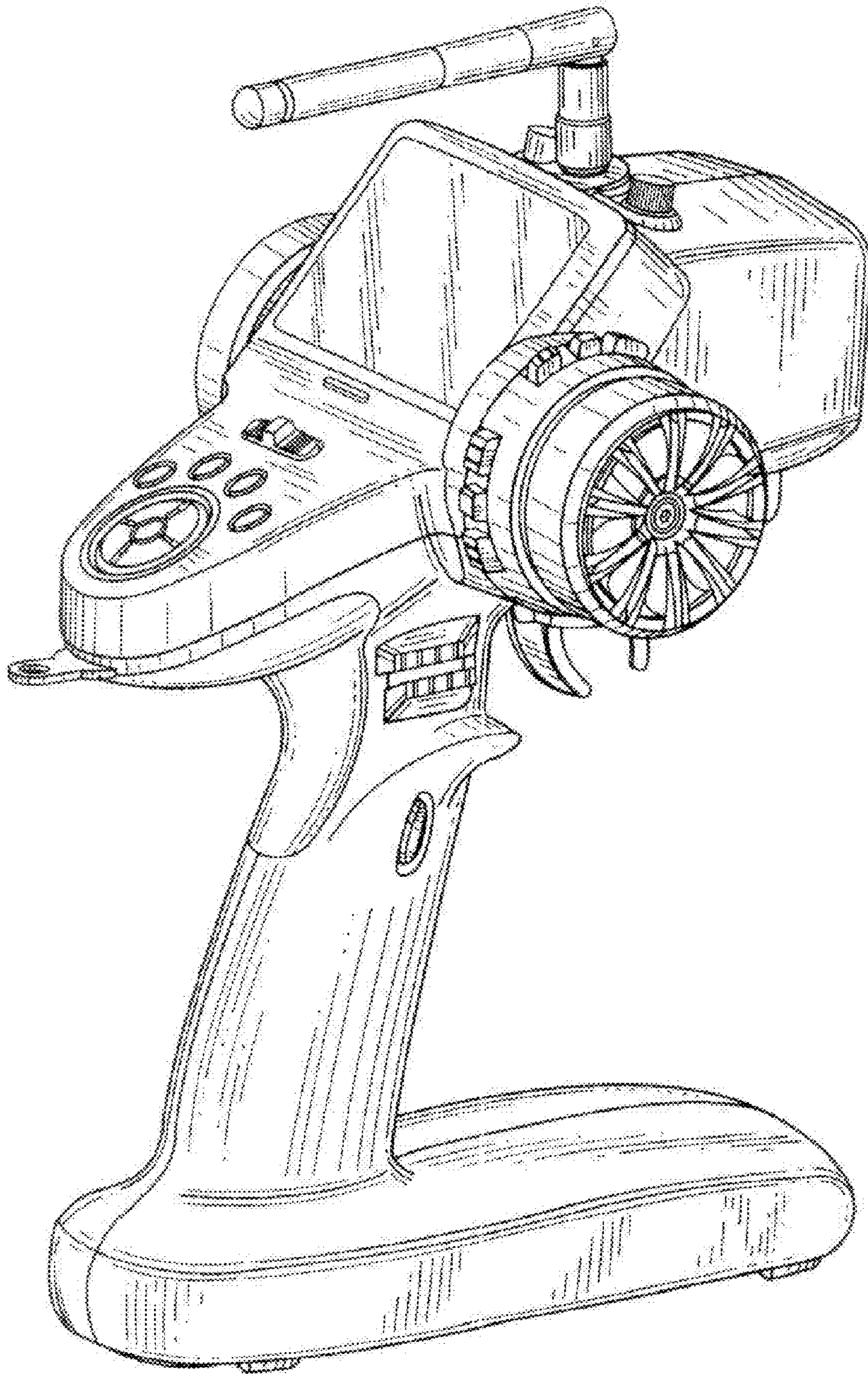


FIG.2

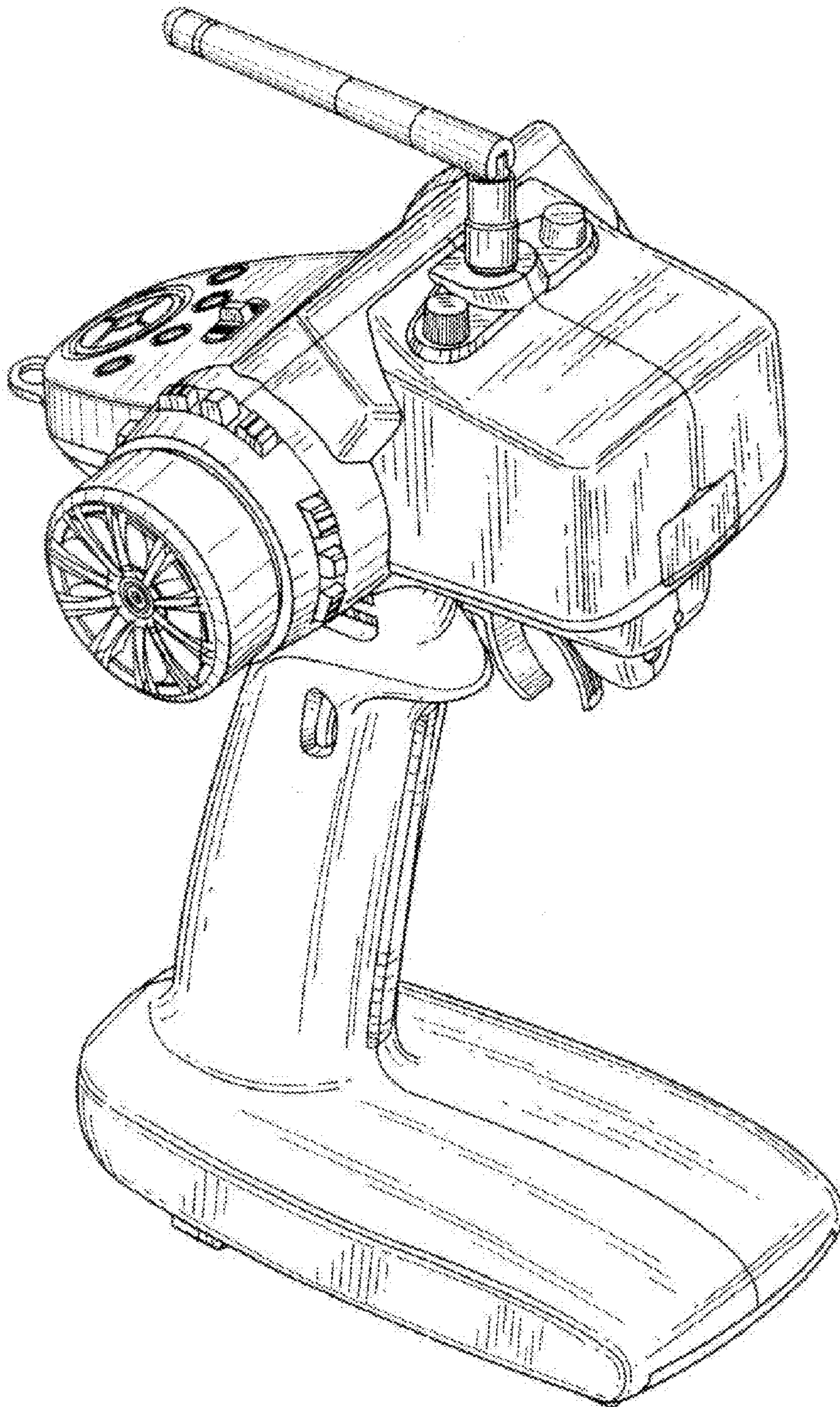


FIG.3

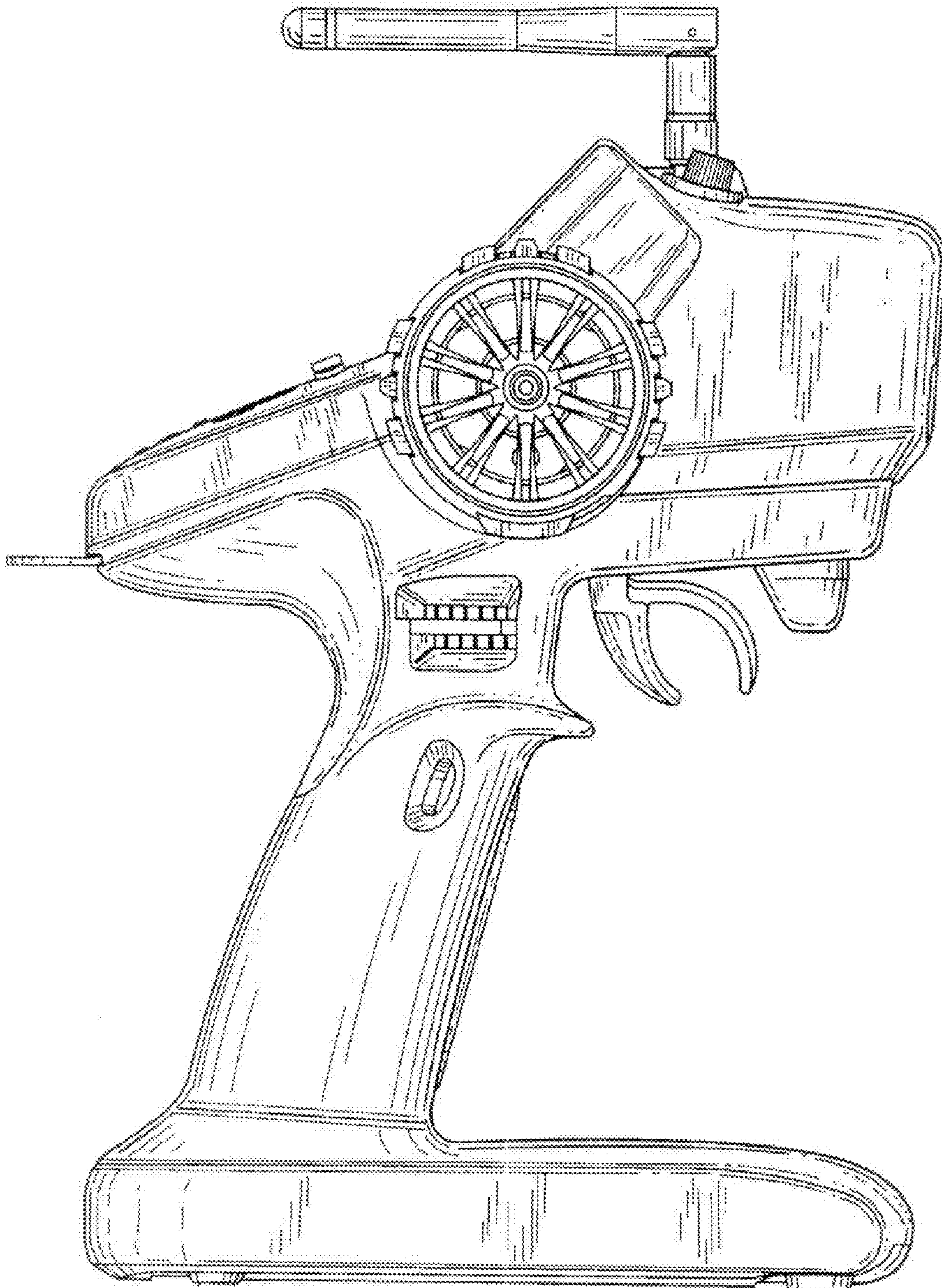


FIG.4

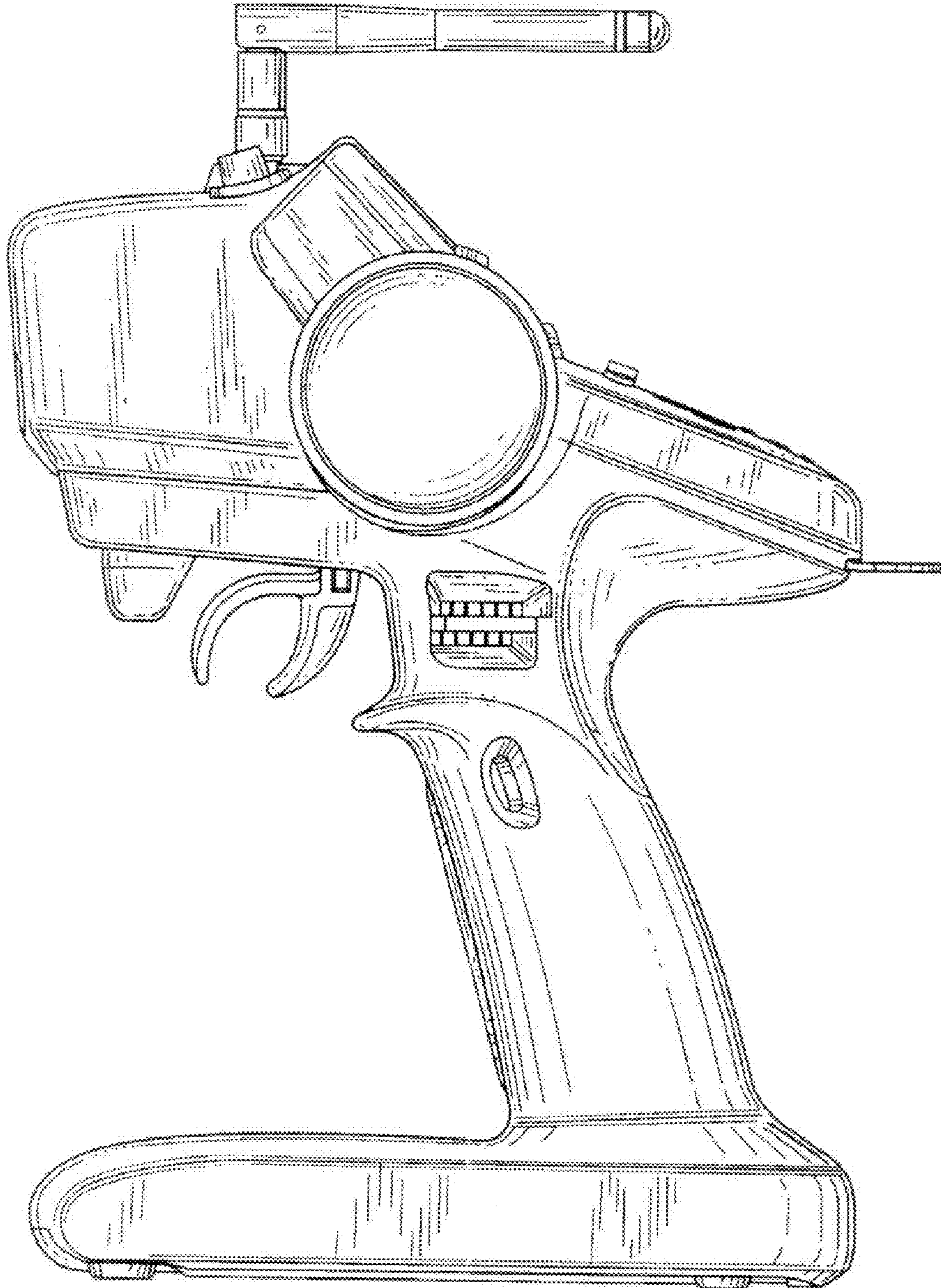


FIG.5

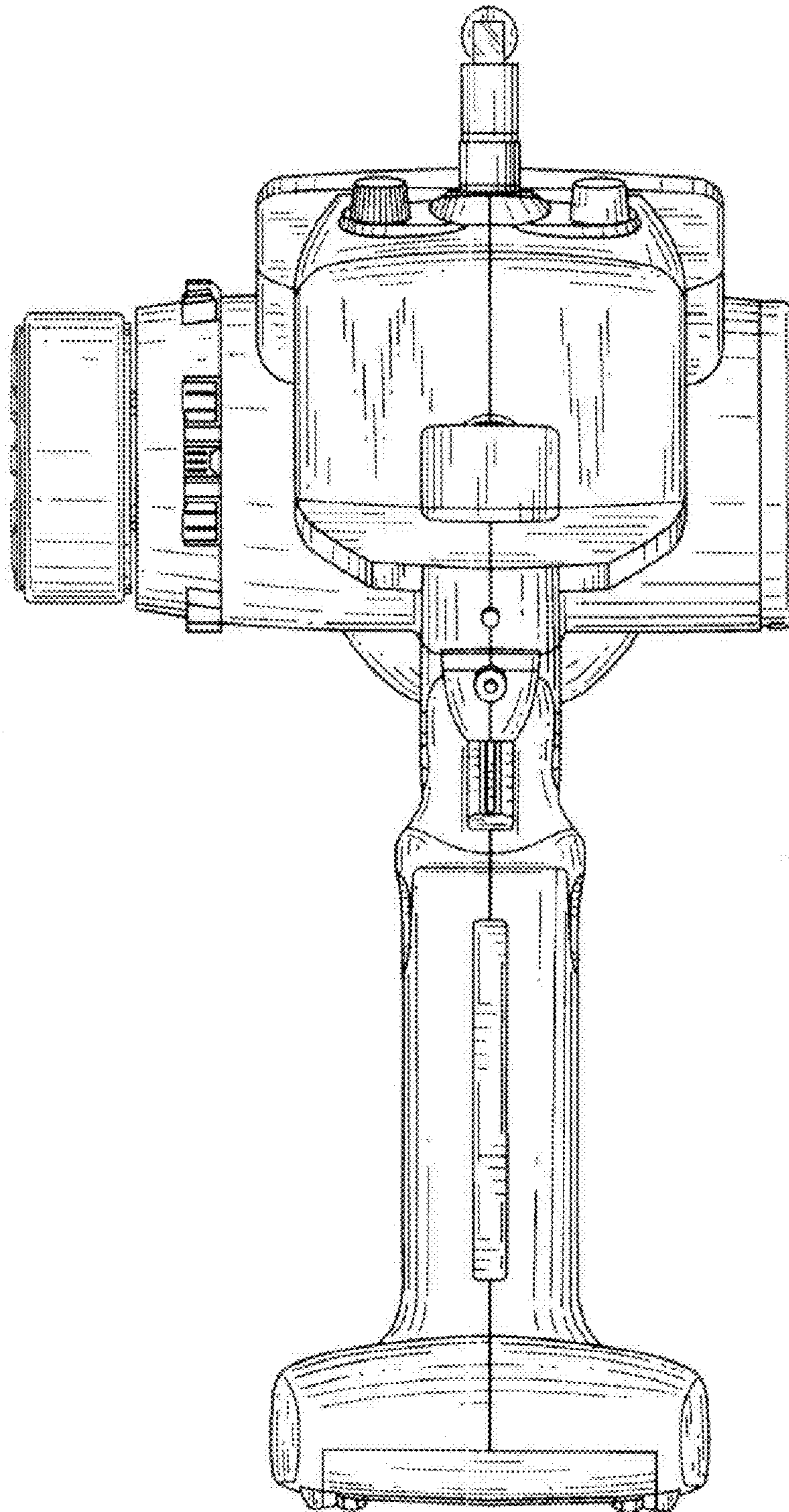


FIG.6

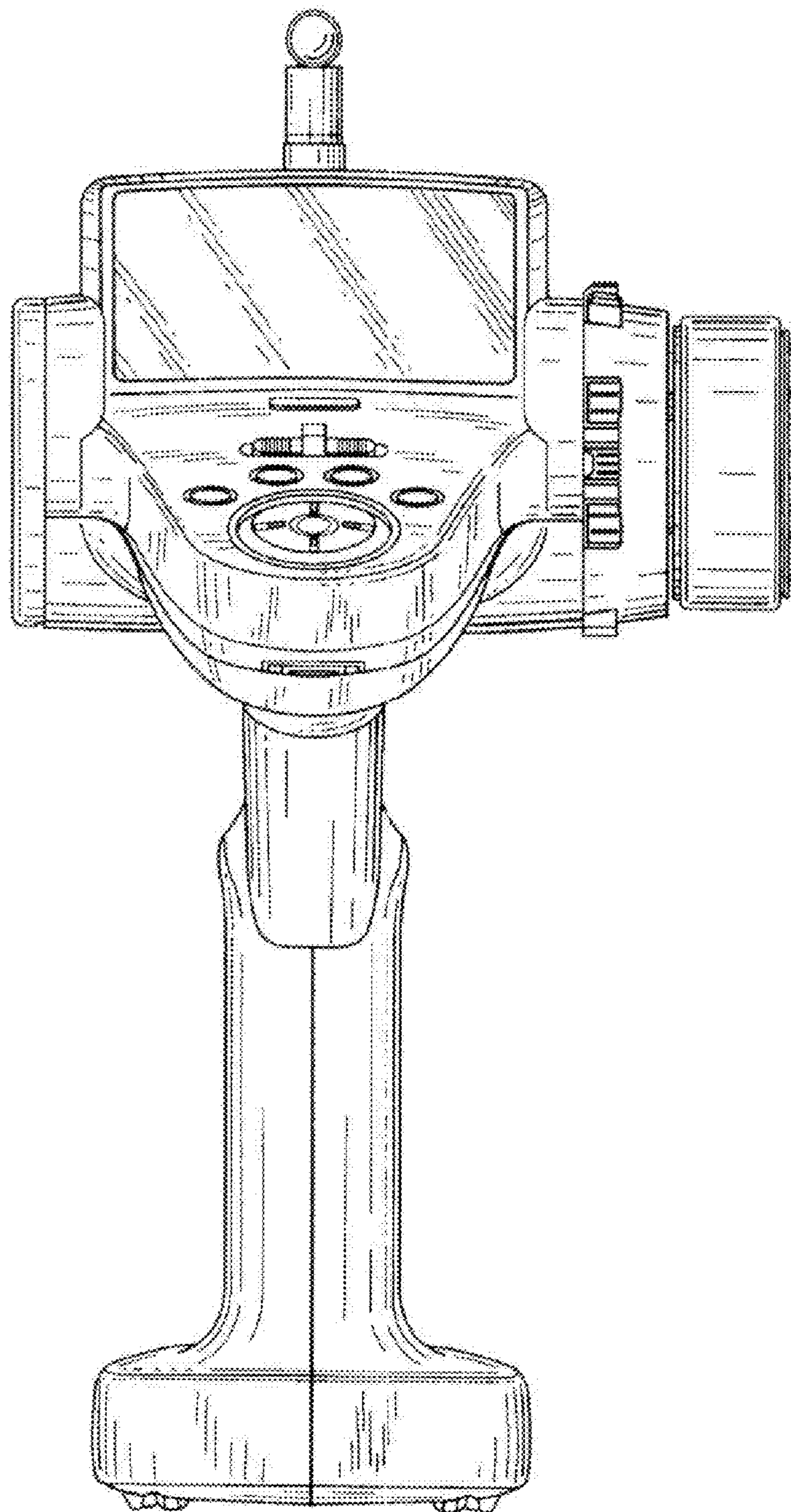


FIG.7

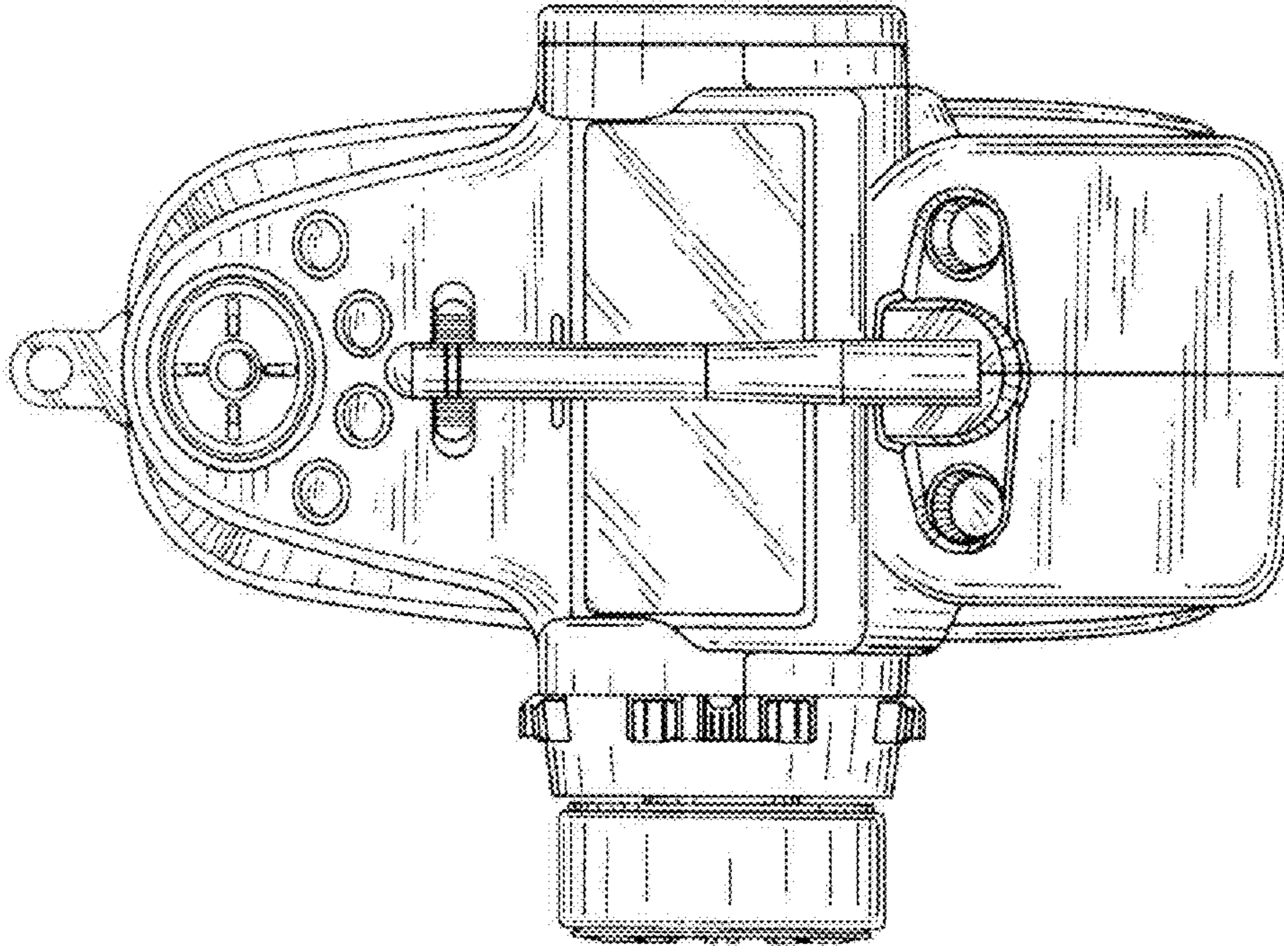


FIG.8

