



US00D594511S

(12) **United States Design Patent**
Smyth

(10) **Patent No.:** **US D594,511 S**
(45) **Date of Patent:** **** Jun. 16, 2009**

(54) **ARRAYED-PEG GAME BOARD**

(76) Inventor: **Matthew Russell Smyth**, 2425 3rd #4,
San Diego, CA (US) 92102

(**) Term: **14 Years**

(21) Appl. No.: **29/304,882**

(22) Filed: **Mar. 9, 2008**

(51) **LOC (9) Cl.** **21-01**

(52) **U.S. Cl.** **D21/345; D21/337**

(58) **Field of Classification Search** **D21/334-368;**
273/236-288

See application file for complete search history.

(56) **References Cited**

U.S. PATENT DOCUMENTS

2,075,619	A *	3/1937	Klemin	273/241
3,556,526	A *	1/1971	Currie	273/239
3,561,774	A *	2/1971	Brinser	273/241
4,119,320	A *	10/1978	Chorba et al.	273/241
5,116,061	A *	5/1992	Zentner, Jr.	273/241
5,209,486	A *	5/1993	Brotz	273/239
D520,570	S *	5/2006	Ruegg	D21/345

* cited by examiner

Primary Examiner—Sandra Morris

(74) *Attorney, Agent, or Firm*—Eric Hanscom; Todd Langford

(57) **CLAIM**

The ornamental design for an arrayed-peg game board, as shown and described.

DESCRIPTION

FIG. 1 is a perspective view of an arrayed-peg game board showing my new design;

FIG. 2 is a top plan view thereof;

FIG. 3 is a front view thereof;

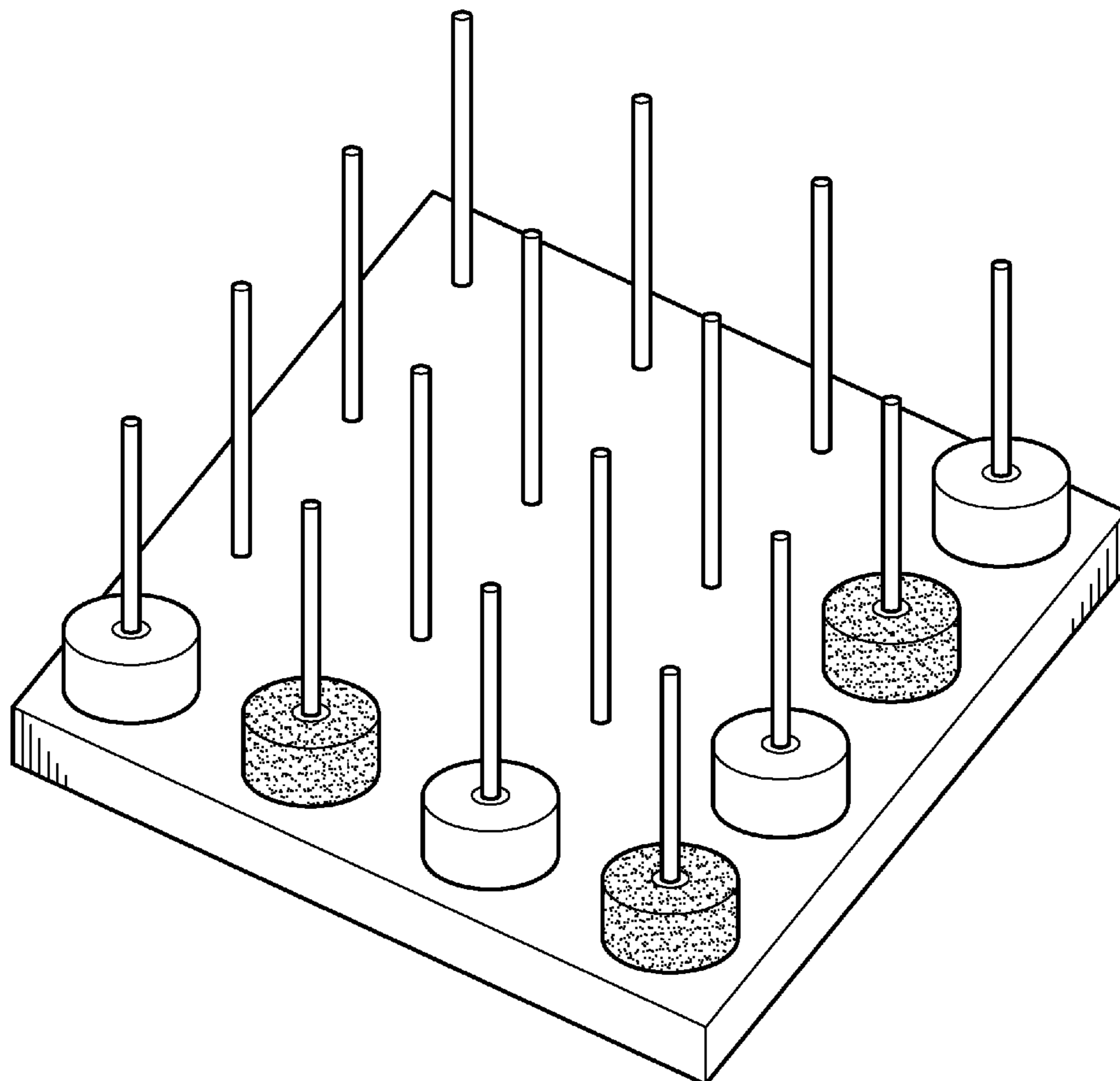
FIG. 4 is a back view thereof; and,

FIG. 5 is a perspective view showing a larger number of playing pieces placed upon the pegs.

The application relates to the design of an arrayed-peg game board. The invention has a flat substrate which is roughly square in shape, with sixteen peg-like projections emanating from its upper surface.

The unique design and appearance of this device are illustrated in the drawings.

1 Claim, 3 Drawing Sheets



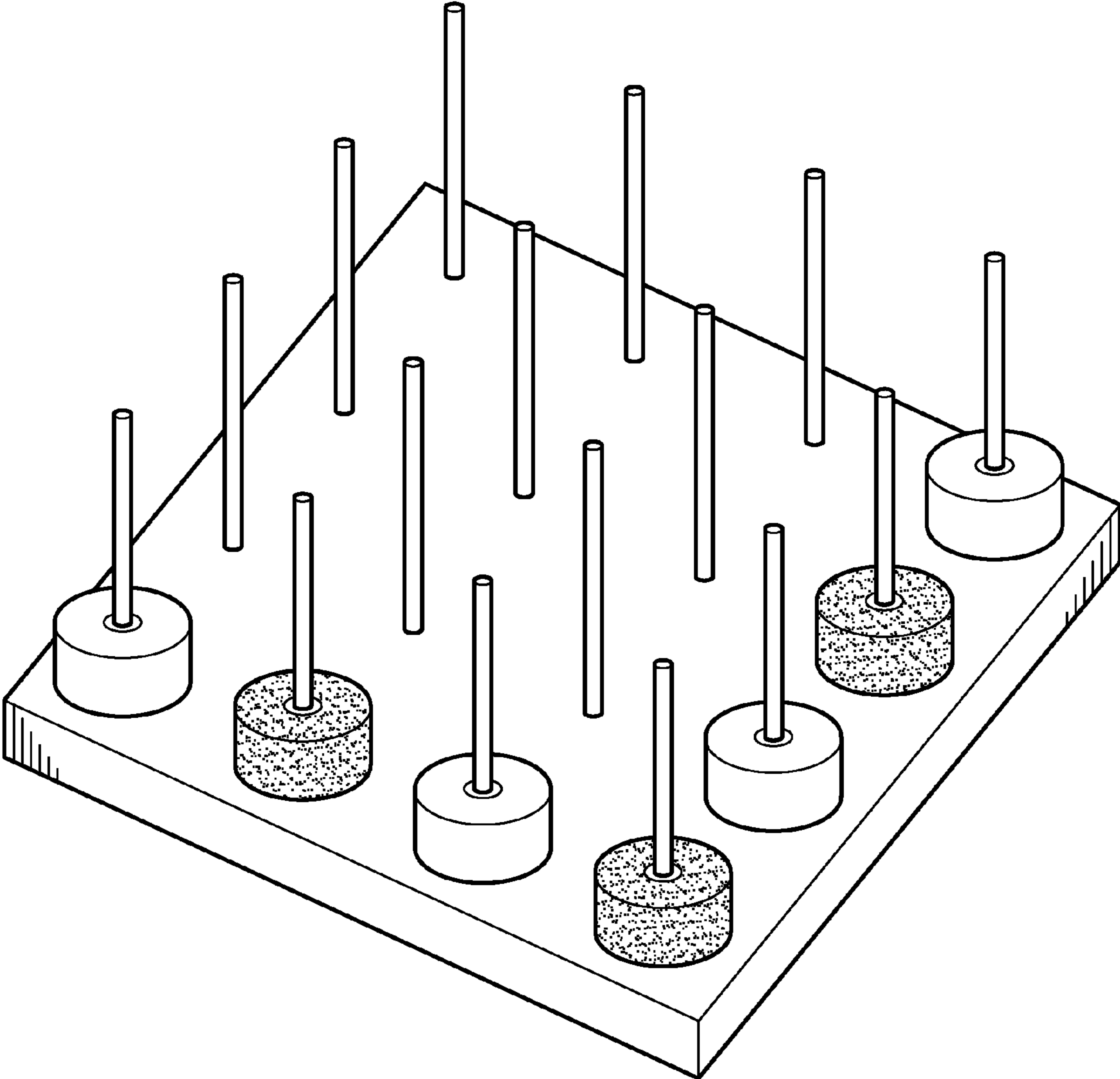


FIG. 1

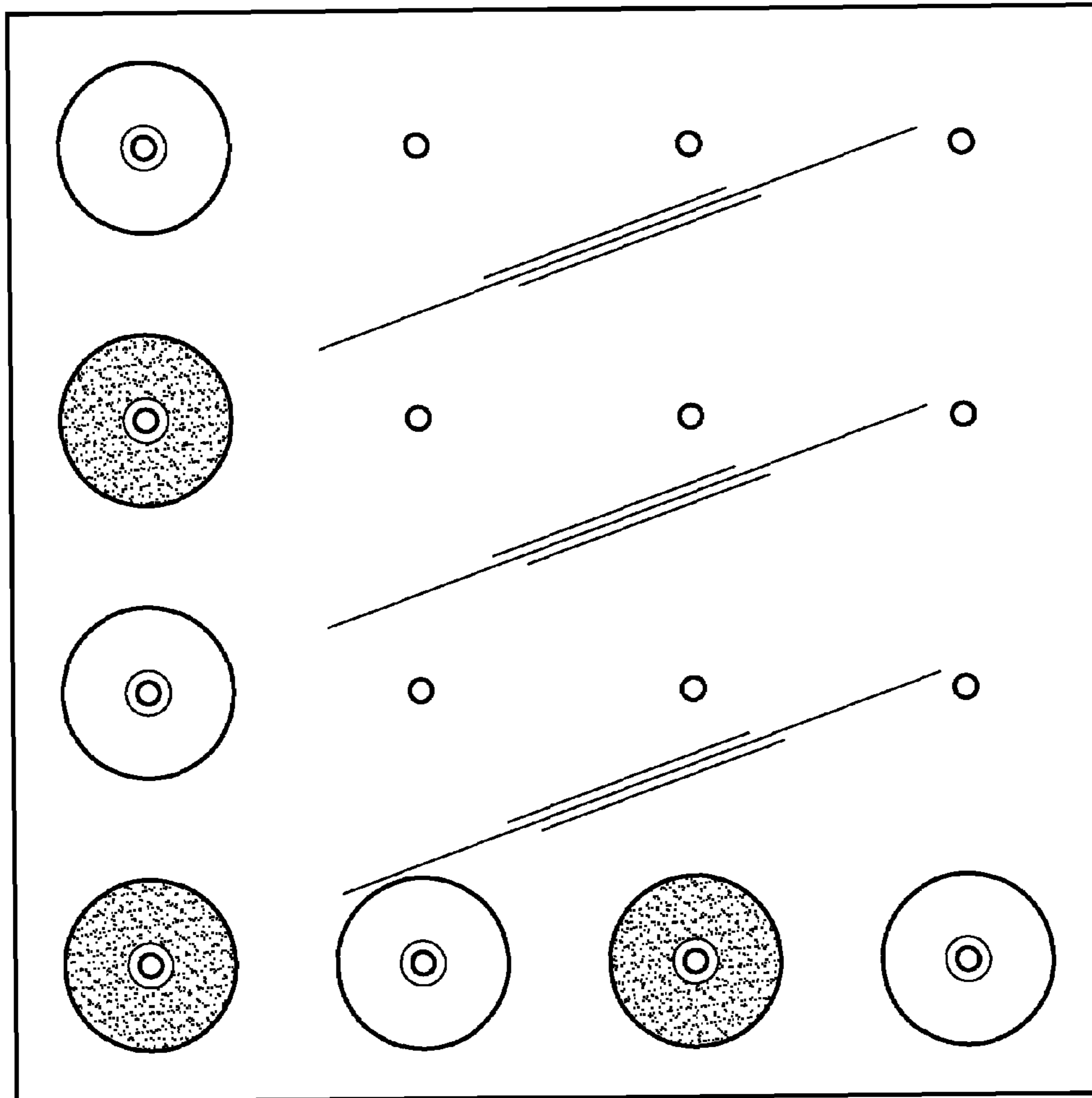


FIG. 2

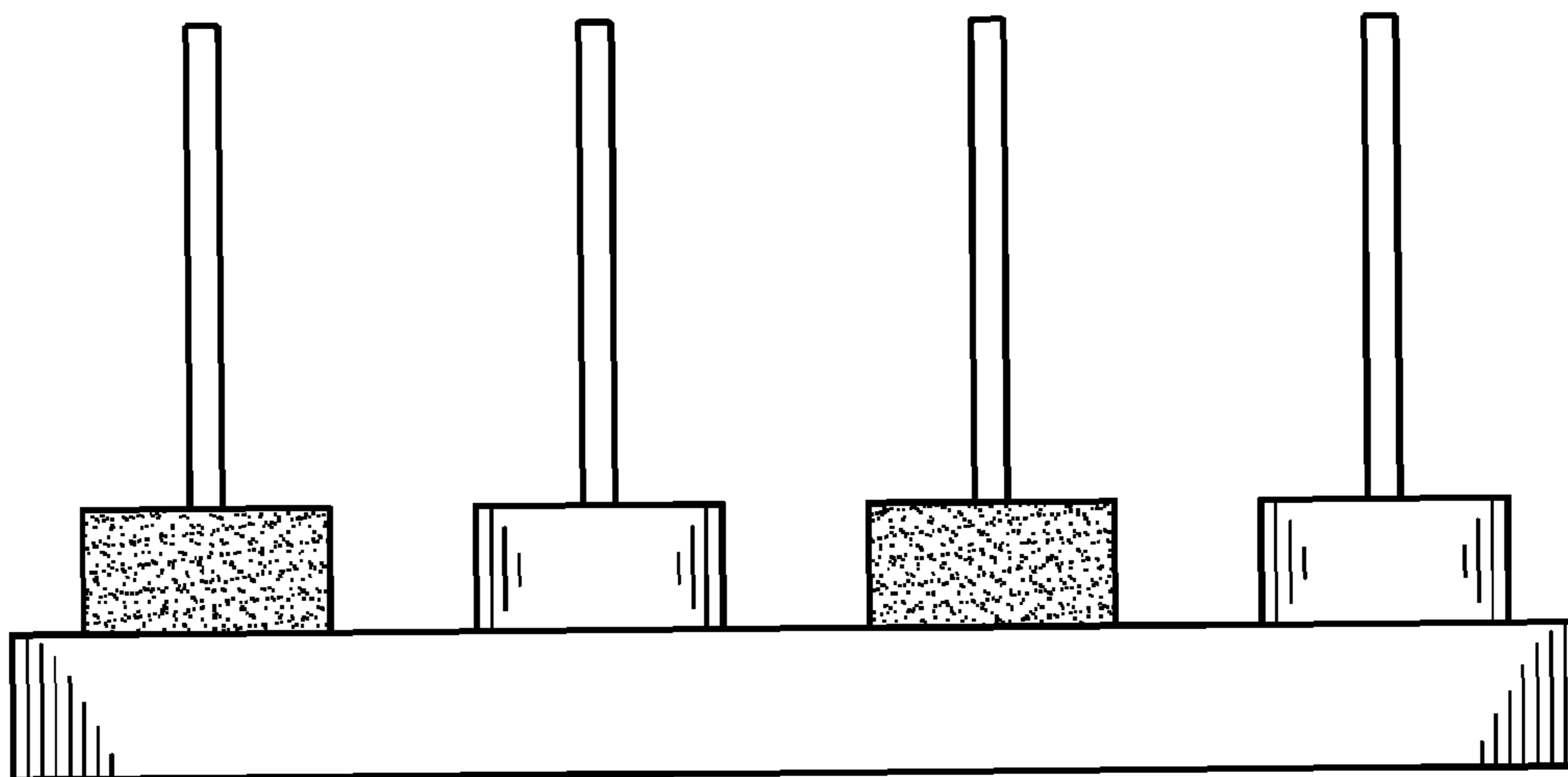


FIG. 3

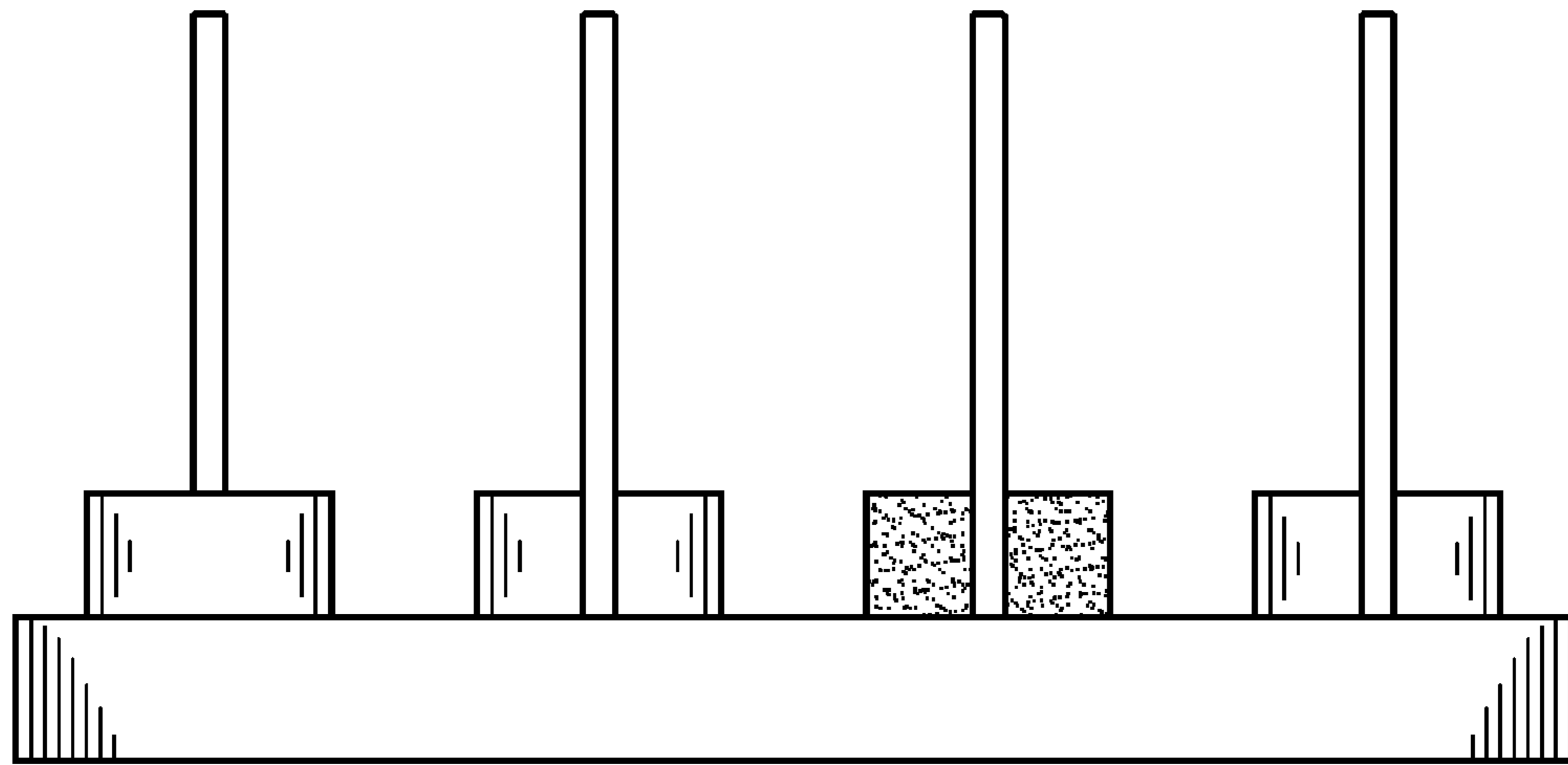


FIG. 4

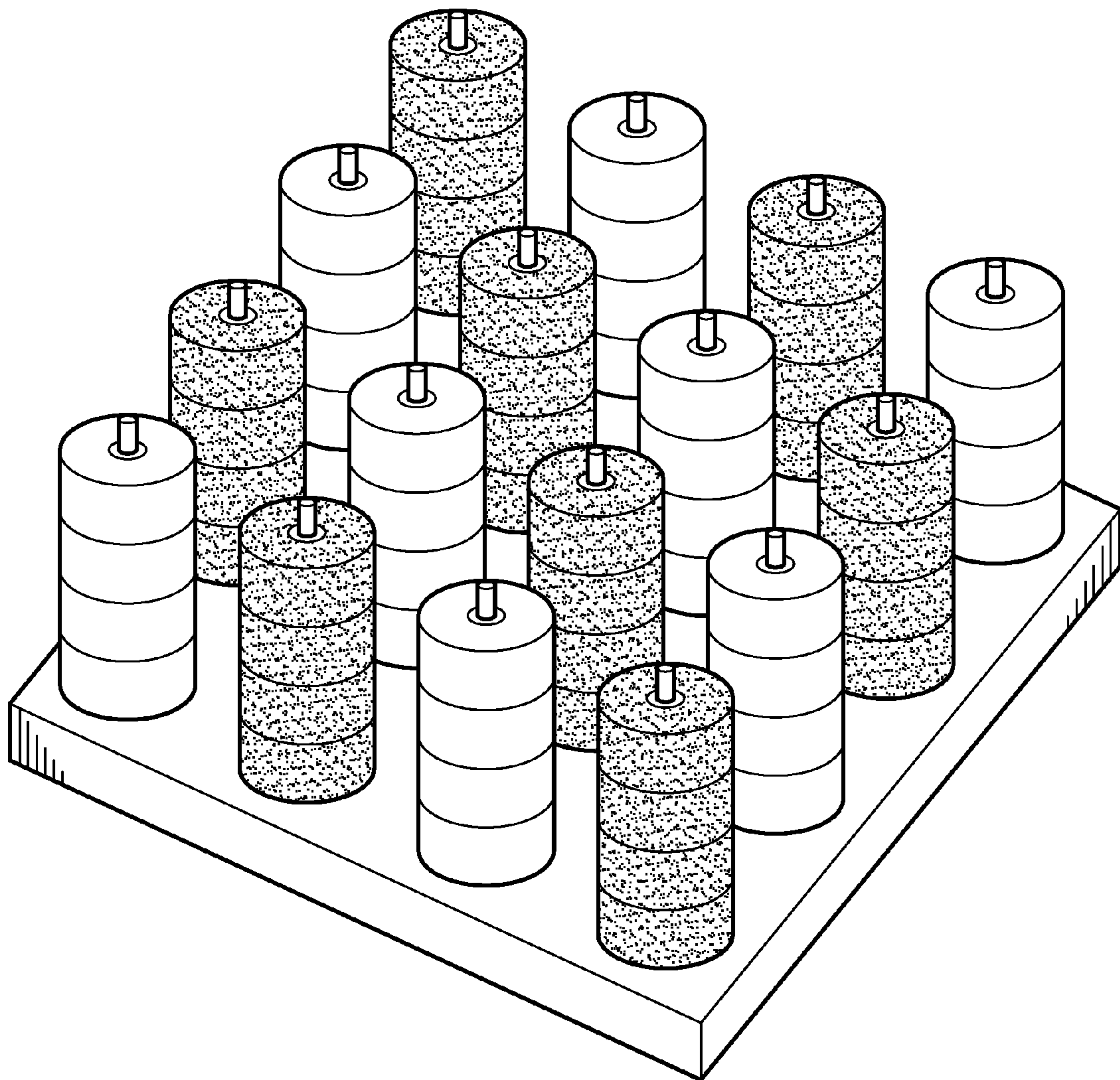


FIG. 5