



US00D594509S

(12) **United States Design Patent**  
**Chan**

(10) **Patent No.:** **US D594,509 S**  
(45) **Date of Patent:** **\*\* Jun. 16, 2009**

(54) **BUSINESS CARD HOLDER**

(75) Inventor: **Sik Leung Chan**, Tsuen Wan (CN)  
(73) Assignee: **C.C. & L Company Limited**, Tsuen Wan, N.T. (HK)

(\*\*) Term: **14 Years**

(21) Appl. No.: **29/313,155**

(22) Filed: **Dec. 11, 2008**

(30) **Foreign Application Priority Data**

Jul. 17, 2008 (HK) ..... 0801830

(51) **LOC (9) Cl.** ..... **19-02**

(52) **U.S. Cl.** ..... **D19/91**

(58) **Field of Classification Search** ..... D3/201,  
D3/203.2, 215, 273, 294, 298, 314; D6/634;  
D19/75, 77-87, 90-92; 206/37, 215, 425,  
206/449, 555, 575; 211/45, 50; D9/422,  
D9/423, 424, 432

See application file for complete search history.

(56) **References Cited**

**U.S. PATENT DOCUMENTS**

D48,897 S \* 4/1916 Hubbard ..... D9/423  
2,084,912 A \* 6/1937 Klep ..... 273/282.1  
D155,058 S \* 8/1949 Weiss ..... D9/756

(Continued)

*Primary Examiner*—Elizabeth A Albert

(74) *Attorney, Agent, or Firm*—Daniel P. Burke & Associates, PLLC

(57) **CLAIM**

The ornamental design for a business card holder, as shown and described.

**DESCRIPTION**

FIG. 1 is a top perspective view of a business card holder showing my new design in a closed position;

FIG. 2 is a bottom, rear perspective view of the business card holder of FIG. 1 in a closed position;

FIG. 3 is a top view of the business card holder of FIG. 1 in a closed position;

FIG. 4 is a front view of the business card holder of FIG. 1 in a closed position;

FIG. 5 is a right side view of the business card holder of FIG. 1 in a closed position;

FIG. 6 is a left side view of the business card holder of FIG. 1 in a closed position;

FIG. 7 is a rear view of the business card holder of FIG. 1 in a closed position;

FIG. 8 is a bottom view of the business card holder of FIG. 1 in a closed position;

FIG. 9 is a top, front perspective view of the business card holder in an open position;

FIG. 10 is a front perspective view of the business card holder of FIG. 9 in an open position;

FIG. 11 is a top, rear perspective view of the business card holder of FIG. 9 in an open position;

FIG. 12 is a bottom perspective view of the business card holder of FIG. 9 in an open position;

FIG. 13 is a top view of the business card holder of FIG. 9 in an open position;

FIG. 14 is a front view of the business card holder of FIG. 9 in an open position;

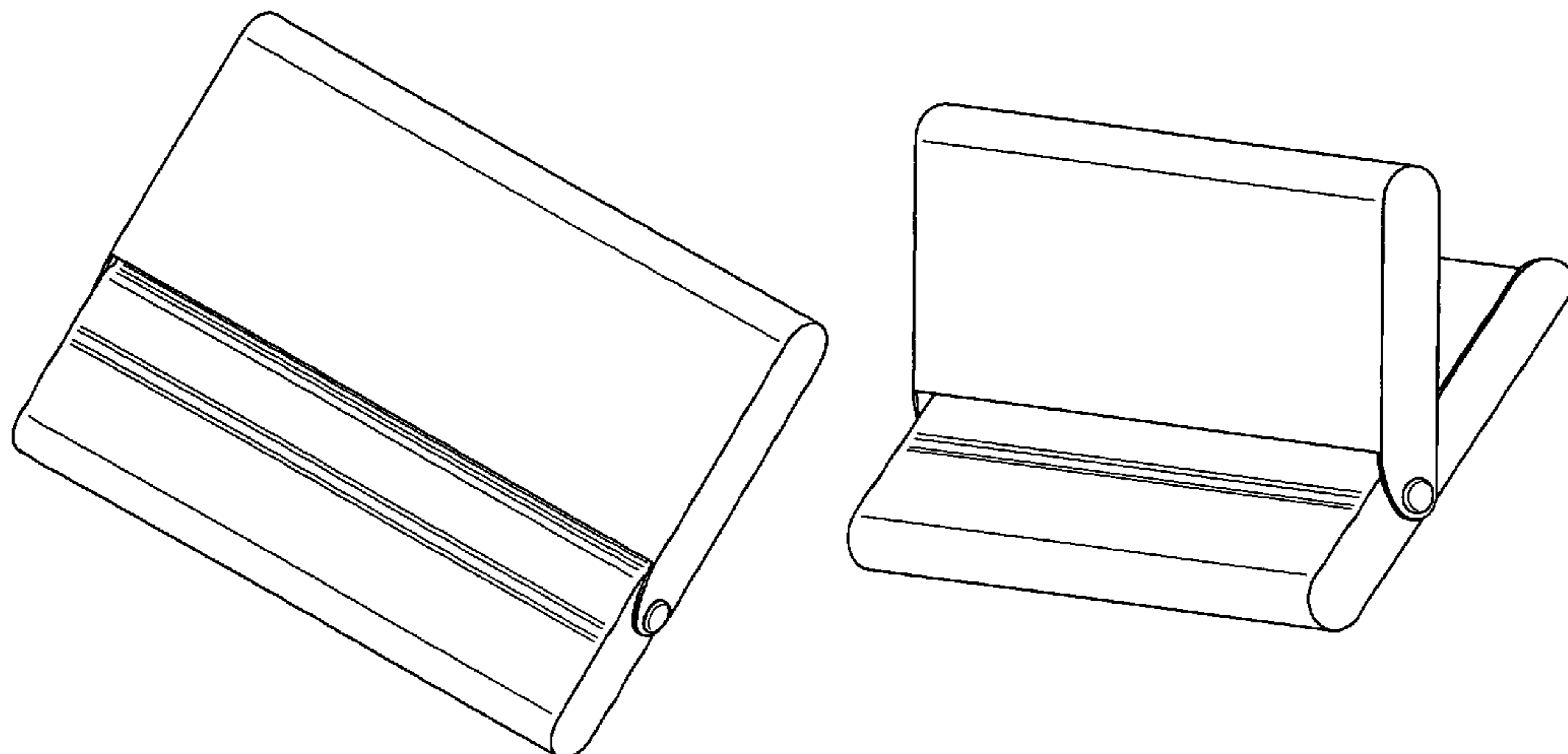
FIG. 15 is a right side view of the business card holder of FIG. 9 in an open position;

FIG. 16 is a left side view of the business card holder of FIG. 9 in an open position;

FIG. 17 is a rear view of the business card holder of FIG. 9 in an open position; and,

FIG. 18 is a bottom view of the business card holder of FIG. 9 in an open position.

**1 Claim, 10 Drawing Sheets**



# US D594,509 S

Page 2

## U.S. PATENT DOCUMENTS

D252,935 S *	9/1979	Henkels .....	D19/77	6,119,851 A *	9/2000	Paciello .....	206/45.23
D255,038 S *	5/1980	Itakura .....	D21/385	D451,964 S *	12/2001	Chan .....	D19/90
D267,821 S *	2/1983	Guth et al. ....	D28/38	D464,567 S *	10/2002	Baerenwald et al. ....	D9/432
D277,418 S *	1/1985	Hemrich et al. ....	D28/38	D468,099 S *	1/2003	Chang .....	D3/273
4,941,576 A *	7/1990	Sugarman et al. ....	211/69.1	D483,575 S *	12/2003	Chan .....	D6/310
D311,549 S *	10/1990	Battisti .....	D19/26	D513,873 S *	1/2006	Bochno et al. ....	D3/294
D315,057 S *	3/1991	Bridges .....	D3/295	D535,186 S *	1/2007	Tanner .....	D9/422
D331,073 S *	11/1992	Dotterman et al. ....	D19/86	D542,529 S *	5/2007	Peart et al. ....	D3/276
D334,212 S *	3/1993	Dotterman et al. ....	D19/86	D543,707 S *	6/2007	Chan .....	D6/312
D341,935 S *	12/1993	Peersmann .....	D3/294	D553,873 S *	10/2007	Fujino et al. ....	D6/407
D366,280 S *	1/1996	Henderson .....	D19/52	D558,977 S *	1/2008	Peart et al. ....	D3/294
5,560,476 A *	10/1996	Lee .....	206/38	D578,307 S *	10/2008	Chan et al. ....	D3/295
D411,767 S *	7/1999	Keller .....	D3/273	2008/0142540 A1 *	6/2008	Chang .....	221/259

\* cited by examiner

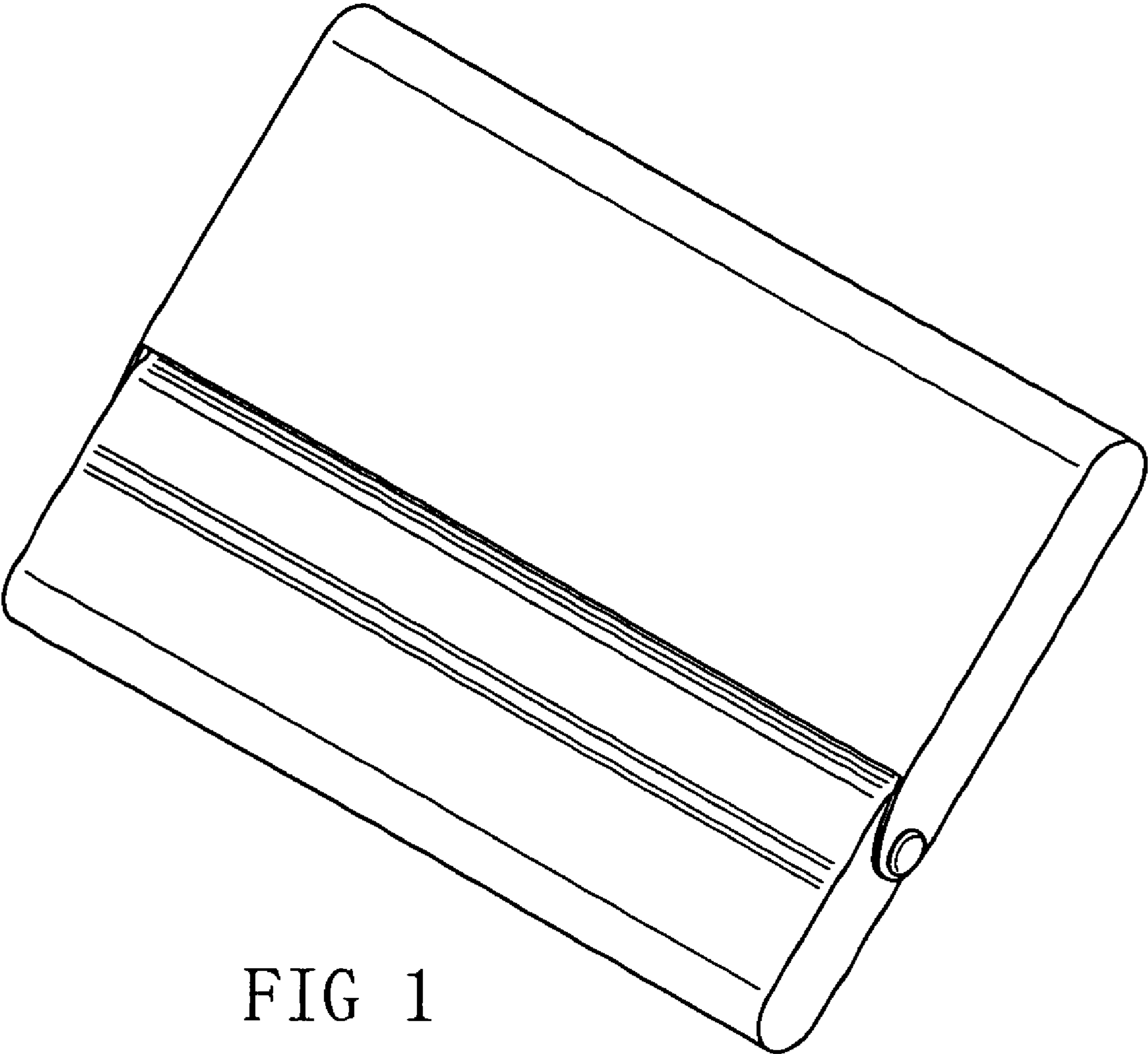


FIG 1

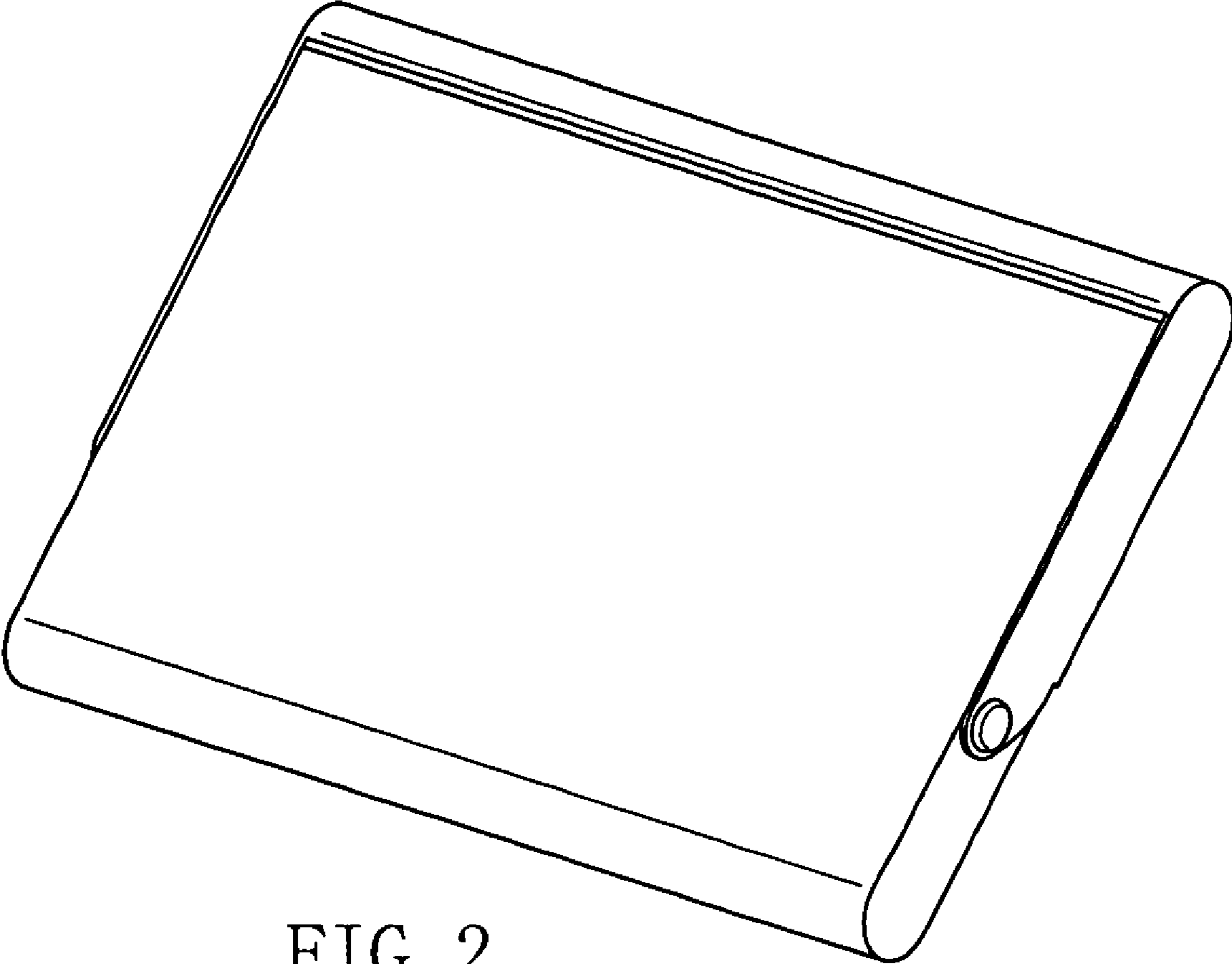


FIG 2



FIG 7

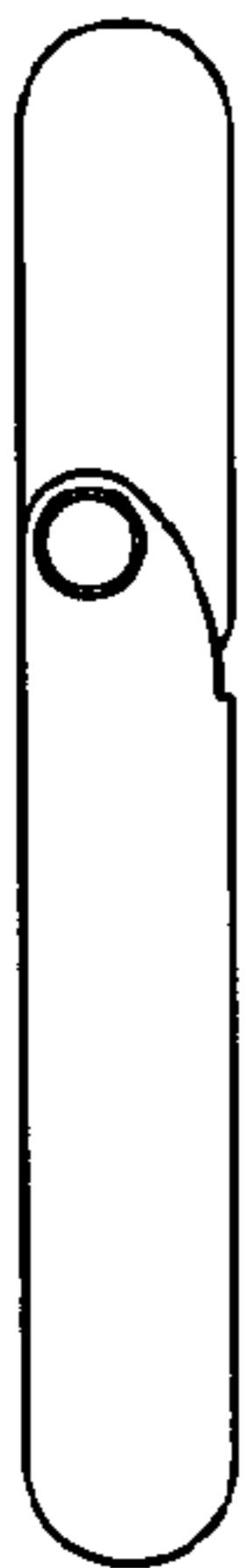


FIG 6

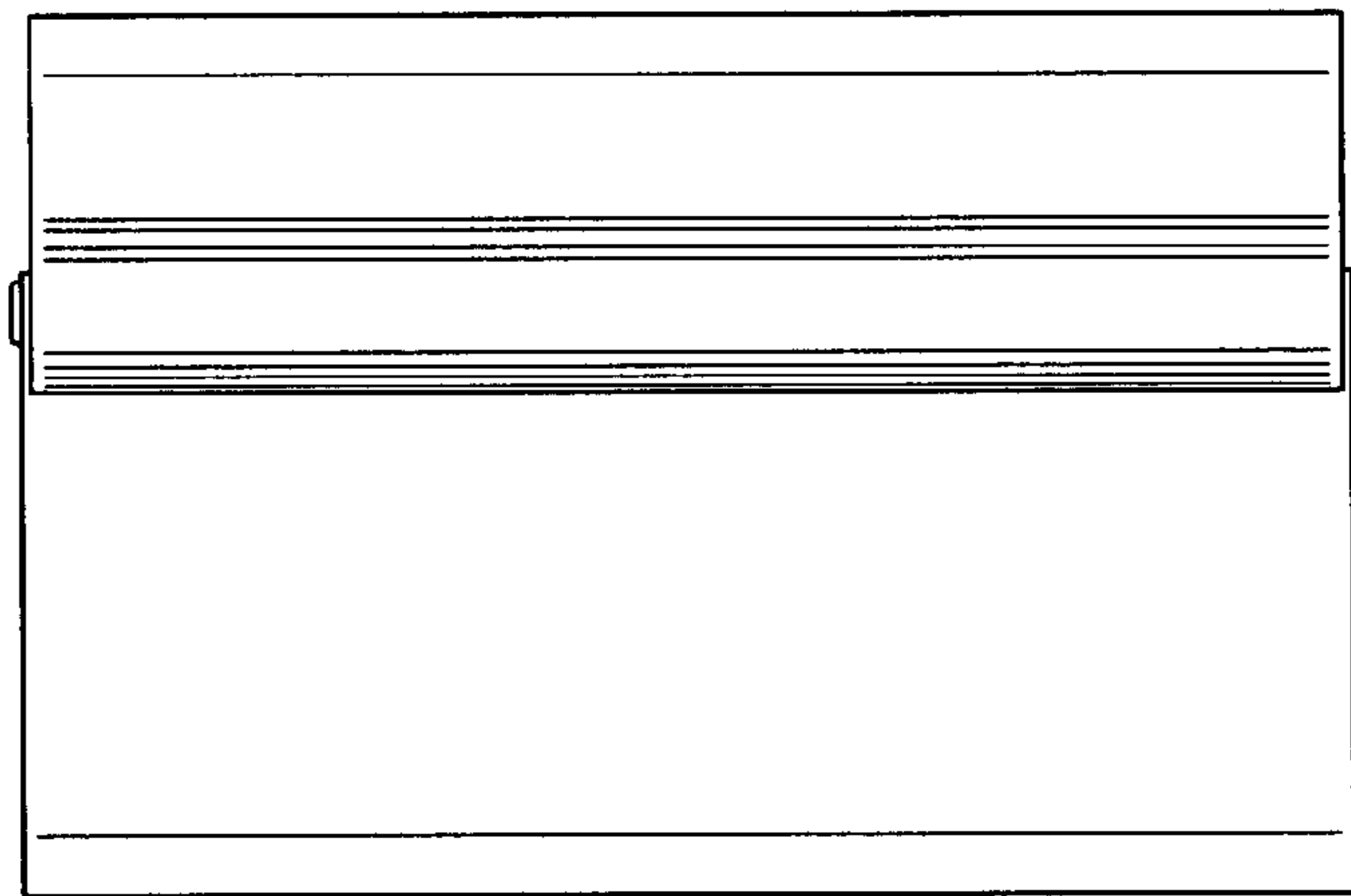


FIG 3



FIG 5



FIG 4

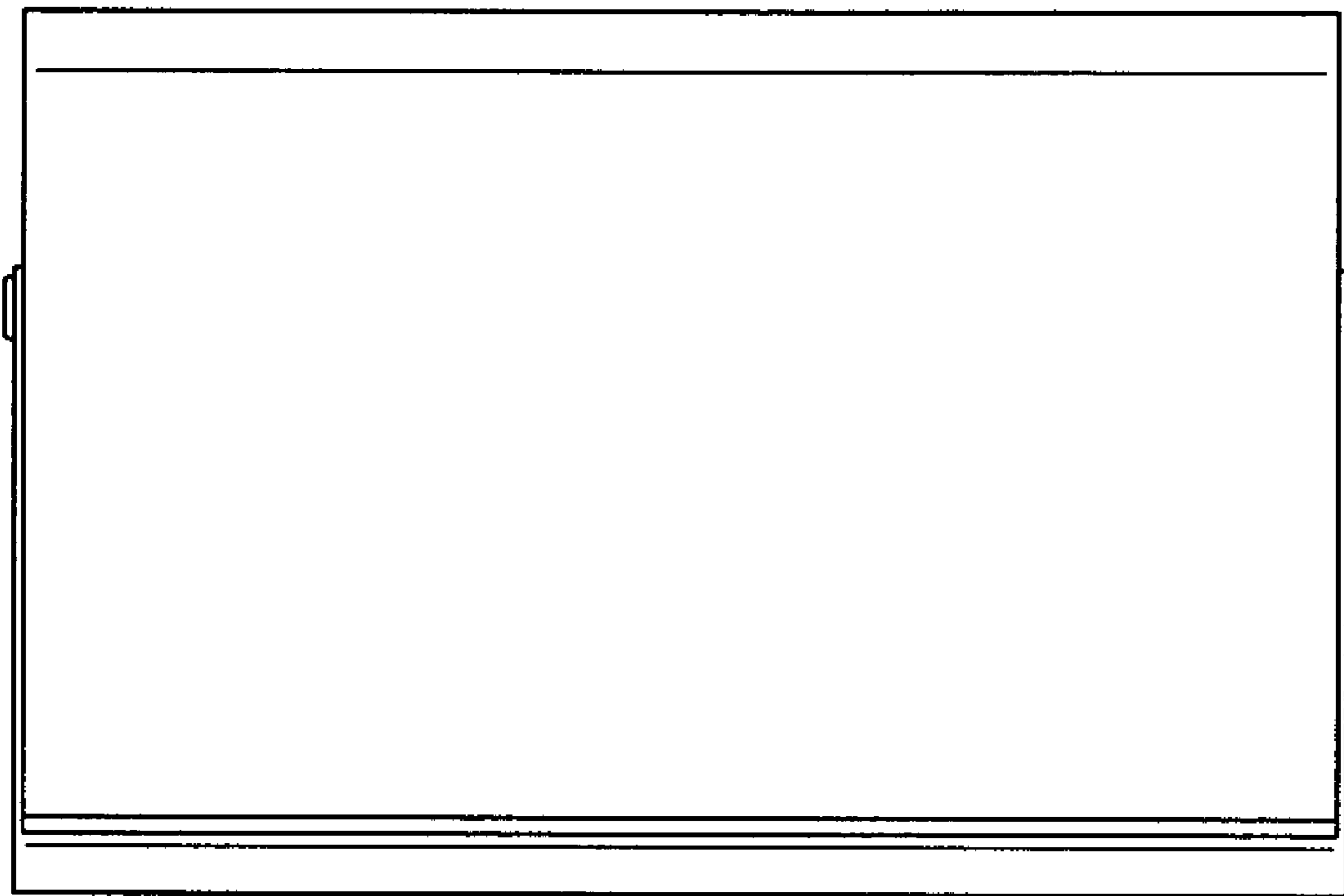


FIG 8

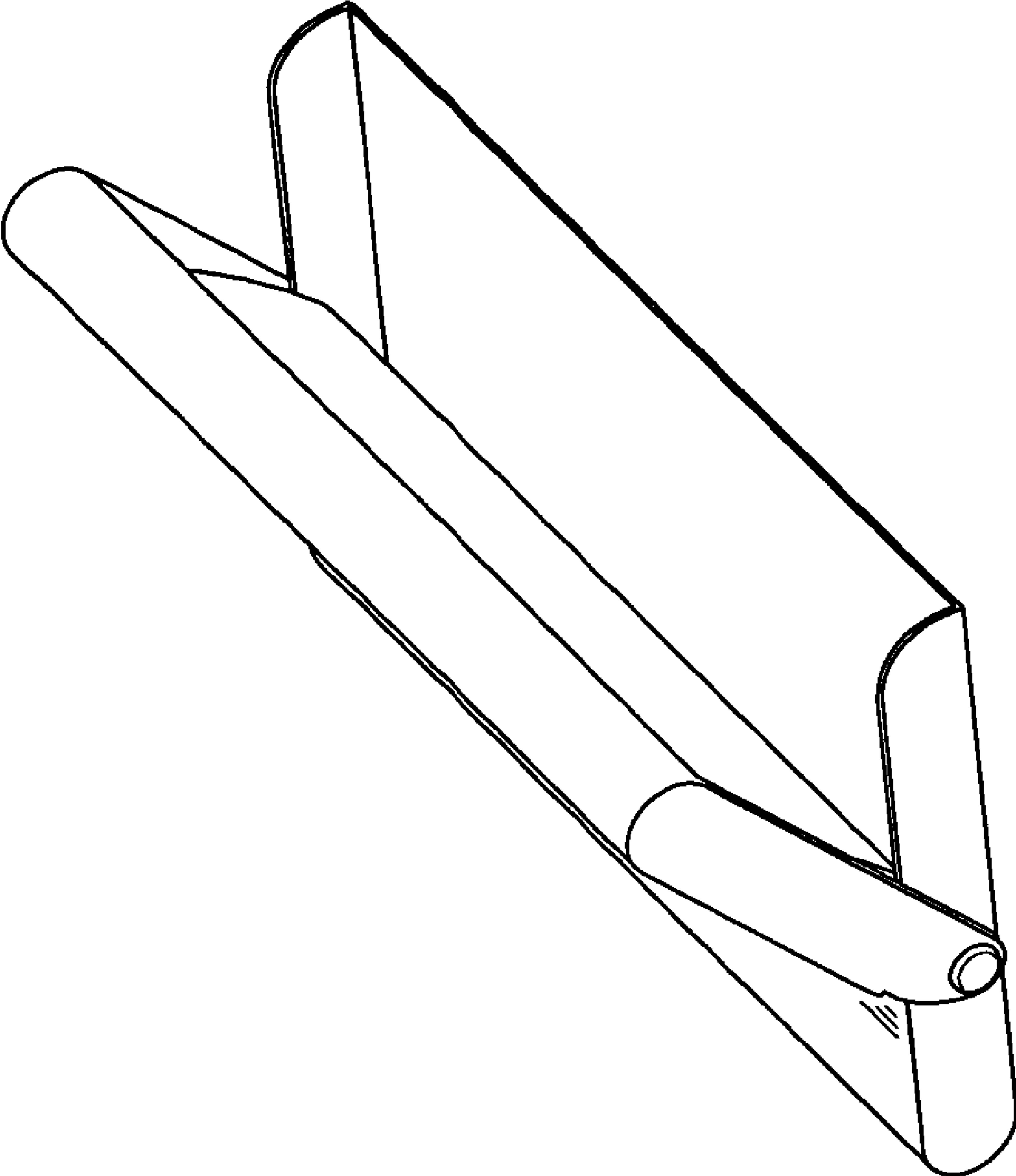


FIG 9

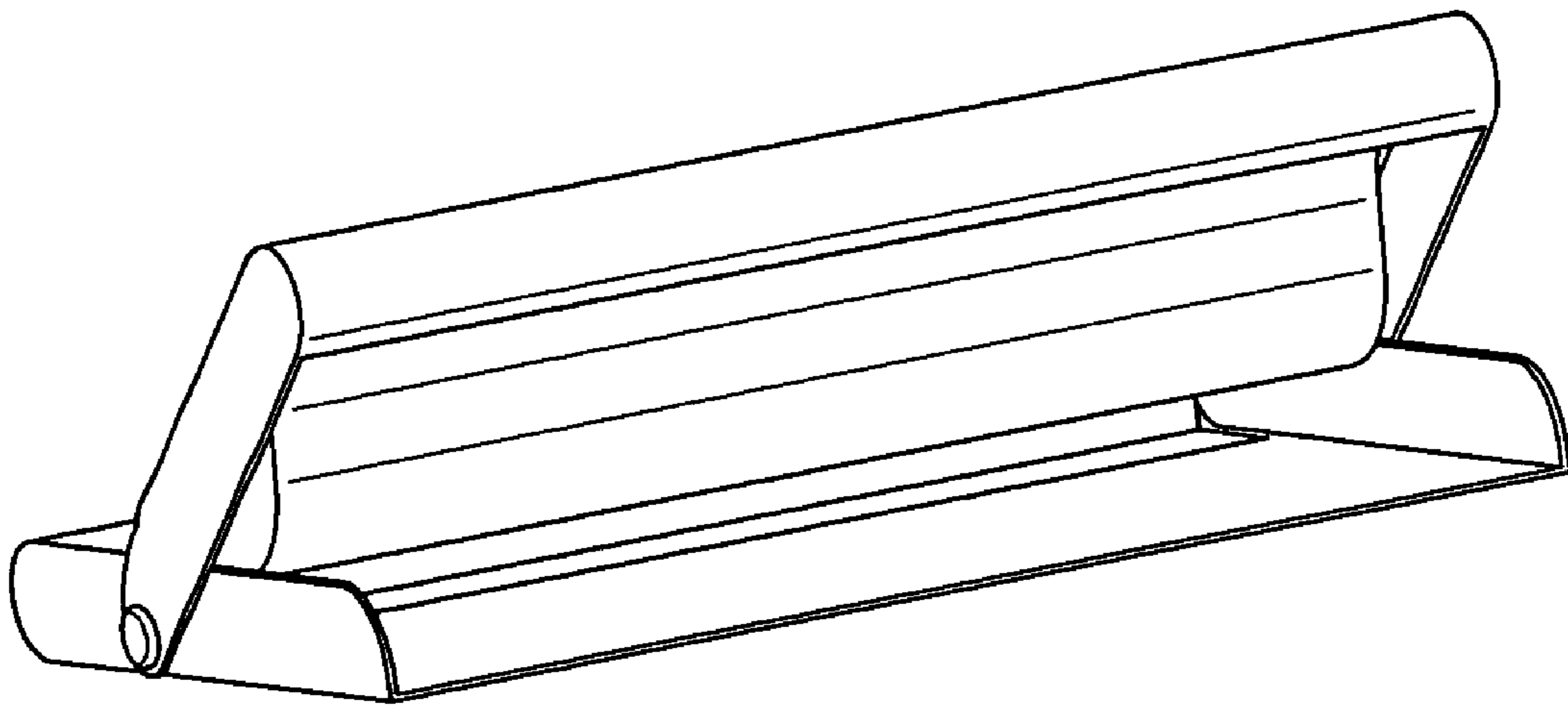


FIG 10



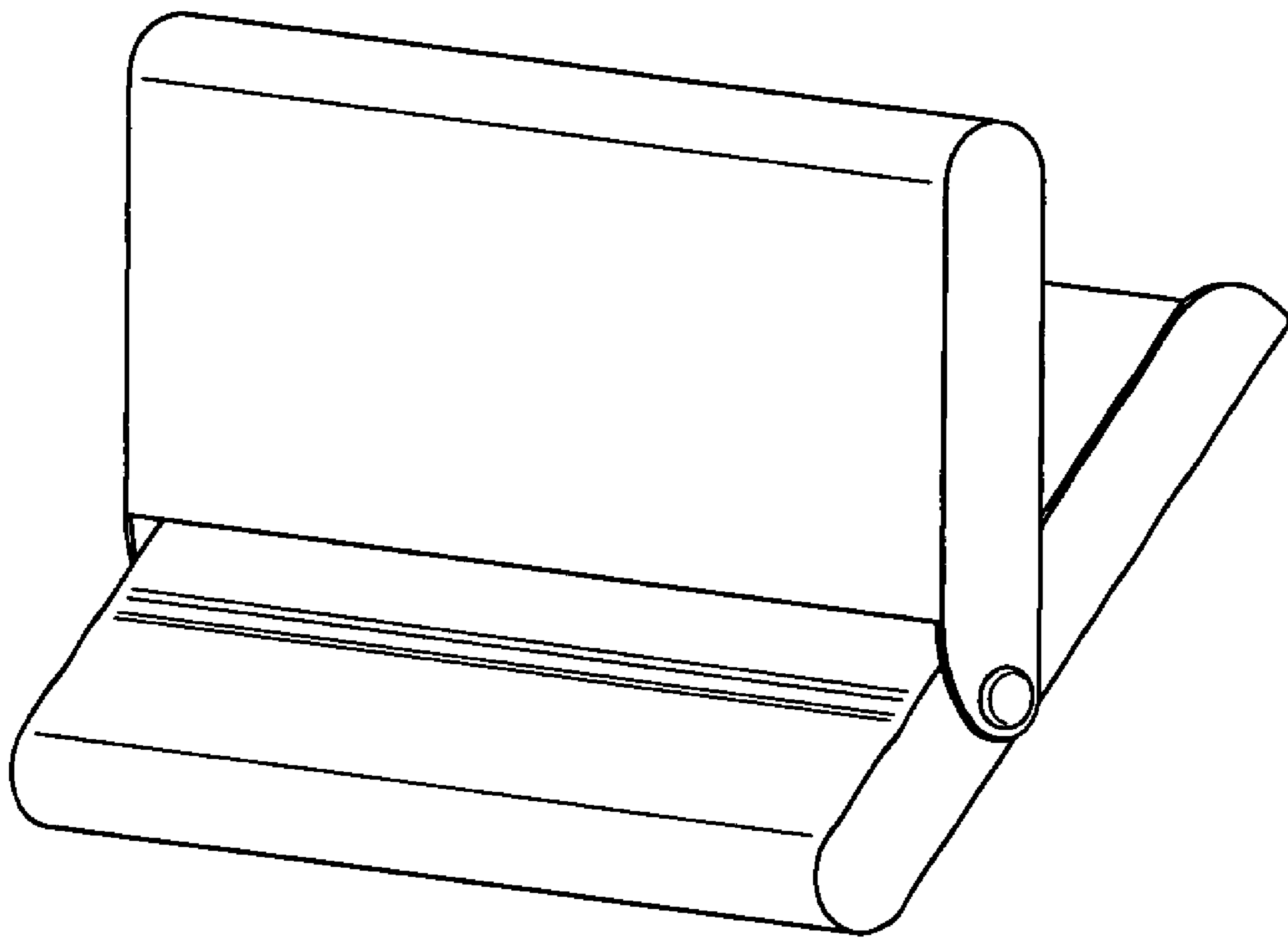


FIG 11

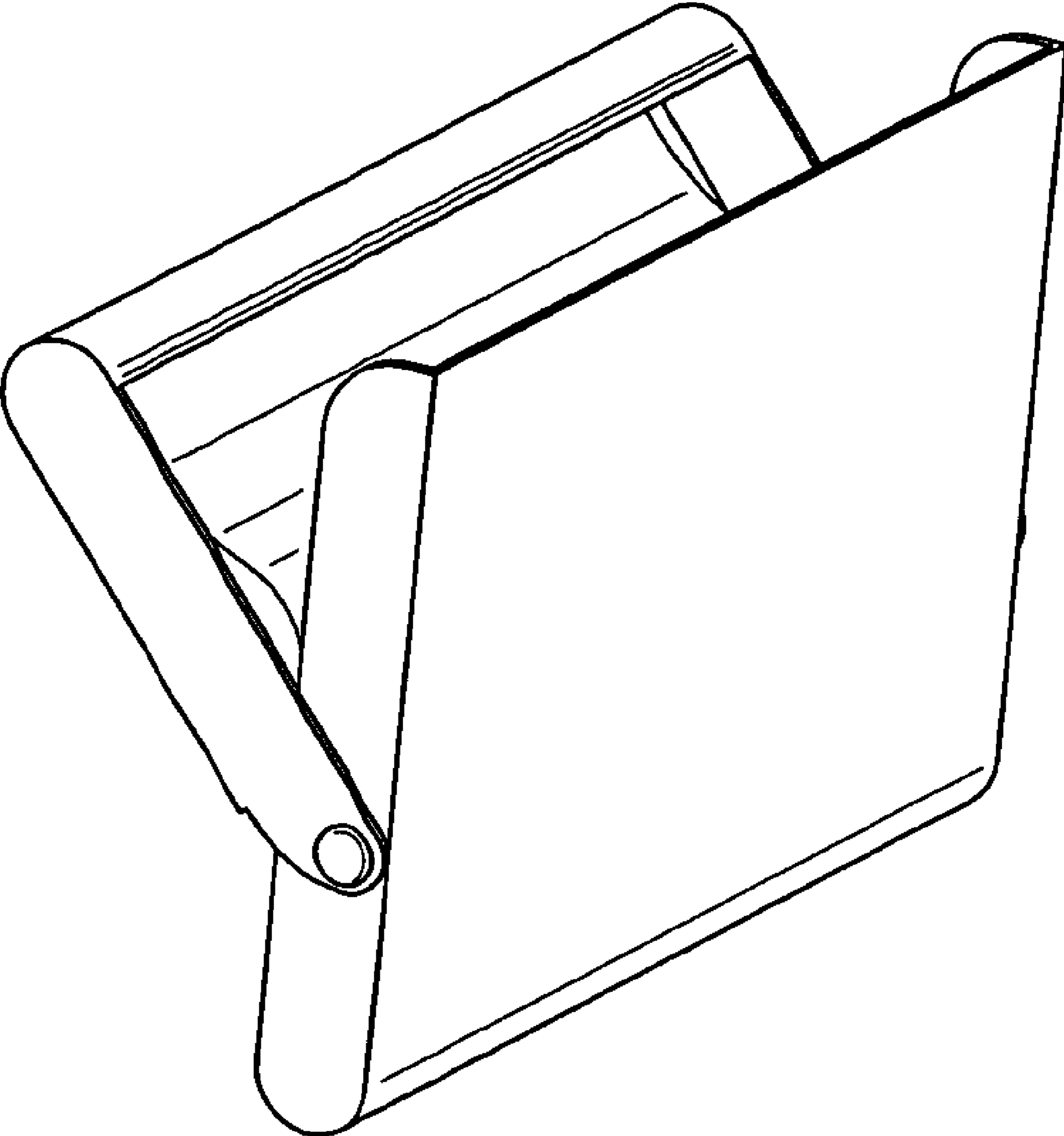


FIG 12

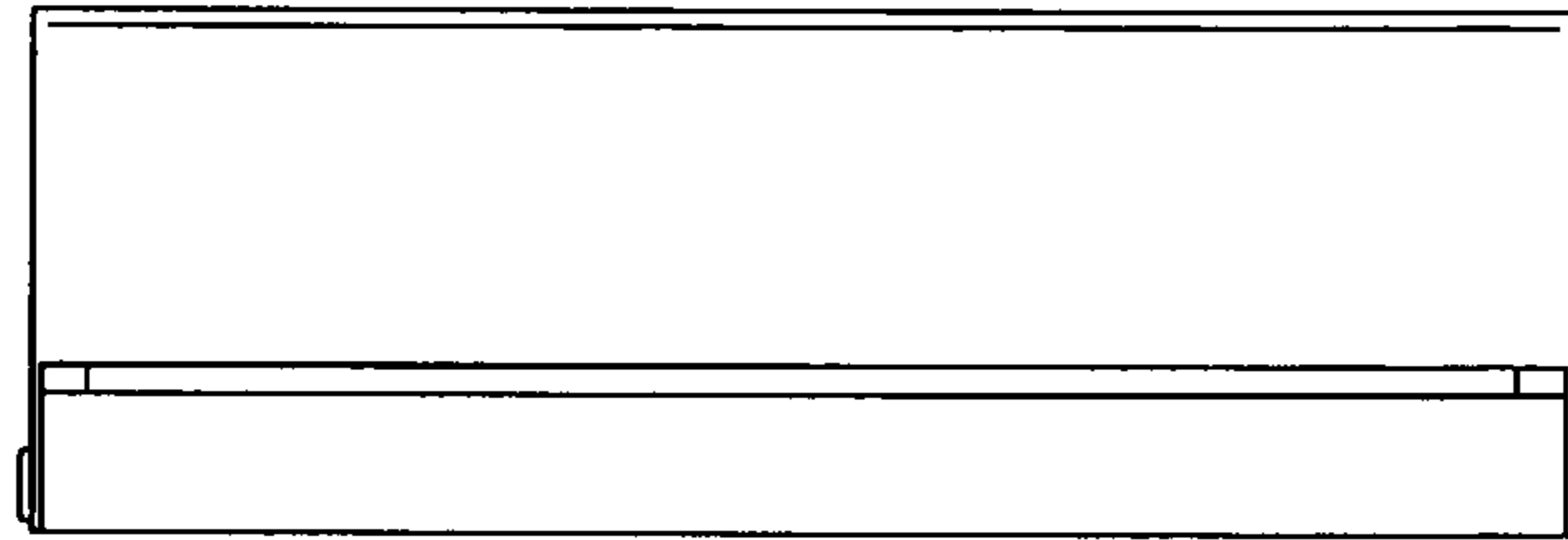


FIG 17

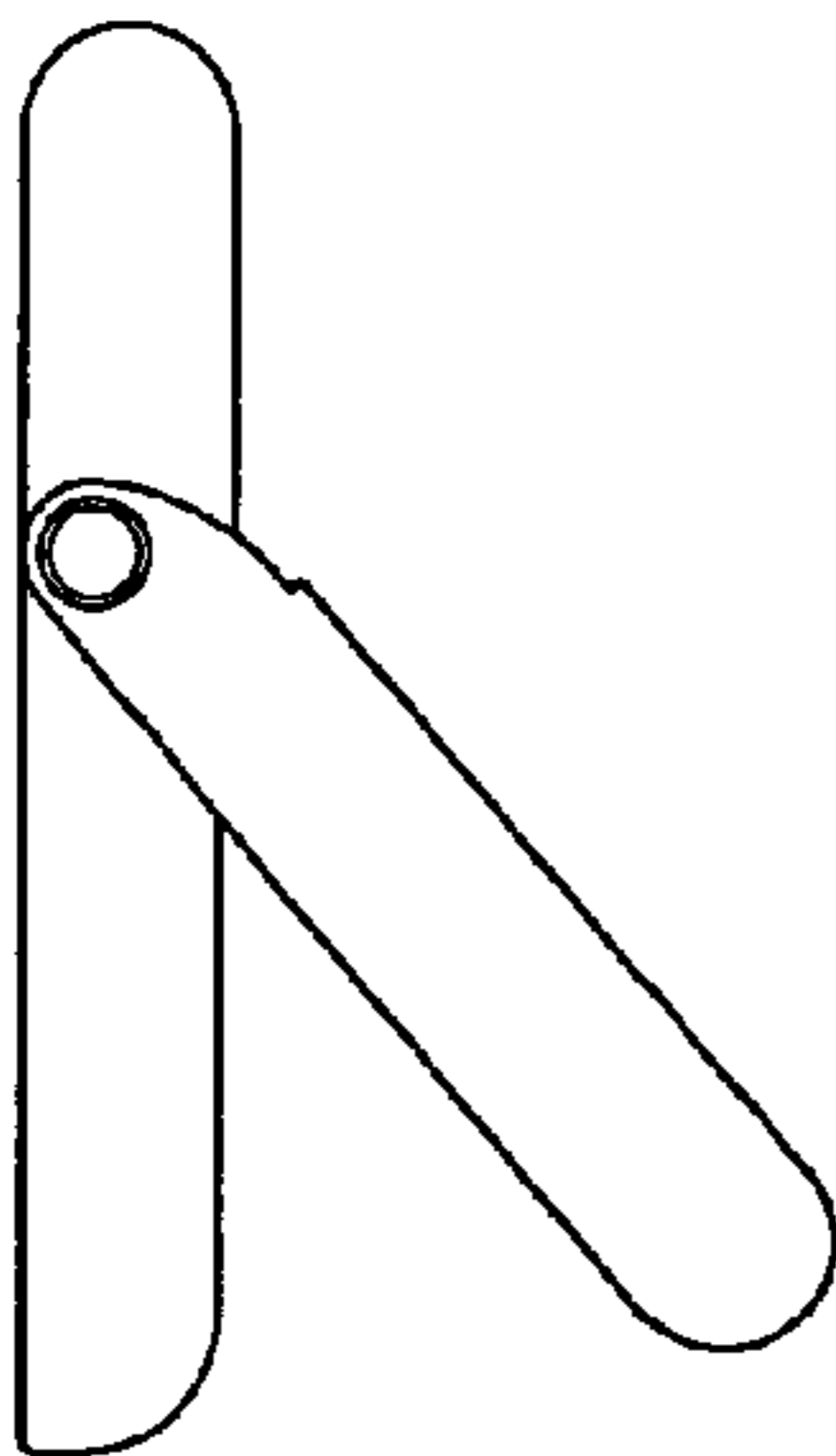


FIG 16

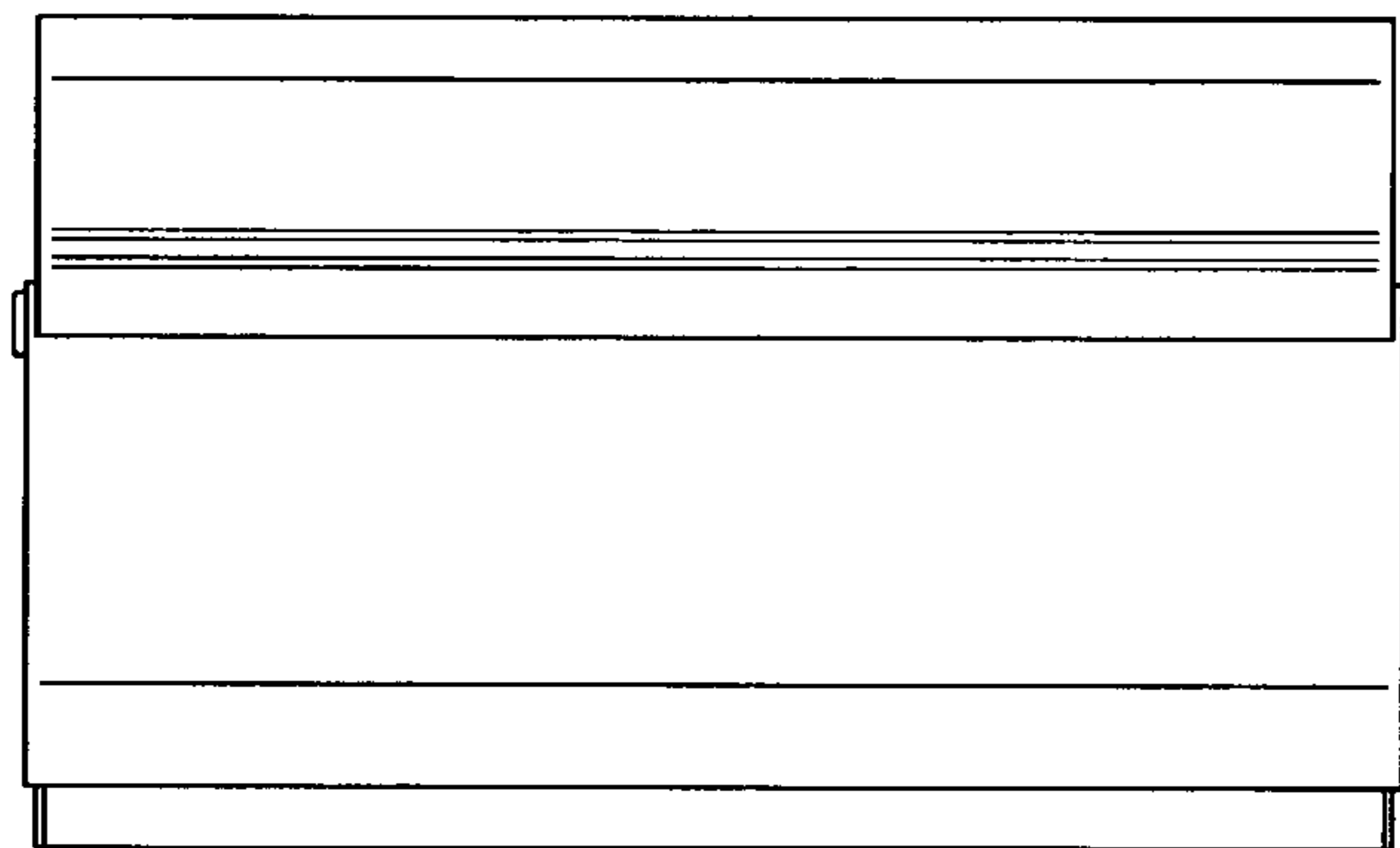


FIG 13

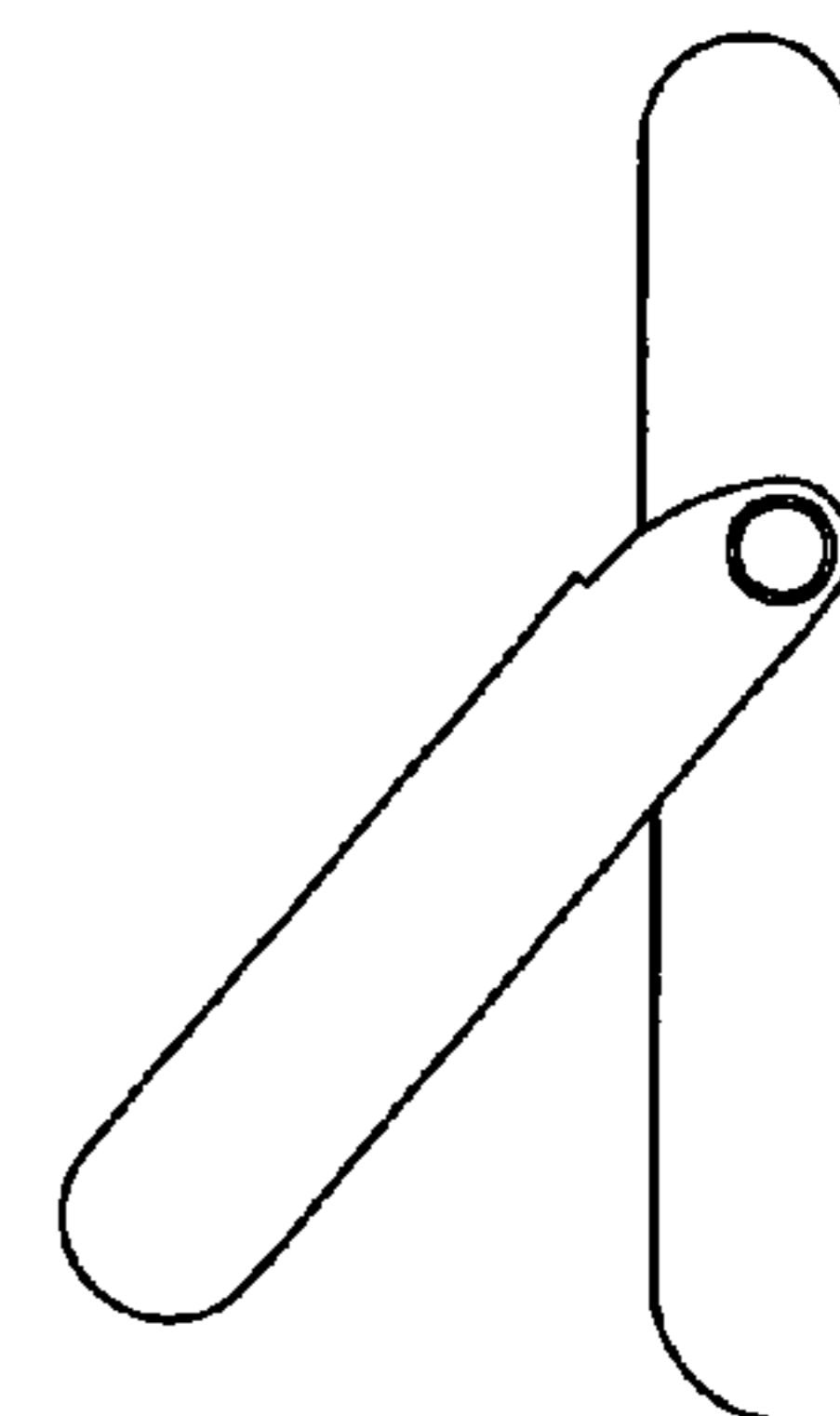


FIG 15

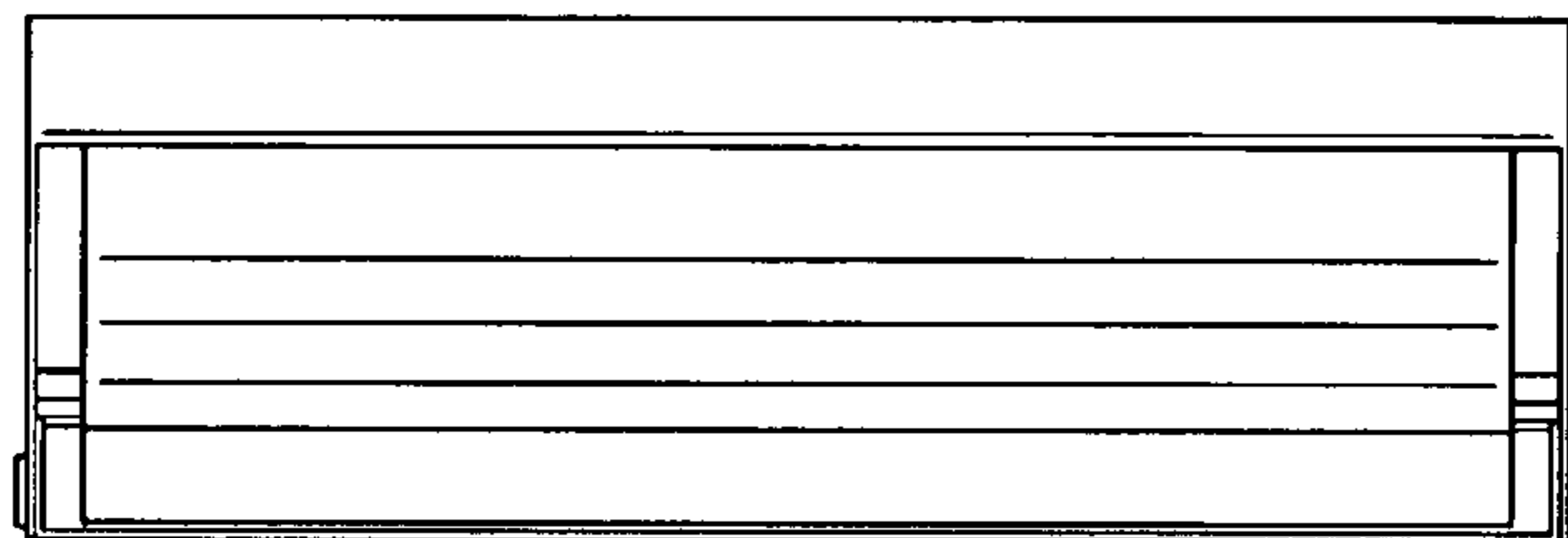


FIG 14

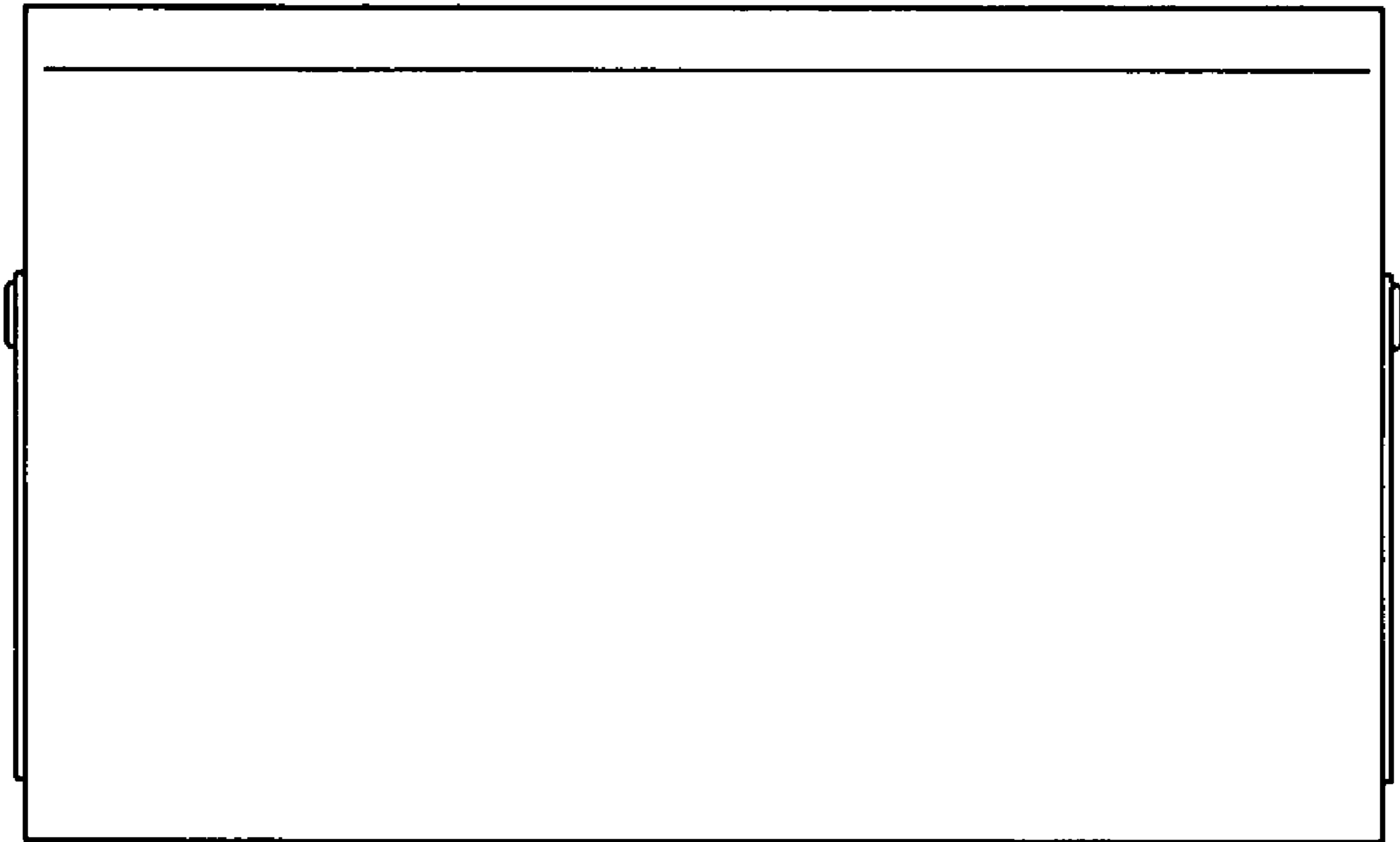


FIG 18