

US00D594508S

(12) **United States Design Patent**  
**Joe et al.**

(10) **Patent No.:** **US D594,508 S**

(45) **Date of Patent:** **\*\* Jun. 16, 2009**

(54) **MULTI-FUNCTION PRINTER**

(75) Inventors: **Mylene Angele Kit Njoek Tjin Wong**  
**Joe, San Diego, CA (US); Daniel L.**  
**Barr, San Diego, CA (US)**

(73) Assignee: **Hewlett-Packard Development**  
**Company, L.P., Houston, TX (US)**

(\*\*) Term: **14 Years**

(21) Appl. No.: **29/304,720**

(22) Filed: **Mar. 6, 2008**

(51) **LOC (9) Cl.** ..... **14-02**

(52) **U.S. Cl.** ..... **D18/55**

(58) **Field of Classification Search** ..... D18/36-39,  
D18/19, 50, 54, 54.1, 55; D14/420-425,  
D14/463-470; 400/613, 613.1-613.4, 690.1-690.4,  
400/691-694

See application file for complete search history.

(56) **References Cited**

**U.S. PATENT DOCUMENTS**

D532,450 S \* 11/2006 Smith et al. .... D18/55  
D550,279 S \* 9/2007 Tani ..... D18/50

D561,250 S \* 2/2008 Smith et al. .... D18/55  
D561,251 S 2/2008 Tjin Wong Joe et al.  
D573,633 S \* 7/2008 Laidlaw et al. .... D18/55

\* cited by examiner

*Primary Examiner*—Cathy Anne MacCormac

(57) **CLAIM**

The ornamental design for a multi-function printer, substantially as shown and described.

**DESCRIPTION**

FIG. 1 is a left-front perspective view of a multi-function printer showing the design;

FIG. 2 is a front view thereof;

FIG. 3 is a rear view thereof;

FIG. 4 is a left side view thereof;

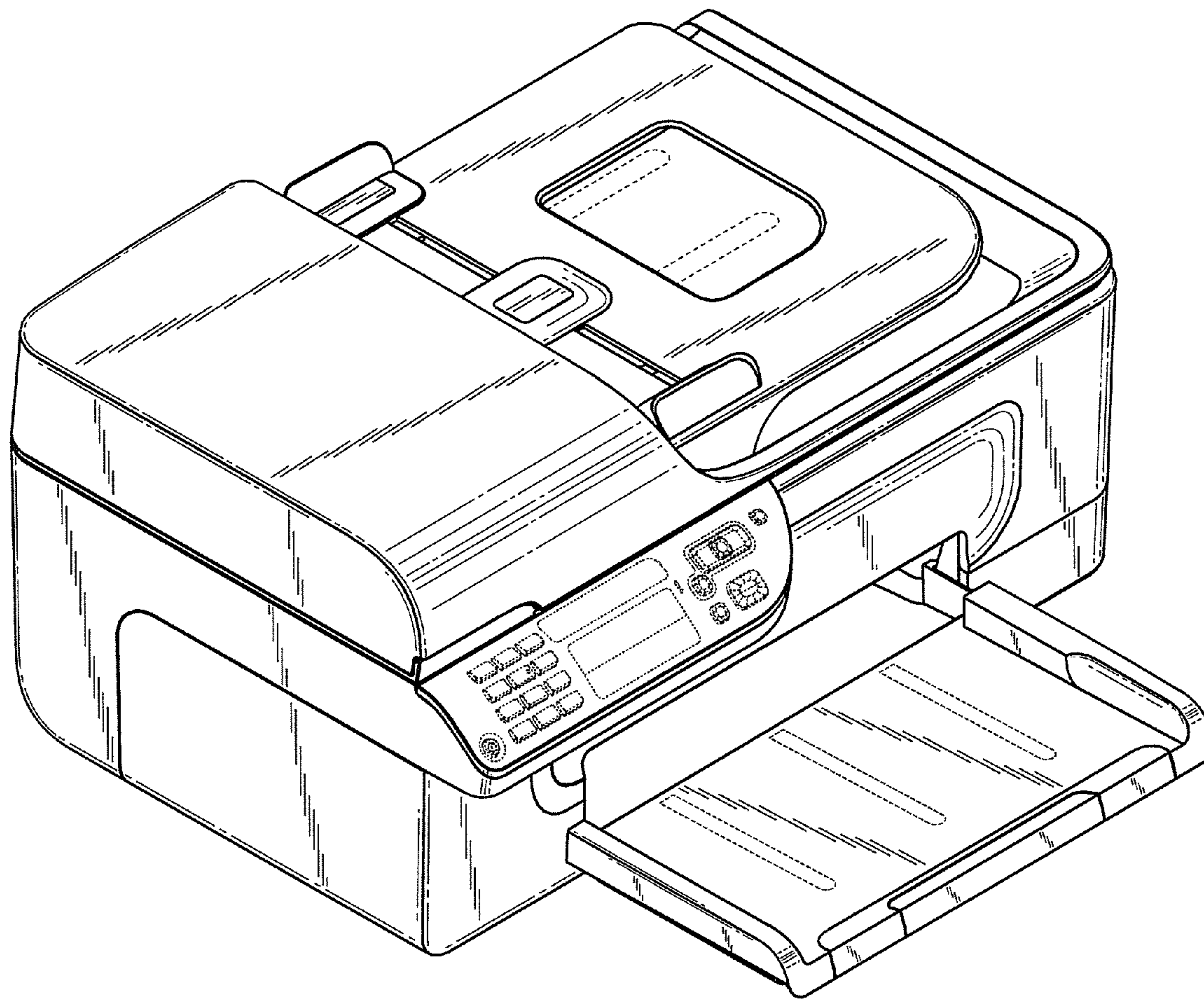
FIG. 5 is a right side view thereof;

FIG. 6 is a top view thereof; and,

FIG. 7 is a bottom view thereof.

The portions shown in broken lines are for illustrative purposes only and form no part of the claimed design.

**1 Claim, 7 Drawing Sheets**



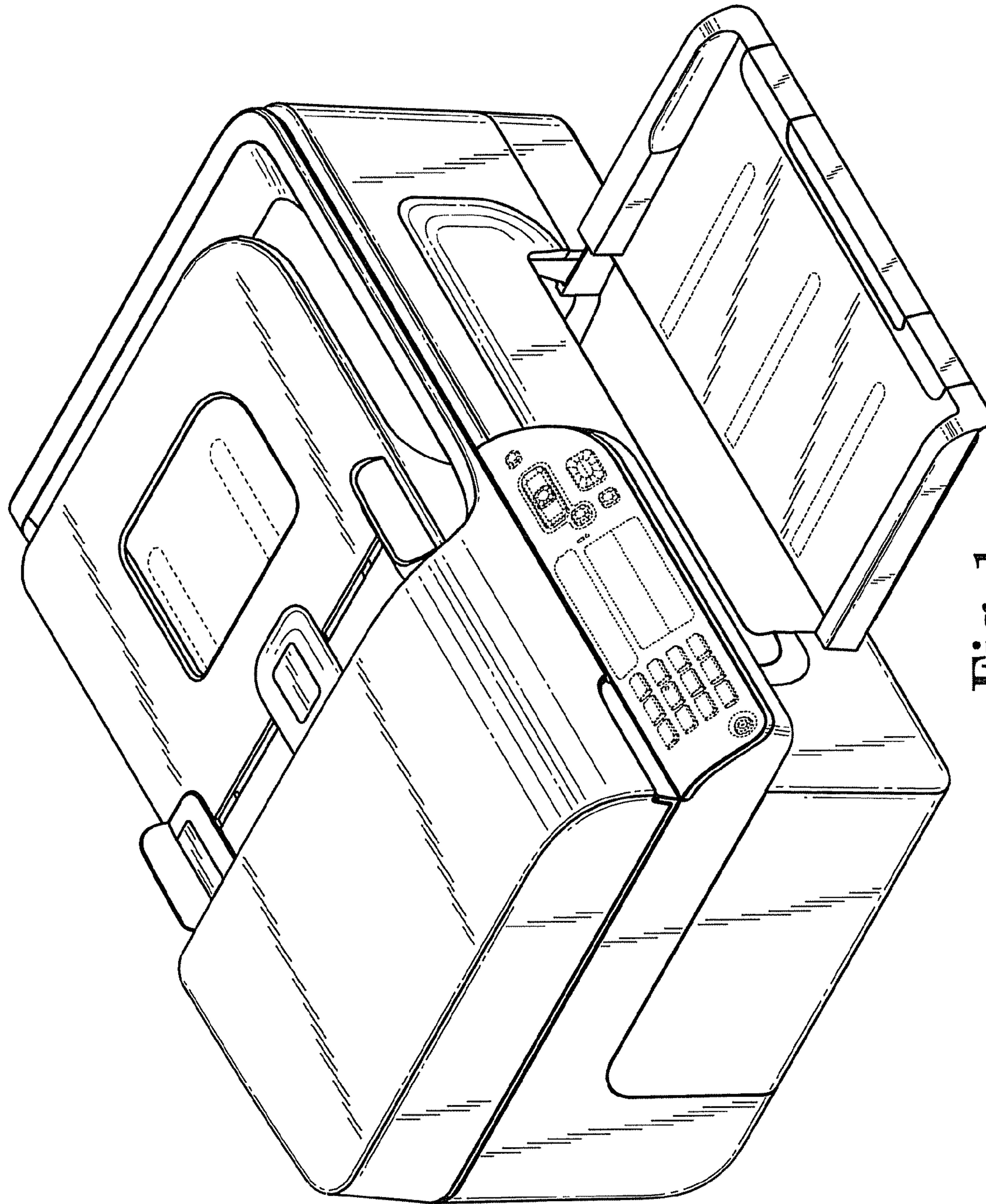


Fig. 1



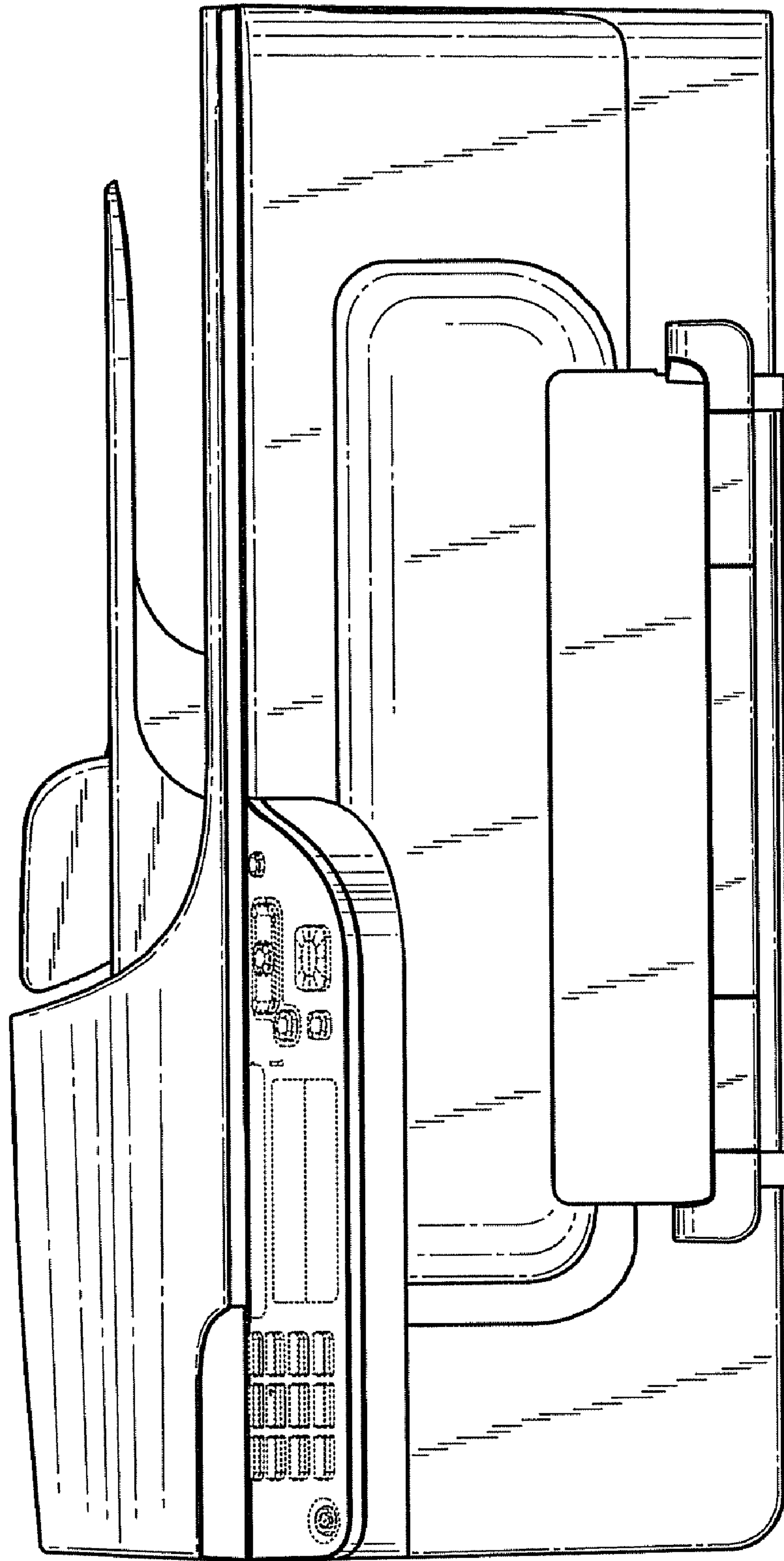


Fig. 2

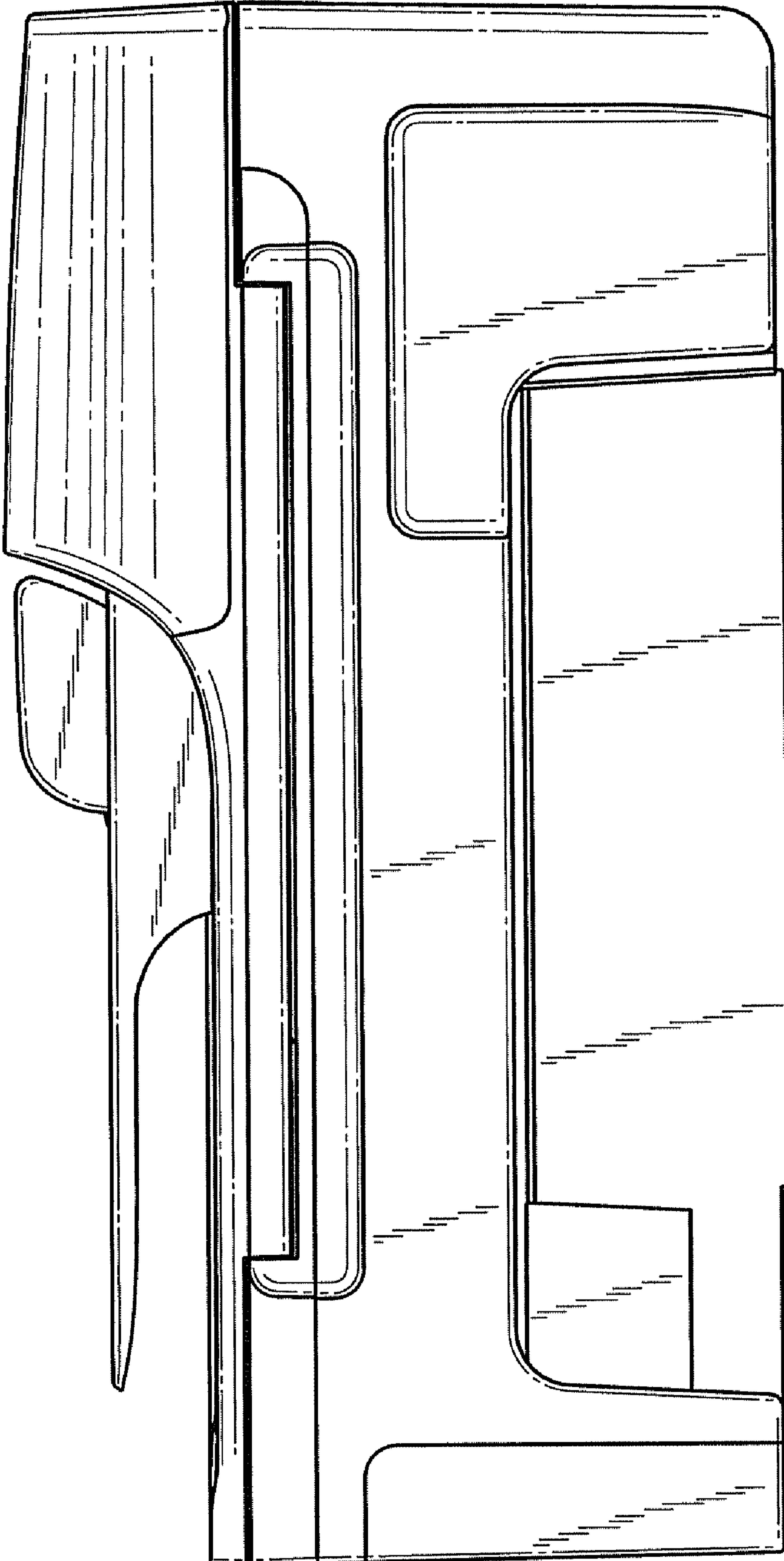


Fig. 3

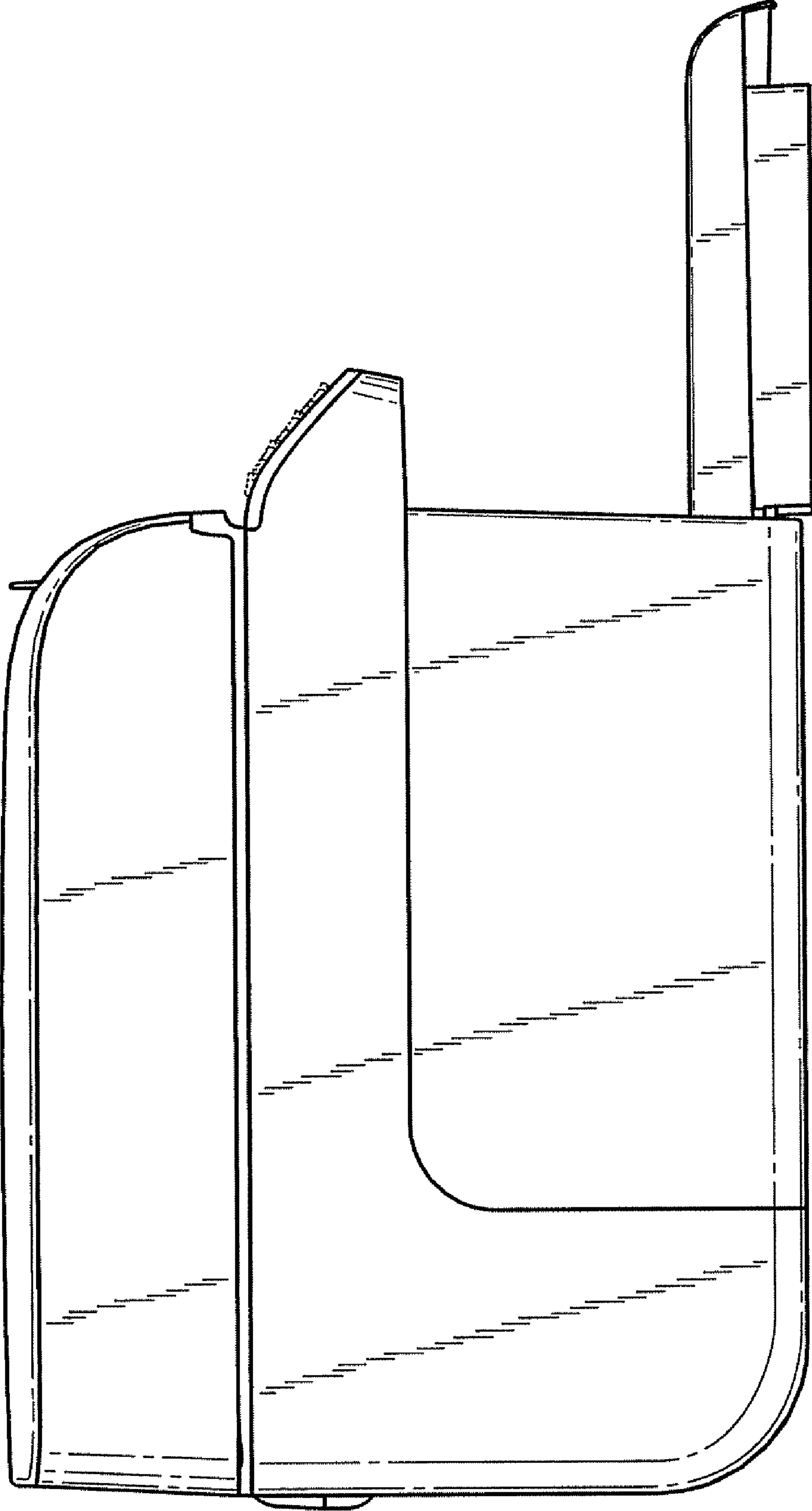


Fig. 4

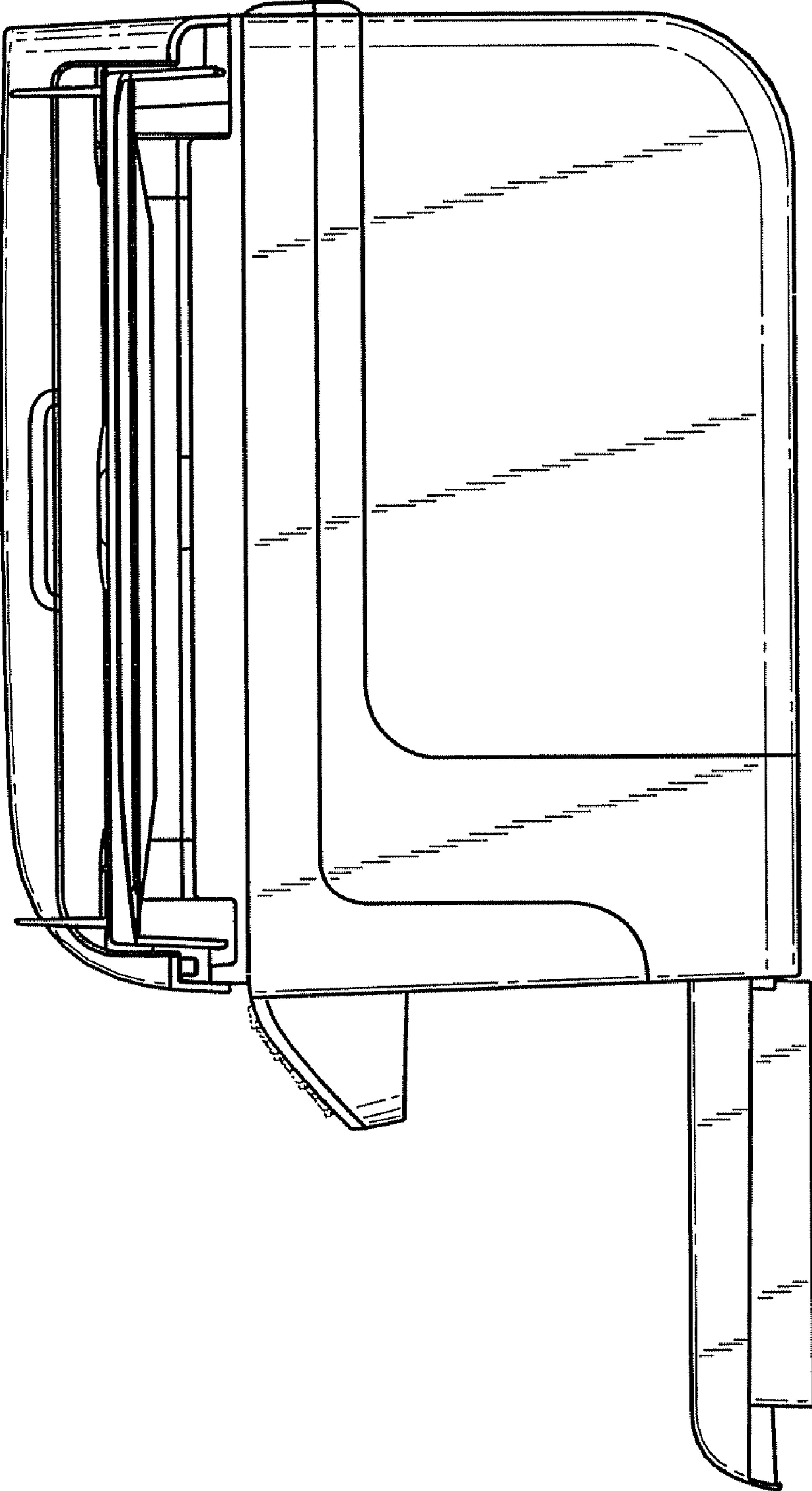


Fig. 5



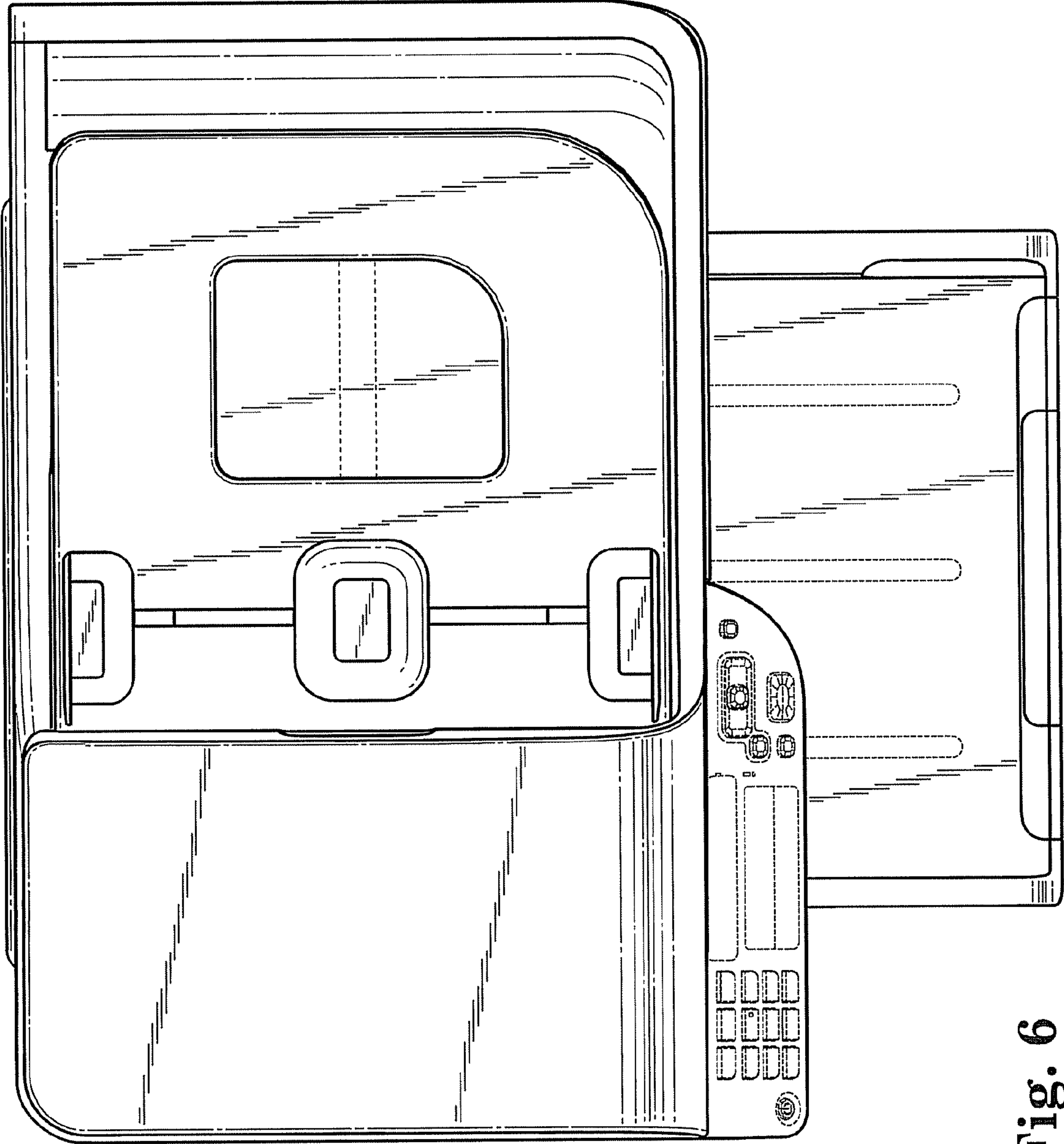


Fig. 6

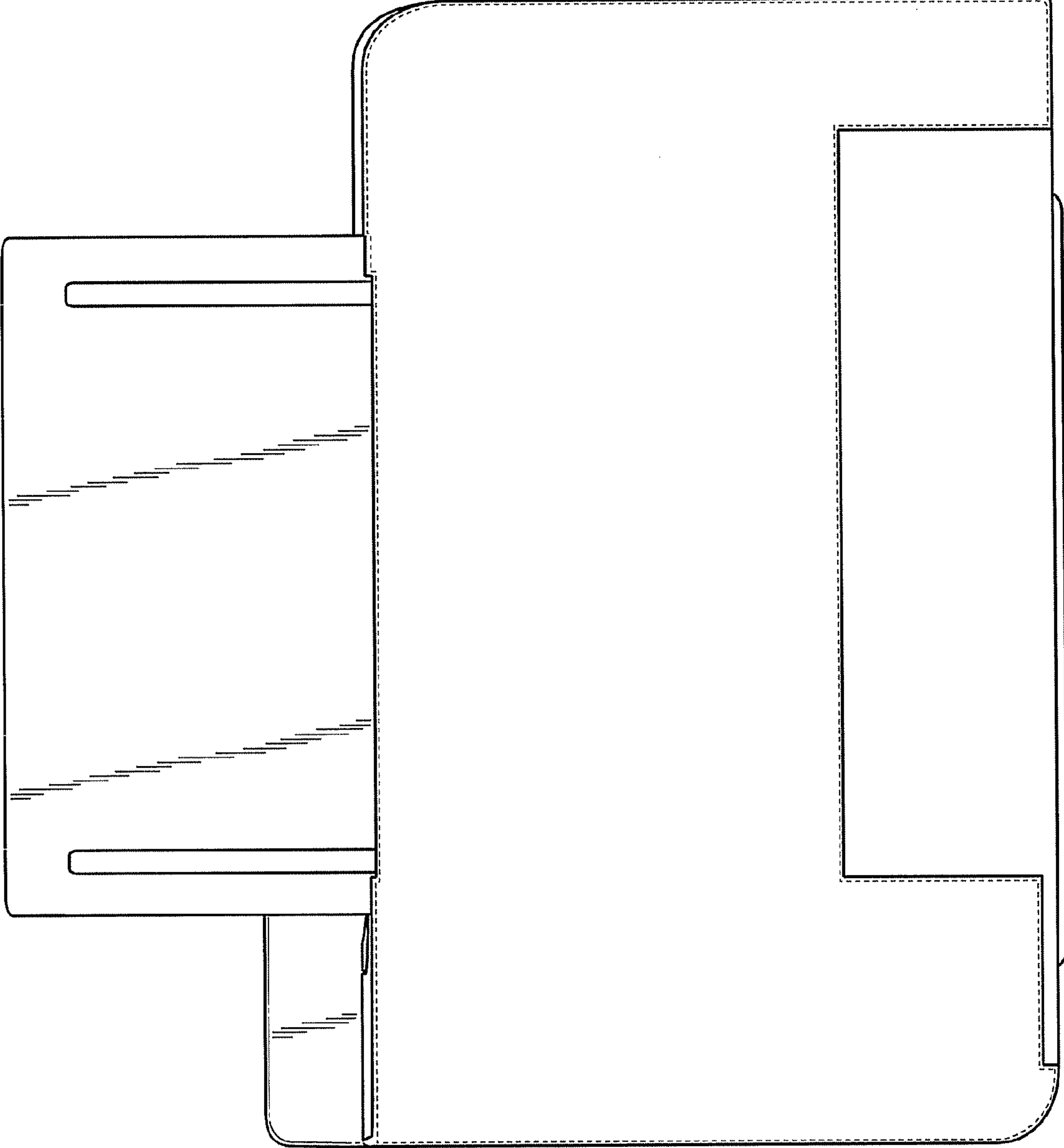


Fig. 7