



US00D594507S

(12) **United States Design Patent**
Kinoshita et al.

(10) **Patent No.:** **US D594,507 S**
(45) **Date of Patent:** **** Jun. 16, 2009**

(54) **TONER CARTRIDGE**

(75) Inventors: **Takeru Kinoshita**, Toyokawa (JP);
Junichi Hashimoto, Toyohashi (JP)

(73) Assignee: **Konica Minolta Business Technologies, Inc.**, Chiyoda-Ku, Tokyo (JP)

(**) Term: **14 Years**

(21) Appl. No.: **29/290,763**

(22) Filed: **Jan. 10, 2008**

(30) **Foreign Application Priority Data**

Jul. 10, 2007 (JP) 2007-018706
Jul. 10, 2007 (JP) 2007-018707

(51) **LOC (9) Cl.** **16-03**

(52) **U.S. Cl.** **D18/43**

(58) **Field of Classification Search** D14/462,
D14/471, 474, 475; D18/12, 36, 40, 43,
D18/44, 56; 222/DIG. 1; 347/49, 197, 214,
347/222; 399/24-27, 107-112, 119, 121,
399/122, 222-224

See application file for complete search history.

(56) **References Cited**

U.S. PATENT DOCUMENTS

5,079,589 A * 1/1992 Shibata et al. 399/119
D524,850 S * 7/2006 Hashimoto et al. D18/43

D534,576 S * 1/2007 Hashimoto et al. D18/43
D565,646 S * 4/2008 Yamamoto et al. D18/43
D567,282 S * 4/2008 Yamamoto et al. D18/43
D574,038 S * 7/2008 Sakabe D18/43

* cited by examiner

Primary Examiner—Caron Veynar

Assistant Examiner—Garth Rademaker

(74) *Attorney, Agent, or Firm*—Buchanan Ingersoll & Rooney PC

(57) **CLAIM**

The ornamental design for a toner cartridge, as shown.

DESCRIPTION

FIG. 1 is a top, front and right side perspective view of a toner cartridge showing our new design;

FIG. 2 is a top, front and left side perspective view thereof;

FIG. 3 is a front elevational view thereof;

FIG. 4 is a rear elevational view thereof;

FIG. 5 is a top plan view thereof;

FIG. 6 is a bottom plan view thereof;

FIG. 7 is a left side view thereof; and,

FIG. 8 is a right side view thereof.

The broken lines shown in the drawings illustrate environmental subject matter only and form no part of the claimed design.

1 Claim, 5 Drawing Sheets

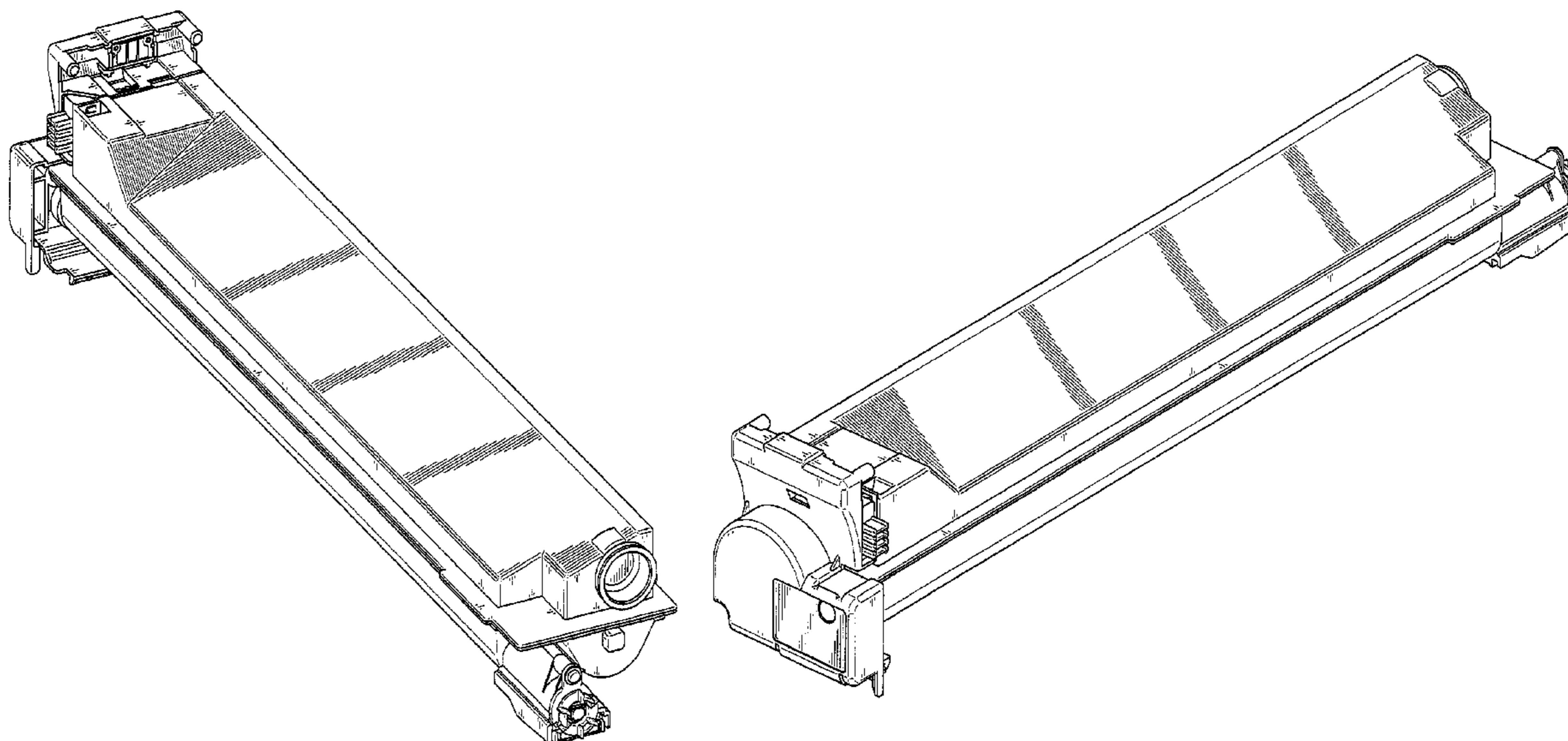
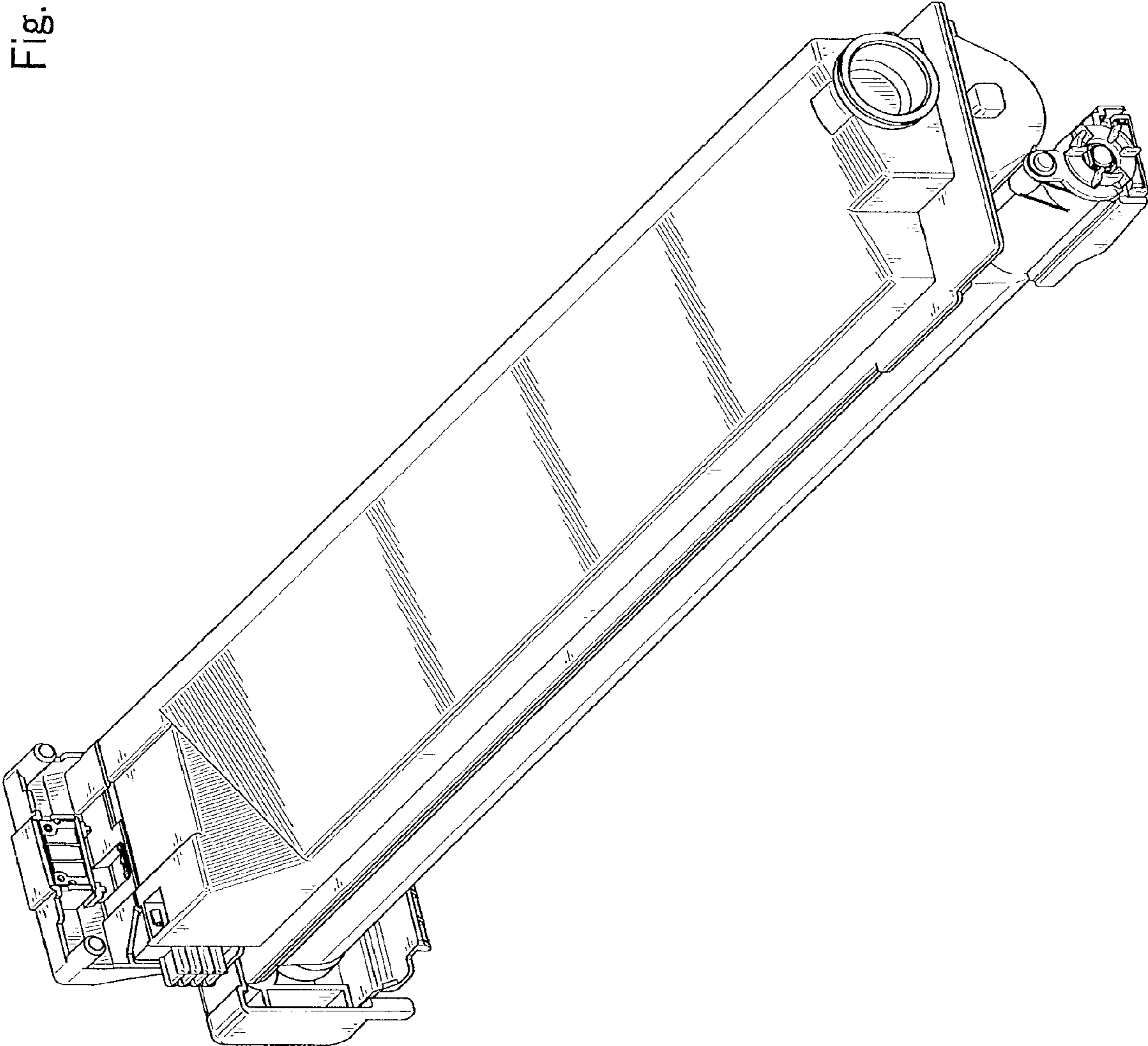


Fig. 1



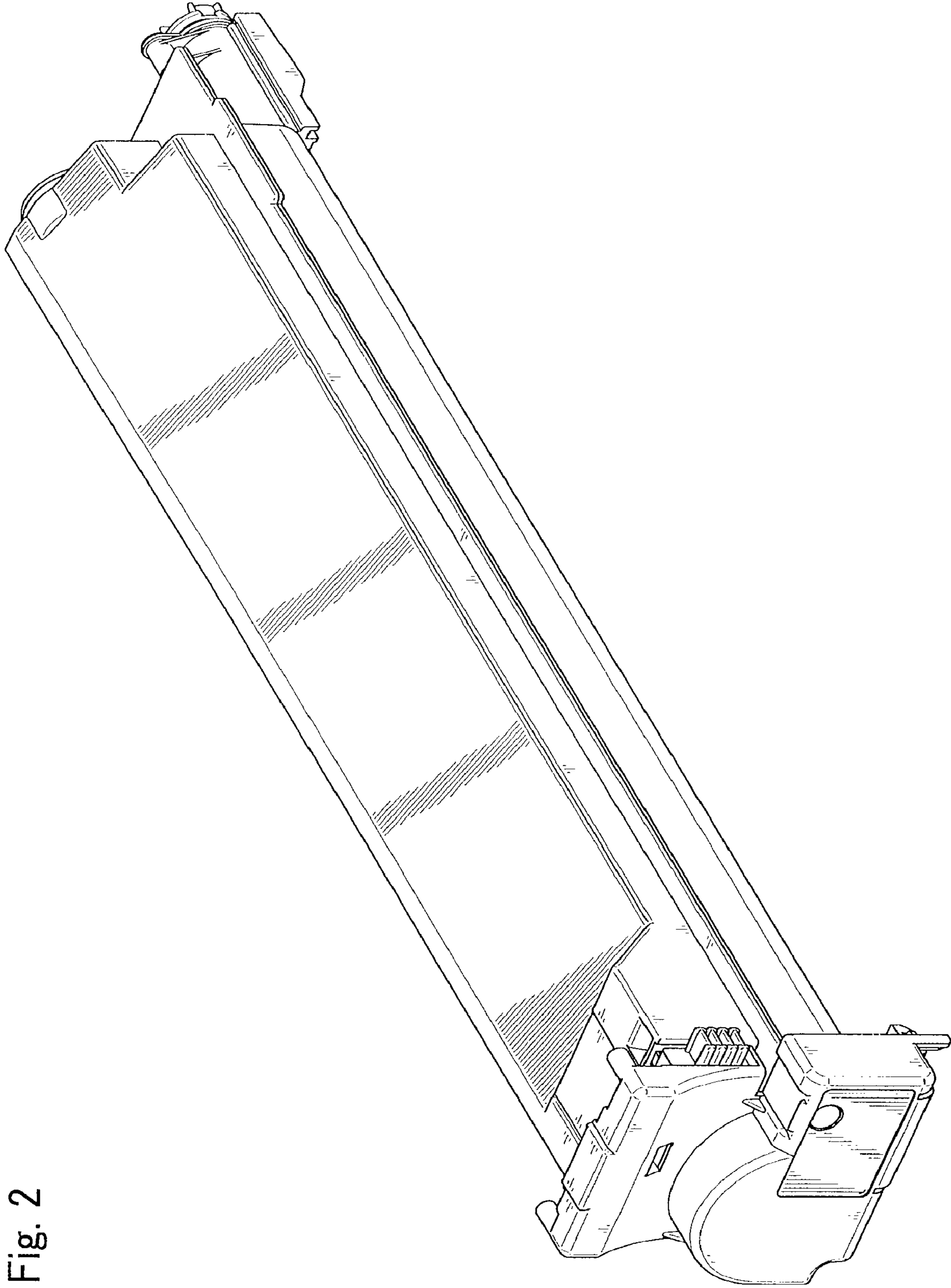


Fig. 2

Fig. 3

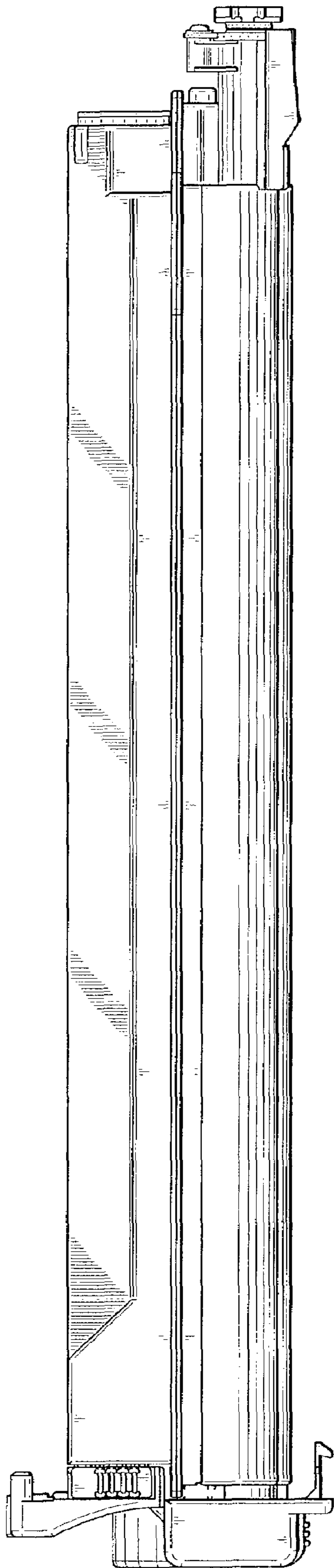


Fig. 4

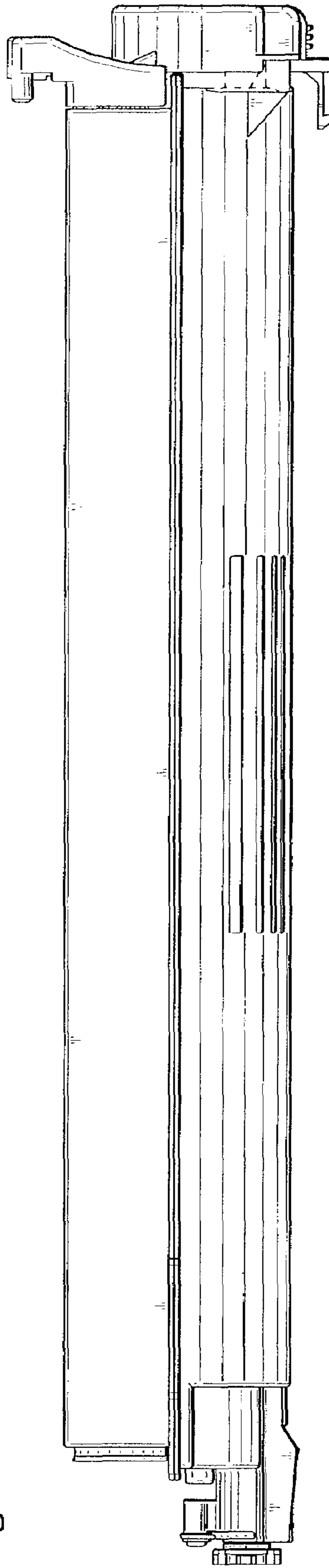


Fig. 5

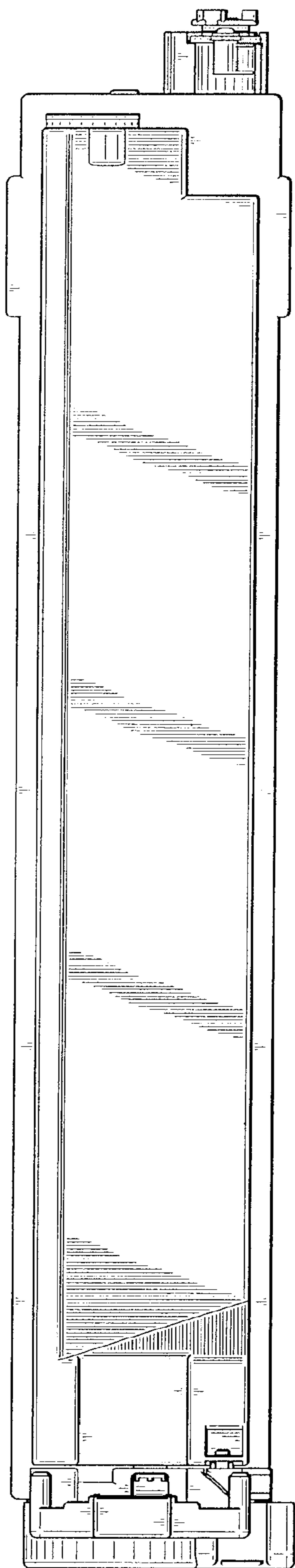


Fig. 6

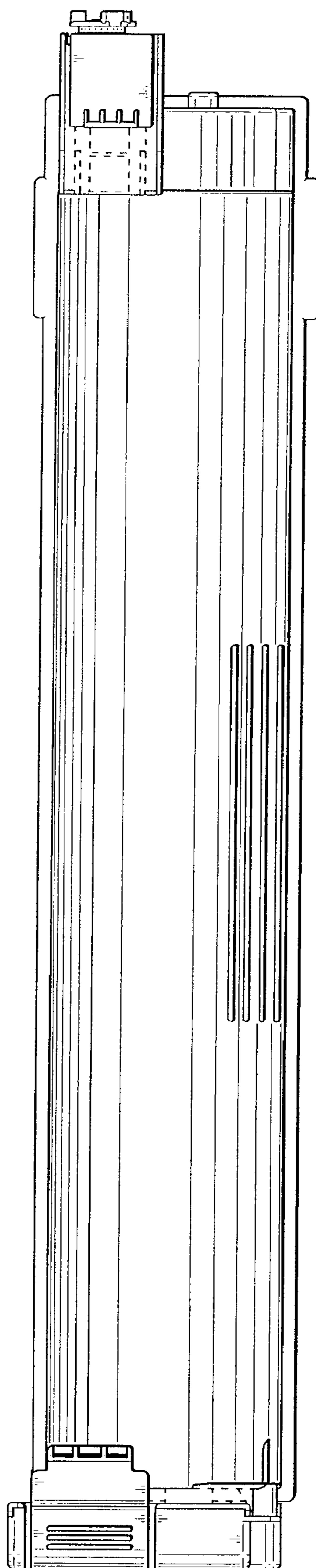


Fig. 8

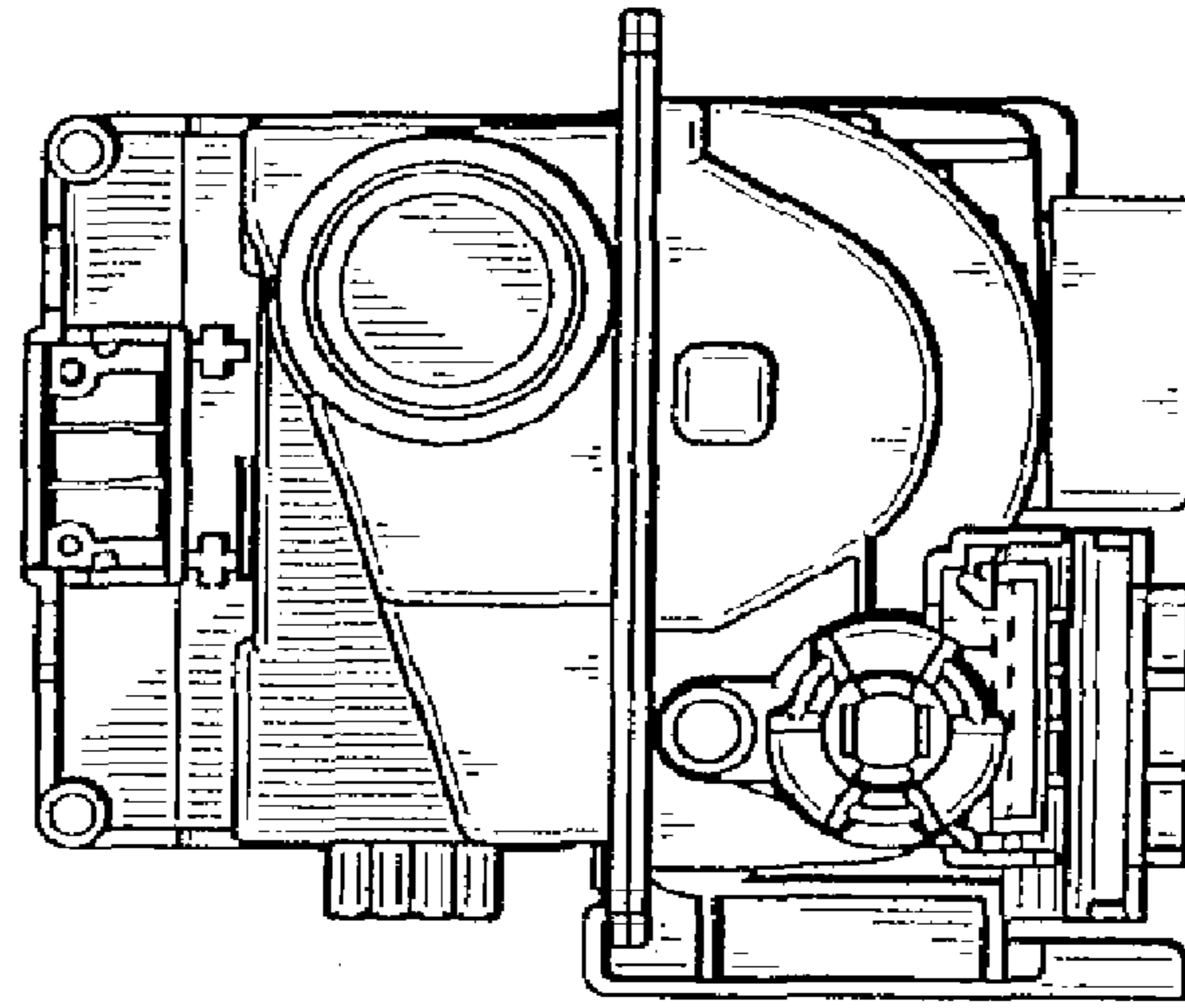


Fig. 7

