



US00D594504S

(12) **United States Design Patent**  
**Hattori**

(10) **Patent No.:** **US D594,504 S**  
(45) **Date of Patent:** **\*\* Jun. 16, 2009**

(54) **TAPE PRINTING MACHINE**

(75) Inventor: **Mitsuharu Hattori**, Nagoya (JP)

(73) Assignee: **Brother Industries, Ltd.**, Nagoya (JP)

(\*\*) Term: **14 Years**

(21) Appl. No.: **29/300,906**

(22) Filed: **May 28, 2008**

(30) **Foreign Application Priority Data**

Dec. 3, 2007 (JP) ..... 2007-033183

(51) **LOC (9) Cl.** ..... **18-01**

(52) **U.S. Cl.** ..... **D18/19**

(58) **Field of Classification Search** ..... D18/34.1,  
D18/34.2, 36-41, 46-19, 53, 35.1, 51; D14/302,  
D14/305; 399/1-7, 16, 75, 81, 107, 130,  
399/151, 361, 365, 367, 381-383, 388; D16/200  
See application file for complete search history.

(56) **References Cited**

**U.S. PATENT DOCUMENTS**

- D474,499 S \* 5/2003 Isono ..... D18/50
- D532,448 S \* 11/2006 Lim et al. .... D18/50
- D558,820 S \* 1/2008 Hong et al. .... D18/50
- D566,756 S \* 4/2008 Massey et al. .... D18/50
- D576,670 S \* 9/2008 Sumi ..... D18/50

\* cited by examiner

*Primary Examiner*—Charles A Rademaker  
*Assistant Examiner*—Charles D Hanson  
(74) *Attorney, Agent, or Firm*—Oliff & Berridge, PLC

(57) **CLAIM**

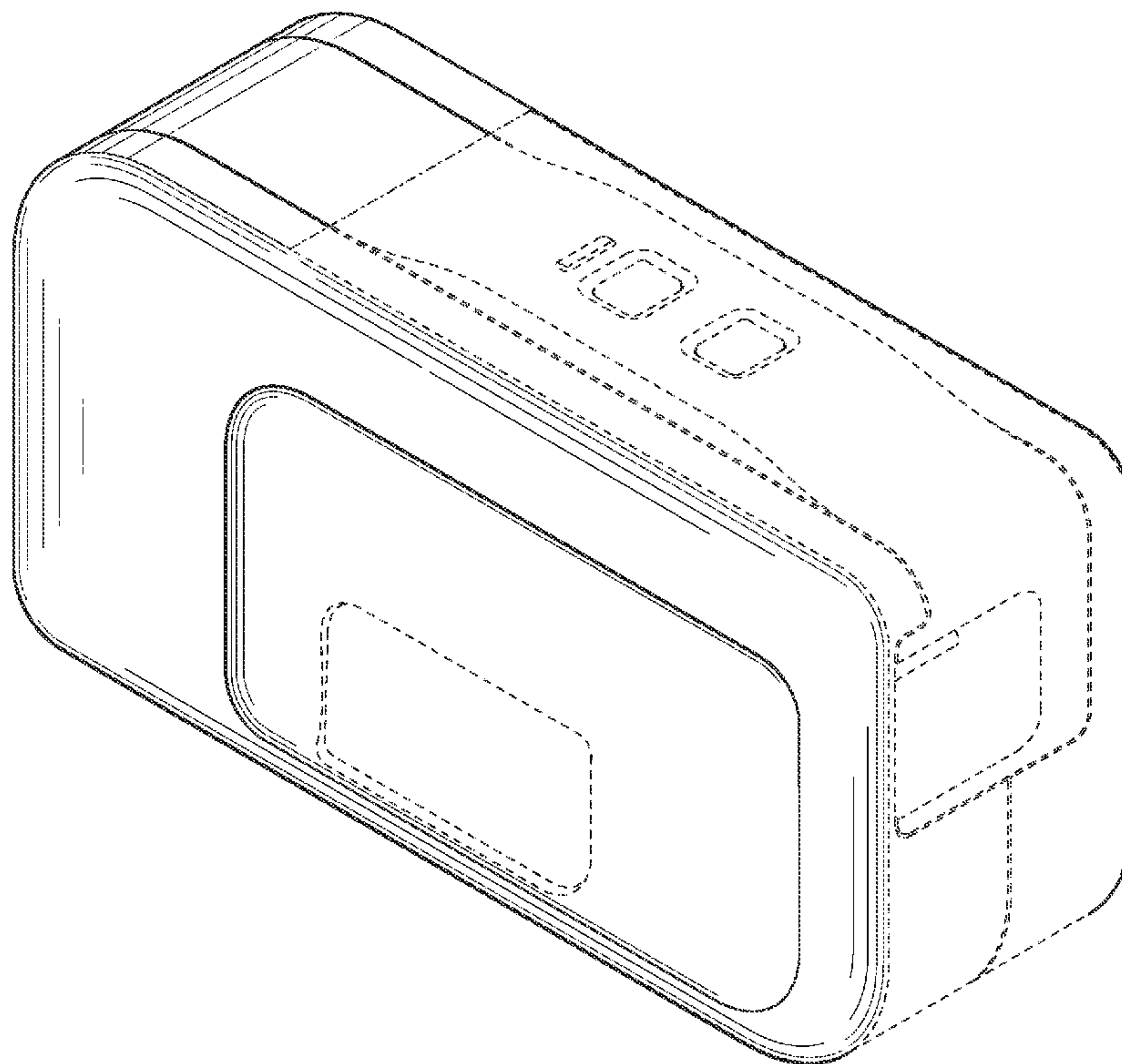
The ornamental design for a tape printing machine, as shown and described.

**DESCRIPTION**

FIG. 1 is a perspective view of a tape printing machine, showing my new design;  
FIG. 2 is a front view thereof;  
FIG. 3 is a top view thereof;  
FIG. 4 is a right-side view thereof;  
FIG. 5 is a left-side view thereof;  
FIG. 6 is a rear view thereof; and,  
FIG. 7 is a bottom view thereof.

The dot-dash-dot lines shown in the drawings are included for the purpose of illustrating boundaries of the claimed design. The broken lines shown in the drawings are included for the purpose of illustrating environment and form no part of the claimed design.

**1 Claim, 4 Drawing Sheets**



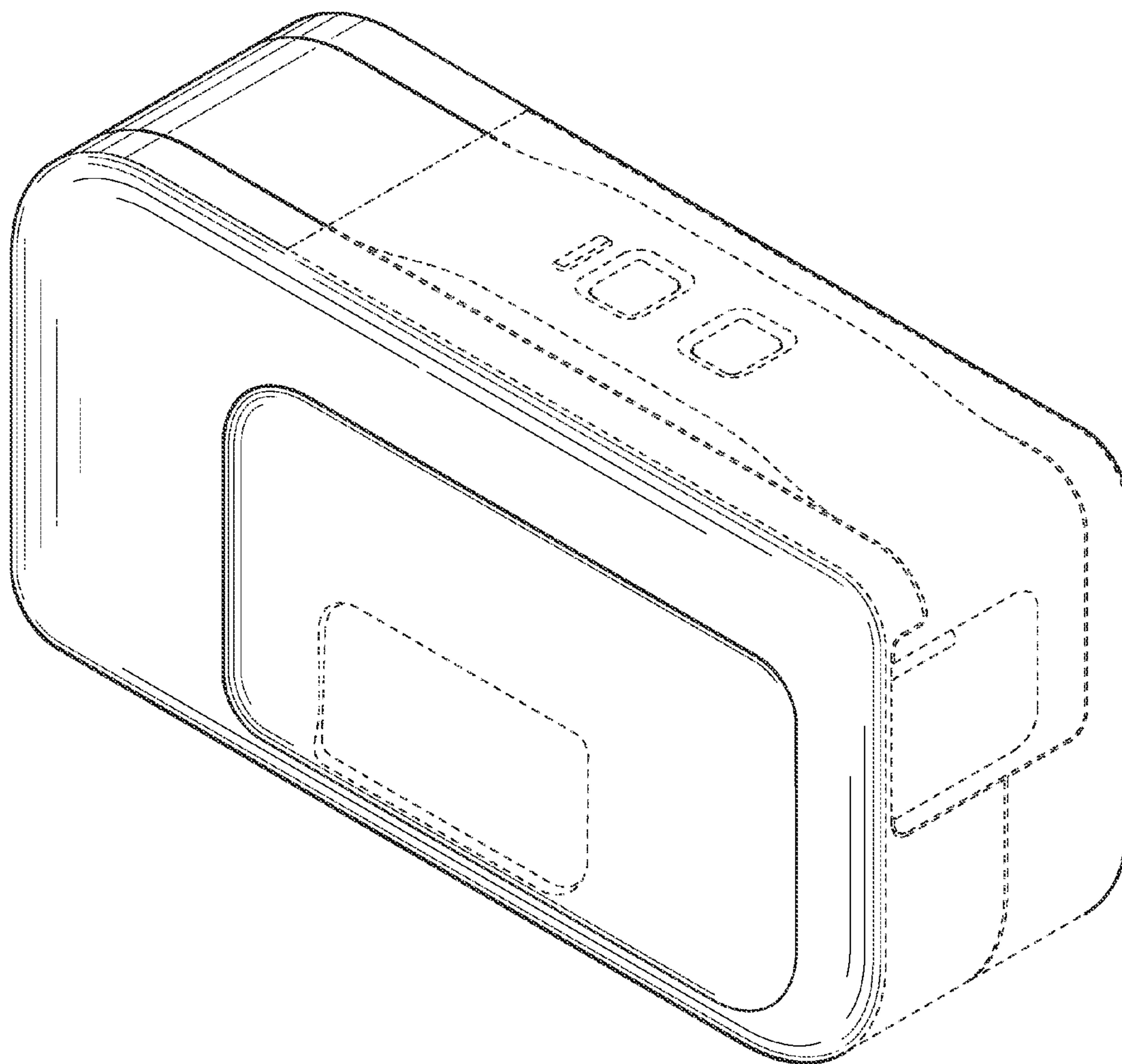


FIG. 1

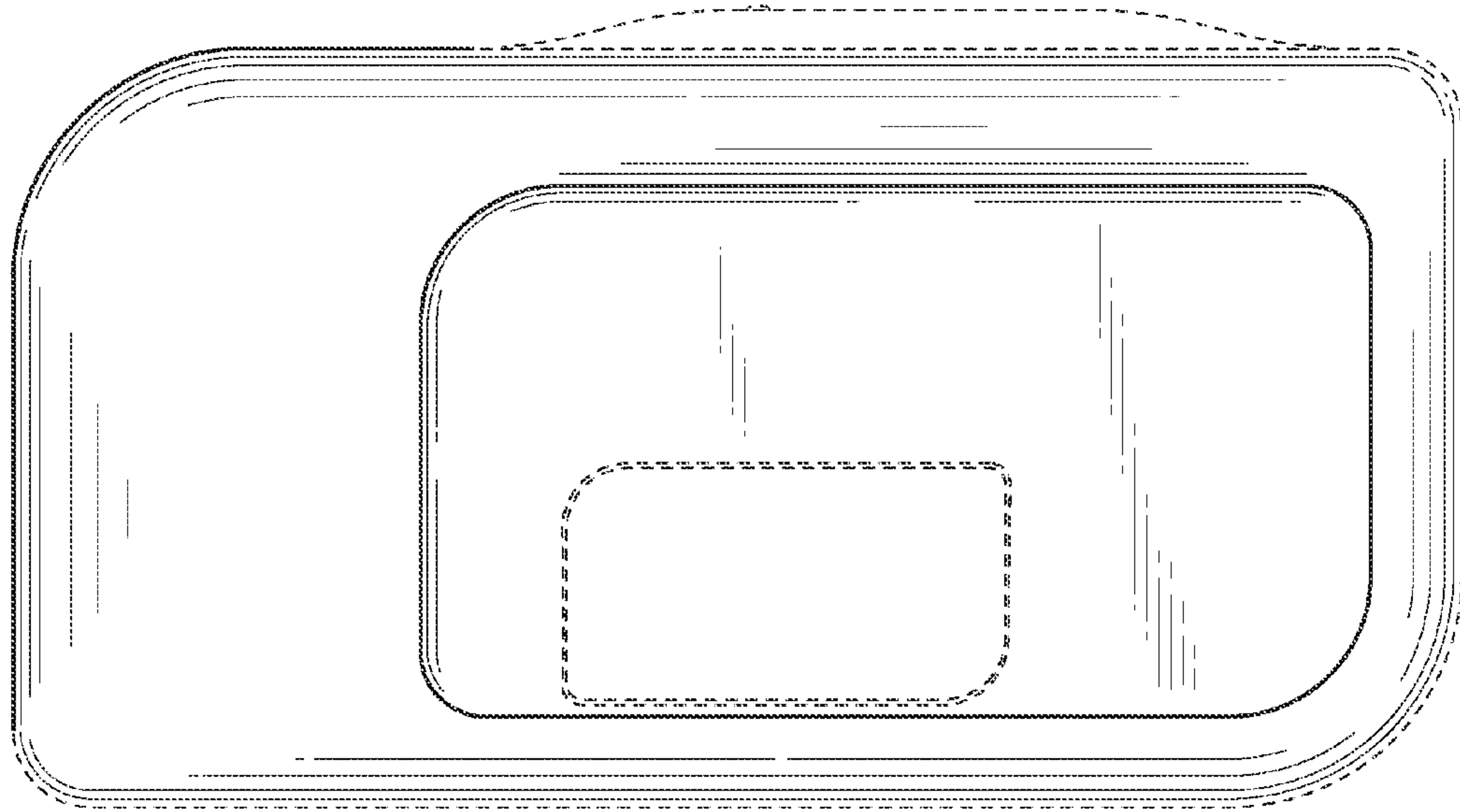


FIG. 2

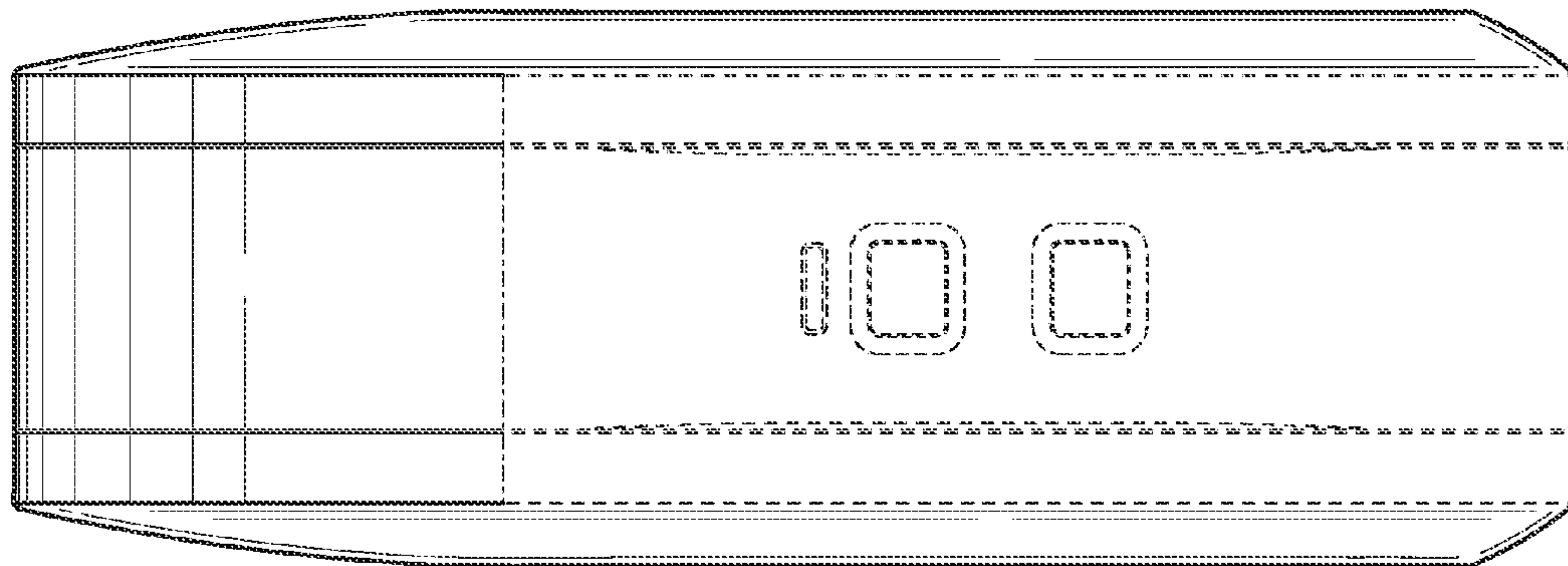


FIG. 3

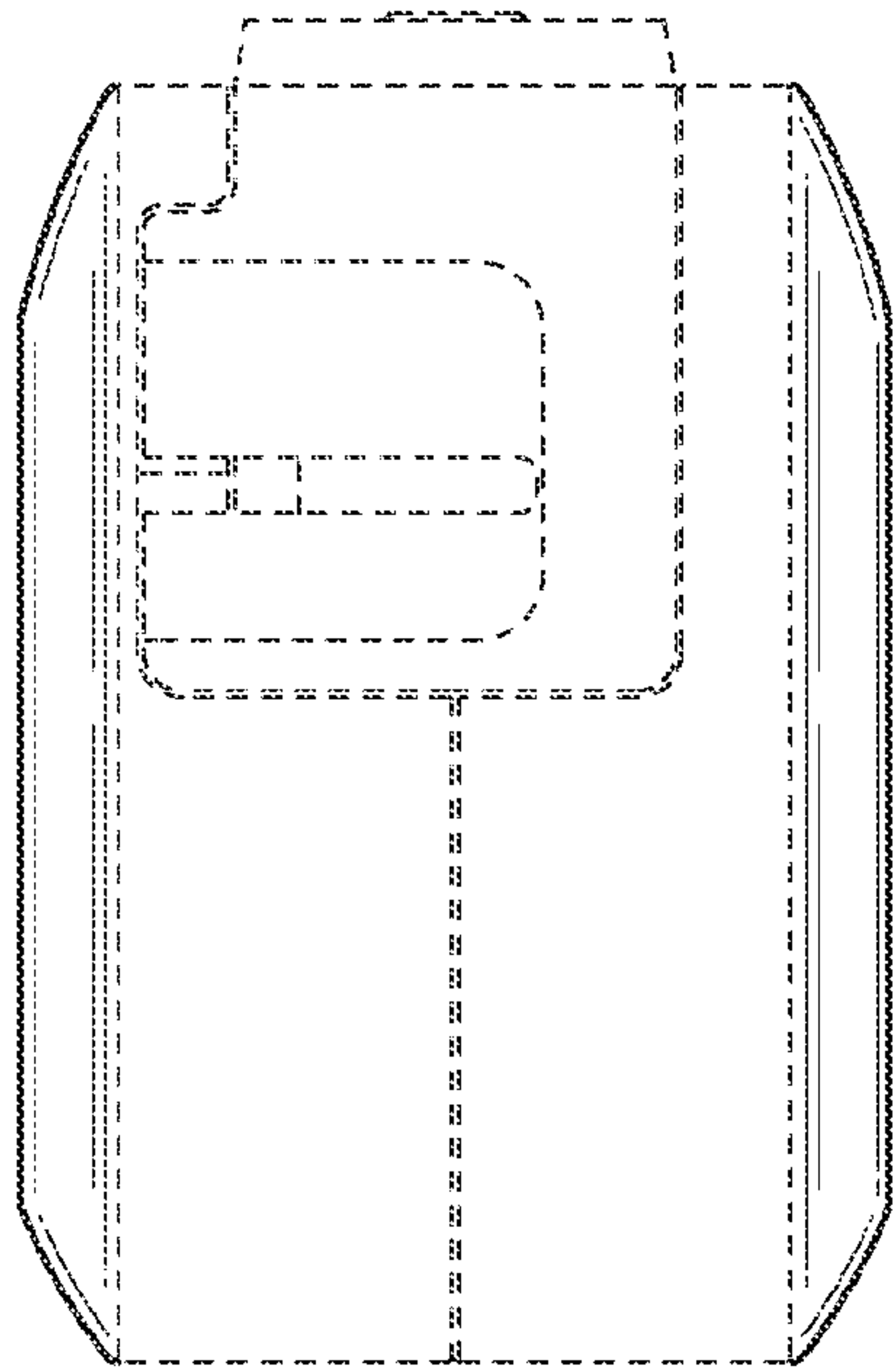


FIG. 4

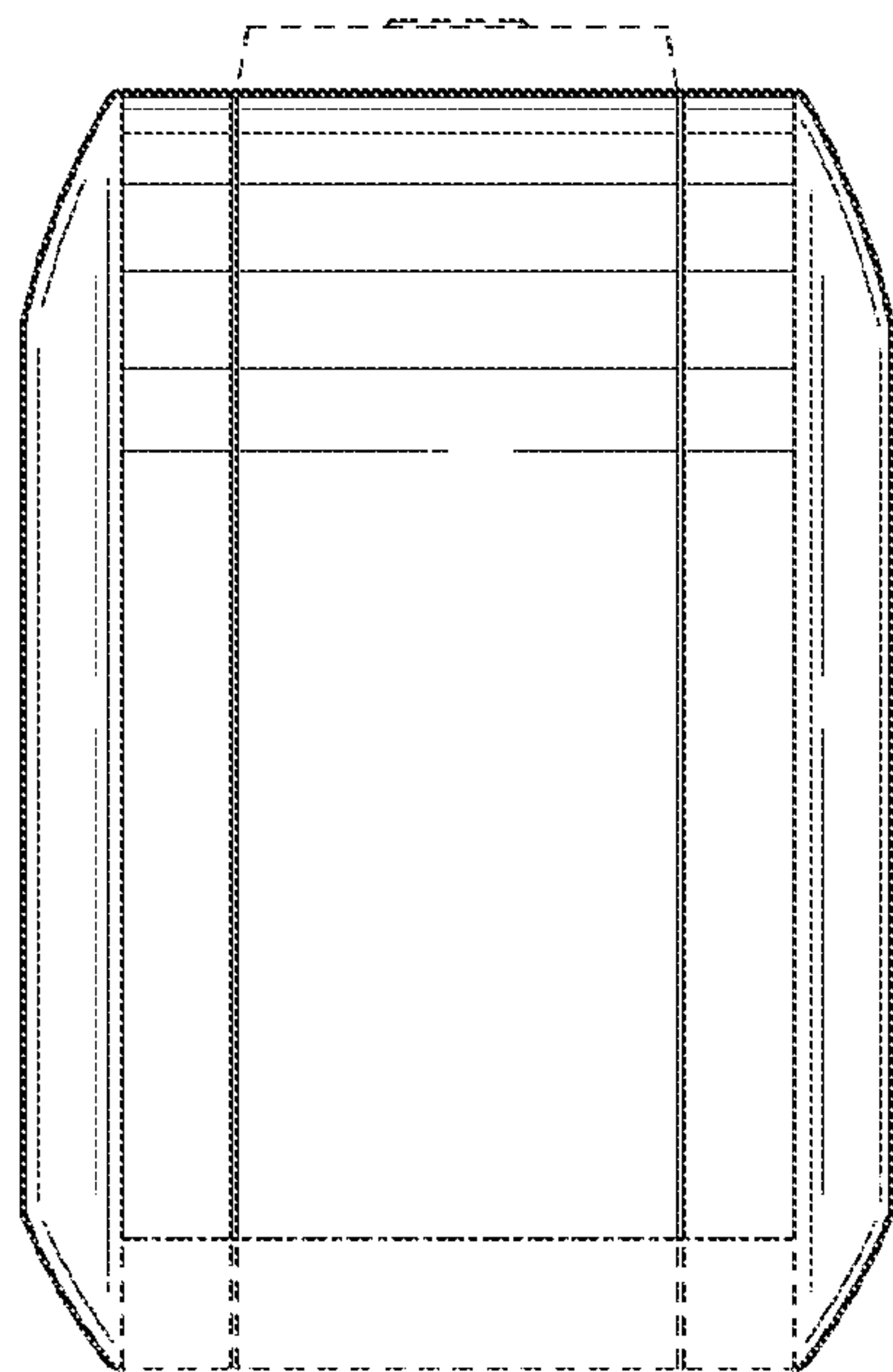


FIG. 5

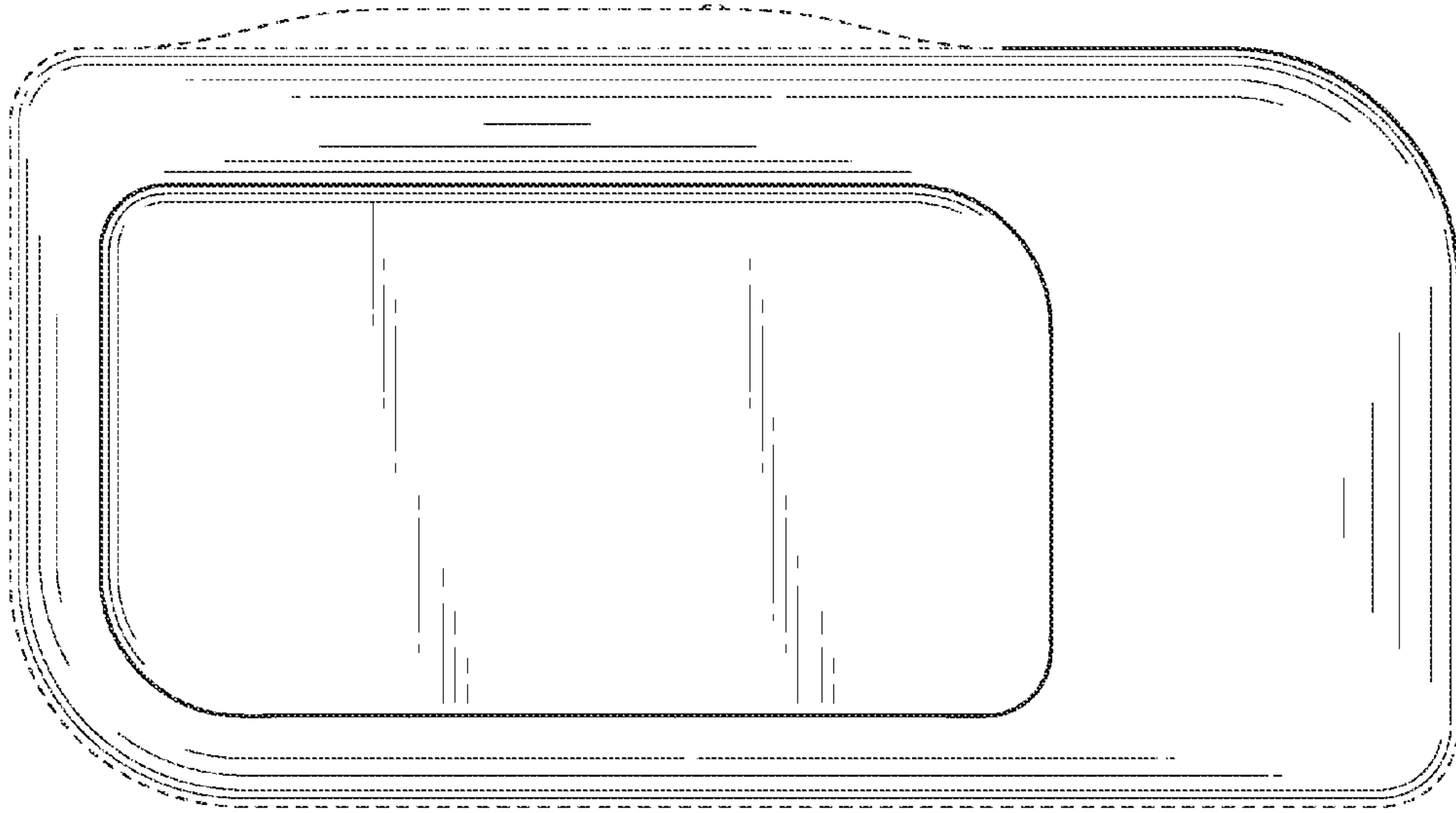


FIG. 6

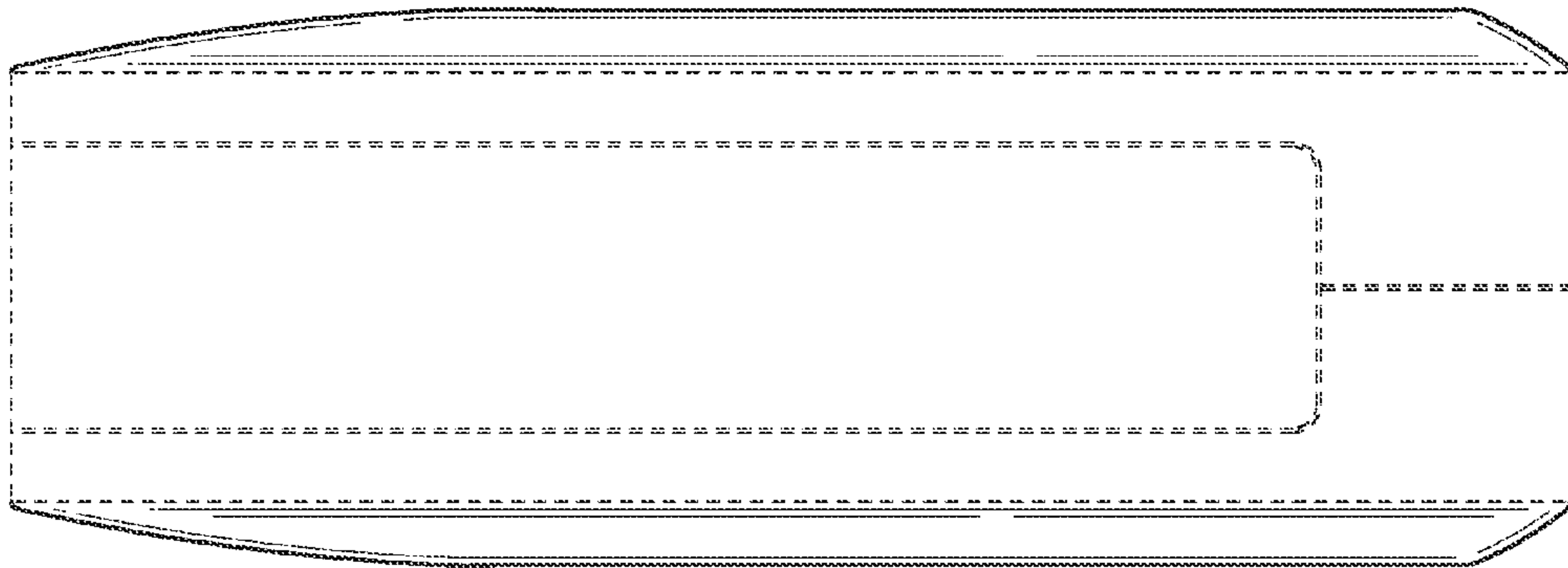


FIG. 7