



US00D594503S

(12) **United States Design Patent**
Sakano

(10) **Patent No.:** **US D594,503 S**
(45) **Date of Patent:** **** Jun. 16, 2009**

(54) **INK RIBBON CARTRIDGE**

D545,358 S * 6/2007 Motoki D18/56
D552,171 S * 10/2007 Motoki D18/56

(75) Inventor: **Hideki Sakano**, Matsumoto (JP)

* cited by examiner

(73) Assignee: **Seiko Epson Corporation** (JP)

Primary Examiner—Caron Veynar

(**) Term: **14 Years**

Assistant Examiner—Garth Rademaker

(21) Appl. No.: **29/288,409**

(74) *Attorney, Agent, or Firm*—Harness, Dickey & Pierce, P.L.C.

(22) Filed: **Jun. 8, 2007**

(57) **CLAIM**

(30) **Foreign Application Priority Data**

The ornamental design for an ink ribbon cartridge, as shown and described.

Apr. 3, 2007 (JP) 2007-008757

DESCRIPTION

(51) **LOC (9) Cl.** **18-01**

FIG. 1 is a top, front, right side perspective view of of an ink ribbon cartridge showing my new design;

(52) **U.S. Cl.** **D18/12**

FIG. 2 is a bottom, rear and right side perspective view thereof;

(58) **Field of Classification Search** D14/462,
D14/471, 474–477, 481–484; D18/12, 36,
D18/40, 43, 44, 56; 222/DIG. 1; 347/49,
347/214, 222; 399/24–27, 107–111; 400/194,
400/196, 205, 207, 242

FIG. 3 is a front view thereof;

See application file for complete search history.

FIG. 4 is a rear view thereof;

(56) **References Cited**

FIG. 5 is a left side view thereof;

U.S. PATENT DOCUMENTS

FIG. 6 is a right side view thereof;

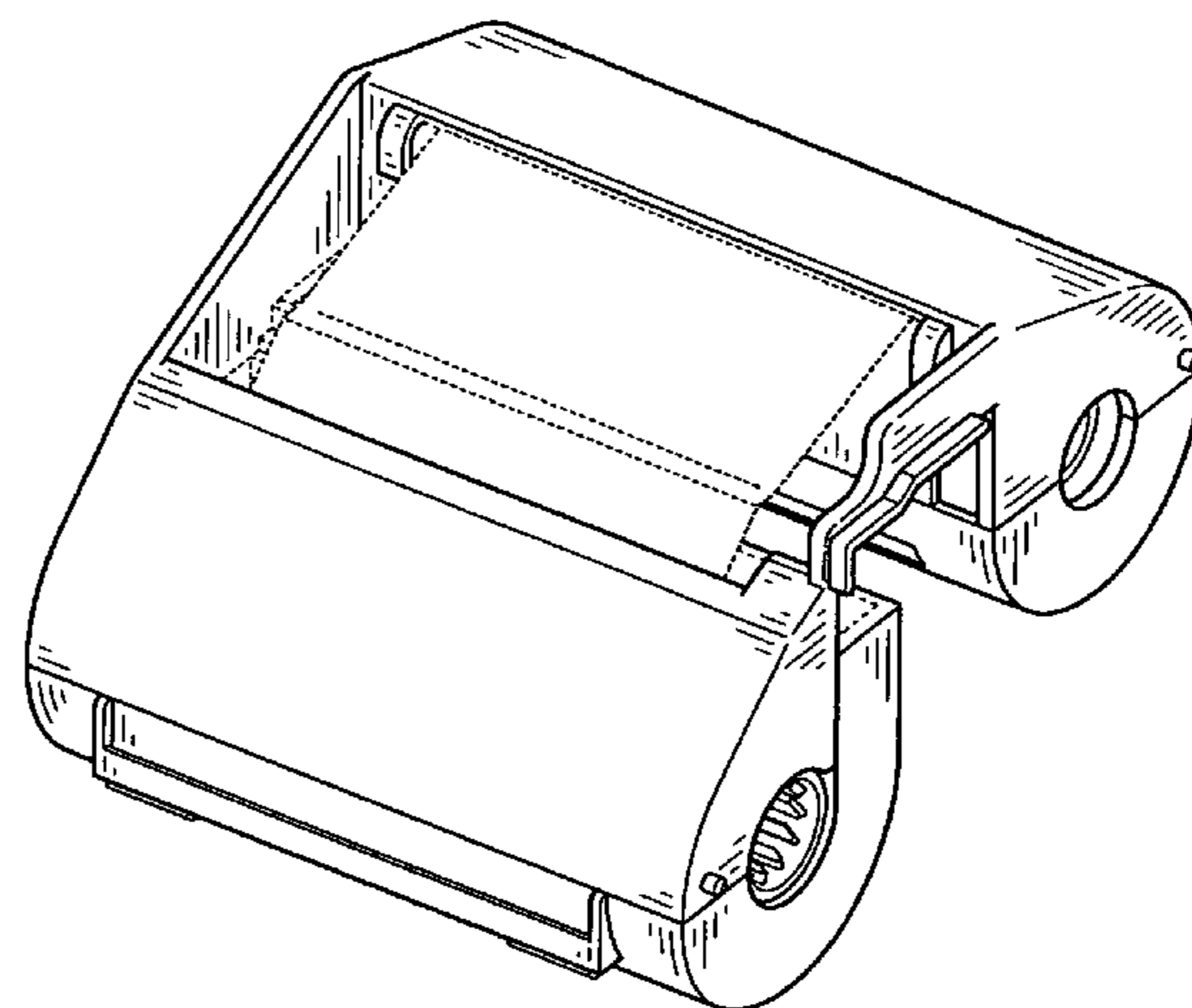
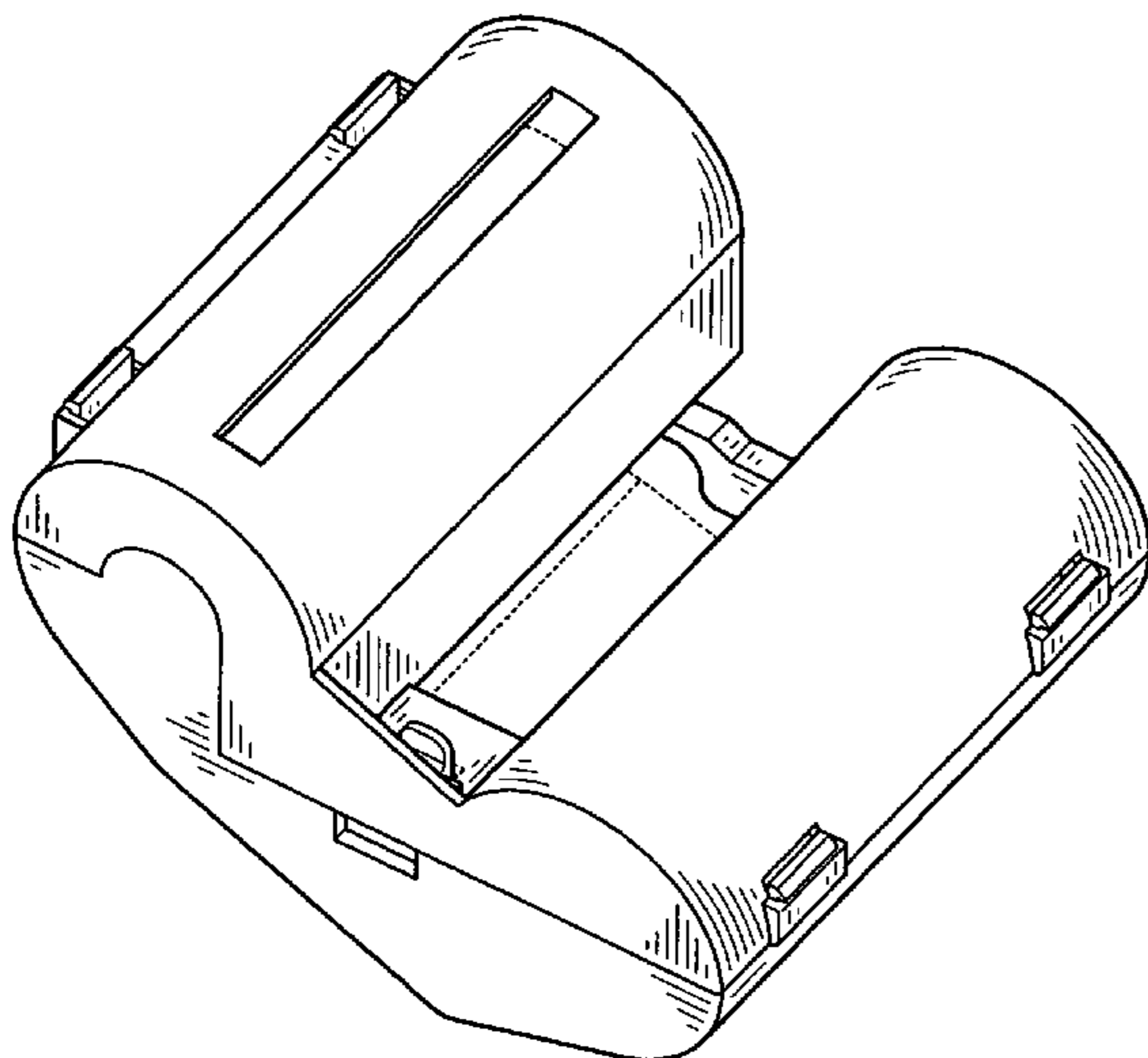
D188,725 S * 8/1960 Wren D14/476
D216,225 S * 12/1969 Grupp D14/481
3,614,012 A * 10/1971 Edelman et al. 242/345
D270,914 S * 10/1983 Nader D18/44
D333,481 S * 2/1993 Laurent D18/12
D333,482 S * 2/1993 Laurent D18/12

FIG. 7 is a top view thereof; and,

FIG. 8 is a bottom view thereof.

The broken lines show environmental subject matter and form no part of the claimed design.

1 Claim, 4 Drawing Sheets



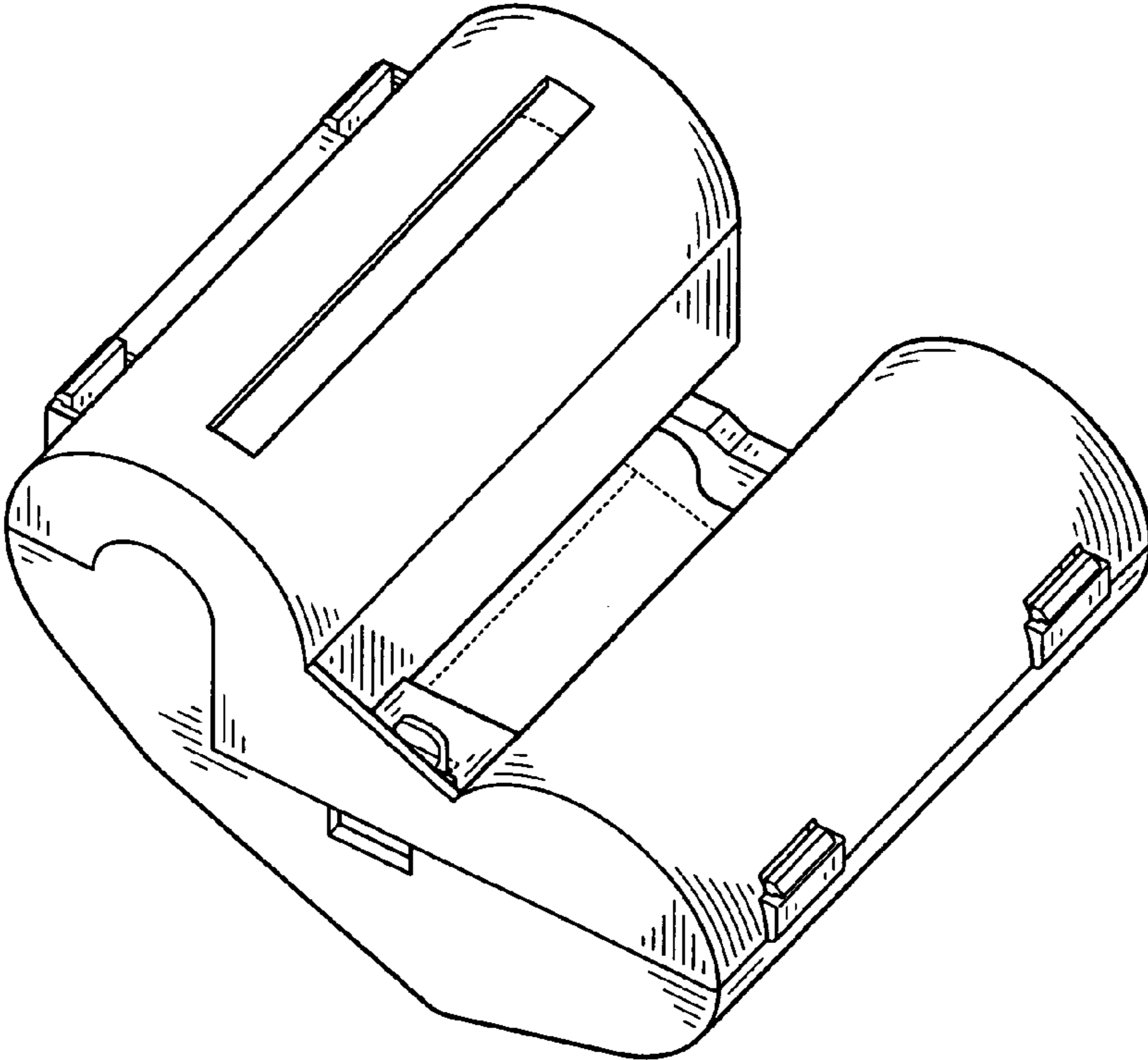


FIG. 1

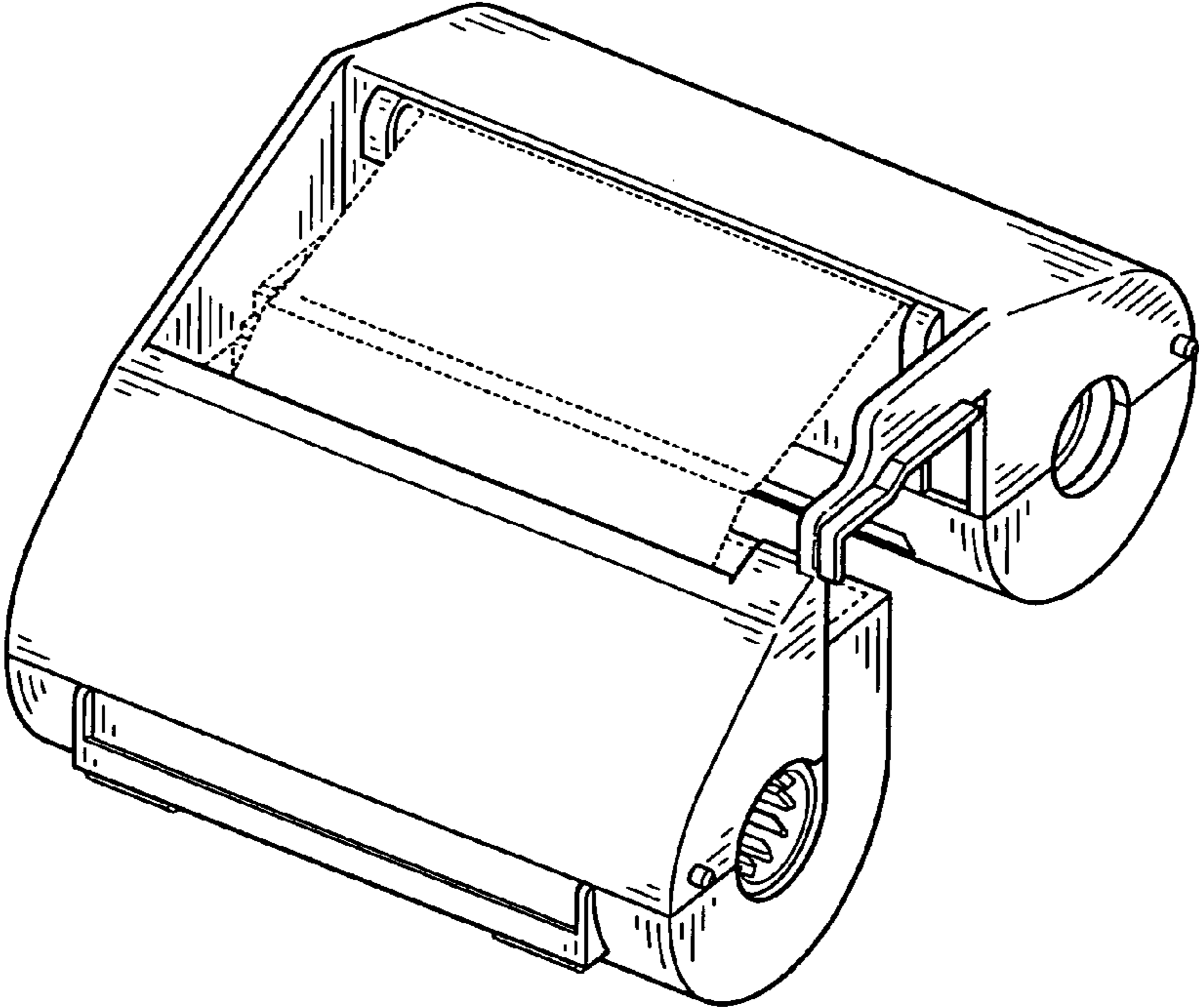


FIG. 2

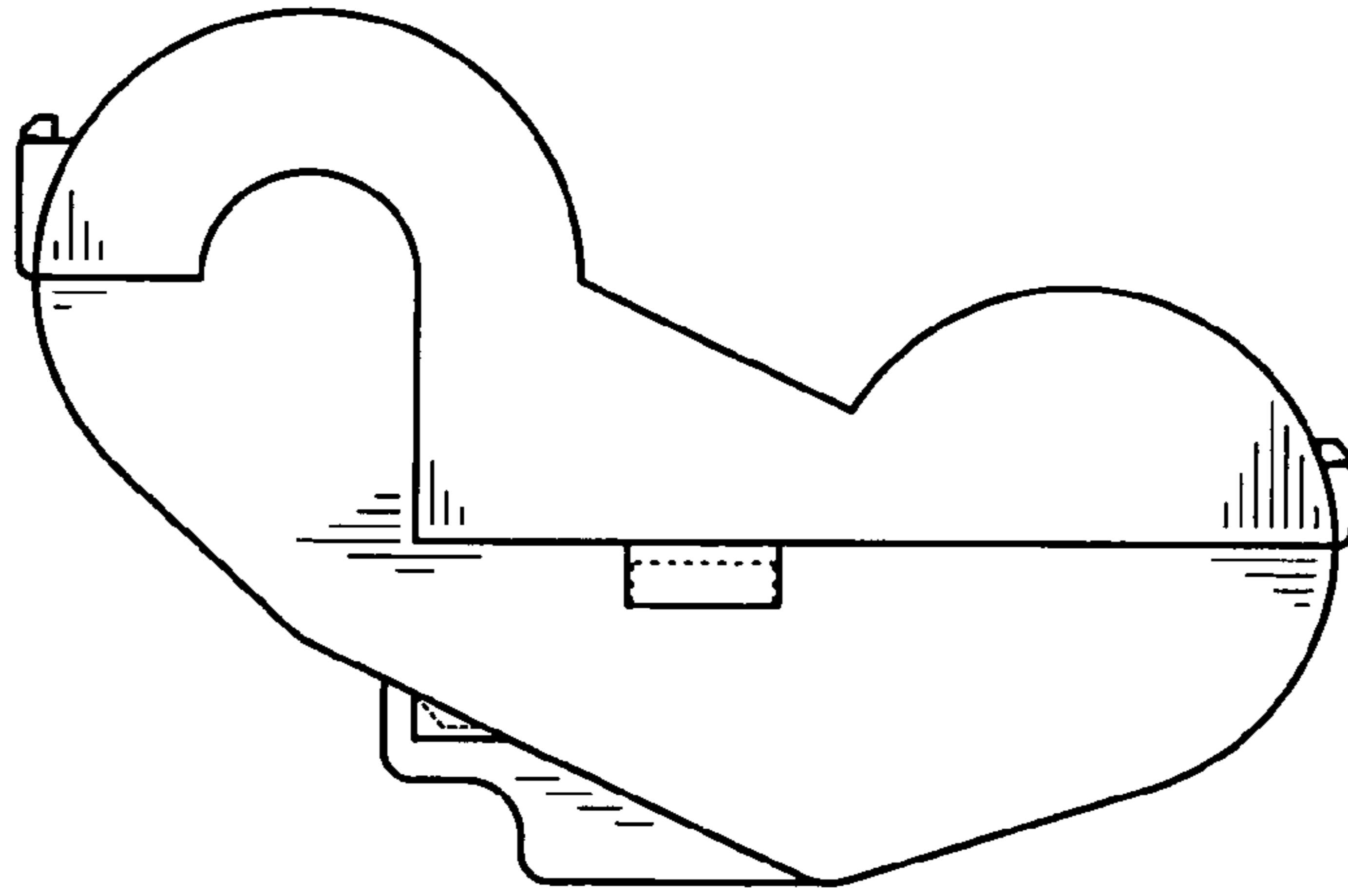


FIG. 3

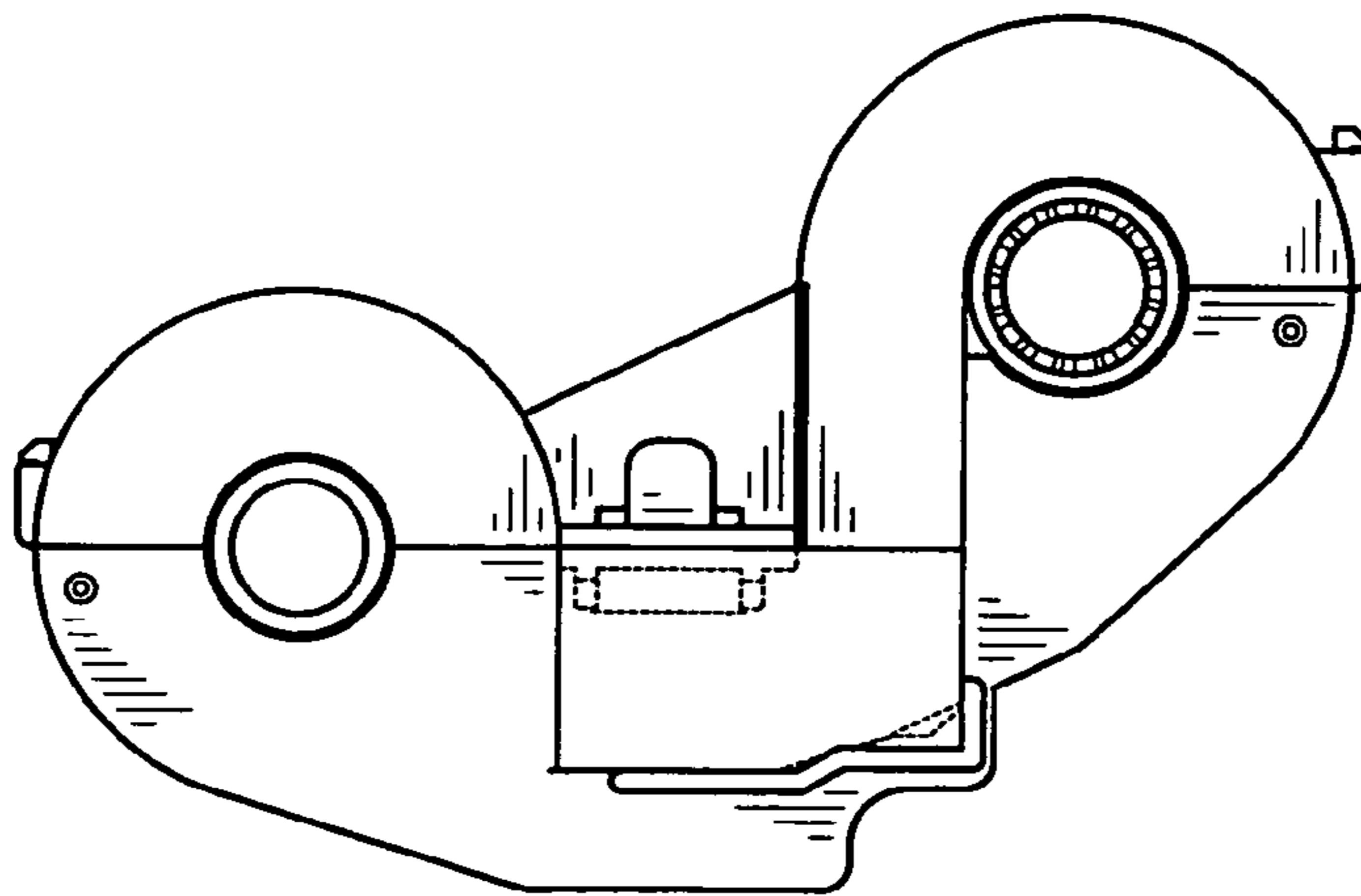


FIG. 4

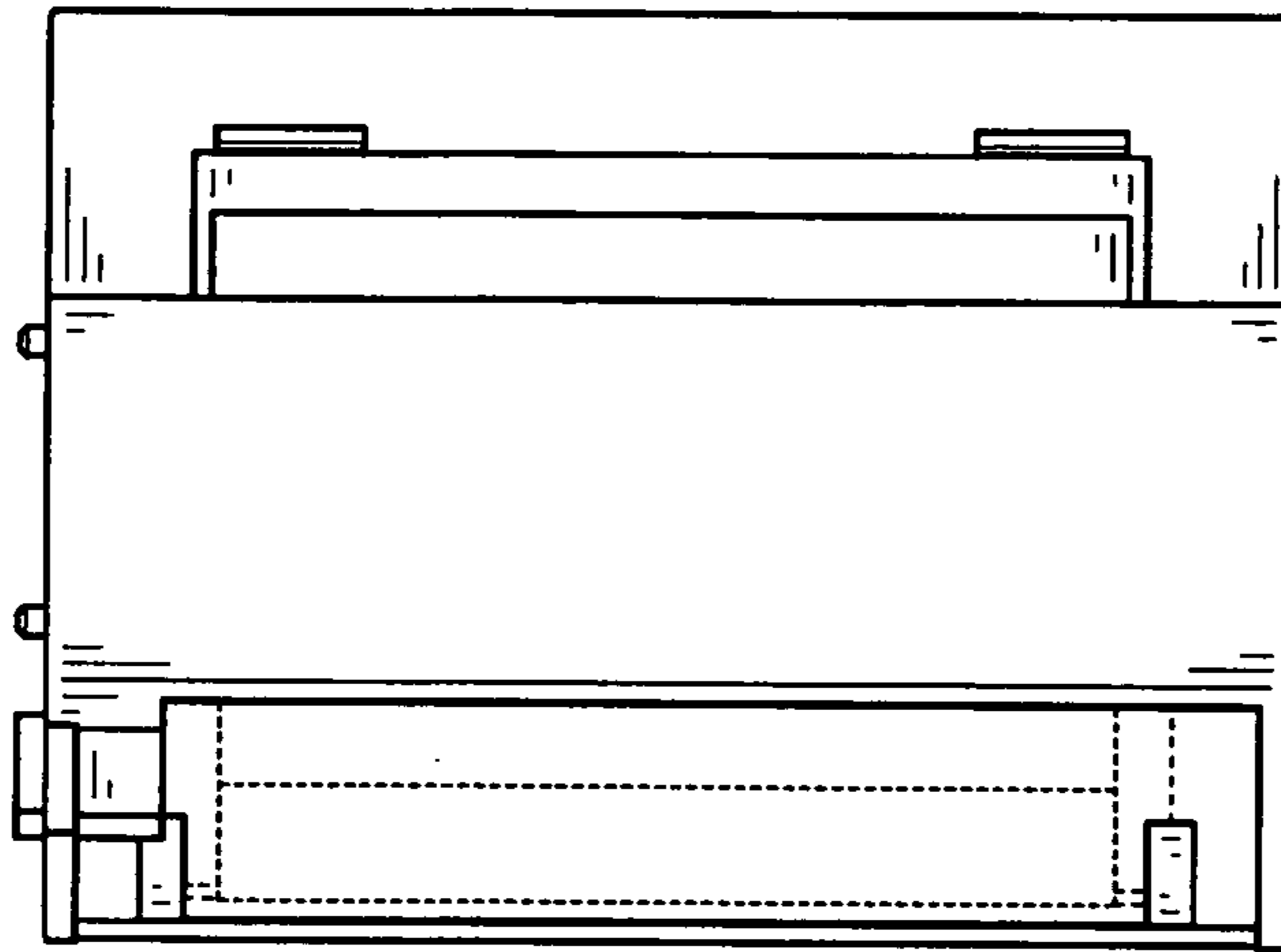


FIG. 5

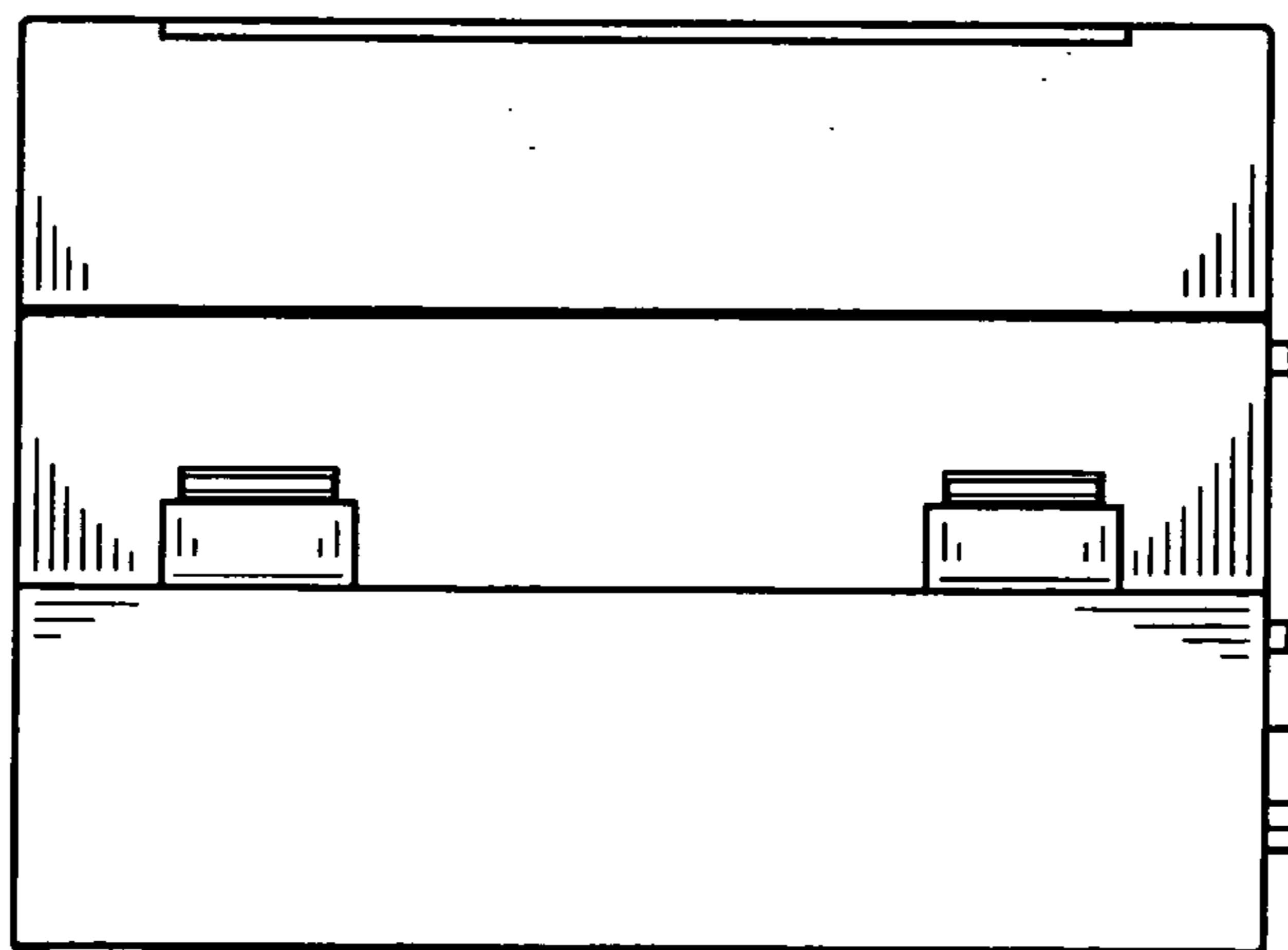


FIG. 6

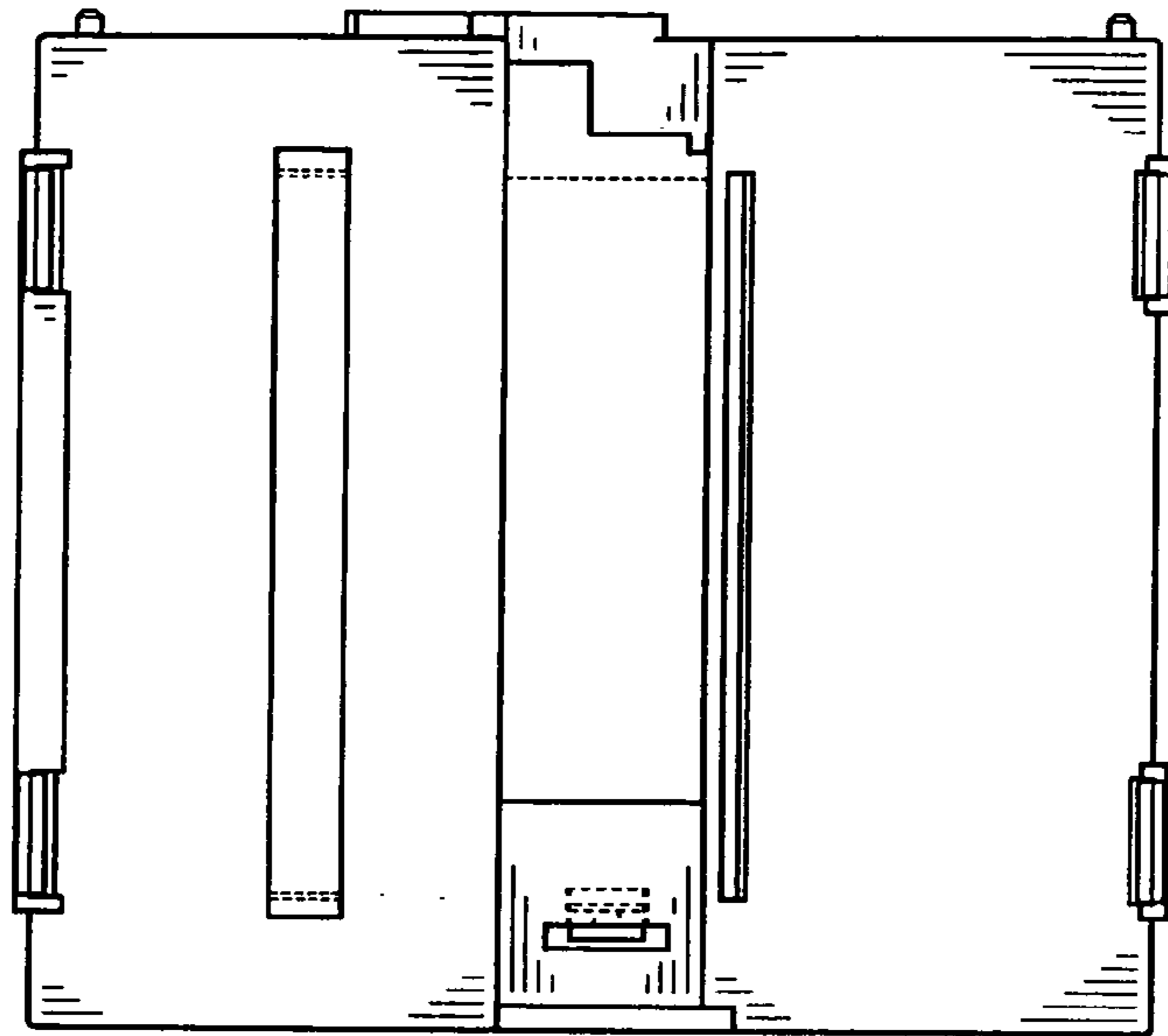


FIG. 7

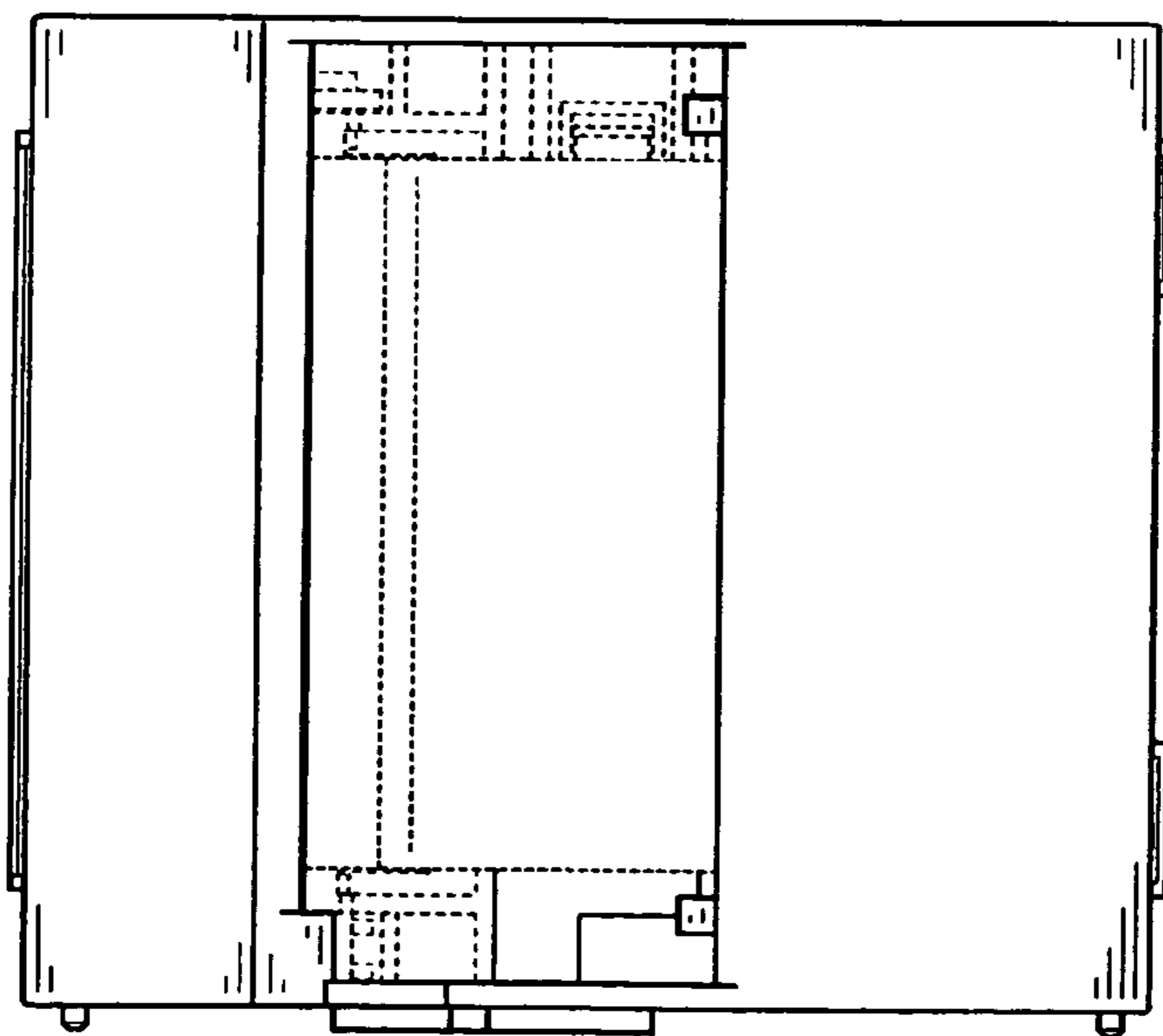


FIG. 8