



US00D594502S

(12) **United States Design Patent**
Csakvary

(10) **Patent No.:** **US D594,502 S**

(45) **Date of Patent:** **** Jun. 16, 2009**

(54) **GUITAR**

(75) Inventor: **Attila Joseph Csakvary**, 43-40 42nd St.,
Apt. #3F, Sunnyside, NY (US) 11104

(73) Assignee: **Attila Joseph Csakvary NY (US)**

(**) Term: **14 Years**

(21) Appl. No.: **29/313,281**

(22) Filed: **Dec. 24, 2008**

(51) **LOC (9) Cl.** **17-03**

(52) **U.S. Cl.** **D17/14**

(58) **Field of Classification Search** D17/14,
D17/15, 18-20; 84/267-269, 290-293
See application file for complete search history.

(56) **References Cited**

U.S. PATENT DOCUMENTS

D26,398 S *	12/1896	Behm	D17/18
D181,867 S *	1/1958	McCarty	D17/19
D263,601 S	3/1982	Klein	D17/18
D269,788 S	7/1983	LeBlue	D17/14
D293,332 S	12/1987	Wintz	D17/14
4,753,147 A *	6/1988	Berardi	84/453
D320,221 S	9/1991	Tornes	D17/20
D331,252 S	11/1992	Kroptavich	D17/18
D334,764 S	4/1993	Fisher, IV	D17/14
D375,113 S	10/1996	Darby	D17/20

D418,859 S *	1/2000	Herbold	D17/20
D466,547 S	12/2002	Silvey	D17/20
D474,227 S	5/2003	Wilson	D17/14
6,558,280 B1	5/2003	Kuhn	473/583
D475,396 S	6/2003	Coppola	D17/14
6,703,546 B1 *	3/2004	Wilson	84/291
D499,756 S	12/2004	Di Pinto	D17/14
D533,212 S	12/2006	Johnson	D17/20
D560,709 S	1/2008	Unkert	D17/20
D564,575 S	3/2008	Csakvary	D17/20
D580,964 S	11/2008	Csakvary	D17/20
D582,968 S *	12/2008	Csakvary	D17/18

* cited by examiner

Primary Examiner—Ian Simmons

Assistant Examiner—R. Johnson

(57) **CLAIM**

The ornamental design for a guitar, as shown and described.

DESCRIPTION

FIG. 1 is a front elevational view of a guitar showing my new design;

FIG. 2 is a rear elevational view thereof; and,

FIG. 3 is a right side elevational view thereof.

The broken lines shown in the drawings are for illustrative purpose only and form no part of the claimed design.

1 Claim, 3 Drawing Sheets

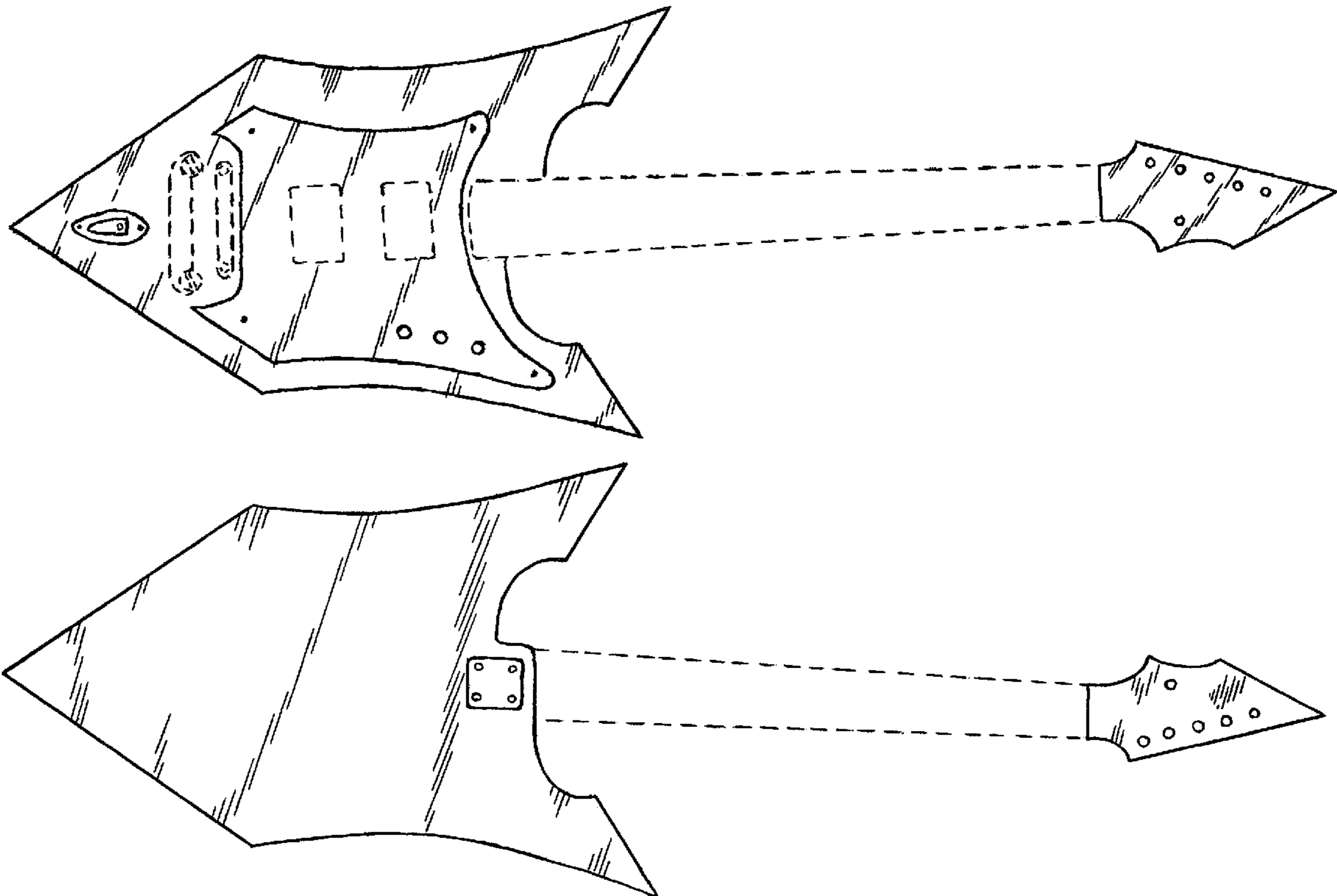


FIG. 1

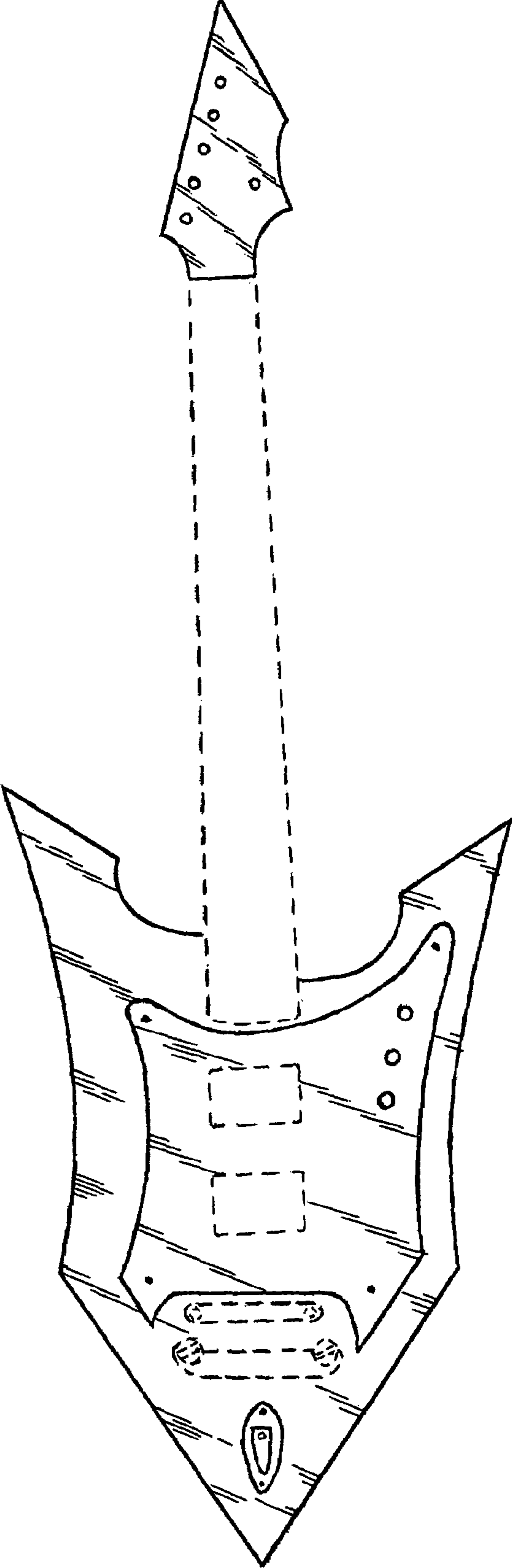


FIG. 2

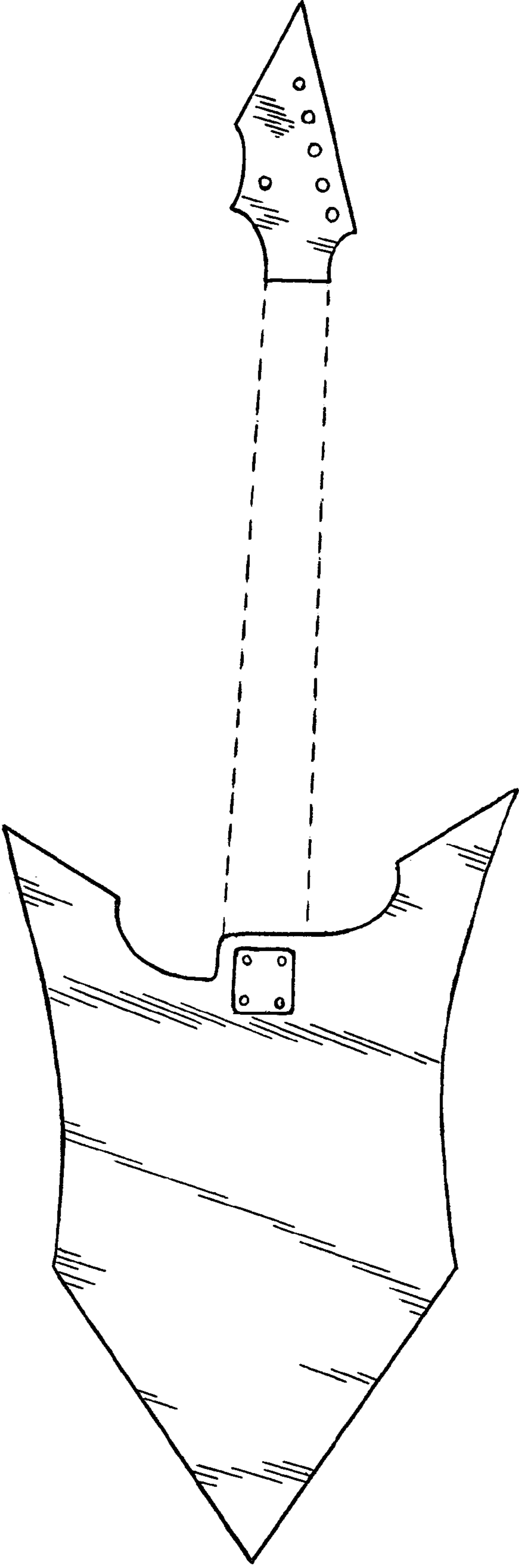


FIG. 3

