



US00D594500S

(12) **United States Design Patent**
Hogan et al.

(10) **Patent No.:** **US D594,500 S**
(45) **Date of Patent:** **** *Jun. 16, 2009**

(54) **PROTECTIVE EYEWEAR**

(76) Inventors: **Christine K. Hogan**, 4130 SW.
Woodbury Ct. N., Topeka, KS (US)
66606; **Howard E. Hogan**, 4130 SW.
Woodbury Ct. N., Topeka, KS (US)
66606

D429,817 S 8/2000 Banks
6,131,208 A 10/2000 Banks
D440,660 S 4/2001 Sternberg
D444,561 S 7/2001 Stein
D462,374 S * 9/2002 Lane et al. D16/301
D467,959 S * 12/2002 Lane et al. D16/301

(Continued)

(*) Notice: This patent is subject to a terminal disclaimer.

(**) Term: **14 Years**

(21) Appl. No.: **29/298,746**

(22) Filed: **Dec. 12, 2007**

Related U.S. Application Data

(63) Continuation of application No. 11/930,684, filed on Oct. 31, 2007, now Pat. No. 7,458,456.

(51) **LOC (9) Cl.** **16-06**

(52) **U.S. Cl.** **D16/303**

(58) **Field of Classification Search** D16/100,
D16/301, 302, 303; 2/15, 433; 351/44, 46,
351/63, 124, 151, 158, 159
See application file for complete search history.

(56) **References Cited**

U.S. PATENT DOCUMENTS

4,162,542 A 7/1979 Frank
4,642,816 A * 2/1987 Miller 2/15
4,656,668 A 4/1987 Castrejon
4,701,962 A 10/1987 Simon
4,793,002 A 12/1988 Simon
4,872,217 A * 10/1989 Kitayama 2/15
4,951,658 A 8/1990 Morgan et al.
D311,409 S * 10/1990 Goffman D16/100
4,979,811 A 12/1990 Boyer
5,263,200 A 11/1993 Miller
5,307,523 A * 5/1994 Lewis et al. 2/433
5,585,871 A * 12/1996 Linden 351/158
D421,124 S 2/2000 Yavitz
D425,623 S 5/2000 Funk

OTHER PUBLICATIONS

Four Seasons Indoor Tanning Catalog; 2007; pp. 177-182.
U.S. Patent Application entitled Protective Eyewear; U.S. Appl. No. 11/930,684, filed Oct. 31, 2007; First Named Inventor: Christine K. Hogan.

Primary Examiner—Robert M Spear
Assistant Examiner—Barbara B Lohr
(74) *Attorney, Agent, or Firm*—Hovey Williams LLP

(57) **CLAIM**

The ornamental design for protective eyewear, as shown and described.

DESCRIPTION

FIG. 1 is an isometric view of a lens case of a protective eyewear assembly, illustrating a first lens and a second lens in broken line and the claimed design of a lens case in solid line, wherein a door of the lens case is illustrated in an open position;

FIG. 2 is an isometric view of the lens case of FIG. 1, illustrating the door in a closed position;

FIG. 3 is a top plan view of the lens case of FIG. 1, illustrating the door in the open position;

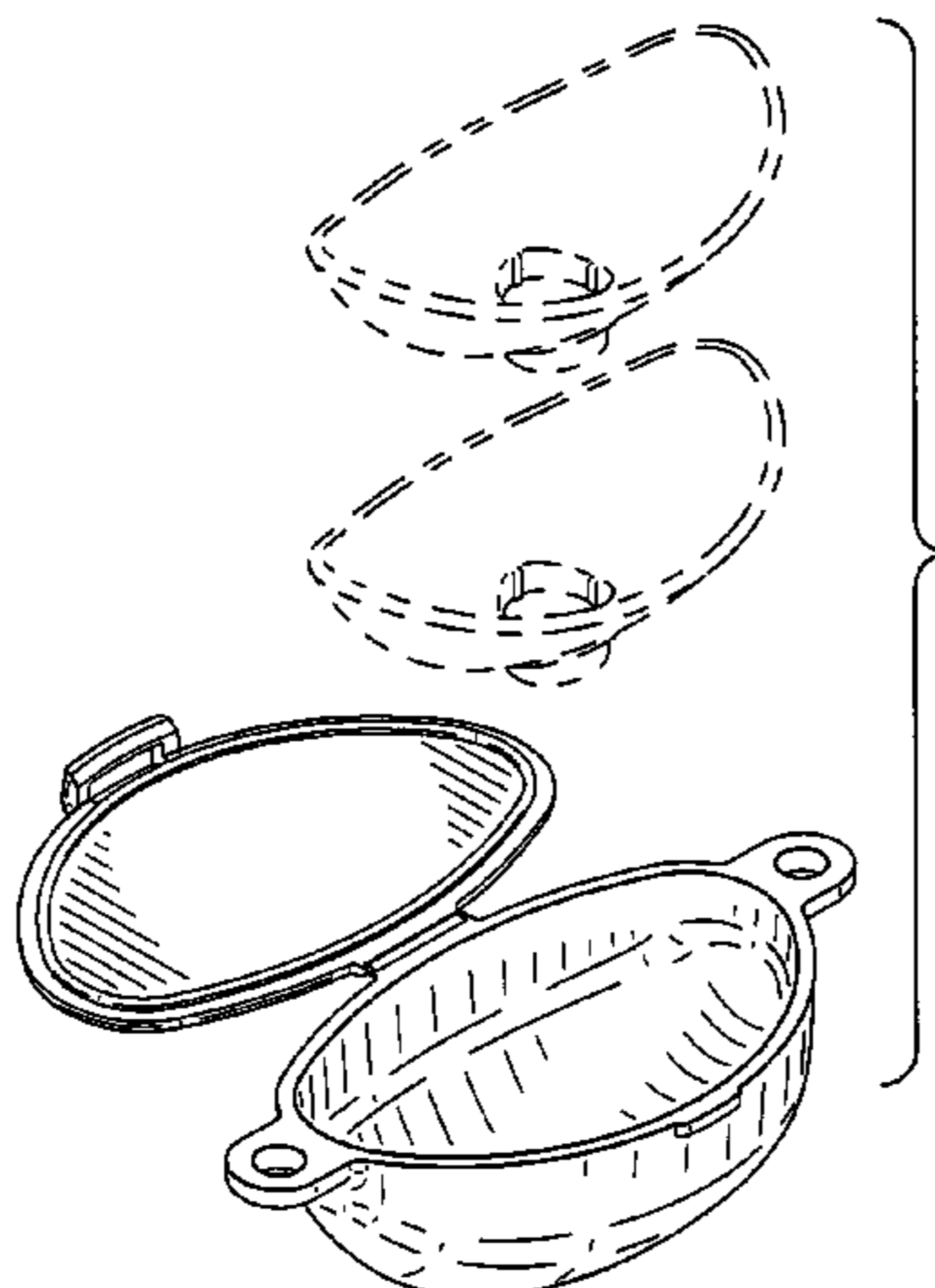
FIG. 4 is a front elevation view of the lens case of FIG. 1, illustrating the door in the open position;

FIG. 5 is a bottom plan view of the lens case of FIG. 1, illustrating the door in the open position;

FIG. 6 is a rear elevation view of the lens case of FIG. 1, illustrating the door in the open position; and,

FIG. 7 is a side elevation view of the lens case of FIG. 1, illustrating the door in the open position.

1 Claim, 3 Drawing Sheets



US D594,500 S

Page 2

| U.S. PATENT DOCUMENTS | | | | | | | |
|-----------------------|-----|--------|----------------------------|--------------|-----|---------|----------------------------|
| | | | | 2004/0207805 | A1* | 10/2004 | Chovan et al. 351/124 |
| 6,942,336 | B2* | 9/2005 | Foulke et al. 351/46 | 2005/0179858 | A1* | 8/2005 | Pierotti 351/151 |
| 7,008,056 | B2* | 3/2006 | Hartley et al. 351/44 | 2008/0158504 | A1* | 7/2008 | Hogan et al. 351/63 |
| 7,052,130 | B2 | 5/2006 | Fishbaugh | | | | |
| 7,182,460 | B2* | 2/2007 | Pierotti 351/159 | | | | |

* cited by examiner

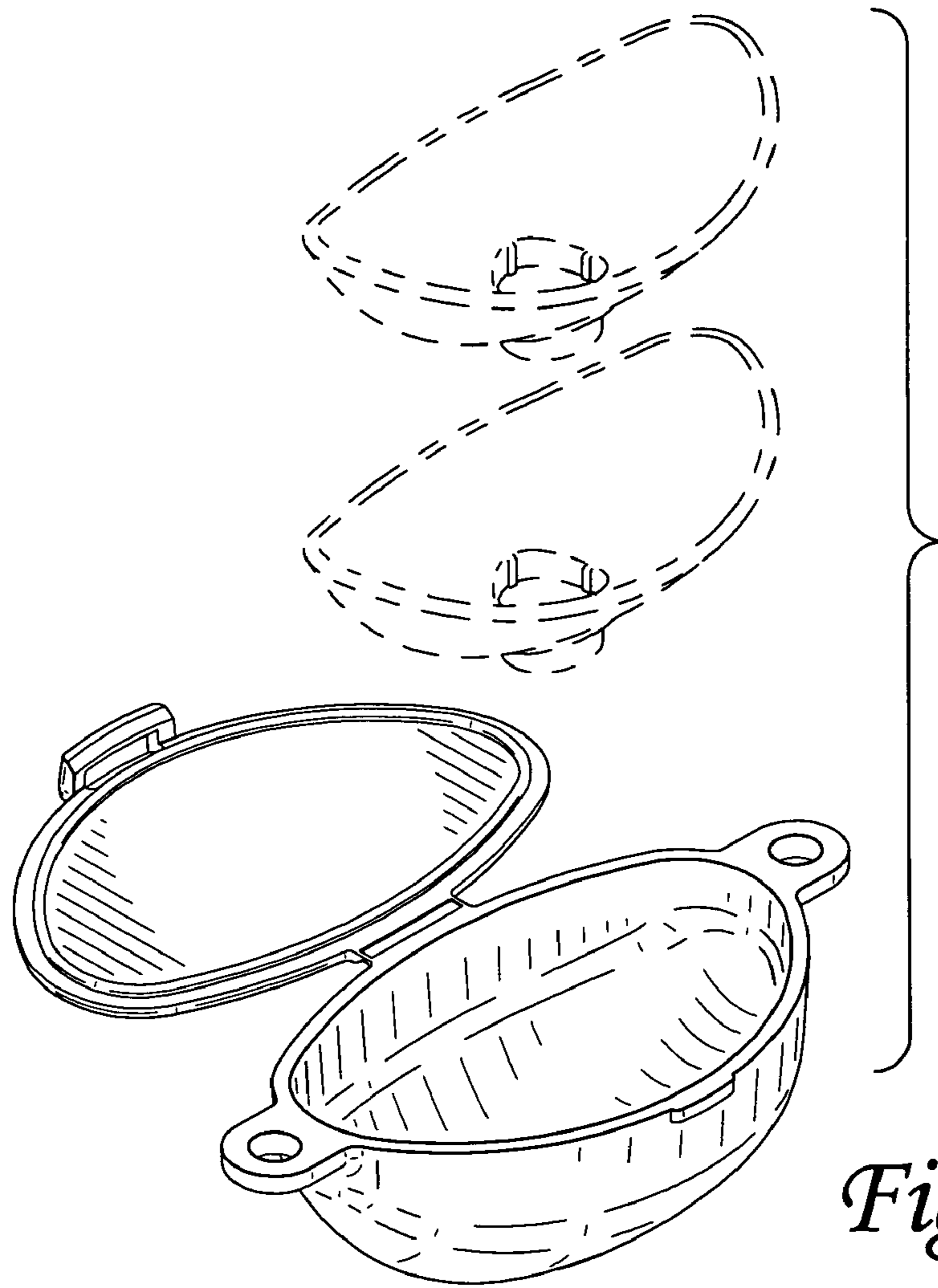


Fig. 1

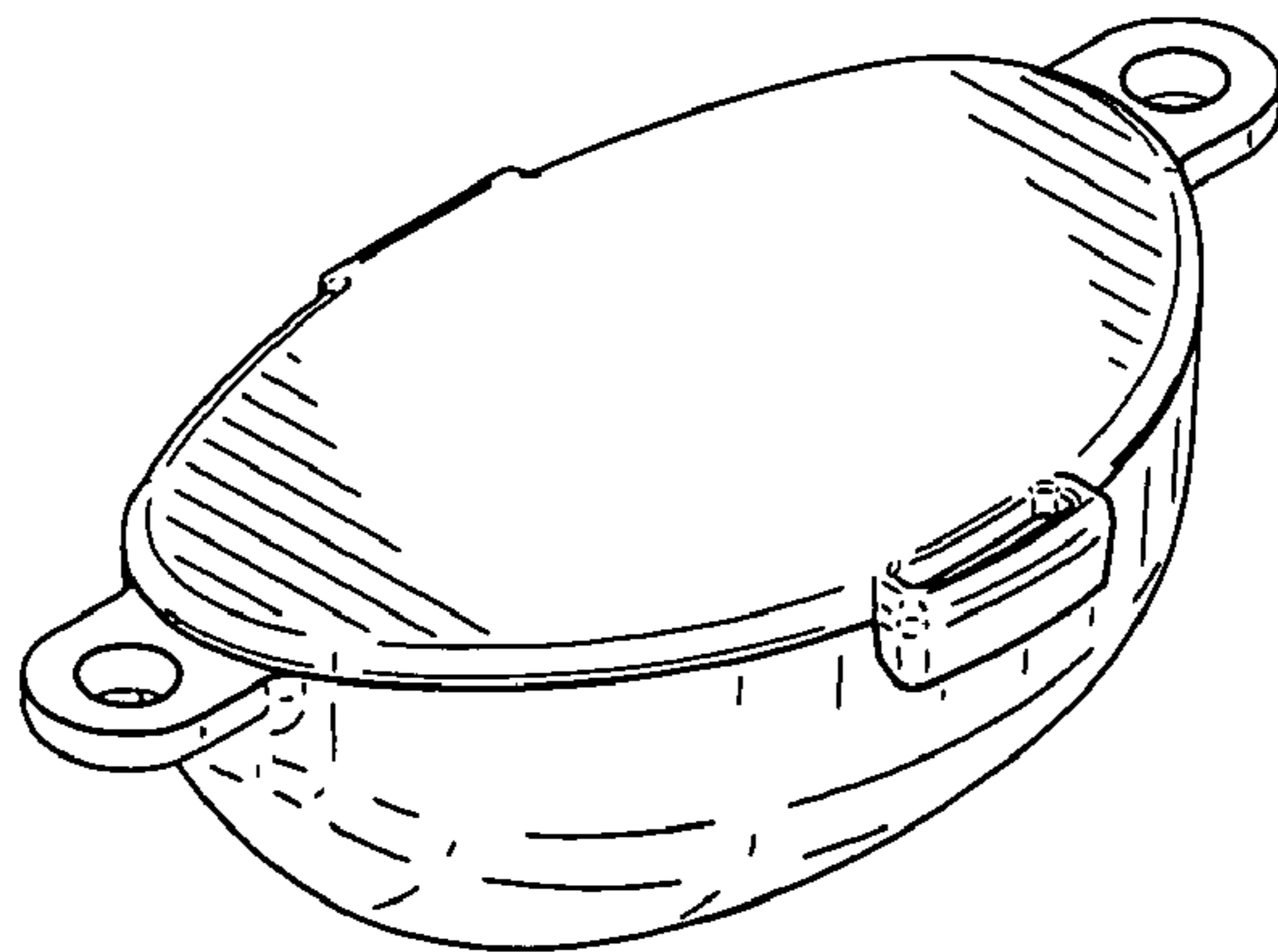


Fig. 2

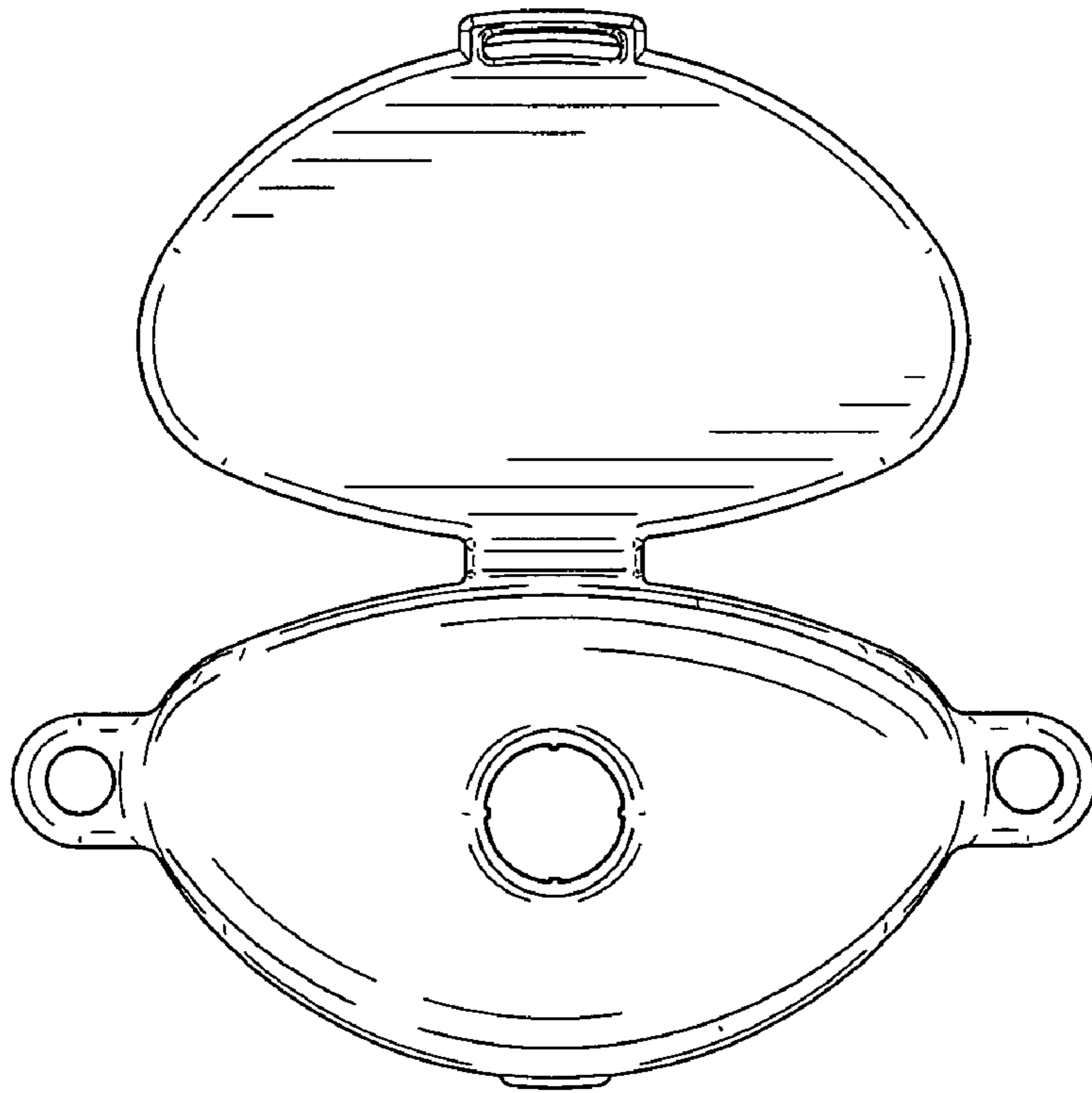


Fig. 3

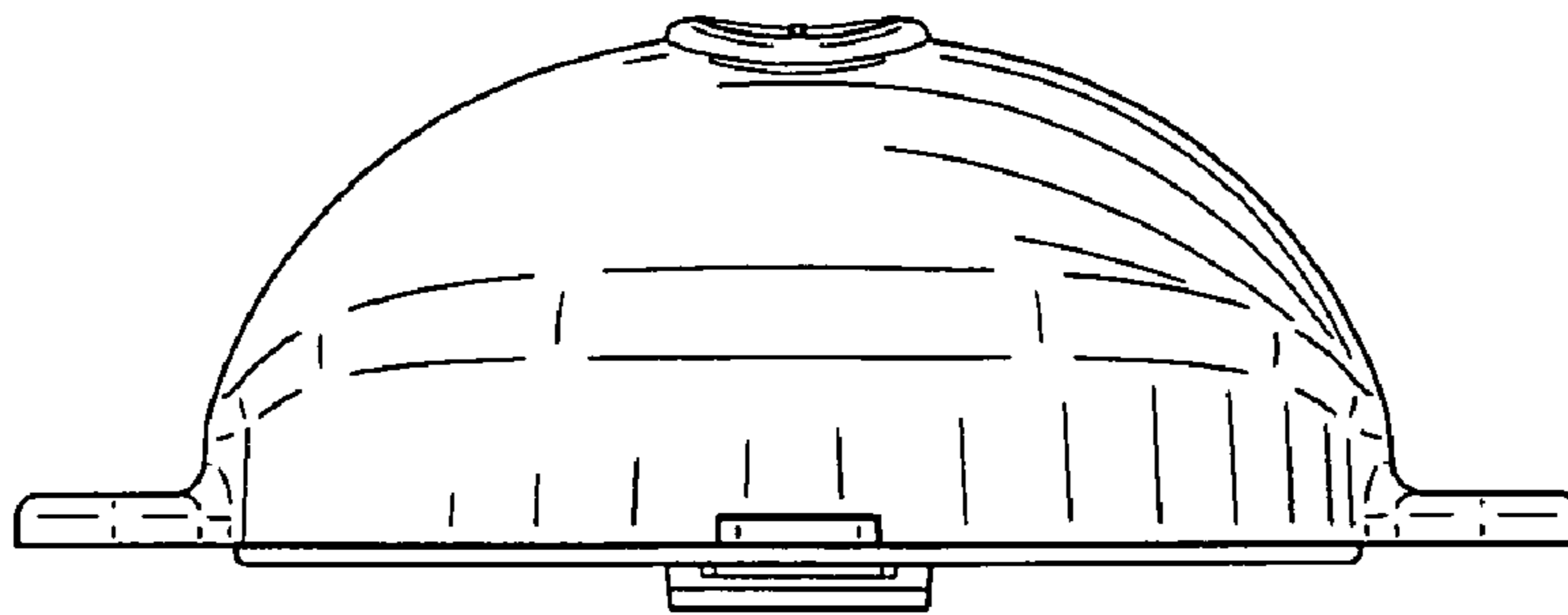


Fig. 4

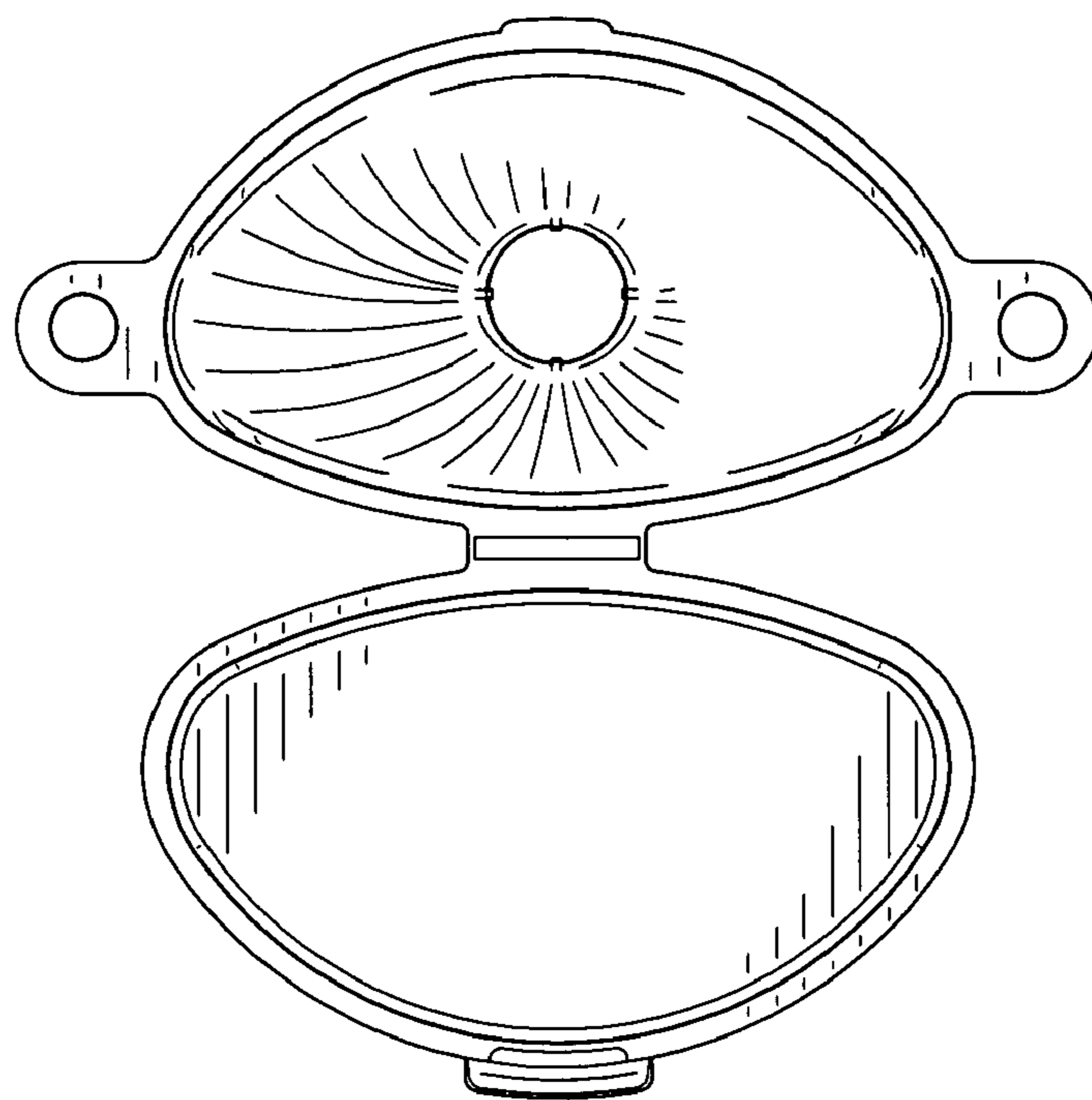


Fig. 5

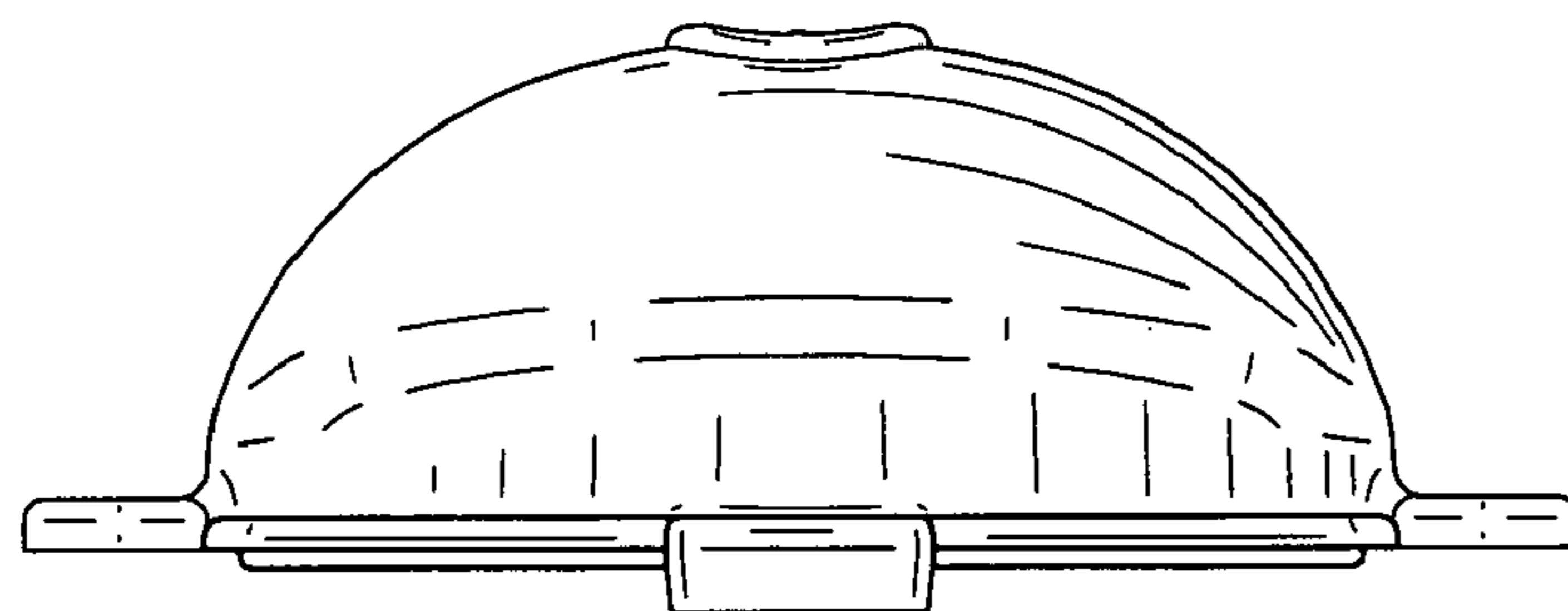


Fig. 6

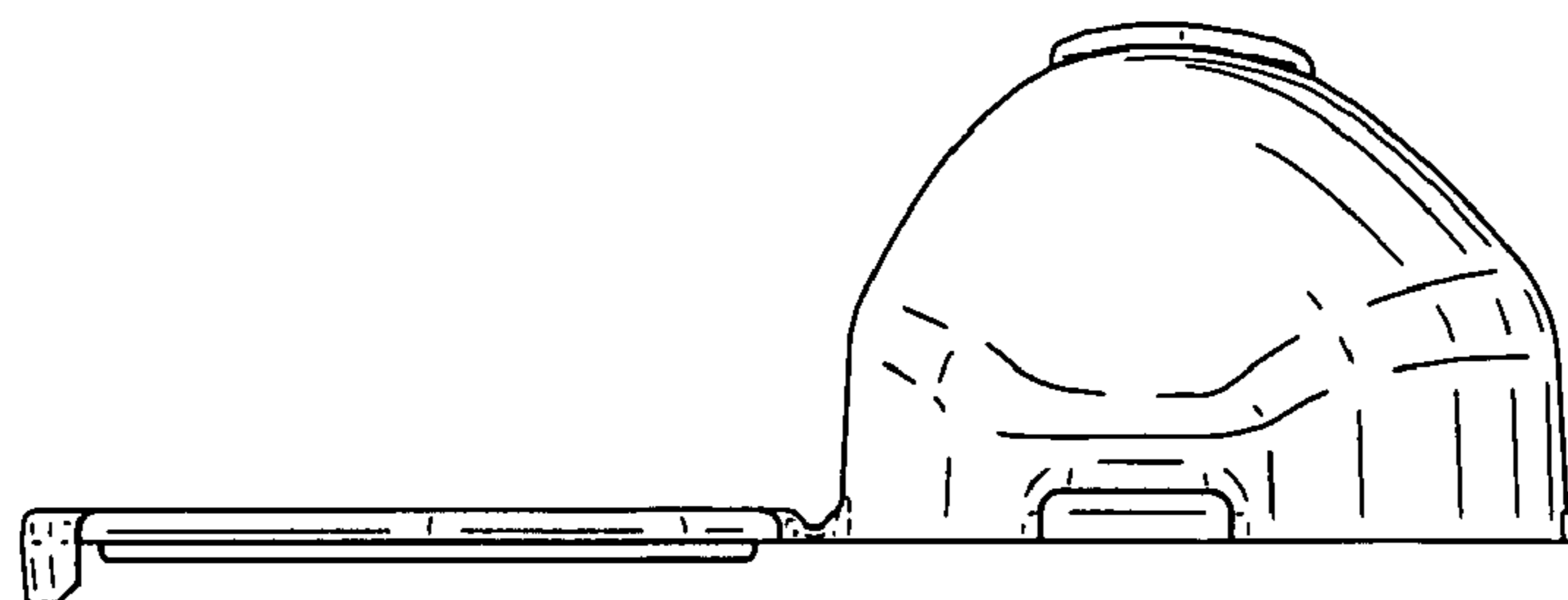


Fig. 7