



US00D594499S

(12) **United States Design Patent**  
**McKay**

(10) **Patent No.:** **US D594,499 S**  
(45) **Date of Patent:** **\*\* Jun. 16, 2009**

(54) **TRIPOD HEAD**

(76) **Inventor:** **Thomas McKay**, P.O. Box 27378,  
Austin, TX (US) 78755

(\*\*) **Term:** **14 Years**

(21) **Appl. No.:** **29/300,564**

(22) **Filed:** **Apr. 10, 2008**

(51) **LOC (9) Cl.** ..... **16-05**

(52) **U.S. Cl.** ..... **D16/245**

(58) **Field of Classification Search** ..... D16/242,  
D16/244, 245; 248/183.1, 183.2; 396/419,  
396/421, 422, 428

See application file for complete search history.

(56) **References Cited**

**U.S. PATENT DOCUMENTS**

D145,466	S	*	8/1946	Sparke	.....	D16/245
D152,247	S	*	1/1949	Flesh	.....	D16/245
4,569,579	A	*	2/1986	Kangas	.....	396/428
4,736,217	A	*	4/1988	McDowell	.....	396/428
D343,853	S	*	2/1994	Haung	.....	D16/245
D357,031	S	*	4/1995	Hanke	.....	D16/245

\* cited by examiner

*Primary Examiner*—Adir Aronovich

(74) *Attorney, Agent, or Firm*—Jacobson Holman PLLC

(57) **CLAIM**

The ornamental design for a tripod head, as shown and described.

**DESCRIPTION**

FIG. 1 is a perspective view of a tripod head showing my new design.

FIG. 2 is a reduced right side elevational view of the tripod head of FIG. 1.

FIG. 3 is a reduced front elevational view of the tripod head of FIG. 1.

FIG. 4 is a reduced left side elevational view of the tripod head of FIG. 1.

FIG. 5 is a reduced rear elevational view of the tripod head of FIG. 1.

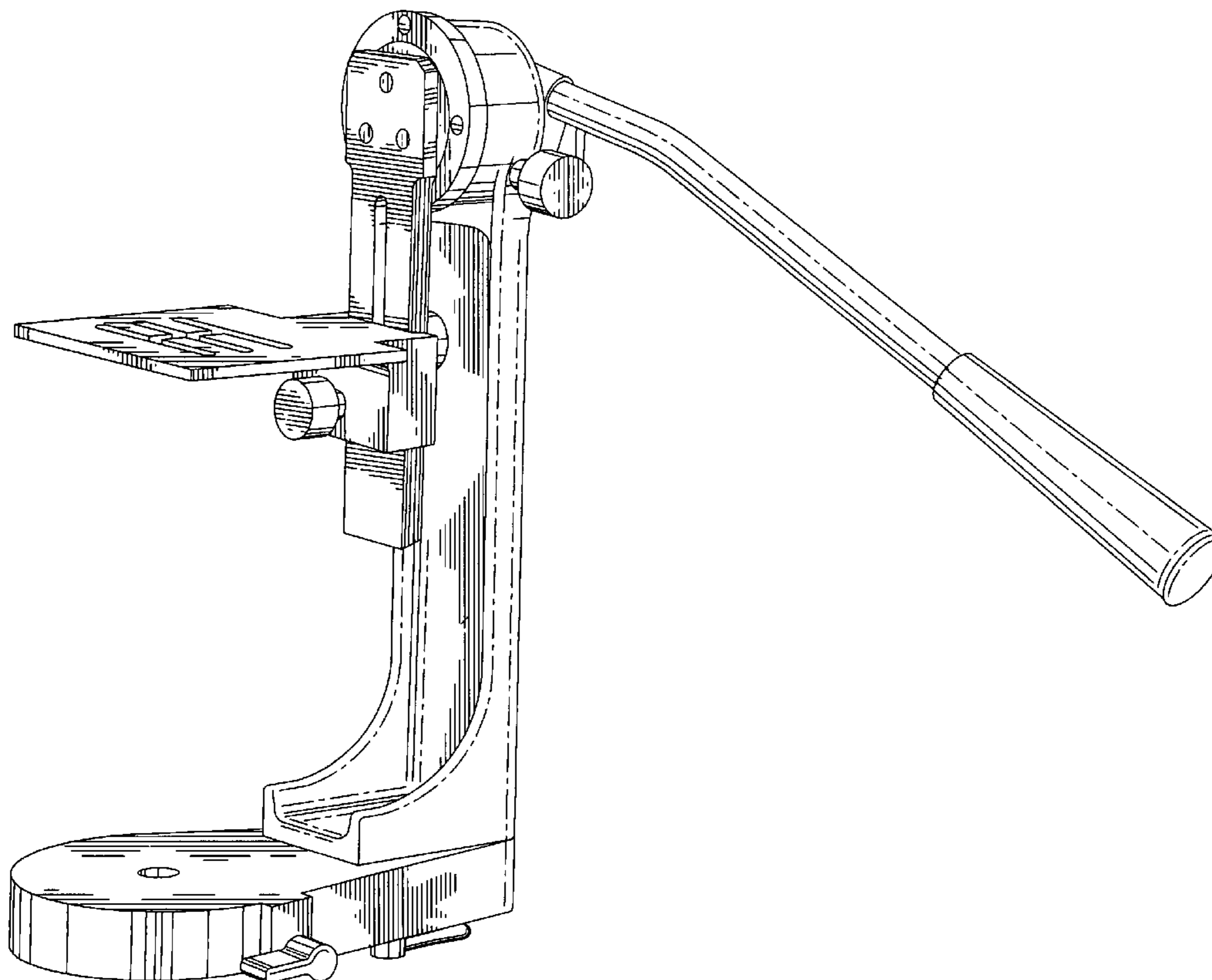
FIG. 6 is a top plan view of the tripod head of FIG. 1.

FIG. 7 is a bottom plan view of the tripod head of FIG. 1; and,

FIG. 8 is an enlarged front elevational view of the tripod head of FIG. 3.

The broken line showing of a camera in FIG. 8 is included for the purpose of illustrating use and environment and forms no part of the claimed design.

**1 Claim, 5 Drawing Sheets**



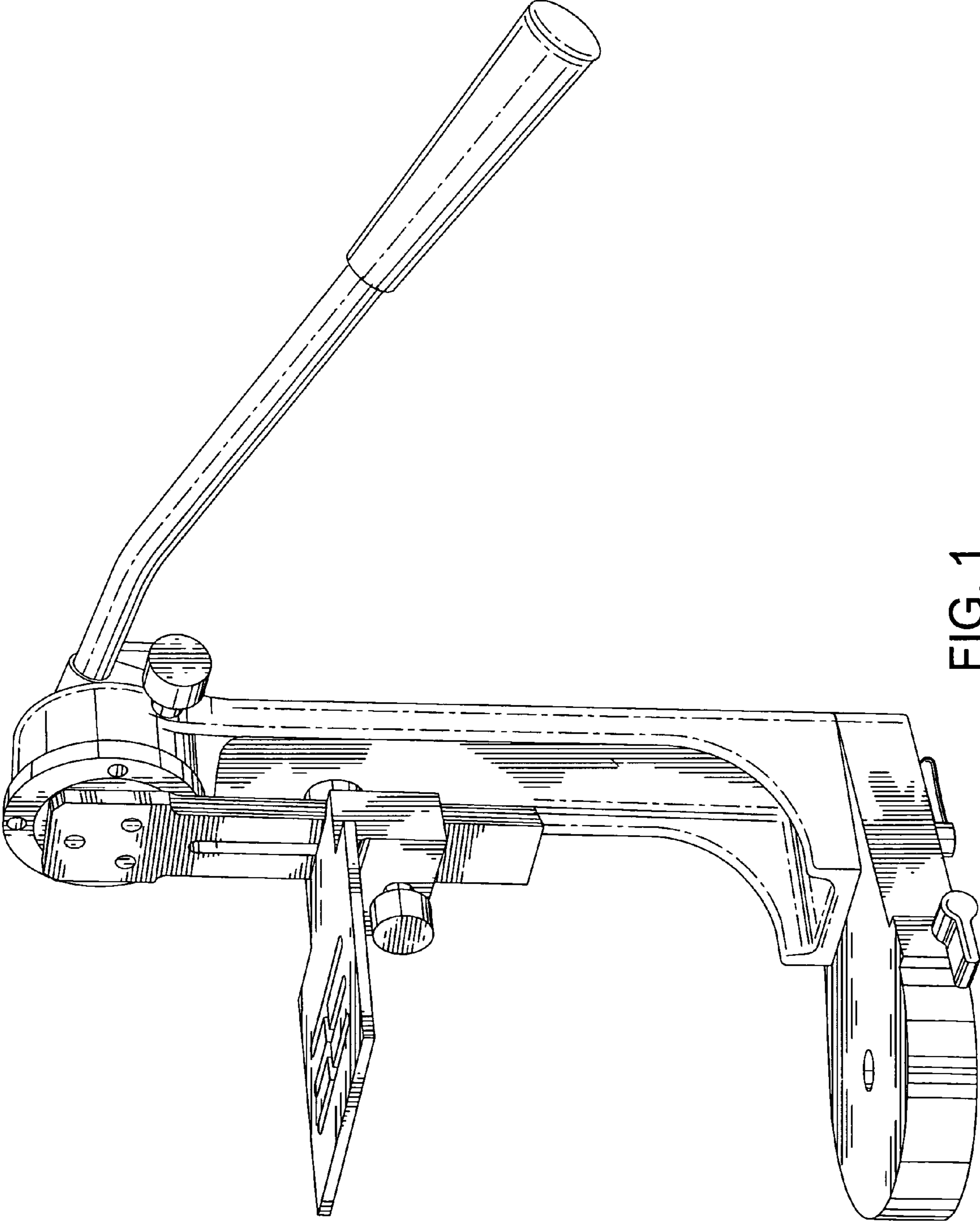


FIG. 1

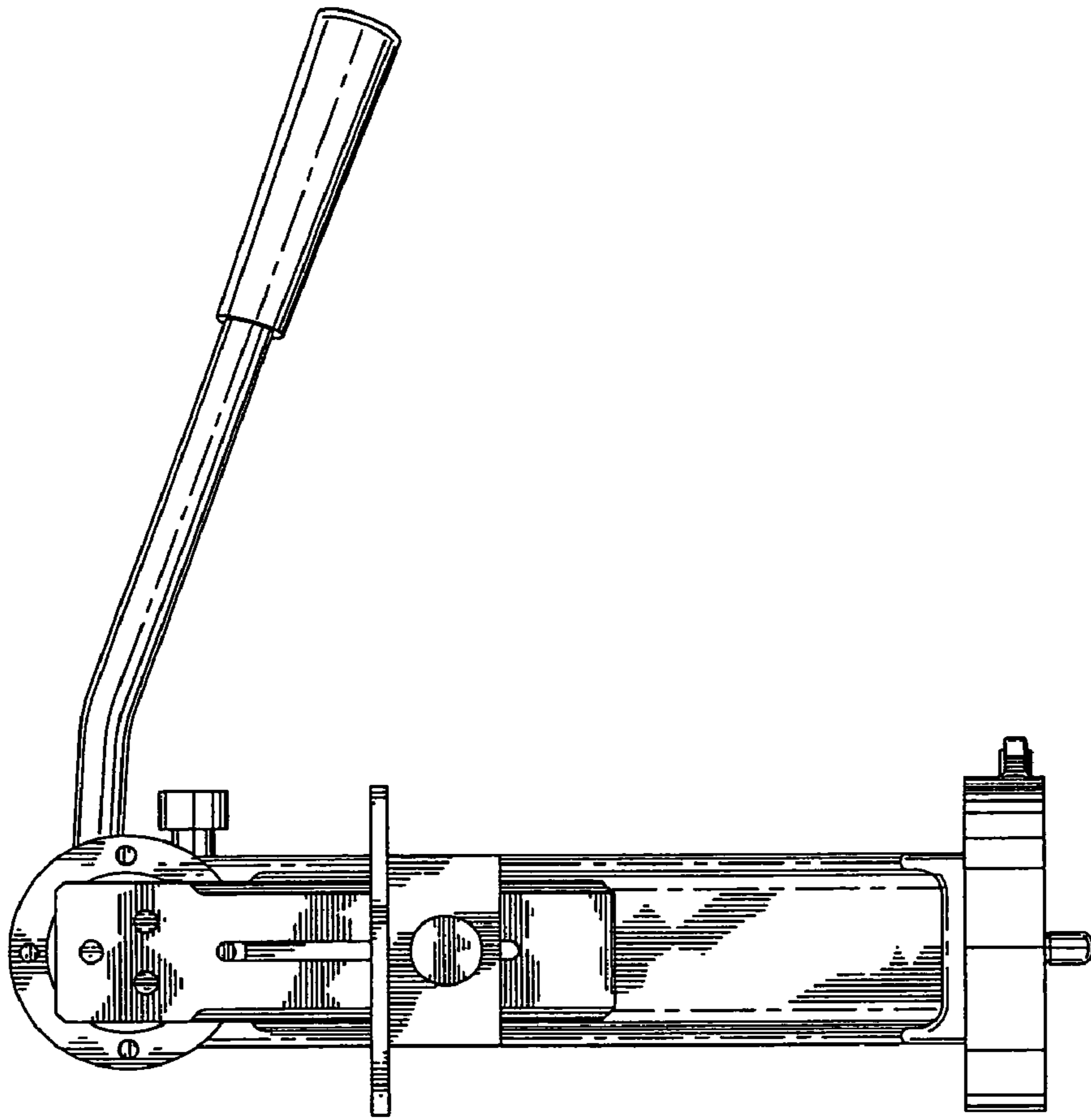


FIG. 3

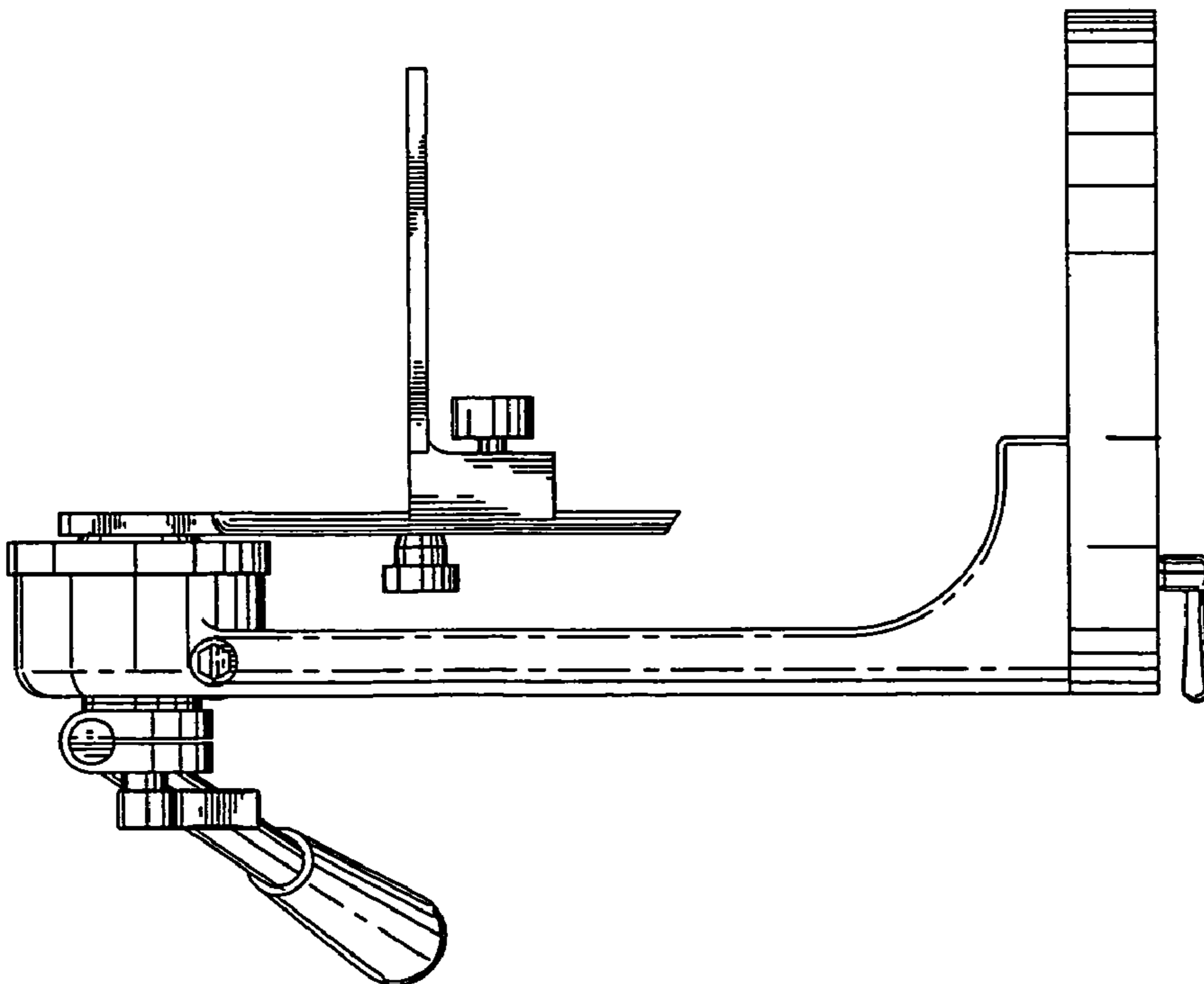


FIG. 2

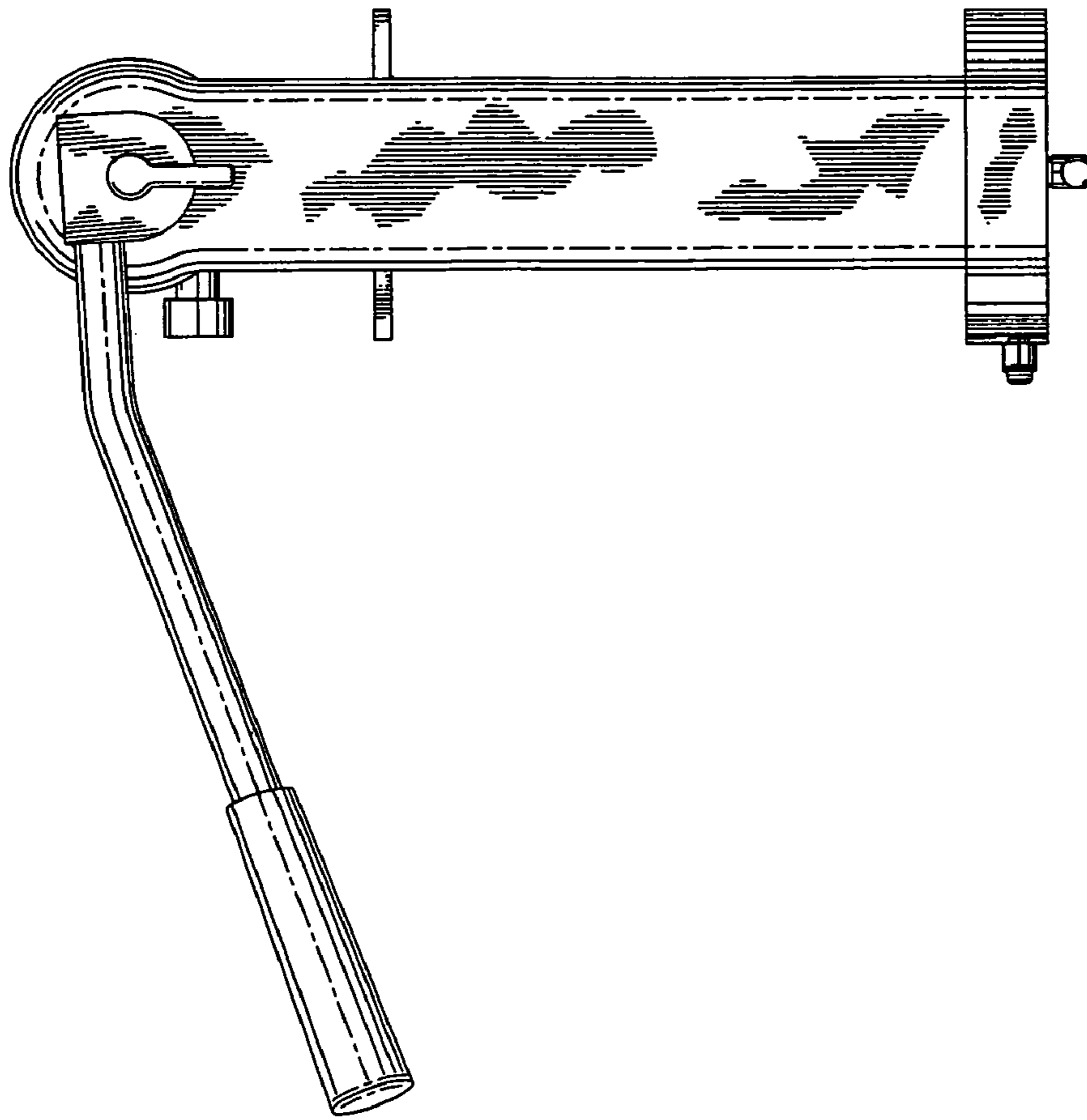


FIG. 5

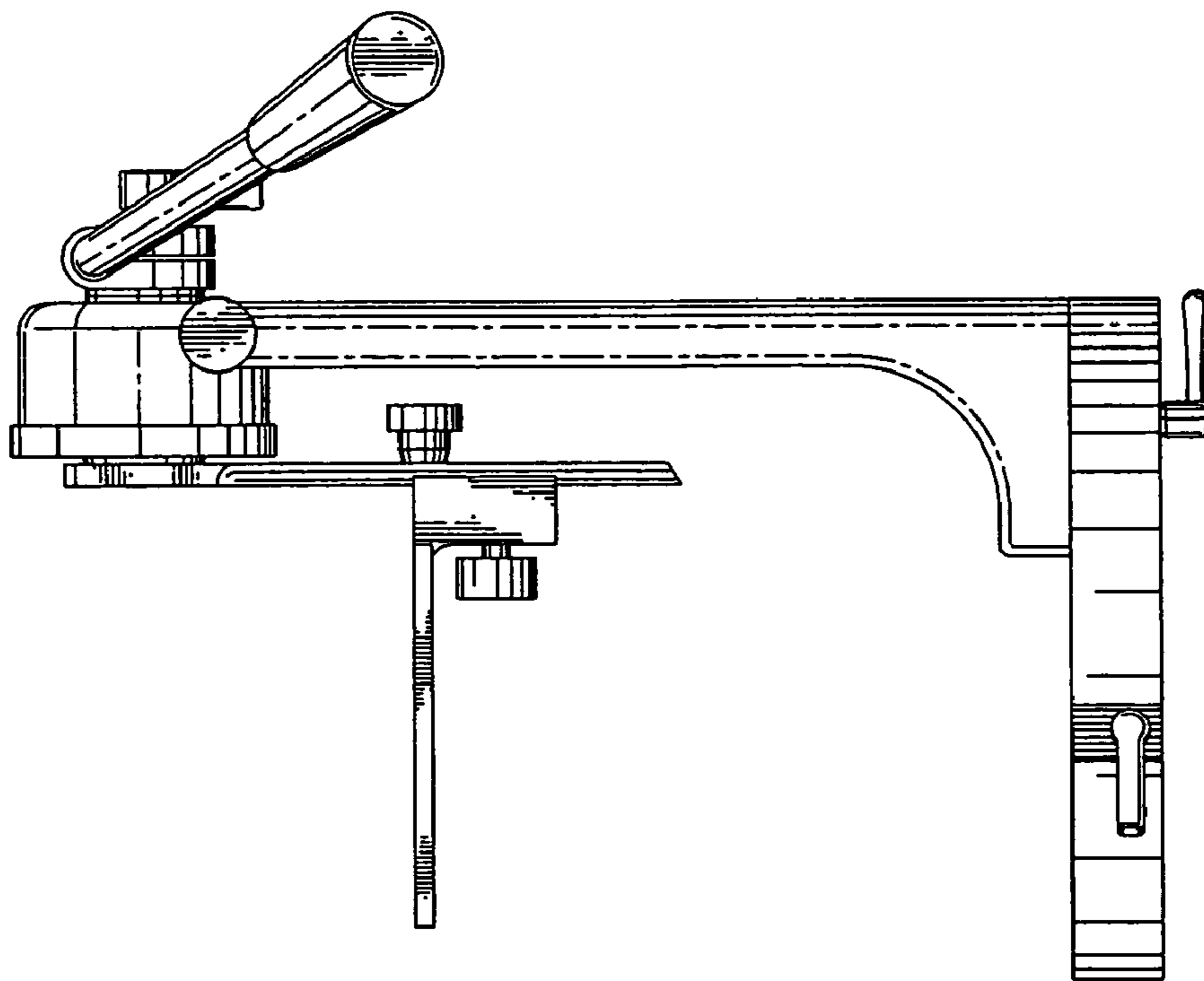


FIG. 4

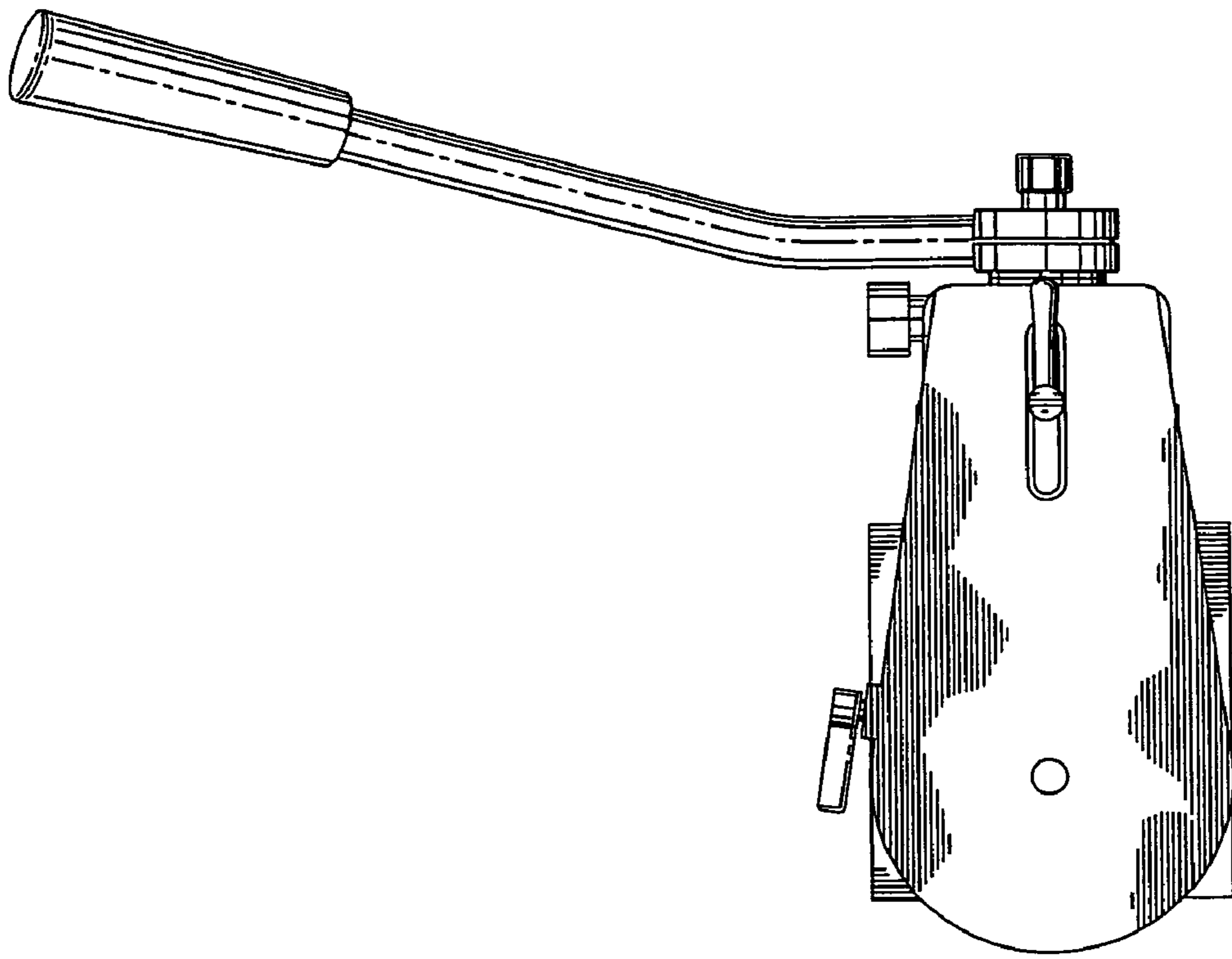


FIG. 7

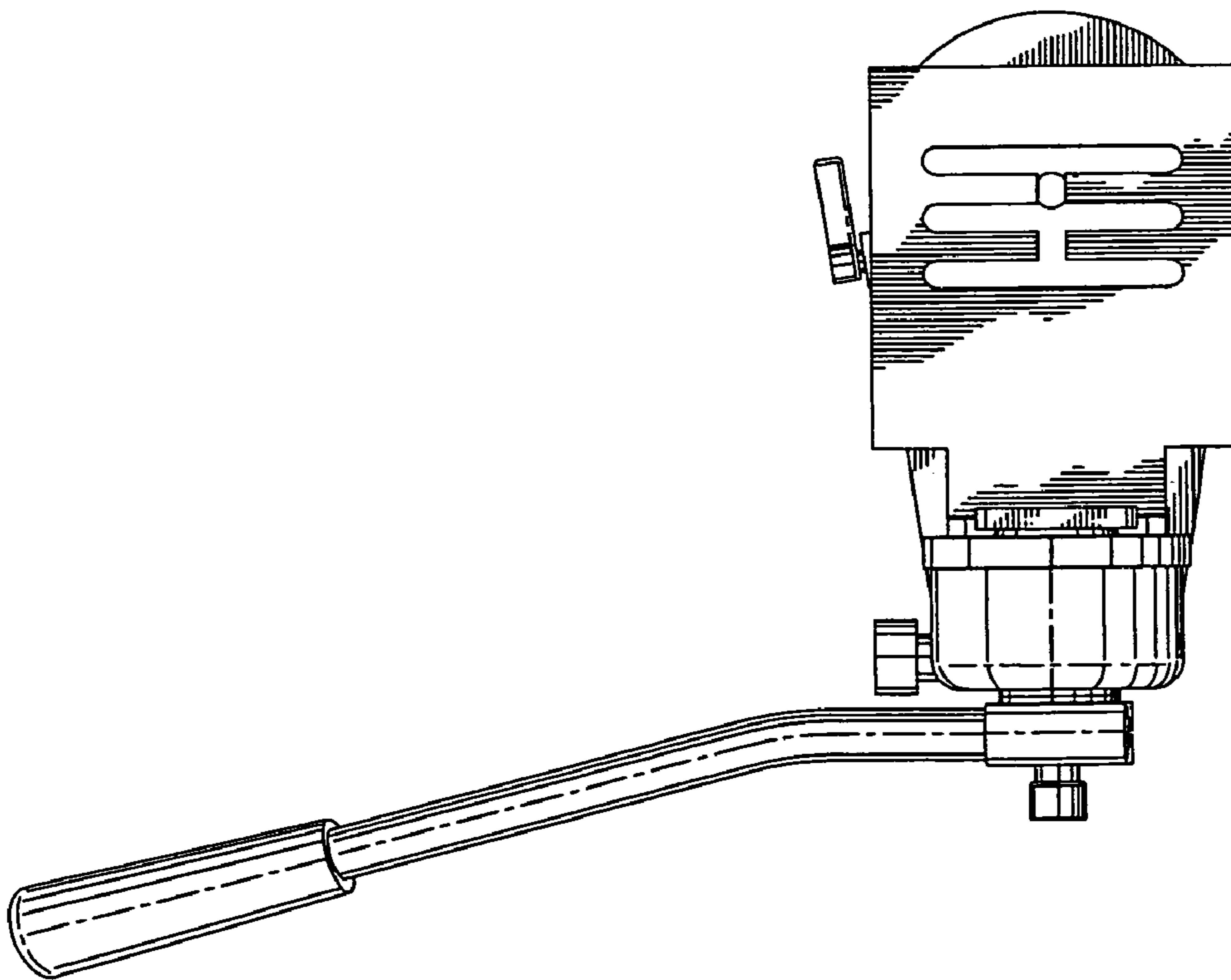


FIG. 6

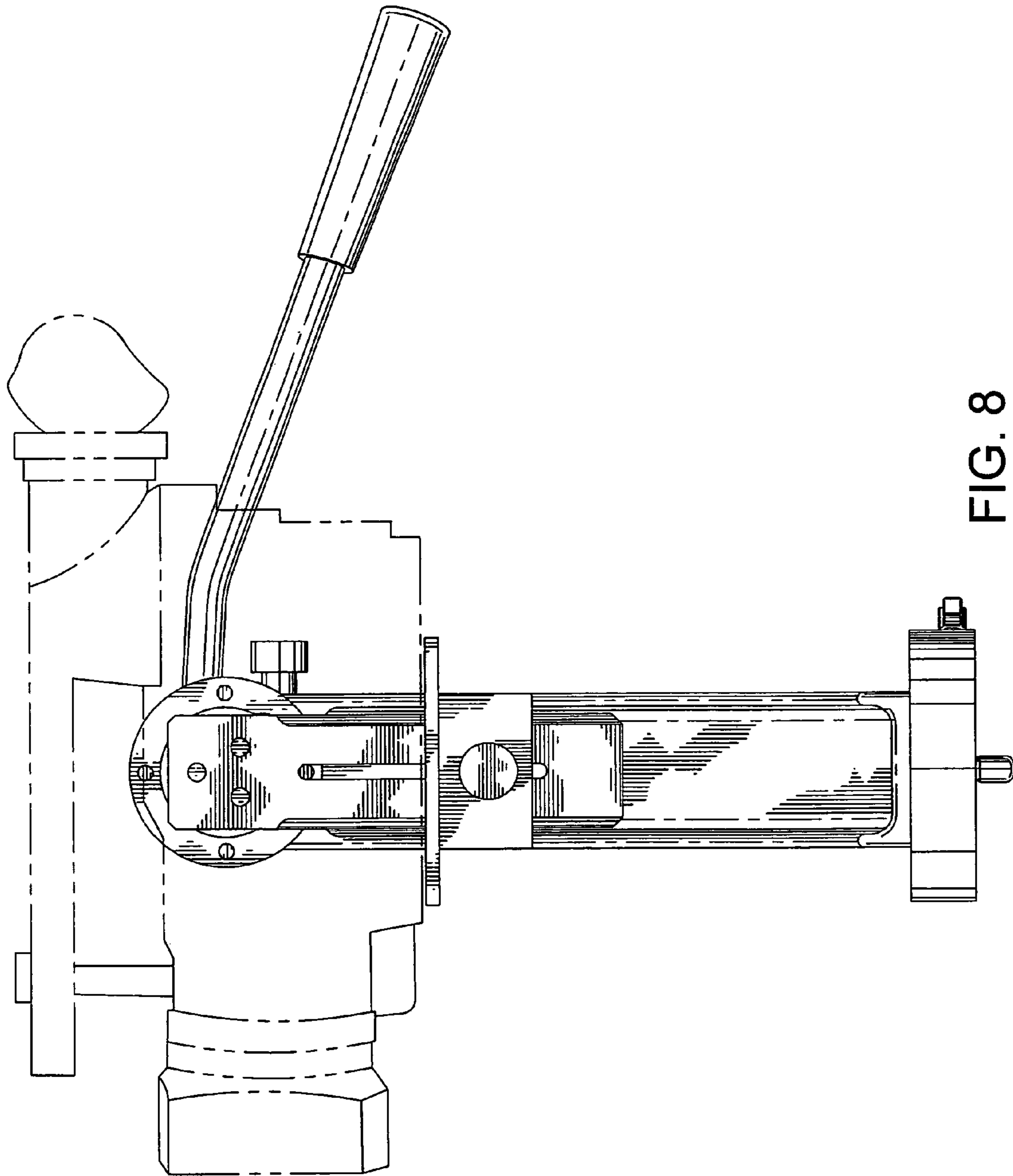


FIG. 8