



US00D594498S

(12) **United States Design Patent**
Nagase

(10) **Patent No.:** **US D594,498 S**
(45) **Date of Patent:** **** Jun. 16, 2009**

(54) **PORTION OF A DATA PROJECTOR**

(75) Inventor: **Koji Nagase**, Hachioji (JP)

(73) Assignee: **Kabushiki Kaisha Toshiba**, Tokyo (JP)

(**) Term: **14 Years**

(21) Appl. No.: **29/321,425**

(22) Filed: **Jul. 16, 2008**

(30) **Foreign Application Priority Data**

May 16, 2008 (JP) 2008-012204

(51) **LOC (9) Cl.** **16-02**

(52) **U.S. Cl.** **D16/235; D16/230**

(58) **Field of Classification Search** D16/200,
D16/202-203, 205, 208, 221, 225, 230-231,
D16/234; D21/514; 353/115, 119, 122
See application file for complete search history.

(56) **References Cited**

U.S. PATENT DOCUMENTS

- D420,031 S * 2/2000 Yamano D16/230
- D439,923 S * 4/2001 Kawamoto D16/231
- D454,903 S * 3/2002 Kawamoto et al. D16/231
- D473,252 S 4/2003 Shimamoto et al.
- D473,253 S 4/2003 Shimamoto
- D476,353 S 6/2003 Morishita et al.
- D480,408 S * 10/2003 Kawashima D16/230
- D482,381 S 11/2003 Morishita et al.
- D489,391 S * 5/2004 Morishita et al. D16/230
- D491,973 S 6/2004 Morishita et al.
- D492,714 S 7/2004 Morishita et al.
- D498,250 S 11/2004 Kawasaki et al.
- D498,781 S 11/2004 Azuma et al.
- D502,486 S 3/2005 Kawasaki et al.
- D506,770 S 6/2005 Saeki et al.

- D506,771 S 6/2005 Ooshima et al.
- D517,588 S * 3/2006 Yamada et al. D16/230
- D518,845 S * 4/2006 Uchida D16/230
- D531,201 S * 10/2006 Azuma D16/230
- D545,863 S 7/2007 Kawashima
- D551,689 S 9/2007 Sakaguchi et al.
- D552,656 S 10/2007 Oota et al.
- D565,079 S * 3/2008 Inoue et al. D16/235
- D572,744 S 7/2008 Fujita et al.
- D574,876 S 8/2008 Yano

FOREIGN PATENT DOCUMENTS

- JP D1129442 12/2001
- JP D1321429 2/2008

* cited by examiner

Primary Examiner—Ian Simmons

Assistant Examiner—Wan Laymon

(74) *Attorney, Agent, or Firm*—Banner & Witcoff, Ltd.

(57) **CLAIM**

The ornamental design for a portion of a data projector, as shown and described. The broken lines are for illustrative purposes only and form no part of the claimed design.

DESCRIPTION

FIG. 1 is a front, top and right side perspective view of a portion of a data projector, showing my new design;

FIG. 2 is a front elevational thereof;

FIG. 3 is a rear elevational view thereof;

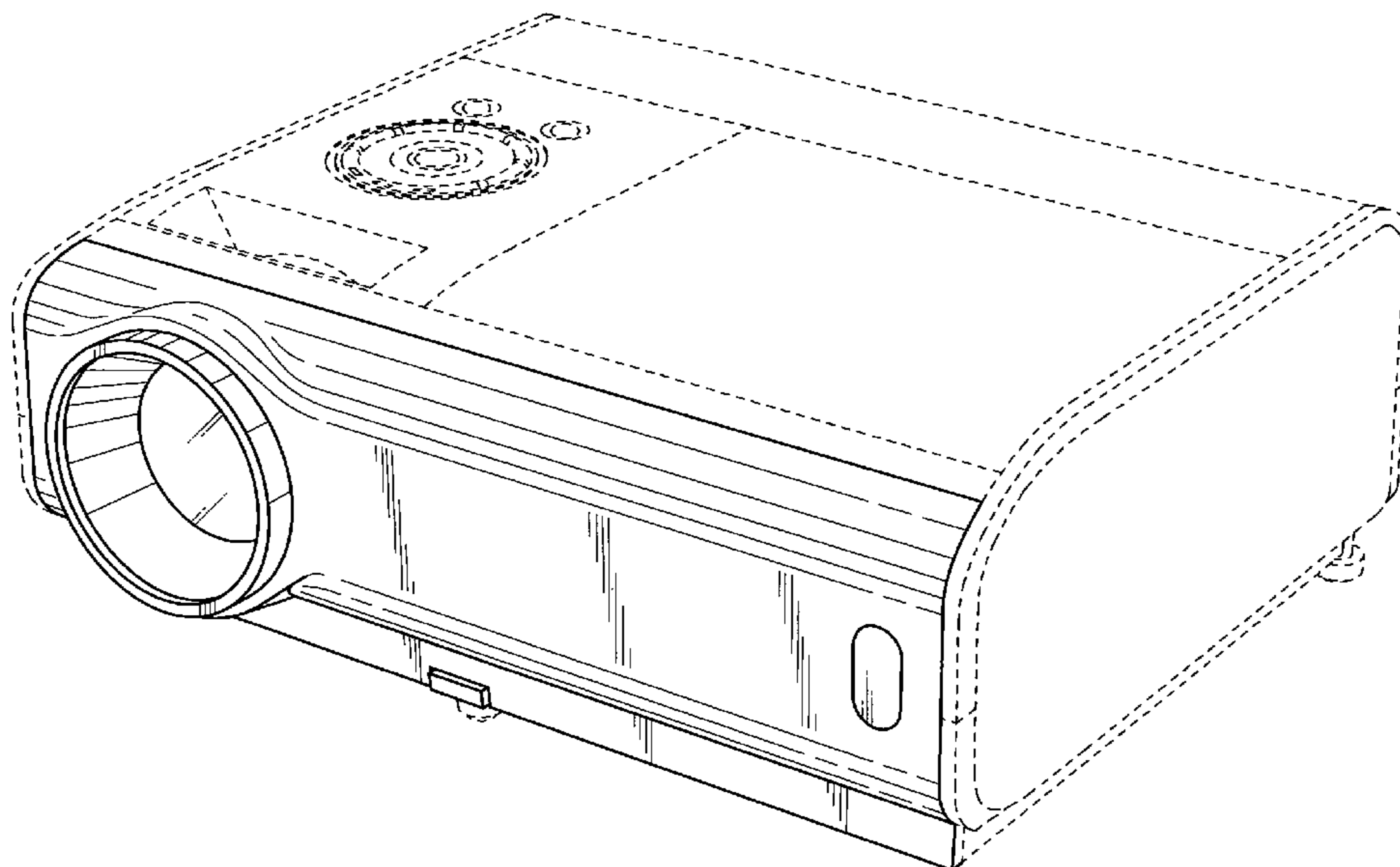
FIG. 4 is a top plan view thereof;

FIG. 5 is a bottom plan view thereof;

FIG. 6 is a right side elevational view thereof; and,

FIG. 7 is a left side elevational view thereof.

1 Claim, 7 Drawing Sheets



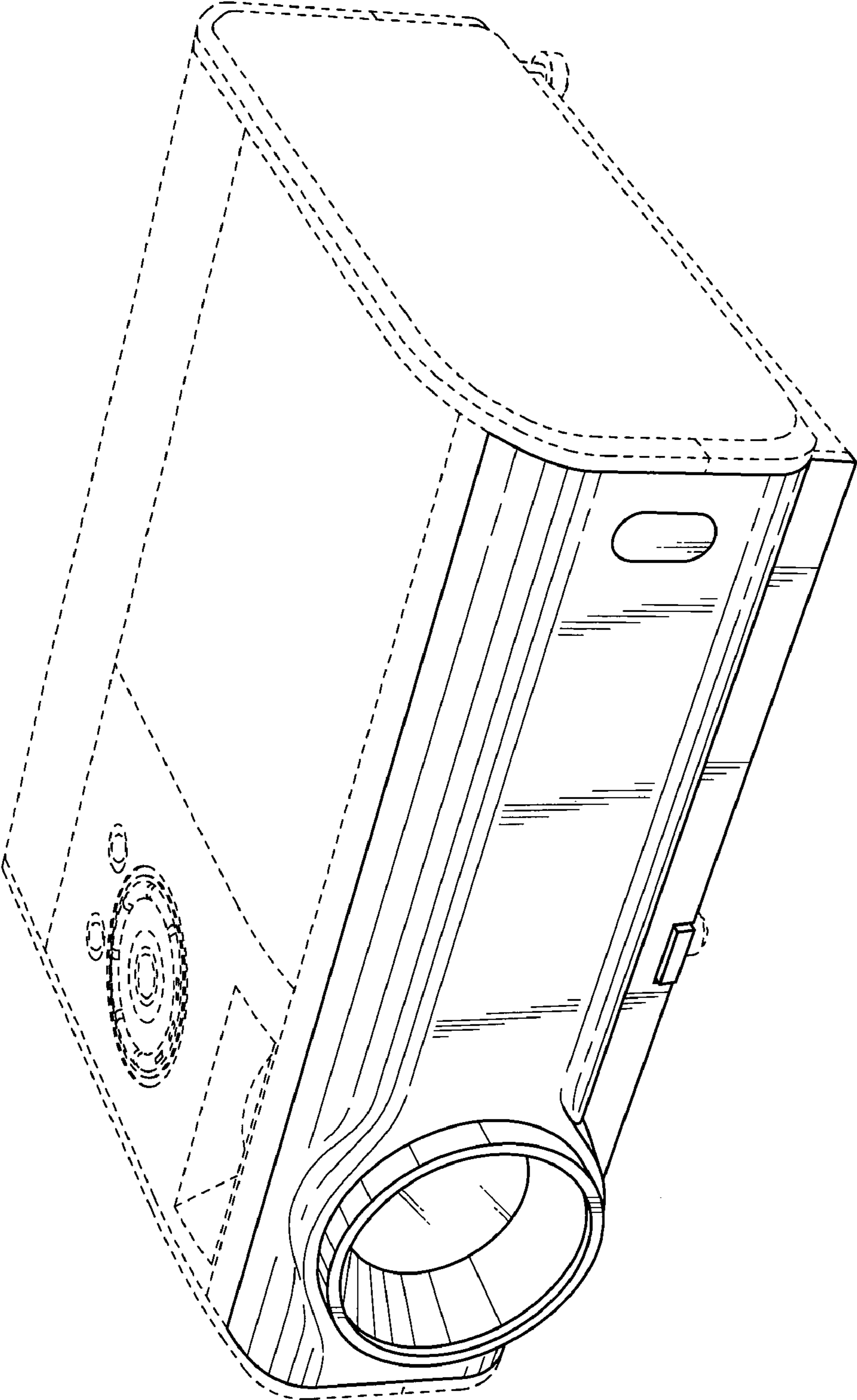


FIG.1

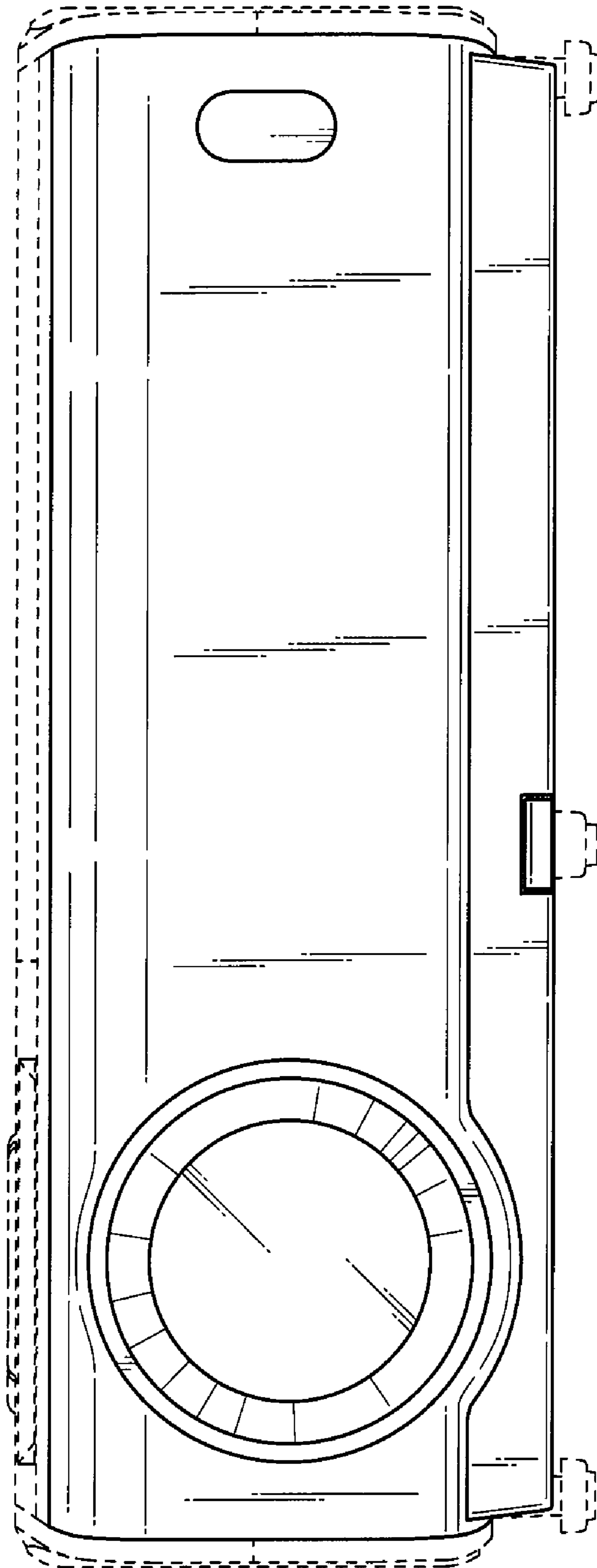


FIG.2

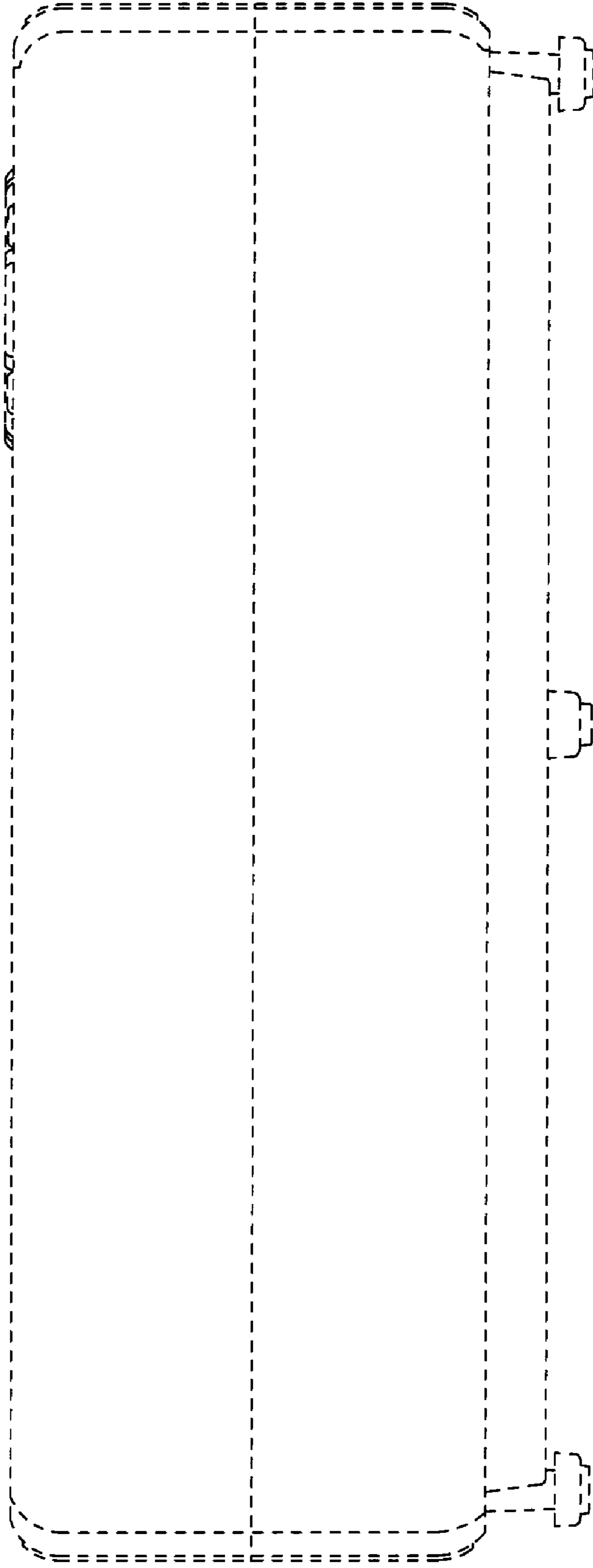


FIG.3

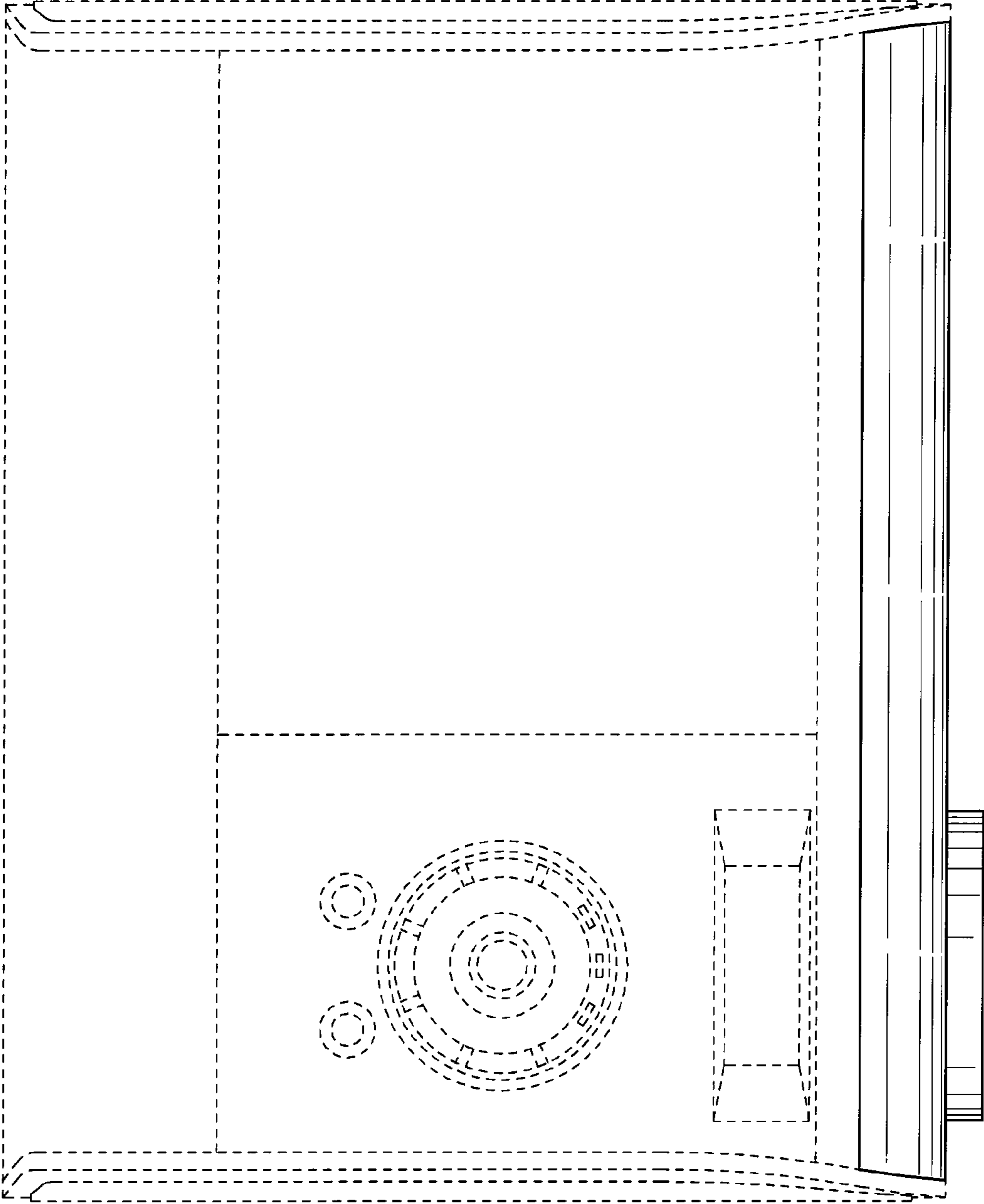


FIG.4

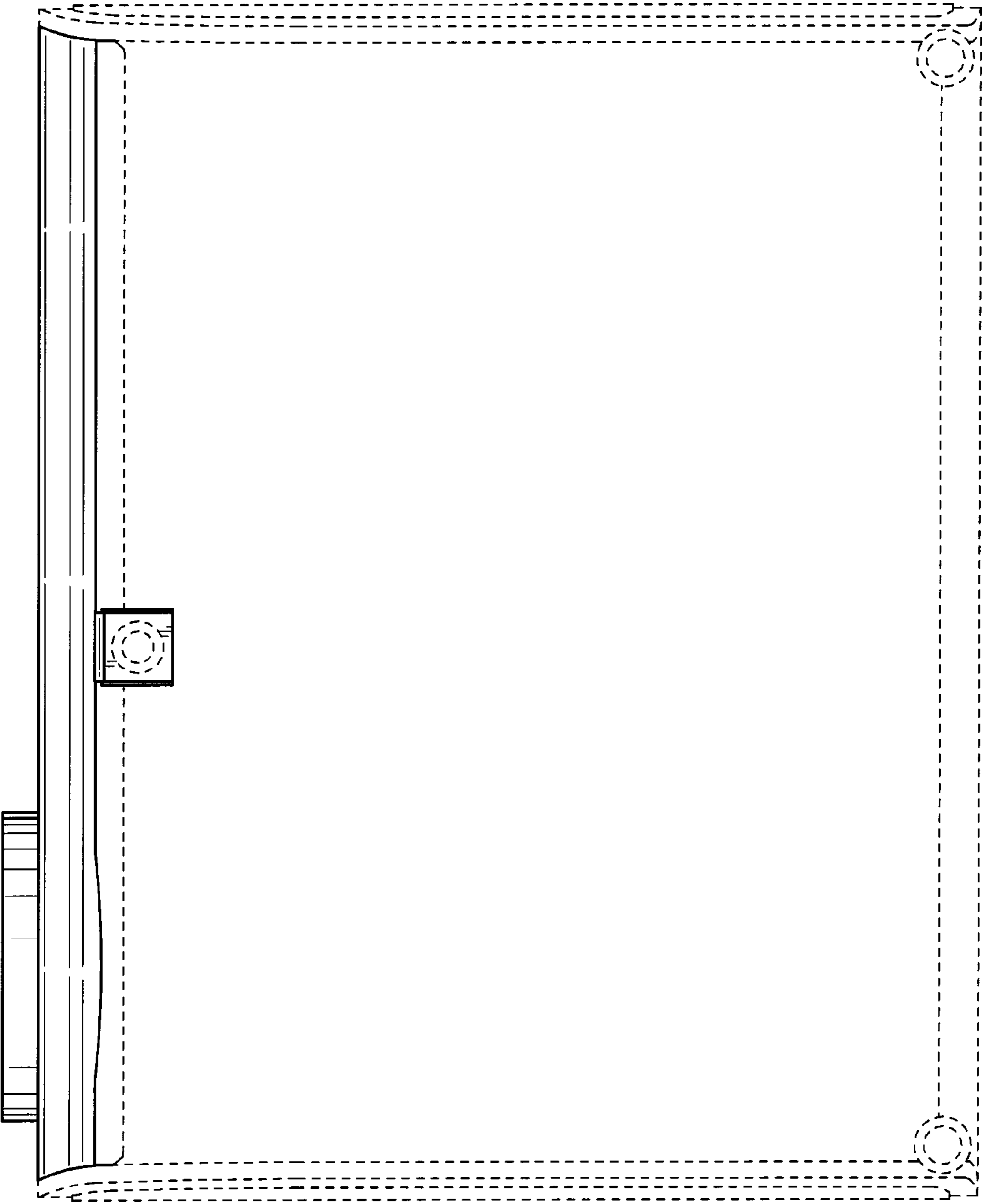


FIG.5

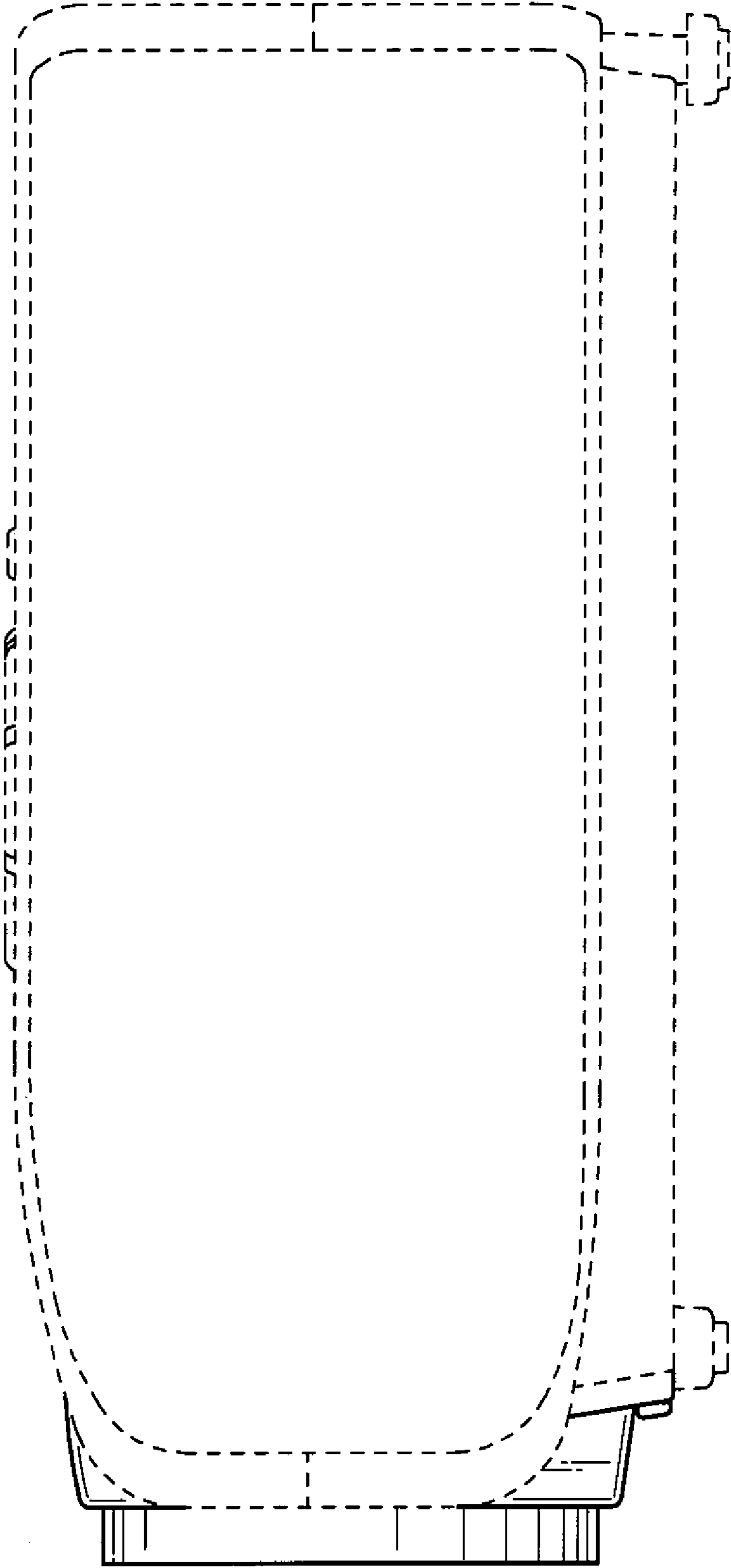


FIG.6

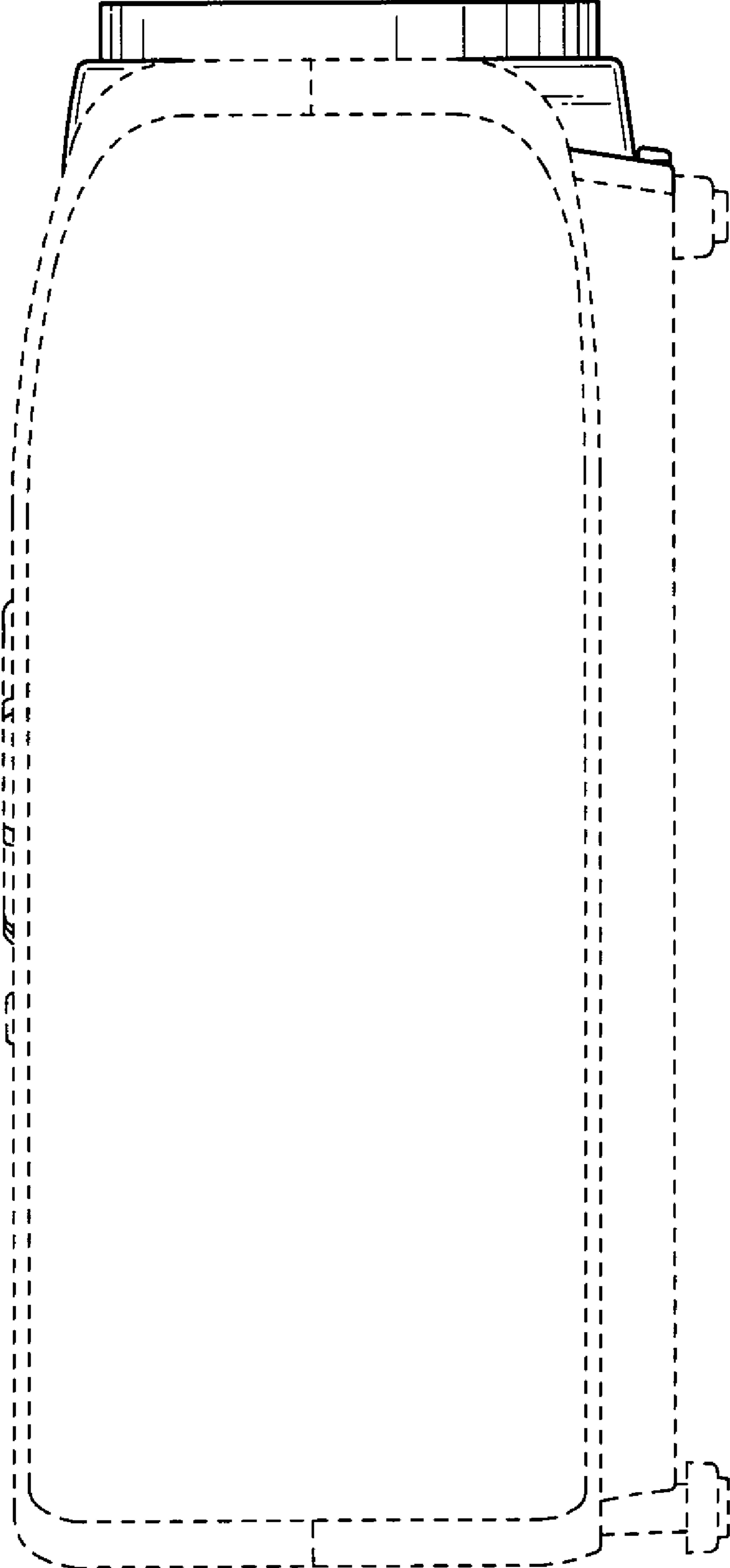


FIG.7