



US00D594497S

(12) **United States Design Patent**  
**Hatori et al.**

(10) **Patent No.:** **US D594,497 S**  
(45) **Date of Patent:** **\*\* Jun. 16, 2009**

(54) **CAMERA**

(75) Inventors: **Koji Hatori**, Osaka (JP); **Yasuki Yamakawa**, Osaka (JP)

(73) Assignee: **Panasonic Corporation**, Osaka (JP)

(\*\*) Term: **14 Years**

(21) Appl. No.: **29/317,810**

(22) Filed: **May 7, 2008**

(30) **Foreign Application Priority Data**

Nov. 16, 2007 (JP) ..... 2007-031605

(51) **LOC (9) Cl.** ..... **16-01**

(52) **U.S. Cl.** ..... **D16/202; D16/203**

(58) **Field of Classification Search** ..... D16/200–205,  
D16/208, 218, 242; 348/14.01–14.1, 143,  
348/373–376; 358/909.1; 396/427, 535–541  
See application file for complete search history.

(56) **References Cited**

U.S. PATENT DOCUMENTS

D426,249 S \* 6/2000 Tsujimoto ..... D16/202  
6,437,826 B1 \* 8/2002 Arnold ..... 348/373  
D500,511 S \* 1/2005 Sybilrud ..... D16/203  
D509,842 S \* 9/2005 Ou ..... D16/202  
D536,719 S \* 2/2007 Lukic et al. .... D16/202  
7,202,904 B2 \* 4/2007 Wei ..... 348/373  
D545,858 S \* 7/2007 Li ..... D16/202

D550,738 S \* 9/2007 Hsia ..... D16/202  
D562,372 S \* 2/2008 Takahashi ..... D16/202  
D571,839 S \* 6/2008 Andresen ..... D16/202  
D577,049 S \* 9/2008 Lau et al. .... D16/203

FOREIGN PATENT DOCUMENTS

JP D835066 4/1992  
JP D839381 6/1992  
JP D1020808 9/1998  
JP D1173338 5/2003

\* cited by examiner

*Primary Examiner*—Adir Aronovich

(74) *Attorney, Agent, or Firm*—Brinks Hofer Gilson & Lione

(57) **CLAIM**

We claim the ornamental design for a camera, as shown and described.

**DESCRIPTION**

FIG. 1 is a top and right side perspective view of a camera of the present invention;

FIG. 2 is front elevational view thereof;

FIG. 3 is a rear elevational view thereof;

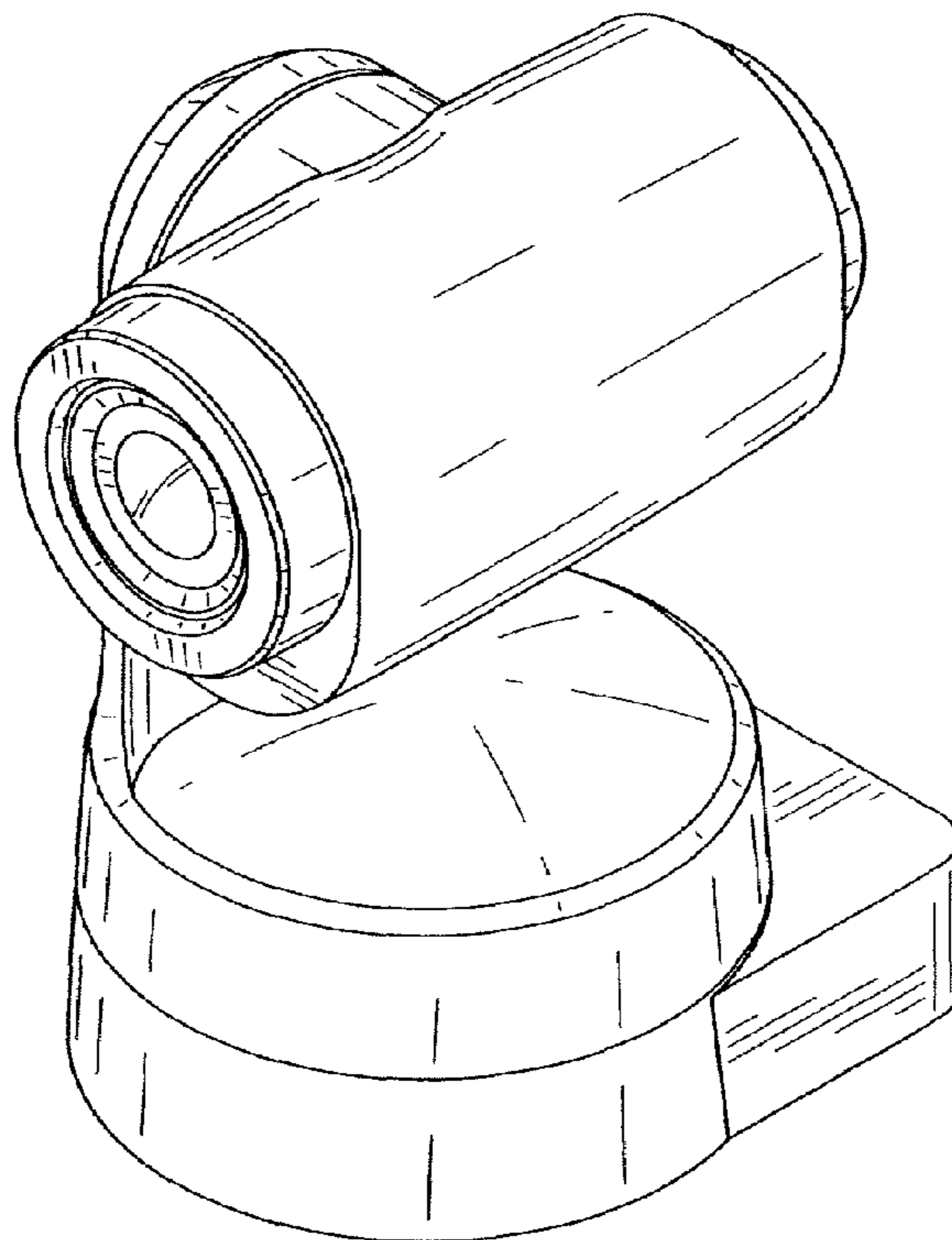
FIG. 4 is a left side elevational view thereof;

FIG. 5 is a right side elevational view thereof;

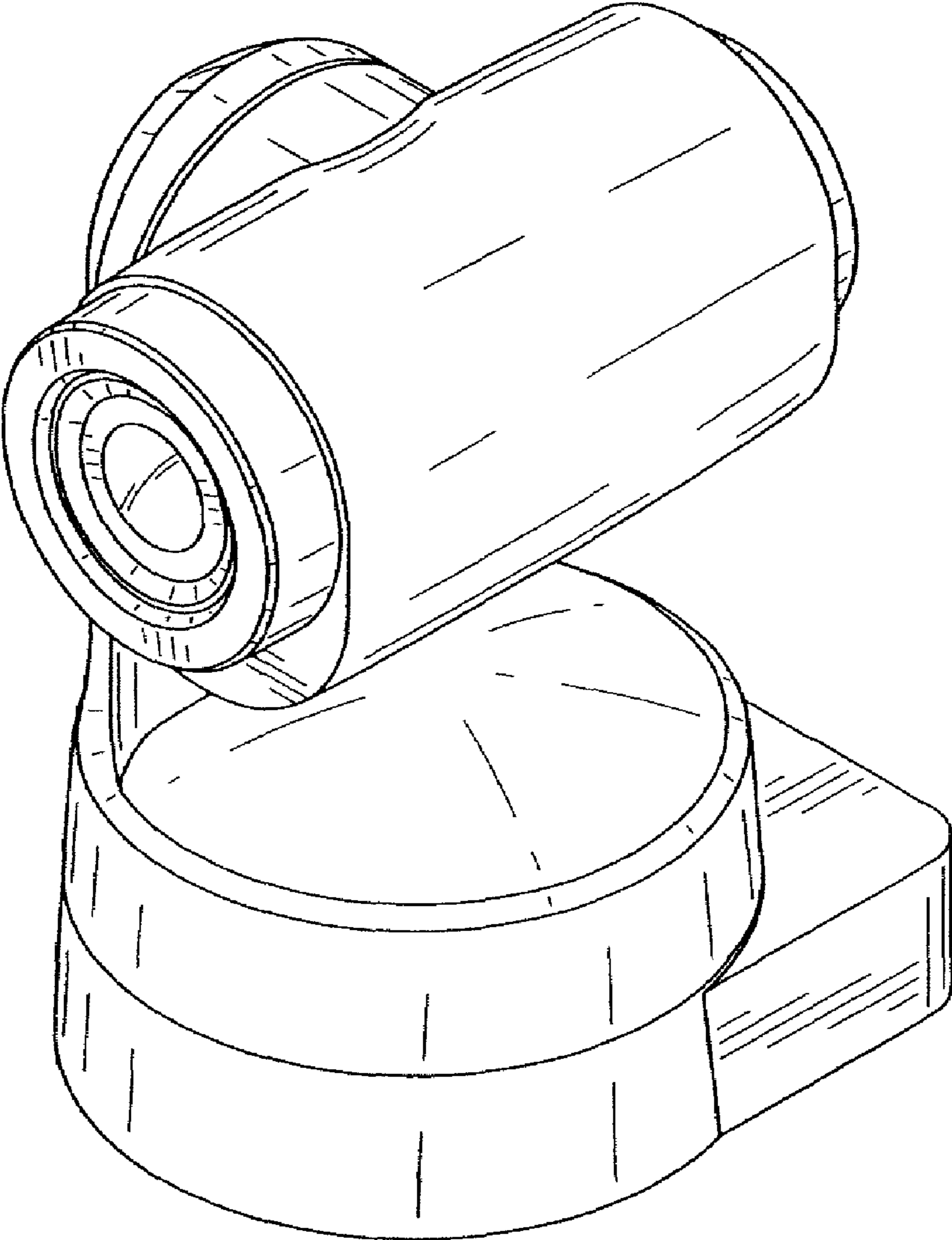
FIG. 6 is a top plan view thereof; and,

FIG. 7 is bottom plan view thereof.

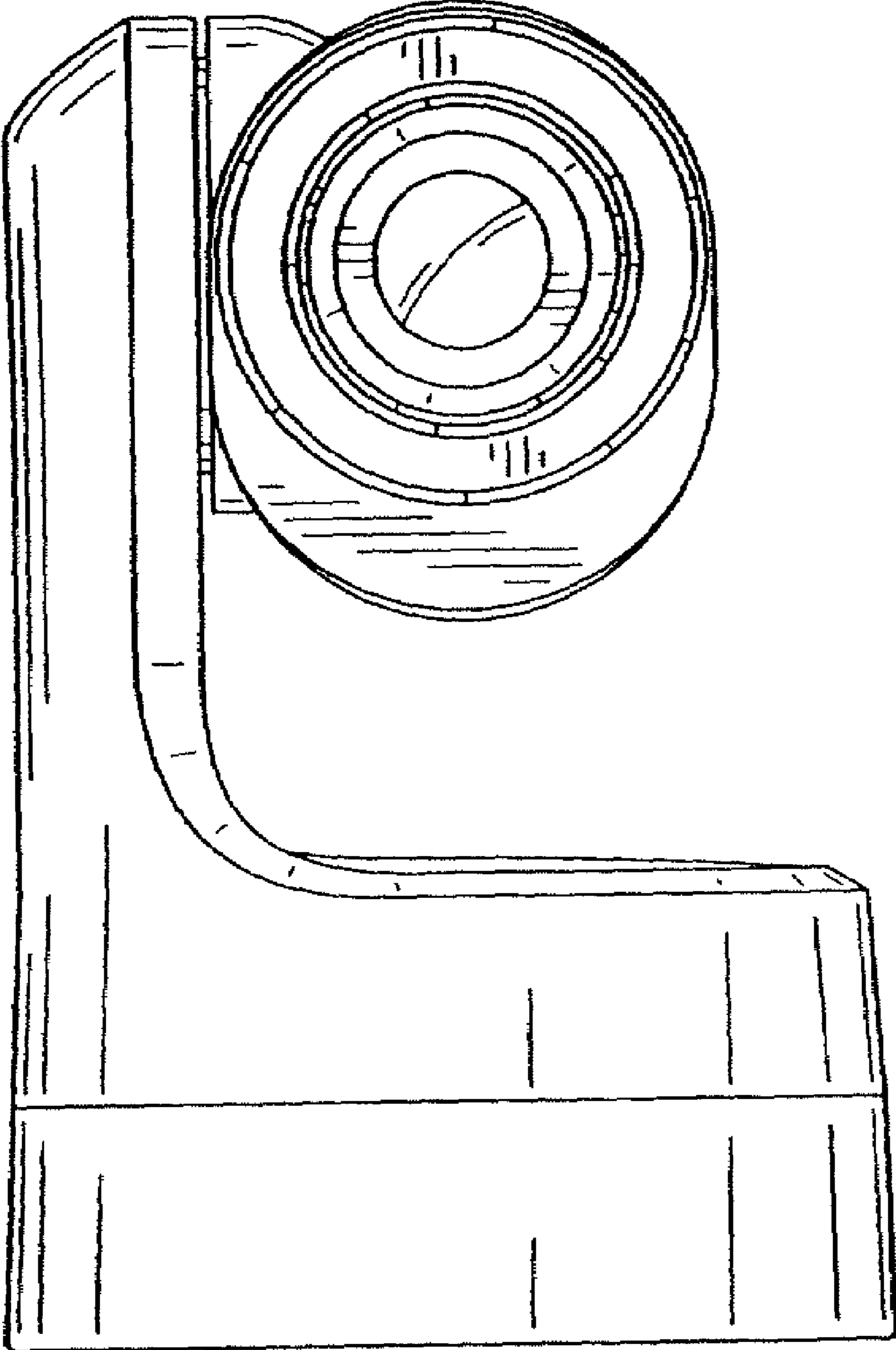
**1 Claim, 7 Drawing Sheets**



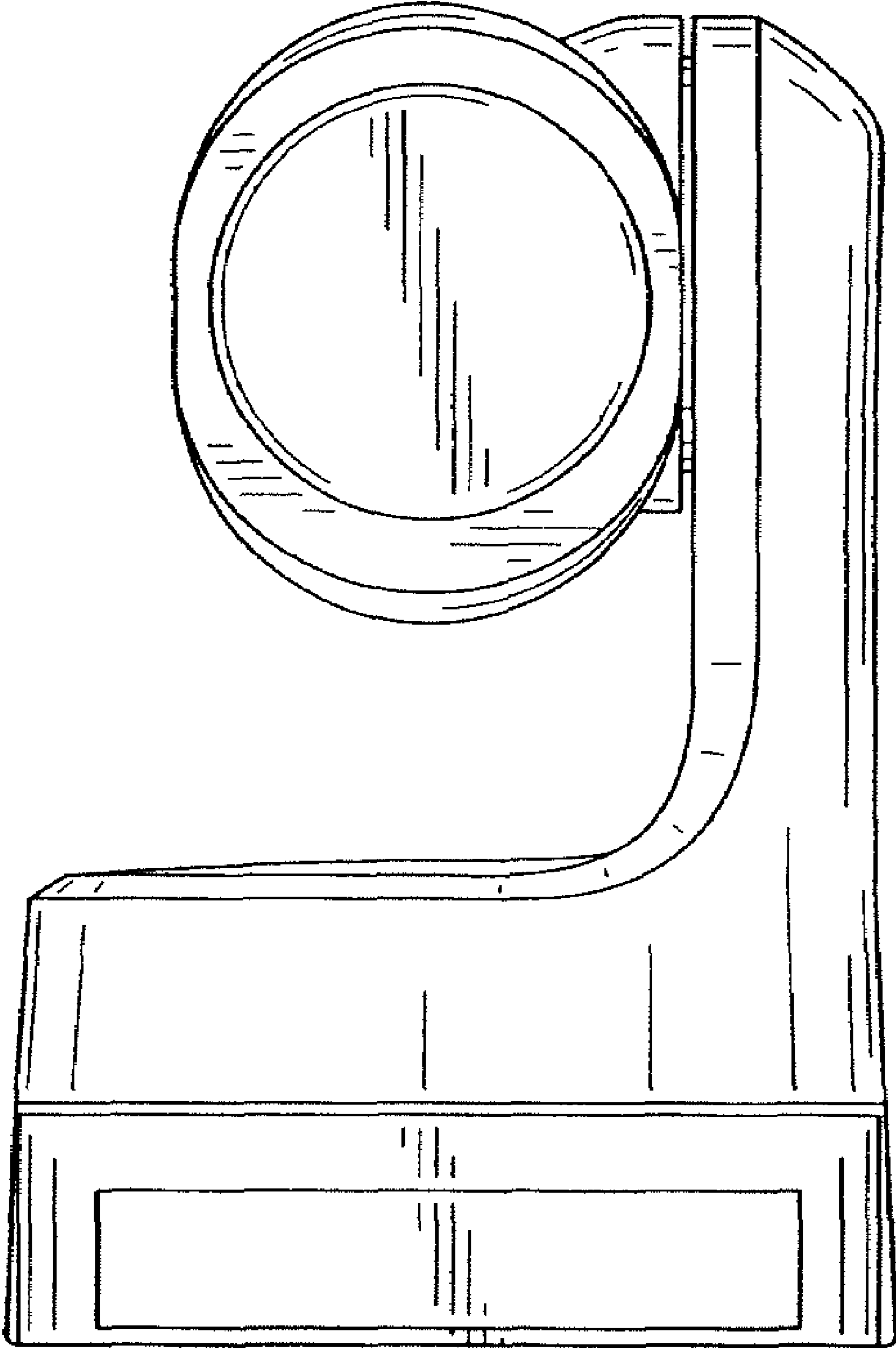
**FIG.1**



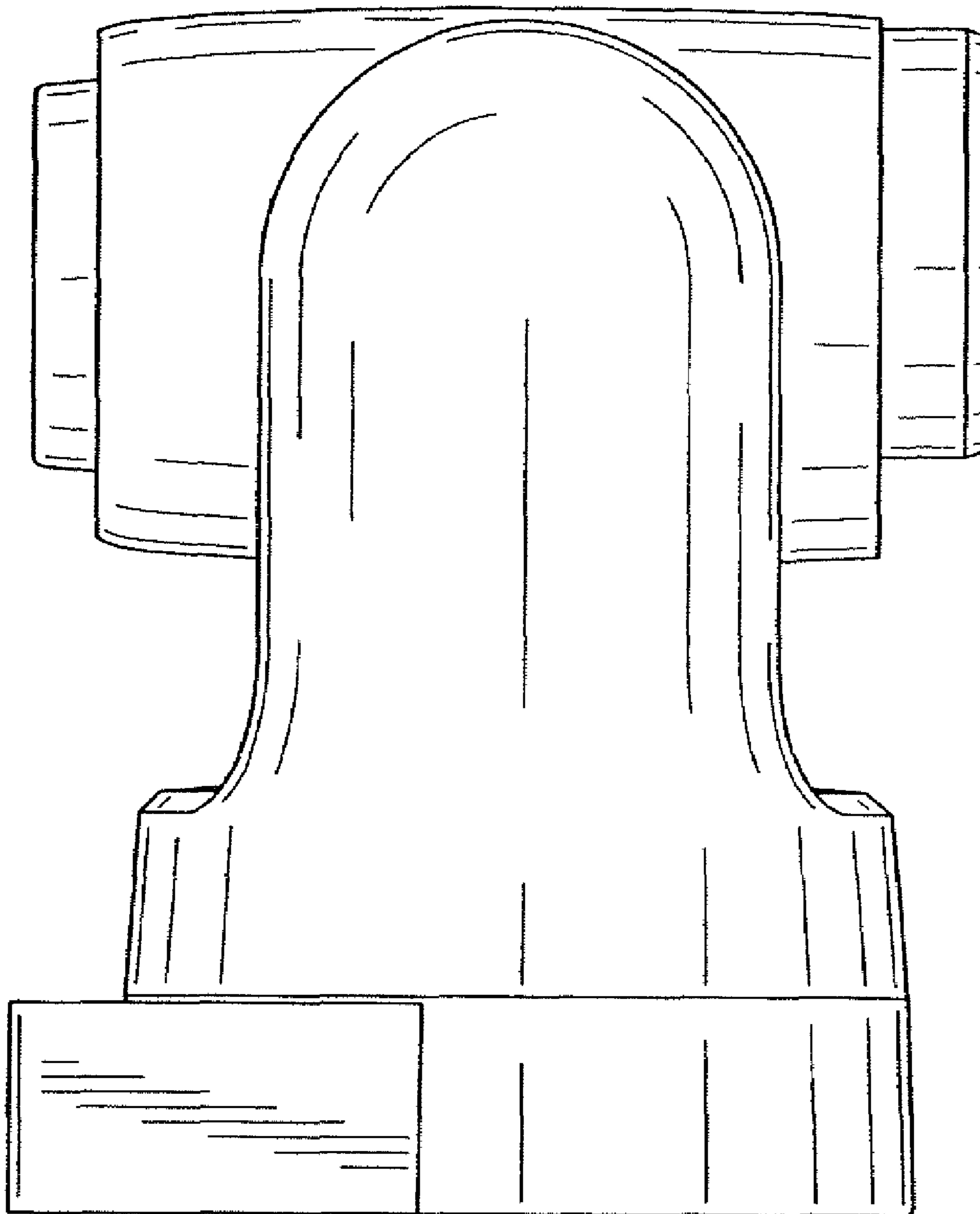
**FIG. 2**



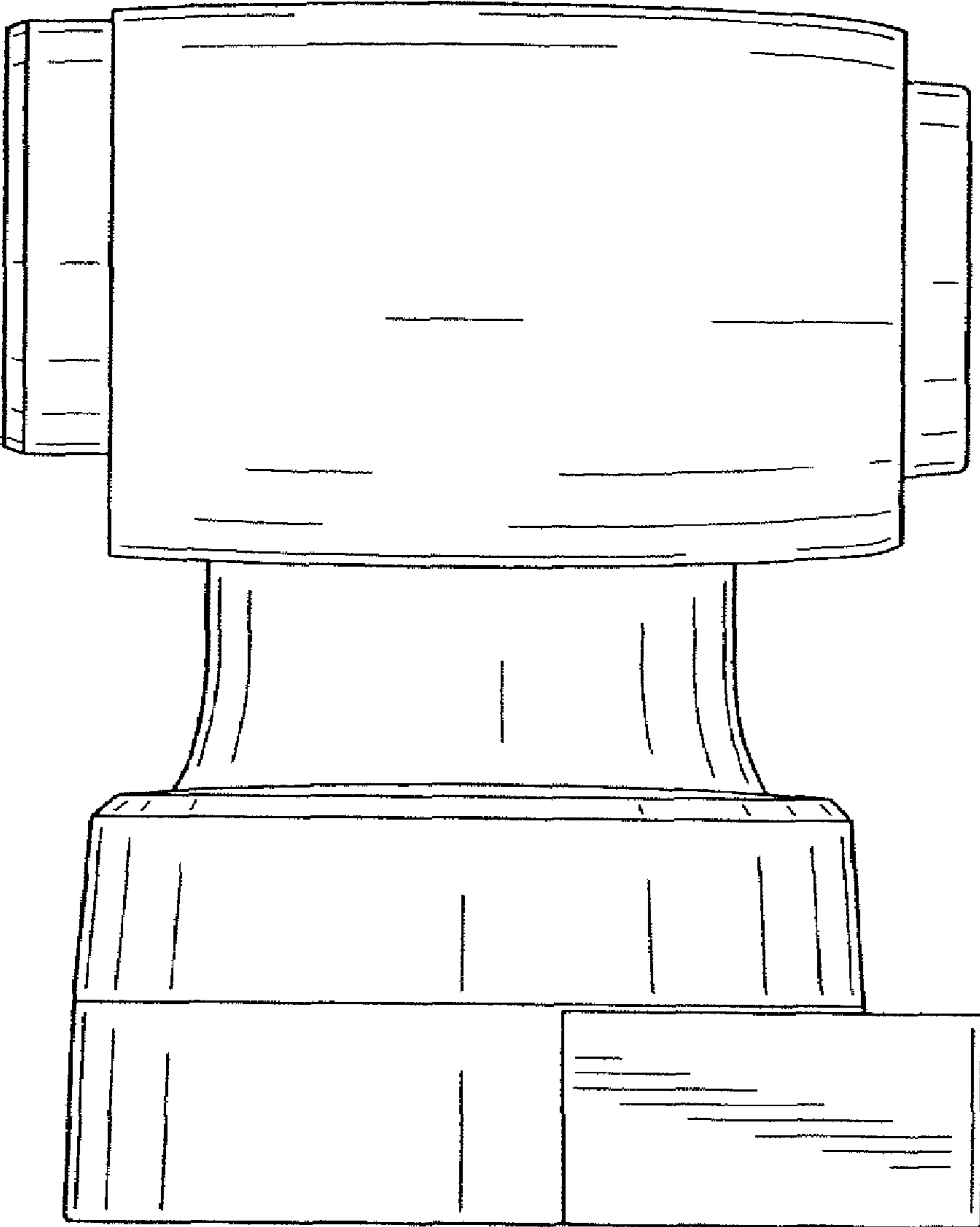
**FIG.3**



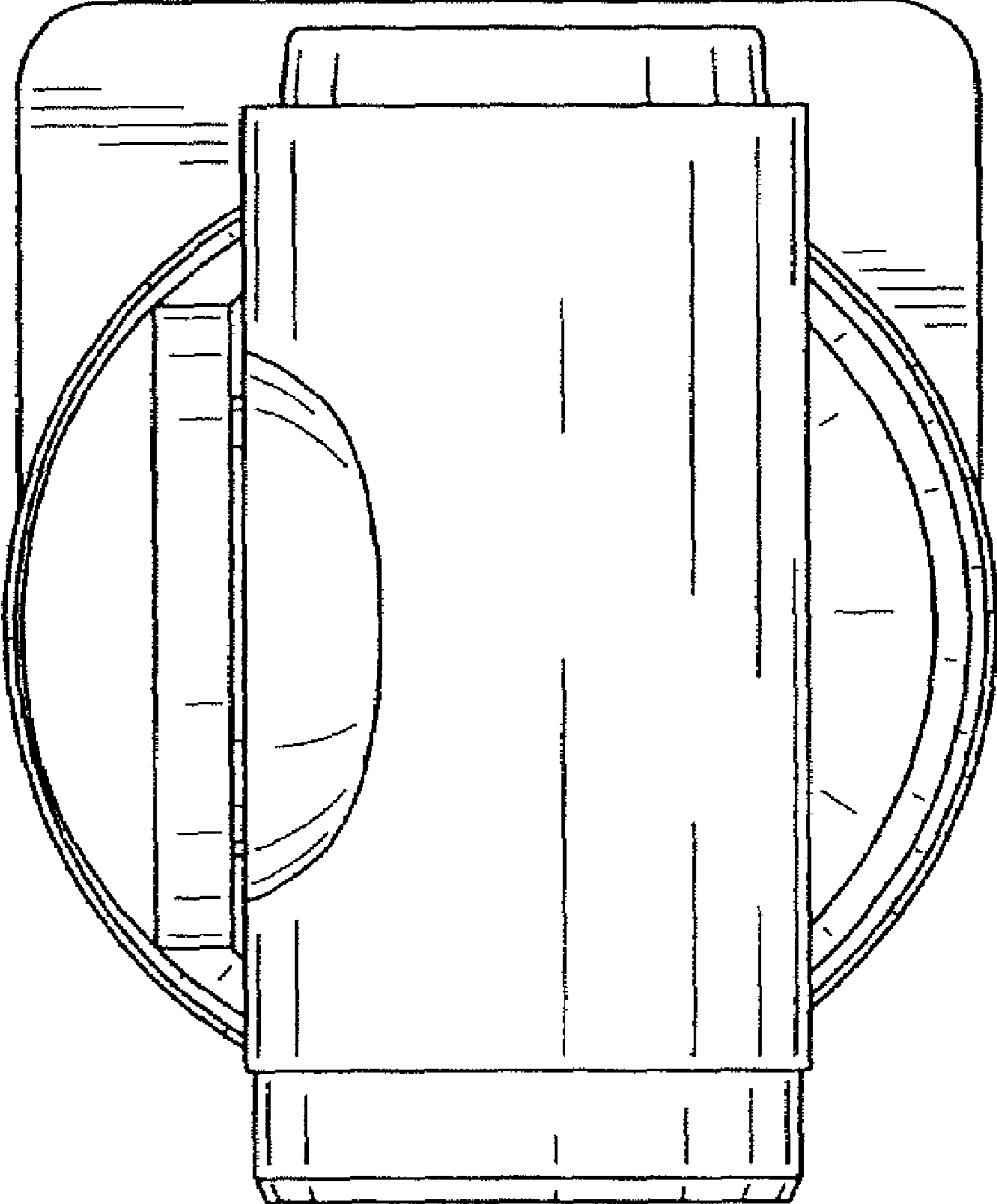
**FIG.4**



**FIG.5**



**FIG. 6**



**FIG.7**

