



US00D594495S

(12) **United States Design Patent**
York

(10) **Patent No.:** **US D594,495 S**
(45) **Date of Patent:** **** Jun. 16, 2009**

(54) **RIFLESCOPE**

D344,531 S 2/1994 Nemoto
D346,392 S 4/1994 Tomita

(75) Inventor: **Andrew W. York**, Portland, OR (US)

(73) Assignee: **Leupold & Stevens, Inc.**, Beaverton, OR (US)

(Continued)

(**) Term: **14 Years**

OTHER PUBLICATIONS

(21) Appl. No.: **29/326,852**

U.S. Appl. No. 11/060,444, filed Feb. 16, 2005.

(22) Filed: **Oct. 24, 2008**

(Continued)

Related U.S. Application Data

(60) Continuation of application No. 29/306,956, filed on Apr. 18, 2008, which is a division of application No. 29/223,707, filed on Feb. 16, 2005, now Pat. No. Des. 579,471, application No. 29/326,852, which is a division of application No. 29/223,707.

Primary Examiner—T. Chase Nelson
Assistant Examiner—David G Muller

(74) *Attorney, Agent, or Firm*—Stoel Rives LLP

(51) **LOC (9) Cl.** **16-06**

(52) **U.S. Cl.** **D16/132; D22/109**

(58) **Field of Classification Search** D22/108–110,
D22/199; D16/132, 130, 133, 330, 134;
359/399, 823, 744, 351; 42/111, 133, 119,
42/122, 125

See application file for complete search history.

(57) **CLAIM**

I claim the ornamental design for a riflescope, as shown and described.

(56) **References Cited**

U.S. PATENT DOCUMENTS

- 2,517,274 A 8/1950 Baker et al.
- 3,516,736 A 6/1970 Weaver
- D232,661 S 9/1974 Thompson et al.
- D233,169 S 10/1974 Thompson et al.
- D235,685 S 7/1975 Chesnut
- D235,800 S 7/1975 Van Exel
- D238,513 S 1/1976 Van Exel
- D240,333 S 6/1976 Chesnut
- D275,495 S * 9/1984 Tominaga D16/132
- 4,509,282 A 4/1985 McMillon
- 4,860,480 A 8/1989 Ruger
- 4,940,324 A 7/1990 Nichols
- 5,111,587 A 5/1992 Plank
- 5,180,875 A * 1/1993 Berry et al. 42/122

DESCRIPTION

FIG. 1 is an isometric view of a riflescope in accordance with an embodiment of the invention;

FIG. 2 is a left side elevation of the riflescope of FIG. 1, of which the right side elevation (not shown) is a mirror image;

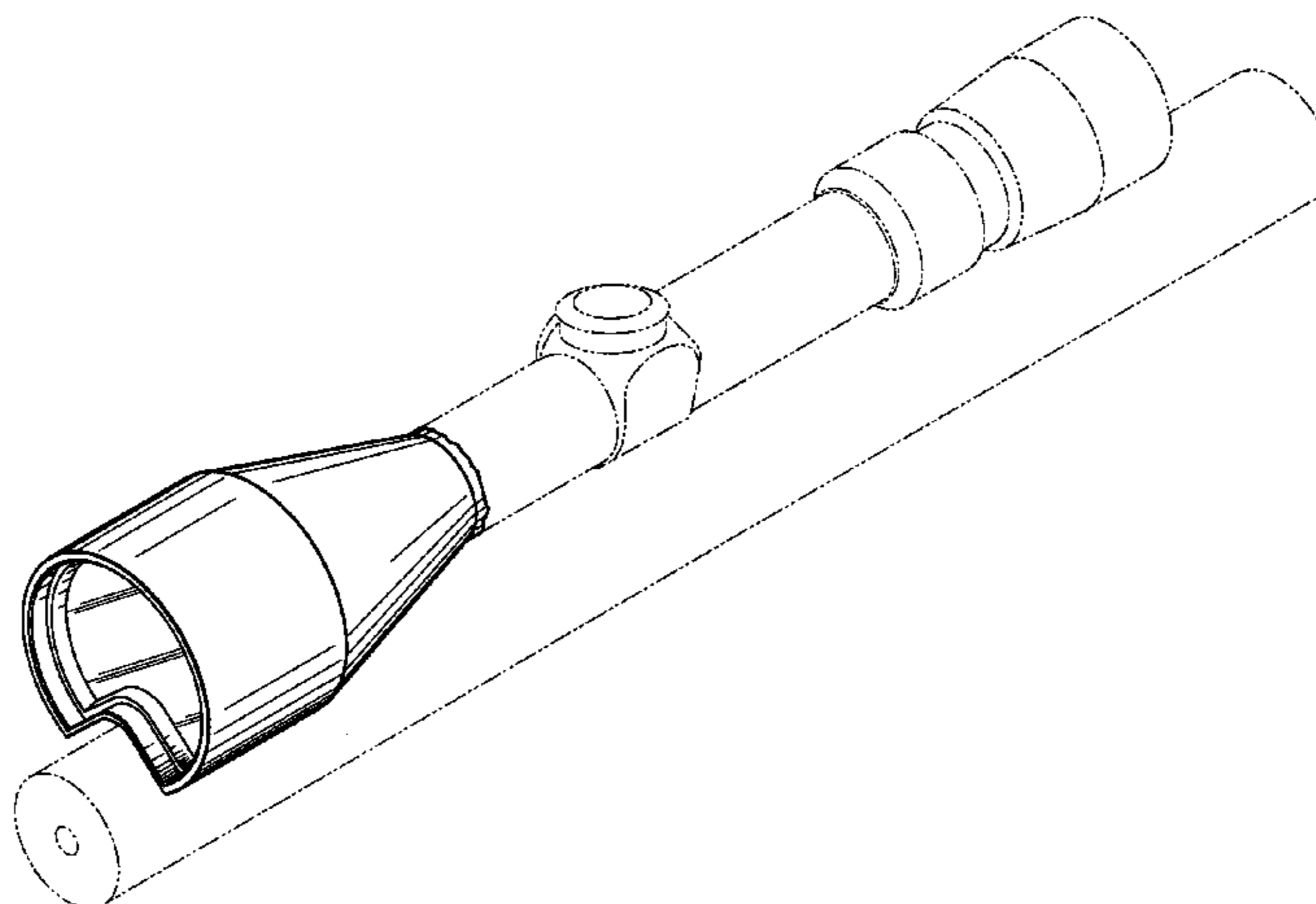
FIG. 3 is an objective end elevation of the riflescope of FIG. 1;

FIG. 4 is a top plan view of the riflescope of FIG. 1; and,

FIG. 5 is a bottom plan view of the riflescope of FIG. 1.

In FIGS. 1–25, the broken lines indicating environmental features of a main tube, adjustment knob turret, and eyepiece module of the riflescope form no part of the claimed design. In FIGS. 1–3, 6–8, 11–13, 16–18, and 21–23, additional broken lines indicate environmental features of a rifle barrel, scope mounting base, and mounting rings, which form no part of the claimed design.

1 Claim, 2 Drawing Sheets



US D594,495 S

Page 2

U.S. PATENT DOCUMENTS

D349,510 S * 8/1994 Tomita D16/132
D381,387 S 7/1997 Canaday et al.
D385,899 S 11/1997 Murphy et al.
5,787,630 A * 8/1998 Martel 42/125
5,946,132 A * 8/1999 Phillips 359/351
D417,679 S 12/1999 Cross et al.
D421,286 S 2/2000 Tucker
D427,275 S 6/2000 Gilmore
D443,628 S 6/2001 Koshibe et al.
6,269,581 B1 * 8/2001 Groh 42/122
6,279,259 B1 8/2001 Otteman
6,327,806 B1 12/2001 Paige
D454,144 S * 3/2002 Ogasawara et al. D16/132
D476,714 S * 7/2003 Meinzer D22/109
6,691,447 B1 2/2004 Otteman
6,811,268 B2 11/2004 Watson
D510,945 S 10/2005 Do
D515,118 S * 2/2006 Larsson et al. D16/132
D516,156 S 2/2006 Crandall
D522,084 S * 5/2006 Primeau, IV D22/109
7,051,469 B1 5/2006 Pochapsky
7,072,124 B2 7/2006 Wilt et al.
D534,193 S 12/2006 Ono
D550,263 S * 9/2007 Zhou D16/132
7,275,343 B2 10/2007 York

D572,740 S * 7/2008 Kitera D16/132
D579,960 S * 11/2008 Kung D16/132
2002/0039242 A1 4/2002 Sasaki et al.
2006/0179702 A1 8/2006 York
2007/0062091 A1 3/2007 Thomas et al.

OTHER PUBLICATIONS

USPTO, Office Action dated Feb. 27, 2007, U.S. Appl. No. 11/060,444.
Omnitech Partners, Inc., Universal Night Sight Family—UNS-XR®, <http://www.omnitechpartners.com/osti/products/uns-xr.htm>, visited Mar. 7, 2007 (publication date unknown), 1 page.
Redfield, Low Profile Widefield, 1986, 1 page.
Redfield, Low Profile Widefield, 1997, 1 page.
Tasco, EXP Extreme Performance Riflescopes, 2001, 2 pages.
Omnitech Partners, Inc., OSTI Optical Systems Technology Star*Tron Night Vision Products—MUNS Magnum Universal Night Sight, product brochure, copyright 2006 (month unknown), 2 pages.
U.S. Government Accountability Office, Decision: Matter of Optical Systems Technology, Inc., file Nos. B-296516.2; B-296516.3, Mar. 17, 2006, 11 pages.
U.S. Appl. No. 11/809,199, filed May 30, 2007.
U.S. Appl. No. 29/306,956, filed Apr. 18, 2008.
U.S. Appl. No. 29/223,707, filed Feb. 16, 2005.

* cited by examiner

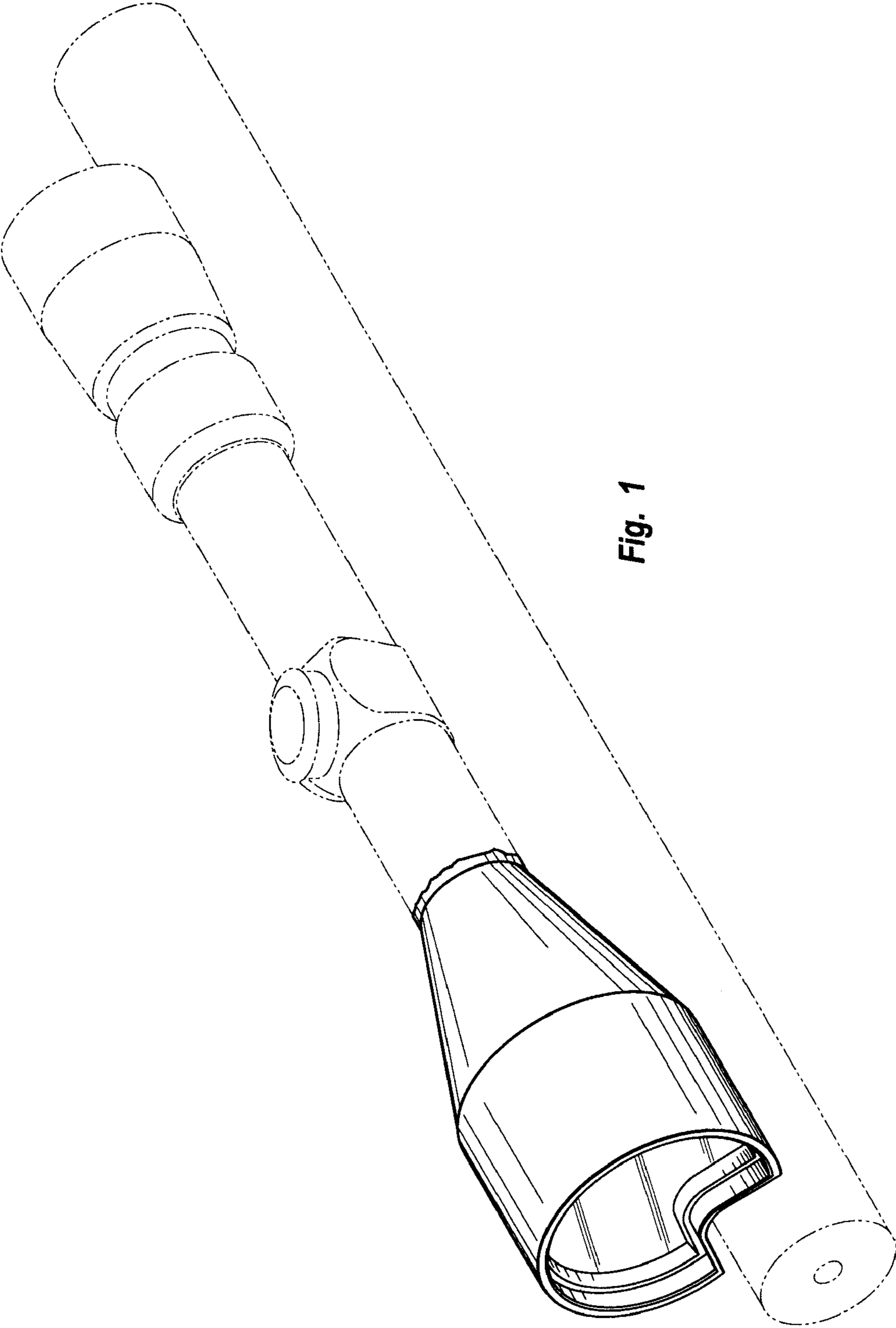


Fig. 1

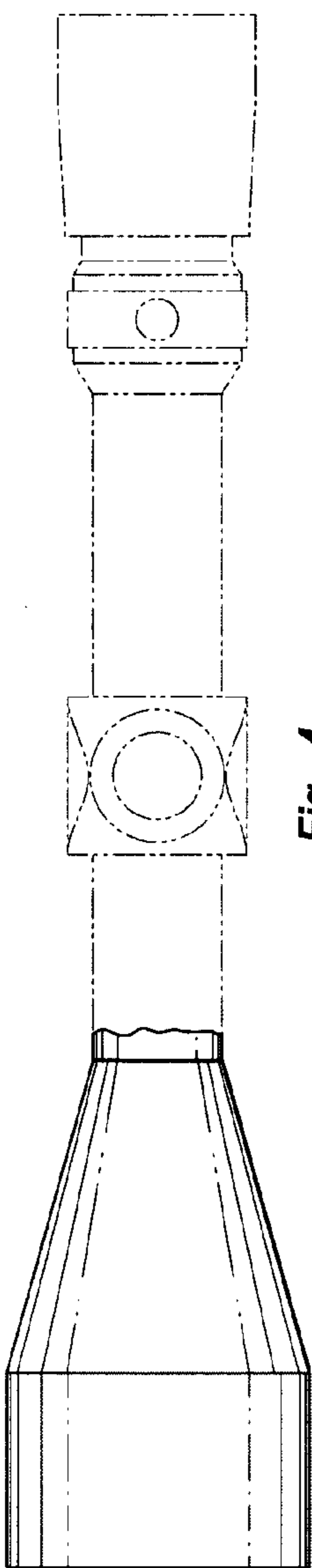


Fig. 4

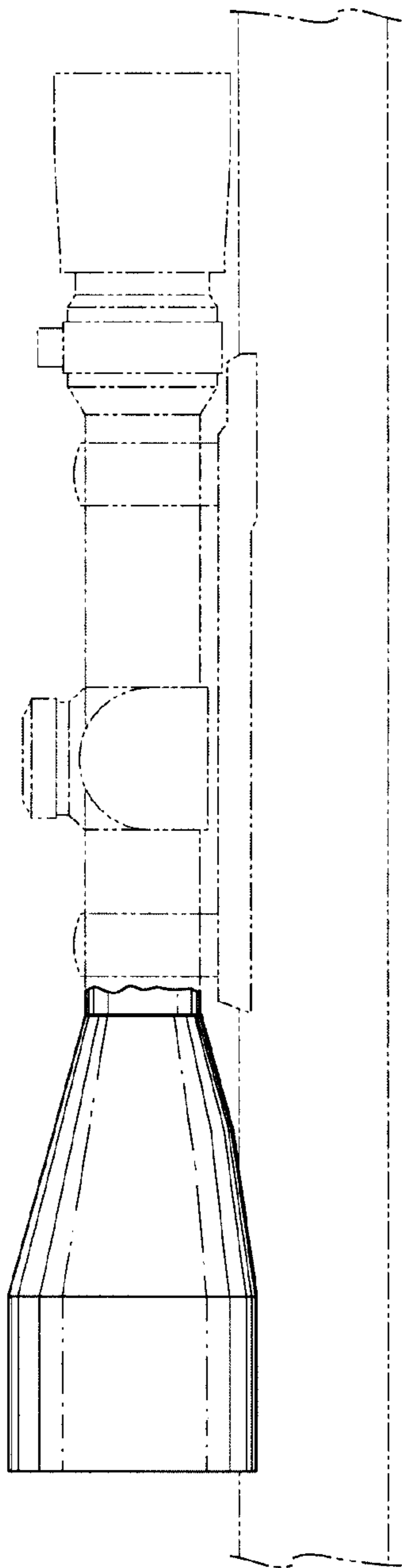


Fig. 2

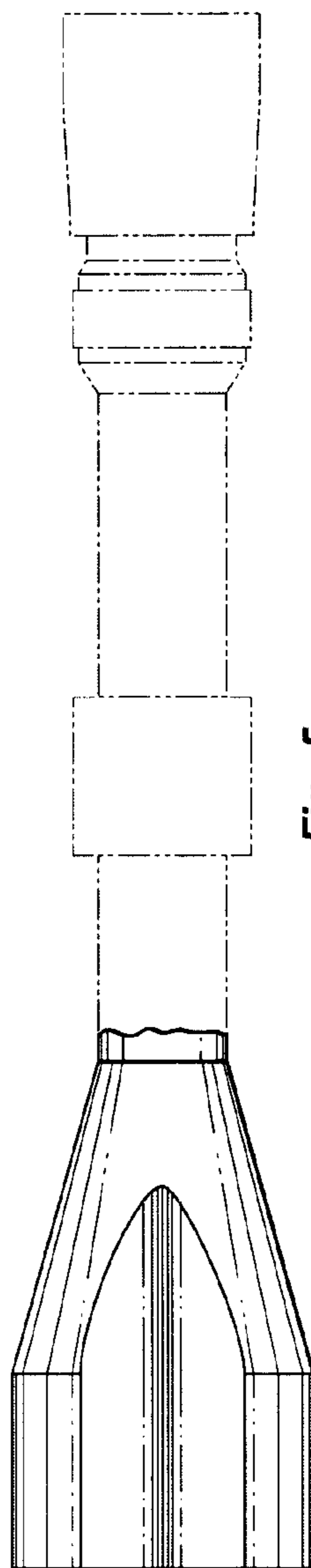


Fig. 5

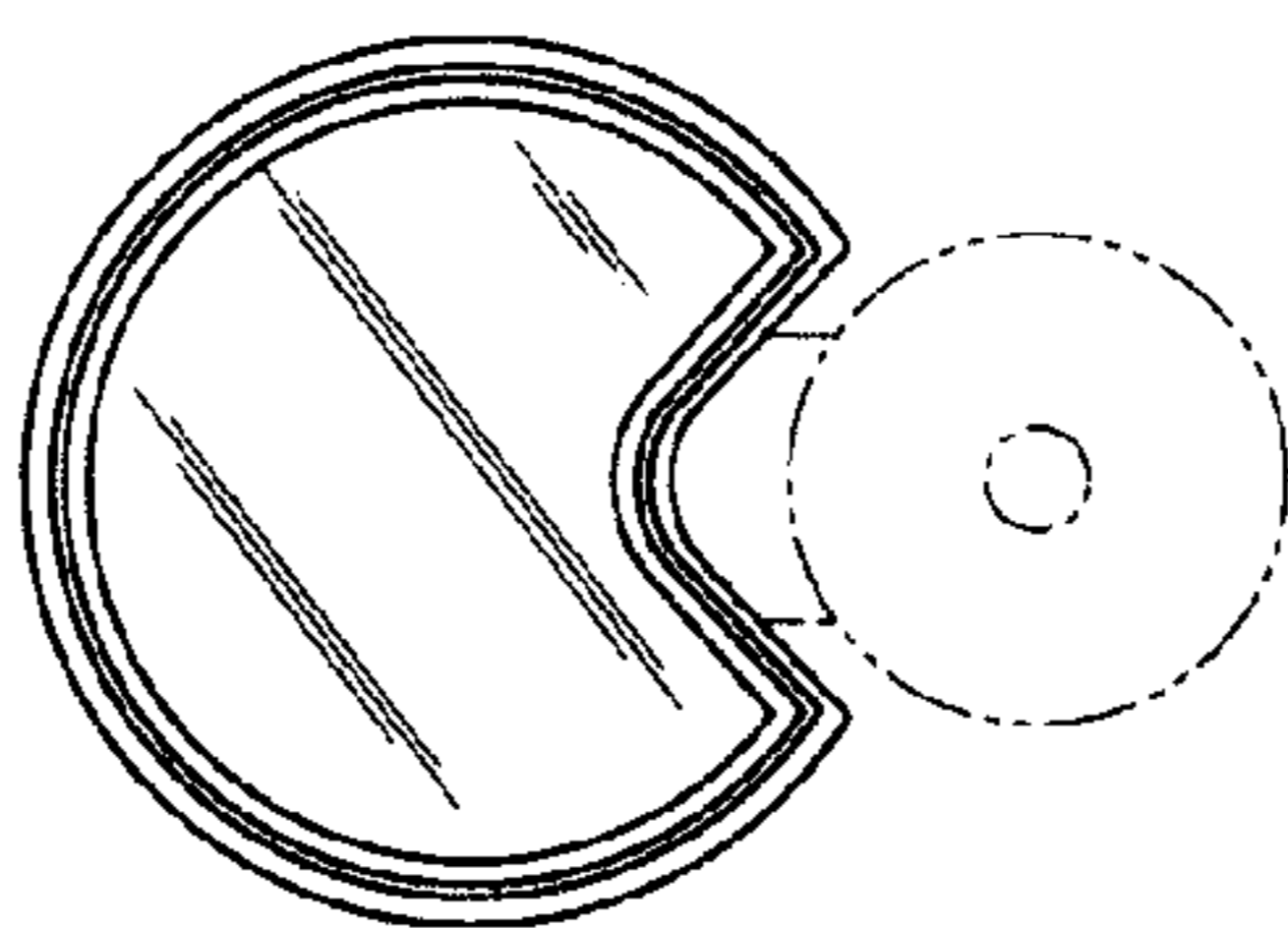


Fig. 3