

US00D594494S

(12) **United States Design Patent**
Chujo et al.

(10) **Patent No.:** **US D594,494 S**
(45) **Date of Patent:** **** Jun. 16, 2009**

(54) **TELESCOPE**

(75) Inventors: **Kennosuke Chujo**, Tokyo (JP);
Ryouichi Sasaoka, Tokyo (JP)

(73) Assignee: **Kowa Company, Ltd**, Nagoya (JP)

(**) Term: **14 Years**

(21) Appl. No.: **29/287,439**

(22) Filed: **Aug. 8, 2007**

(51) **LOC (9) Cl.** **16-06**

(52) **U.S. Cl.** **D16/132**

(58) **Field of Classification Search** D16/130,
D16/131, 132, 133, 134; D22/108, 109,
D22/110; 359/399, 400, 404, 407, 419, 420,
359/422, 350, 351, 353, 354

See application file for complete search history.

(56) **References Cited**

U.S. PATENT DOCUMENTS

D215,355 S *	9/1969	Weatherby	D16/132
D219,623 S *	12/1970	Bushnell	D16/132
D272,916 S *	3/1984	Tomatsuri et al.	D16/132
D285,802 S *	9/1986	Ogasawara	D16/132
4,669,833 A *	6/1987	Mise	359/420
D390,580 S *	2/1998	Ogasawara et al.	D16/132
D394,664 S *	5/1998	Konno	D16/132
D395,440 S *	6/1998	Ogasawara et al.	D16/132
5,946,132 A *	8/1999	Phillips	359/351

D439,259 S *	3/2001	Yamaguchi	D16/132
D454,144 S *	3/2002	Ogasawara et al.	D16/132
D534,193 S *	12/2006	Ono	D16/132
D550,263 S *	9/2007	Zhou	D16/132

OTHER PUBLICATIONS

Press Release Nov. 1, 2006 of Kowa Optimed, Inc., "Kowa Ascends to the Top With New Large Objective Lens Spotting Scopes", http://www.kowa-usa.com/frontend/news_detail.asp?id=439566158.

* cited by examiner

Primary Examiner—Paula Greene

(74) *Attorney, Agent, or Firm*—Bacon & Thomas, PLLC

(57) **CLAIM**

The ornamental design for a telescope, as shown and described.

DESCRIPTION

FIG. 1 is an upper left perspective view of a telescope showing our new design and the shading indicates color contrast;

FIG. 2 is a left side view thereof;

FIG. 3 is a right side view thereof;

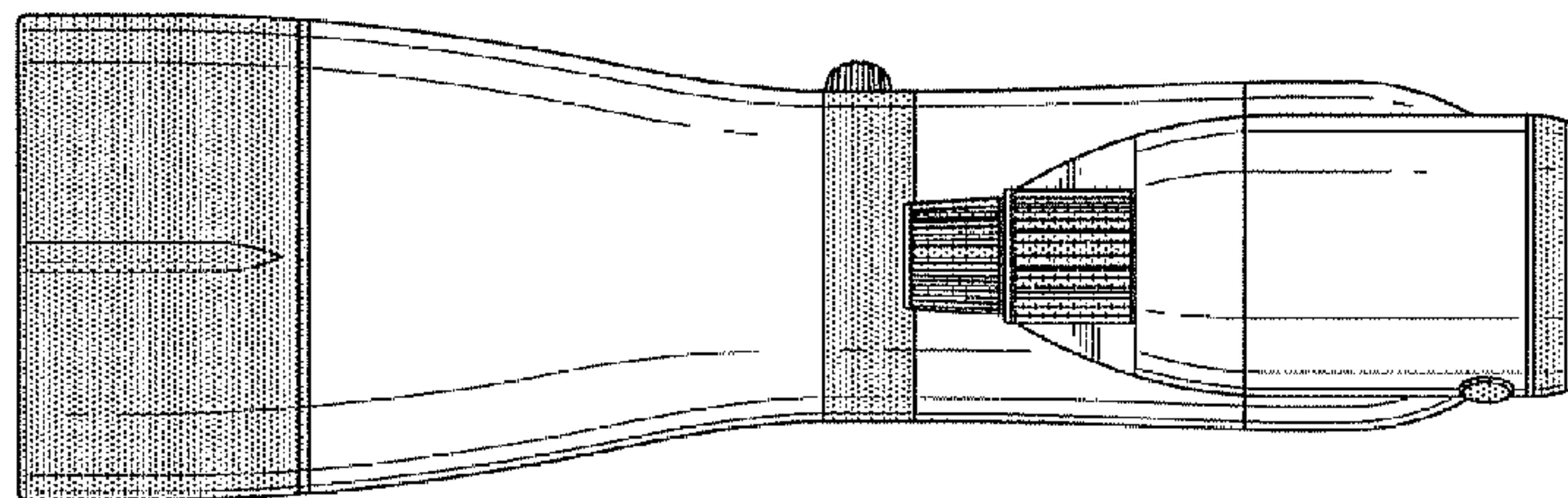
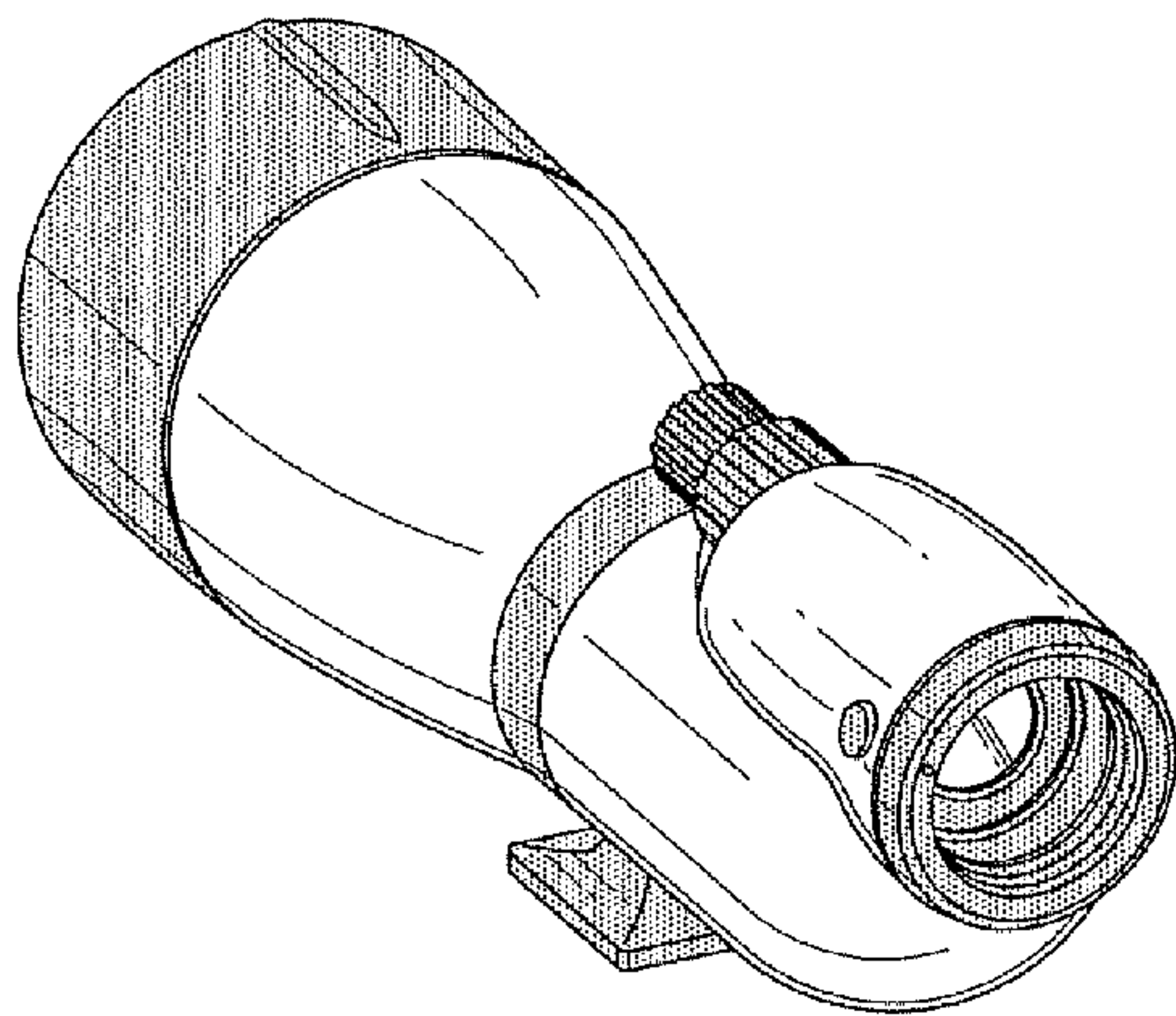
FIG. 4 is a top plan view thereof;

FIG. 5 is a bottom view thereof;

FIG. 6 is a rear view thereof; and,

FIG. 7 is a front elevation view of FIG. 1.

1 Claim, 4 Drawing Sheets



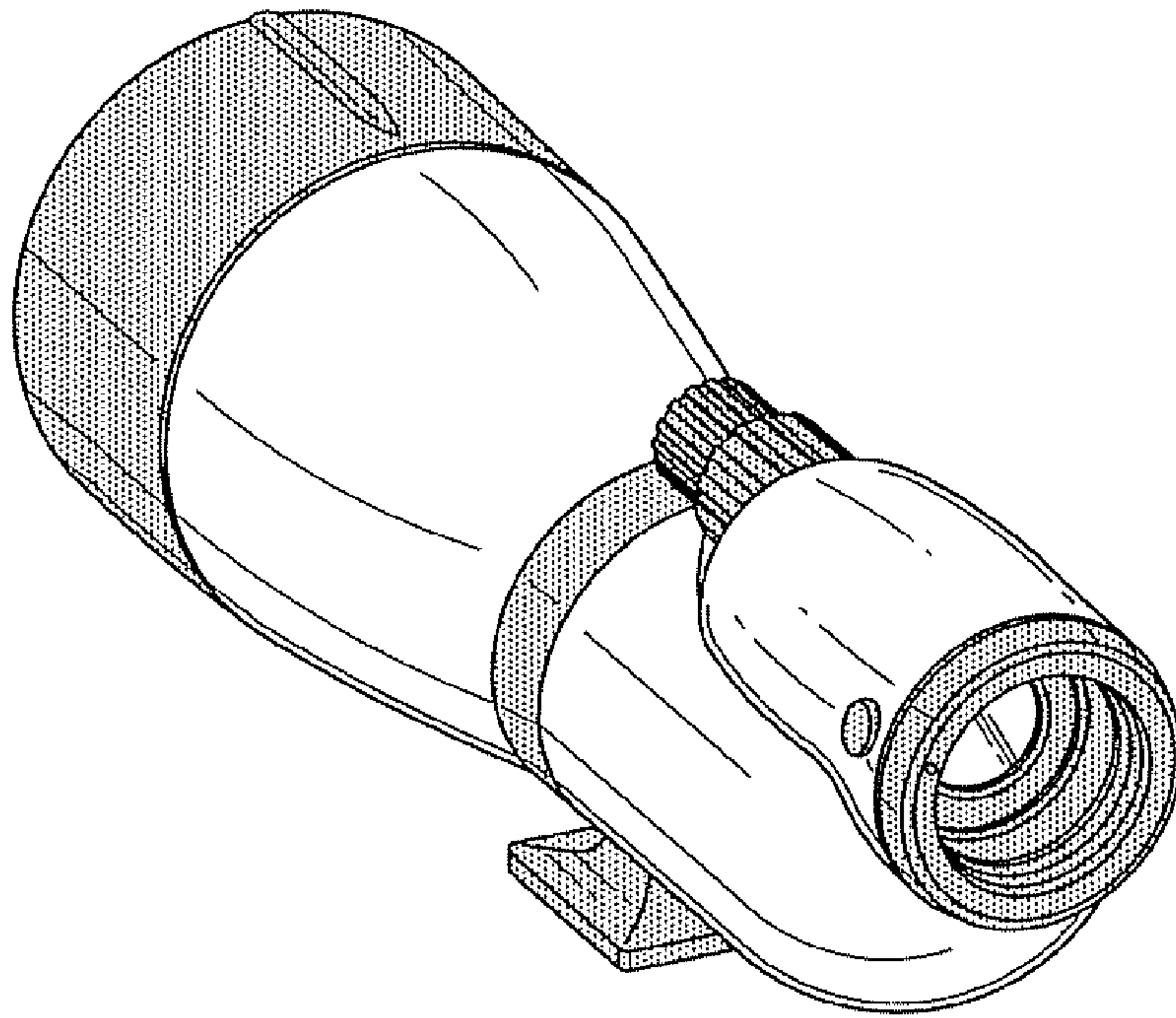


FIG. 1

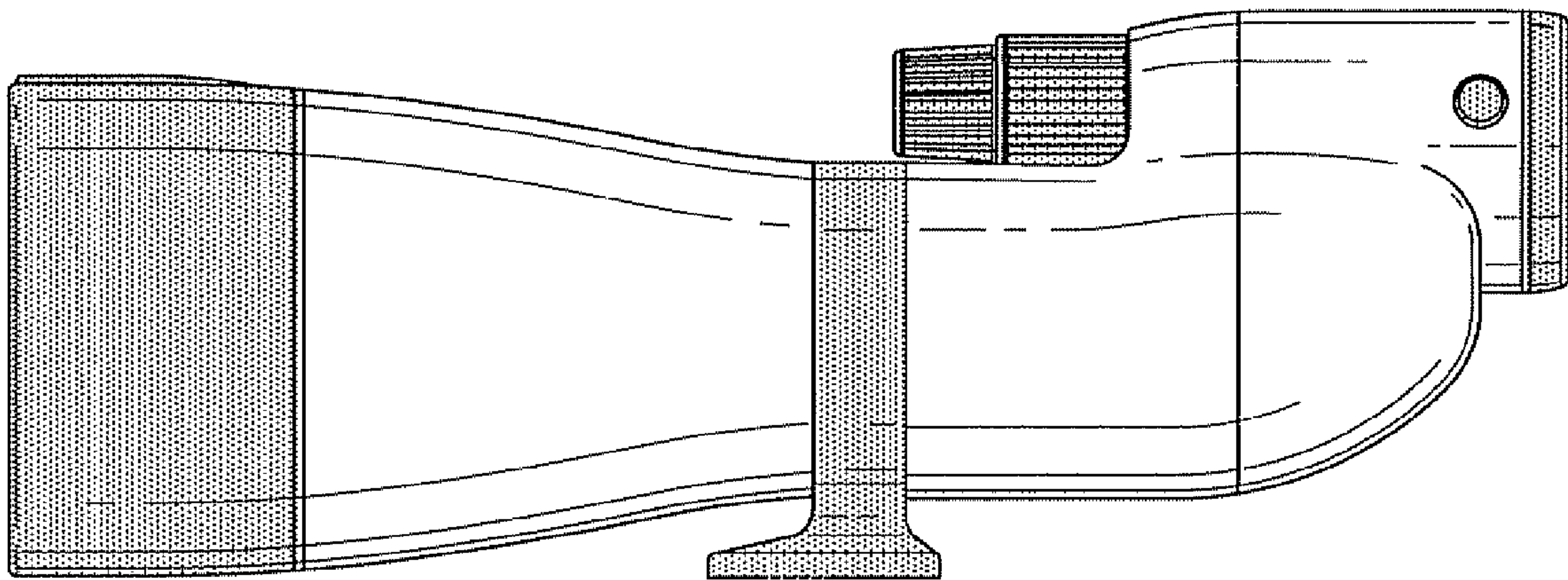


FIG. 2

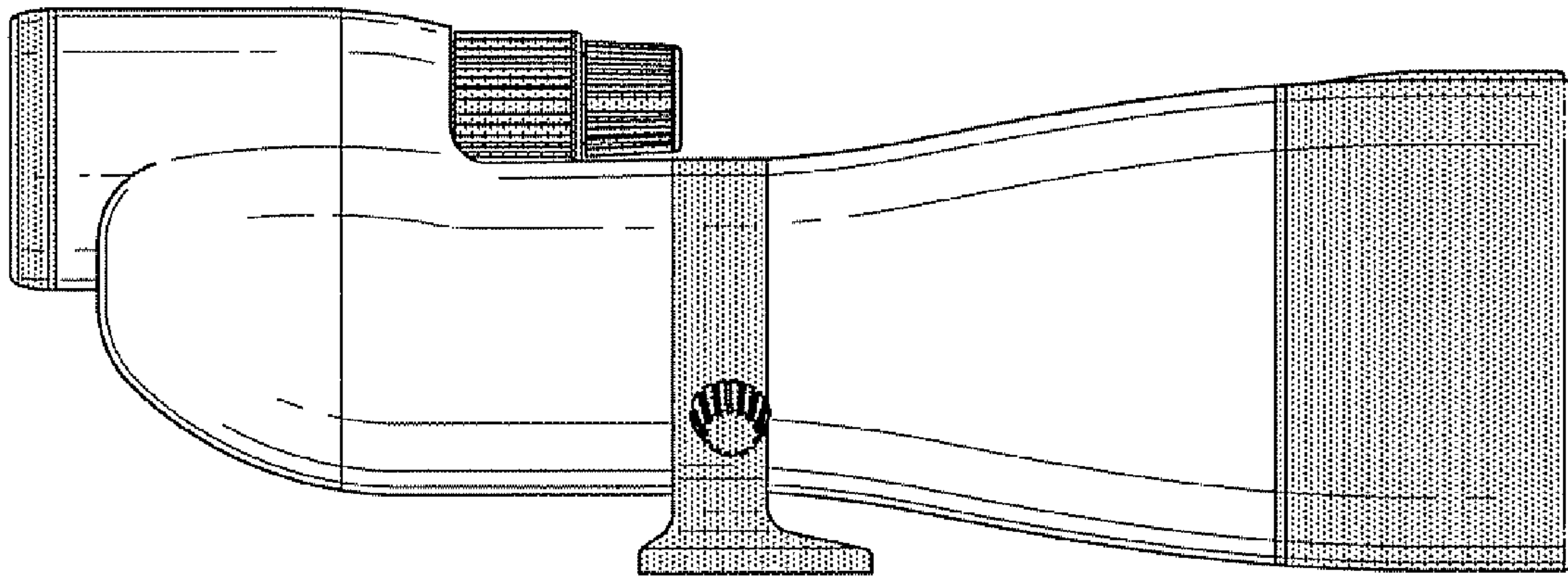


FIG. 3

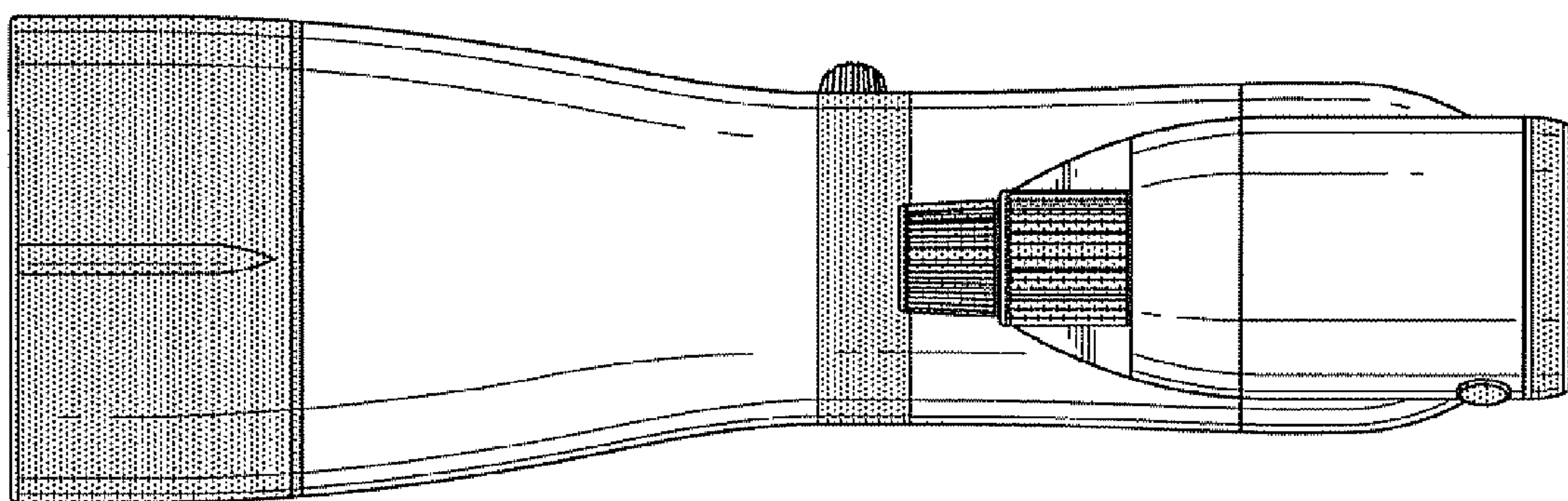


FIG. 4

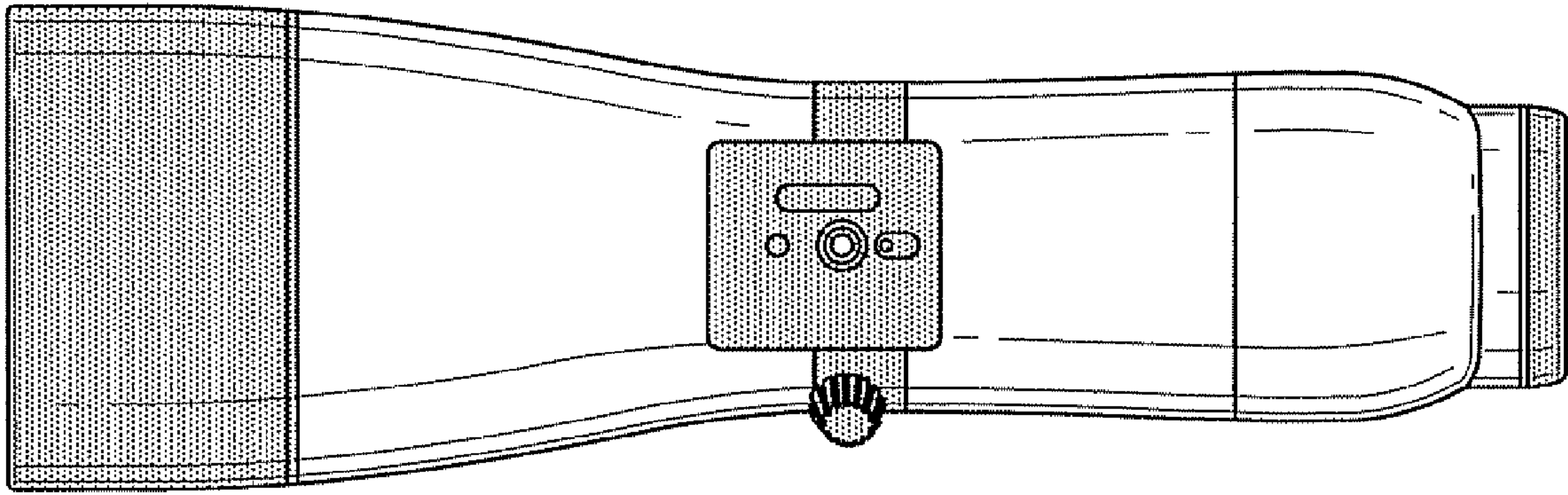


FIG. 5

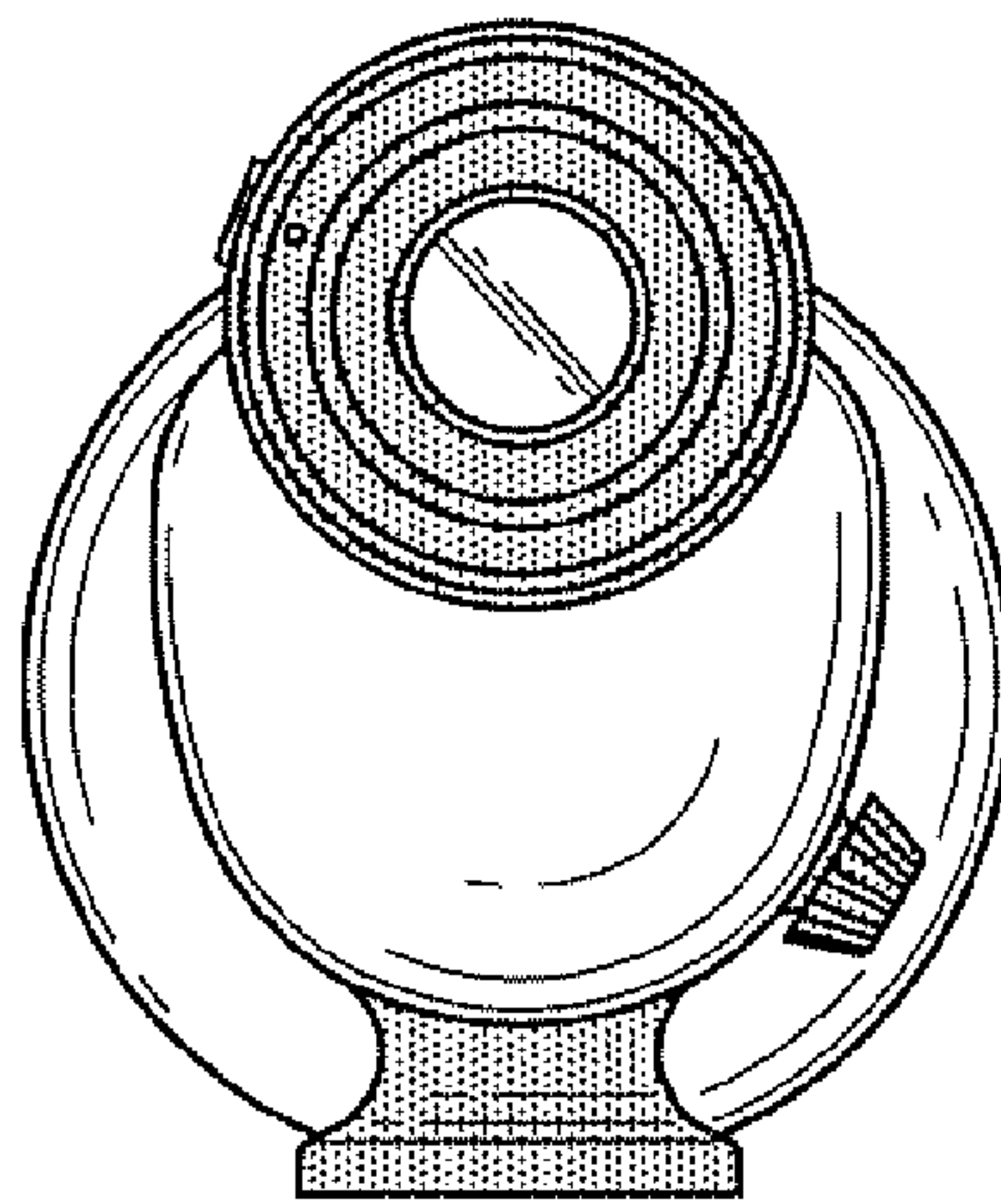


FIG. 6

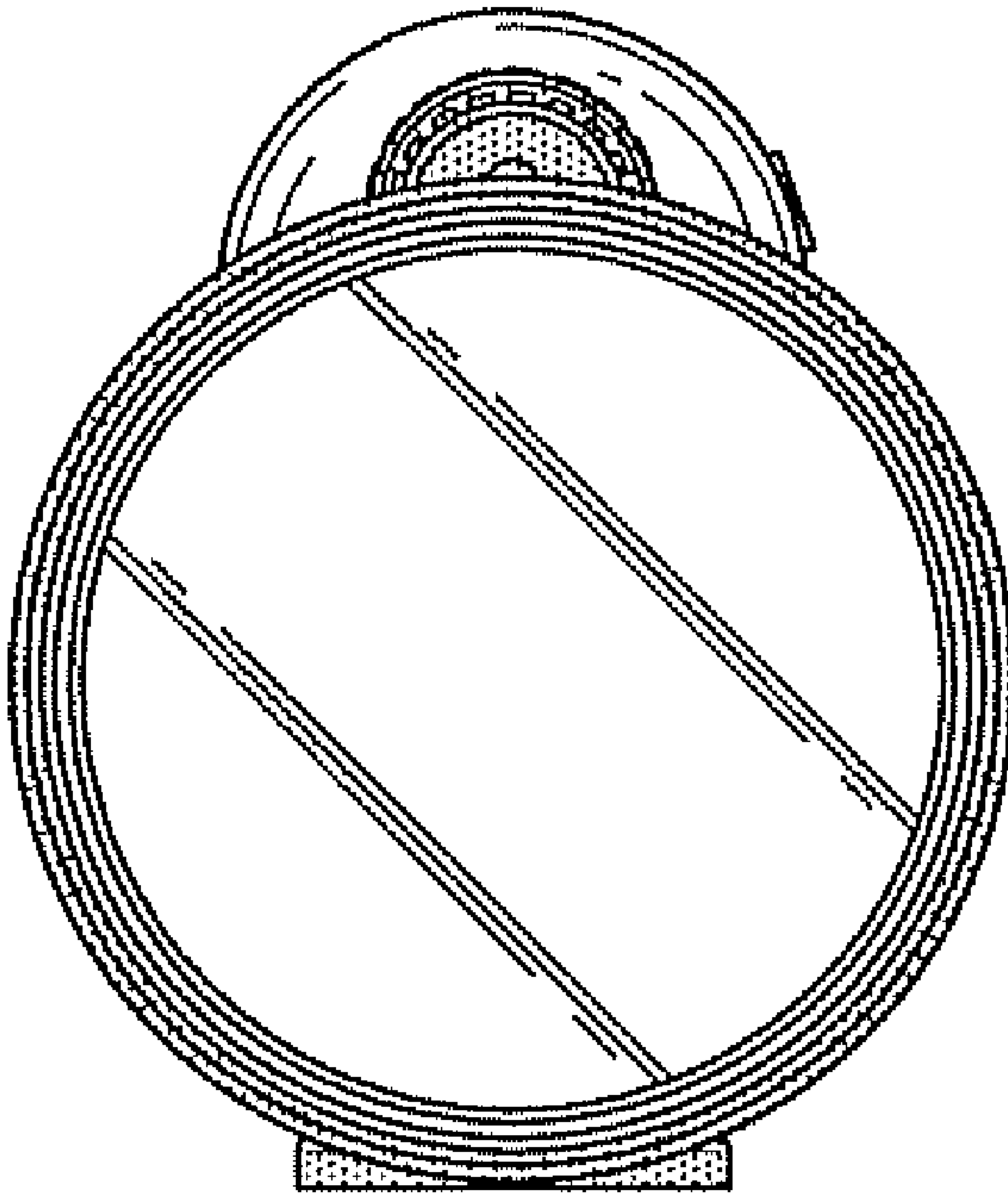


FIG. 7