



US00D594493S

(12) **United States Design Patent**  
**Chujo et al.**

(10) **Patent No.:** **US D594,493 S**  
(45) **Date of Patent:** **\*\* Jun. 16, 2009**

(54) **TELESCOPE**

D534,193 S \* 12/2006 Ono ..... D16/132  
D550,263 S \* 9/2007 Zhou ..... D16/132

(75) Inventors: **Kenosuke Chujo**, Tokyo (JP);  
**Ryouichi Sasaoka**, Tokyo (JP)

(73) Assignee: **Kowa Company, Ltd**, Nagoya (JP)

(\*\*) Term: **14 Years**

(21) Appl. No.: **29/287,438**

(22) Filed: **Aug. 8, 2007**

(51) **LOC (9) Cl.** ..... **16-06**

(52) **U.S. Cl.** ..... **D16/132**

(58) **Field of Classification Search** ..... D16/130,  
D16/131, 132, 133, 134; D22/108, 109,  
D22/110; 359/399, 400, 407, 419, 420, 422,  
359/350, 351, 353, 354

See application file for complete search history.

(56) **References Cited**

**U.S. PATENT DOCUMENTS**

D215,355 S *	9/1969	Weatherby	.....	D16/132
D219,623 S *	12/1970	Bushnell	.....	D16/132
D272,916 S *	3/1984	Tomatsuri et al.	.....	D16/132
D285,802 S *	9/1986	Ogasawara	.....	D16/132
4,669,833 A *	6/1987	Mise	.....	359/420
D390,580 S *	2/1998	Ogasawara et al.	.....	D16/132
D394,664 S *	5/1998	Konno	.....	D16/132
D395,440 S *	6/1998	Ogasawara et al.	.....	D16/132
5,946,132 A *	8/1999	Phillips	.....	359/351
D439,259 S *	3/2001	Yamaguchi	.....	D16/132
D454,144 S *	3/2002	Ogasawara et al.	.....	D16/132

**OTHER PUBLICATIONS**

Press Release Nov. 1, 2006 of Kowa Optimed, Inc., "Kowa Ascends to the Top With New Large Objective Lens Spotting Scopes", copy downloaded from web page visited Jun. 27, 2007 [http://www.kowa-usa.com/frontend/news\\_detail.asp?id=439566158](http://www.kowa-usa.com/frontend/news_detail.asp?id=439566158).

\* cited by examiner

*Primary Examiner*—Paula Greene

(74) *Attorney, Agent, or Firm*—Bacon & Thomas, PLLC.

(57) **CLAIM**

The ornamental design for a telescope, as shown and described.

**DESCRIPTION**

FIG. 1 is an upper left perspective view of a telescope showing our new design, the undisclosed portions are not part of the claimed design and the shading indicates color contrast;

FIG. 2 is a left side view thereof;

FIG. 3 is a right side view thereof;

FIG. 4 is a top plan view thereof;

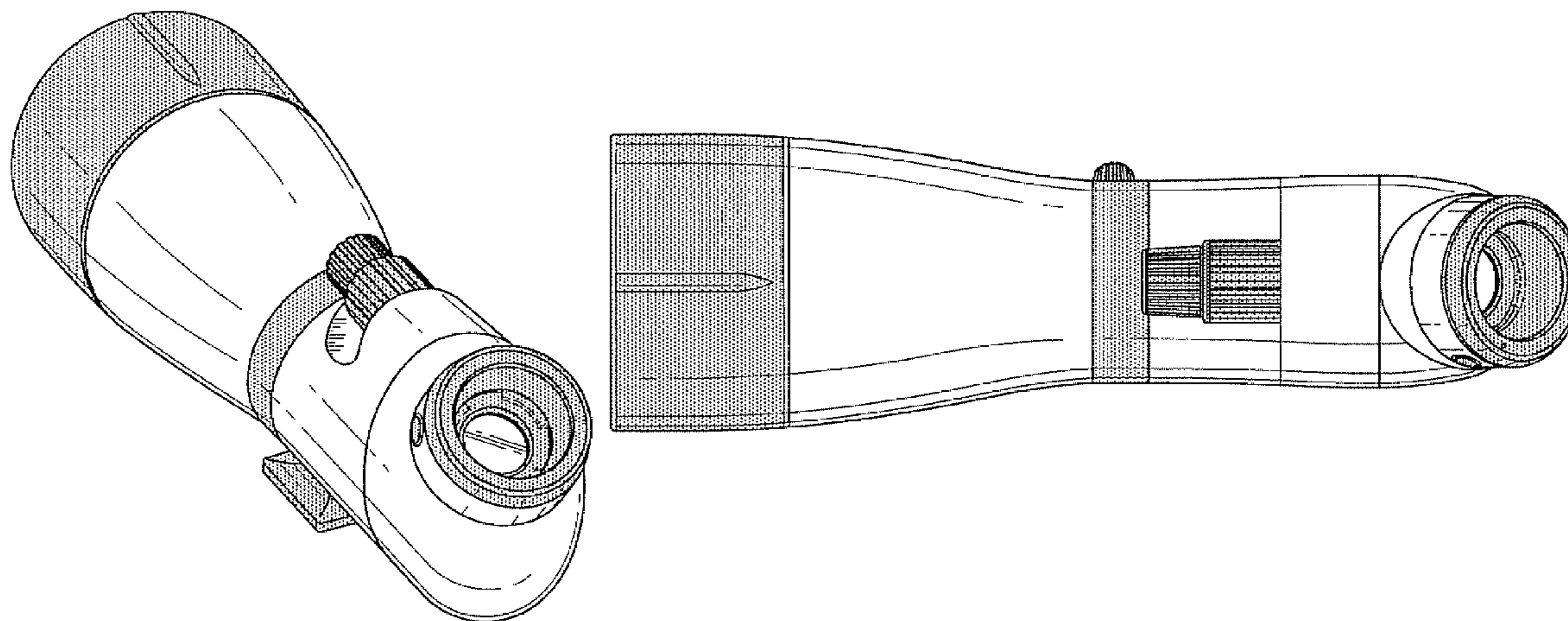
FIG. 5 is a bottom view thereof;

FIG. 6 is a rear view thereof; and,

FIG. 7 is a front elevation view of FIG. 1.

The broken lines in FIGS. 1, 4, and 6 form no part of the claimed design.

**1 Claim, 4 Drawing Sheets**



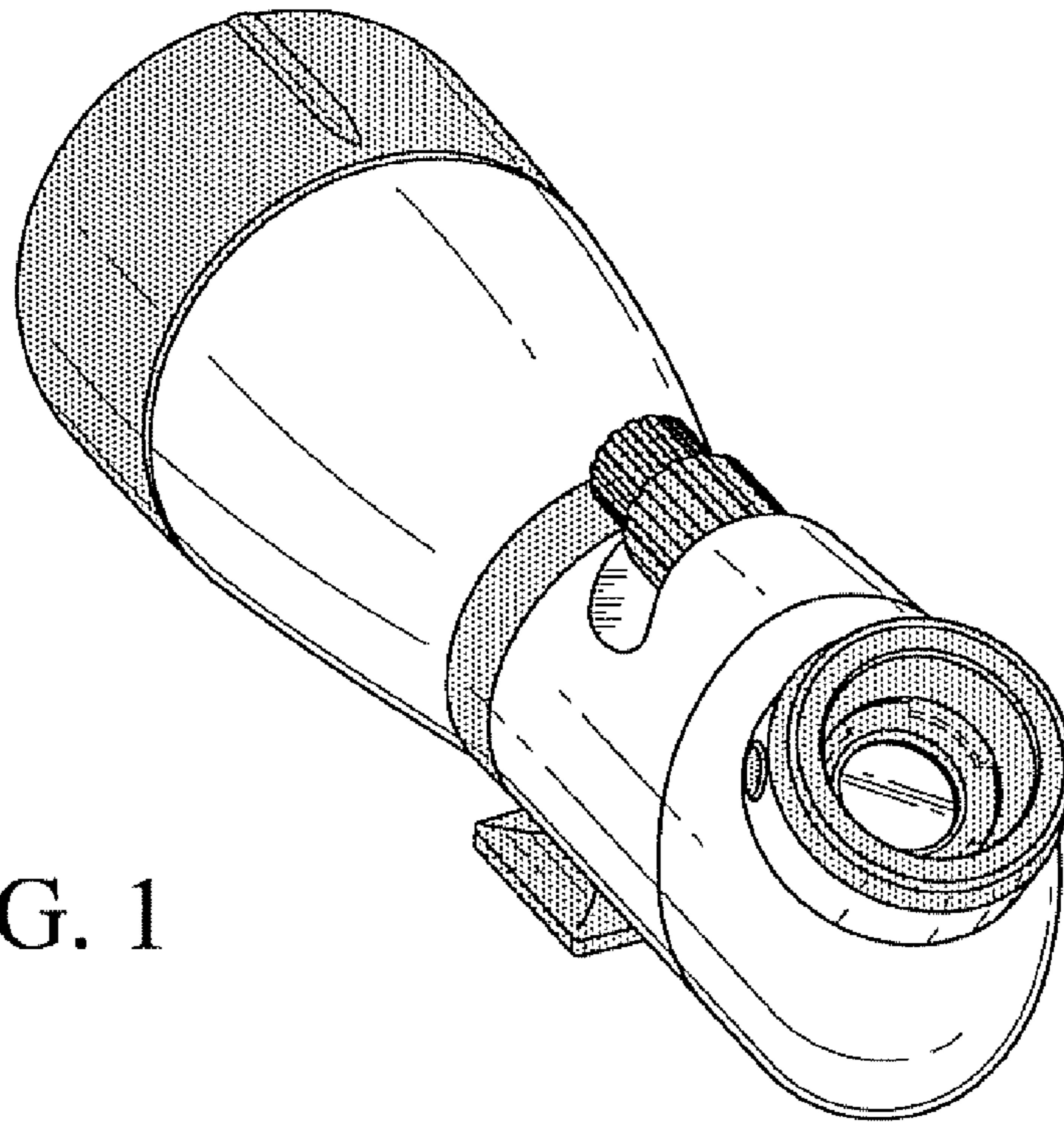


FIG. 1

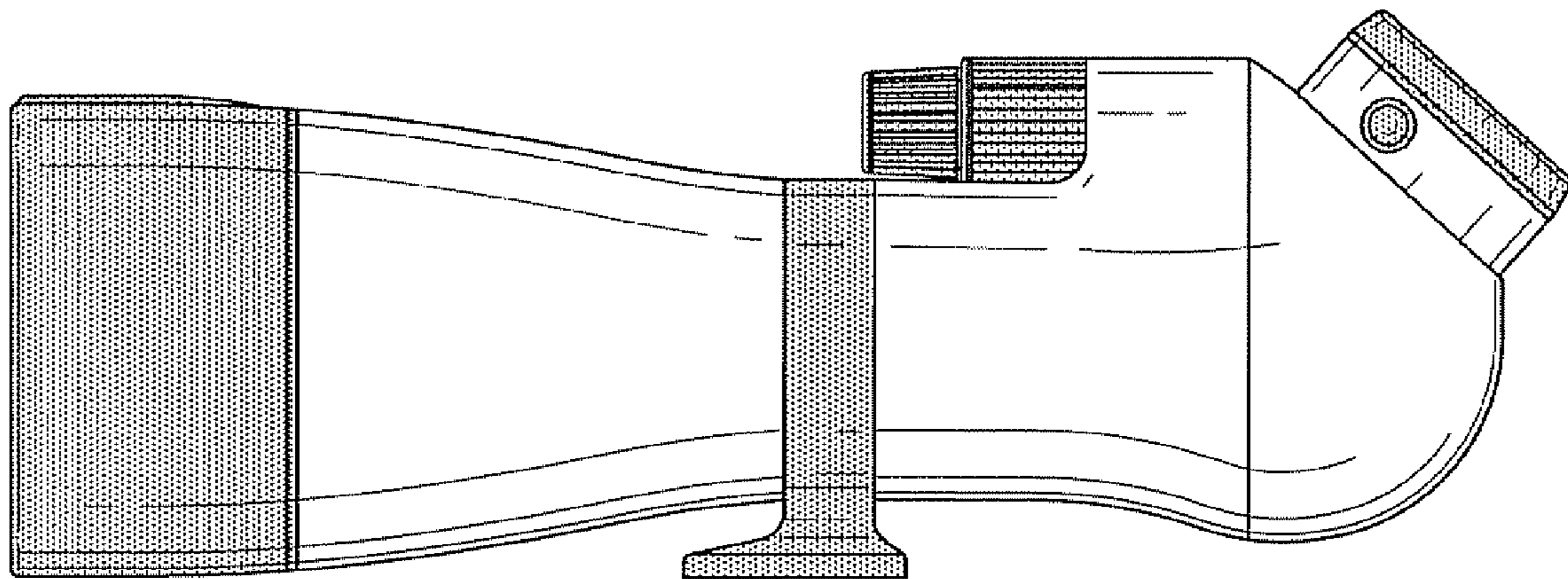


FIG. 2



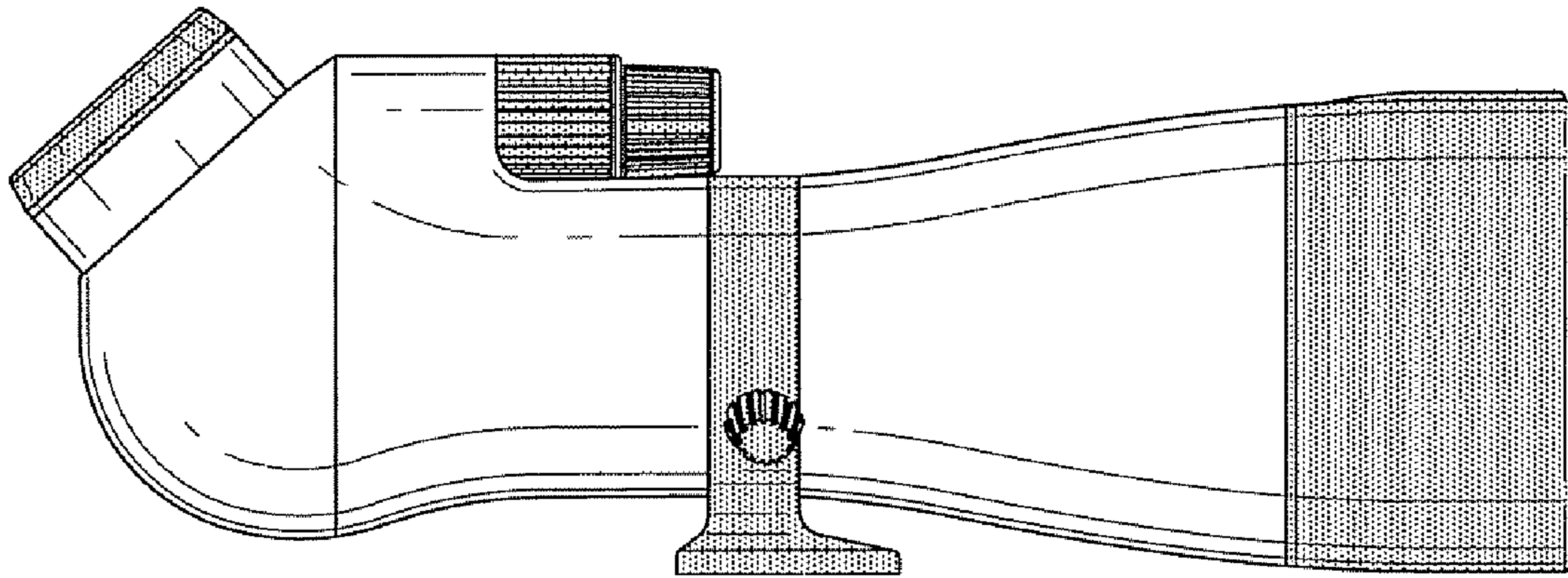


FIG. 3

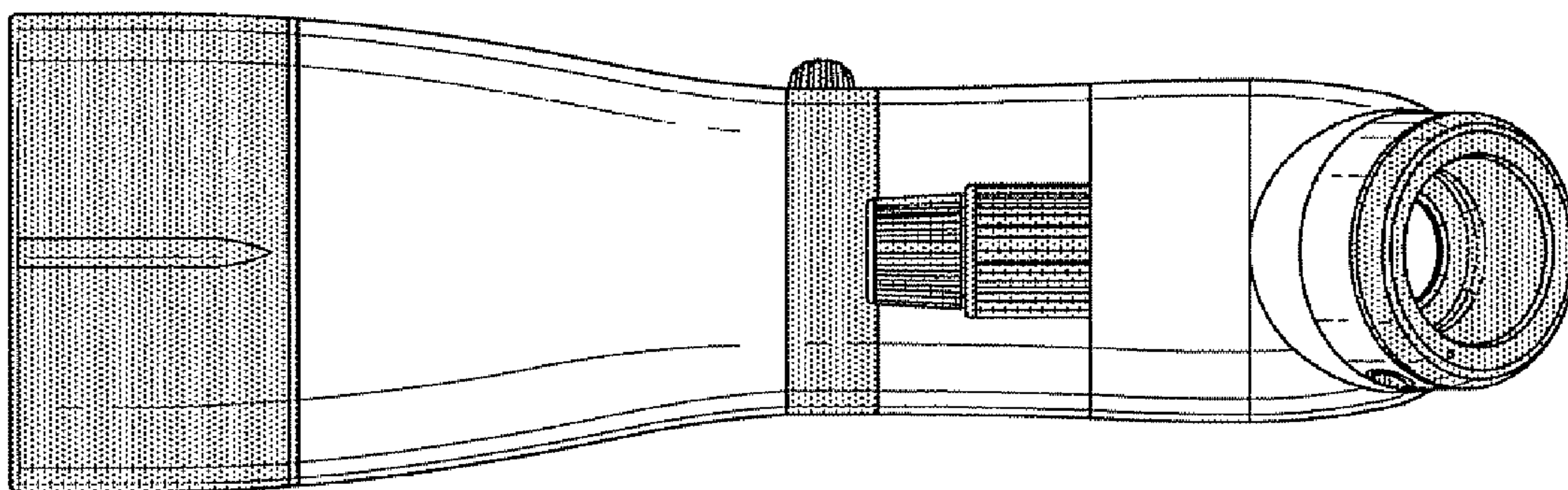


FIG. 4

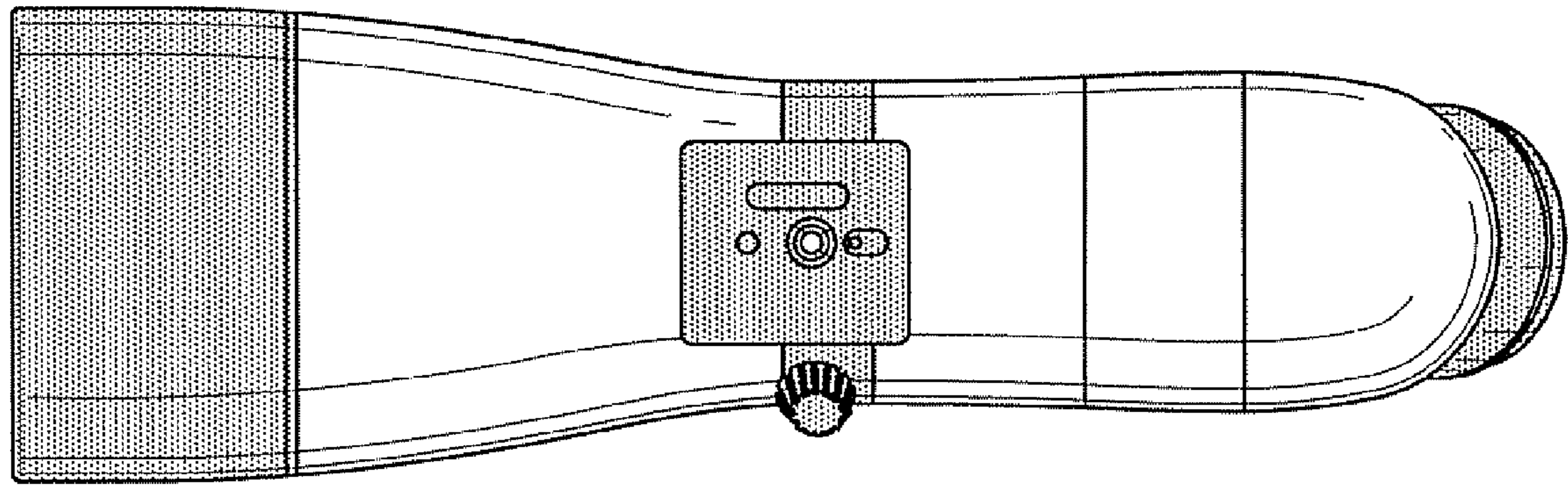


FIG. 5

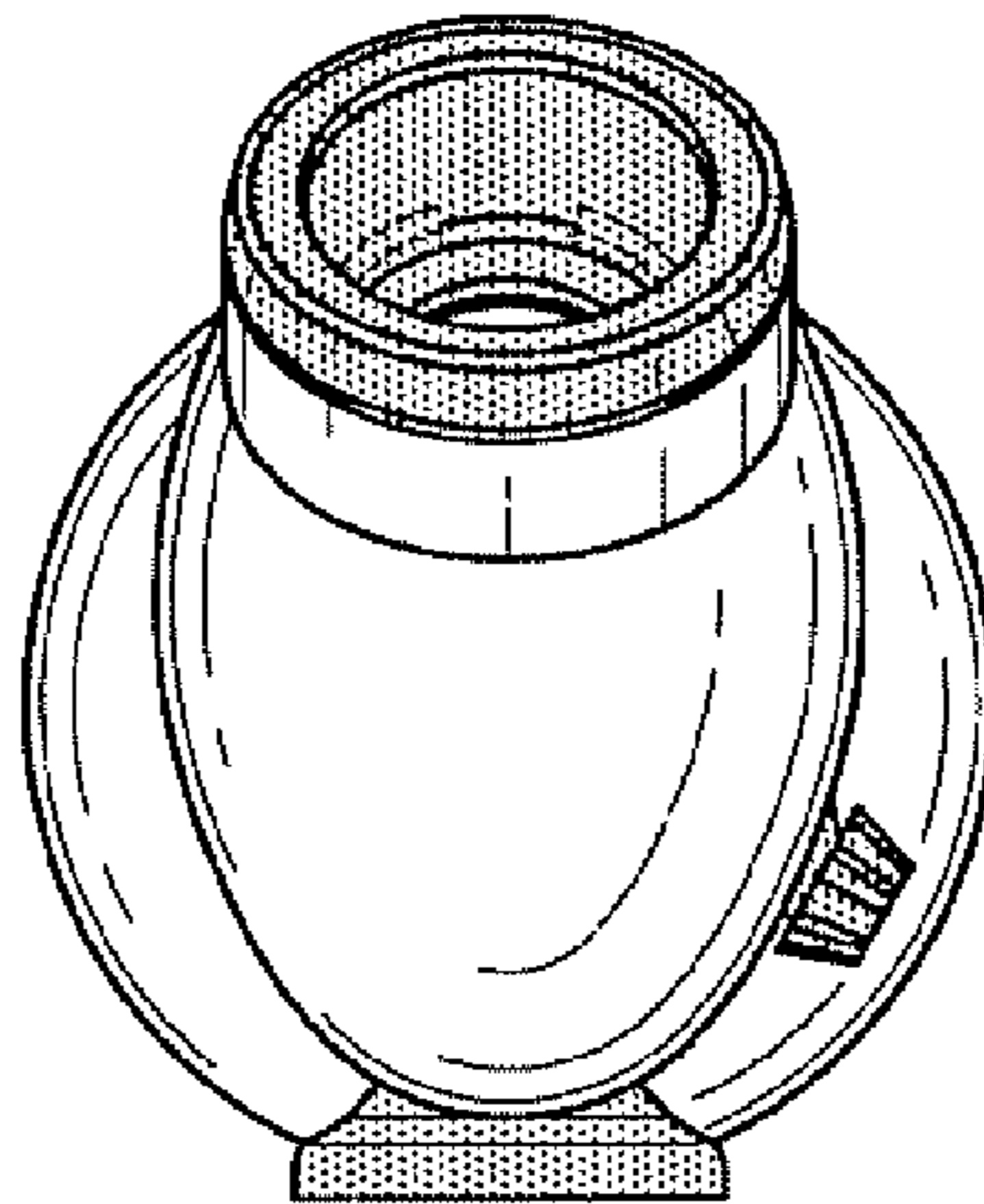


FIG. 6

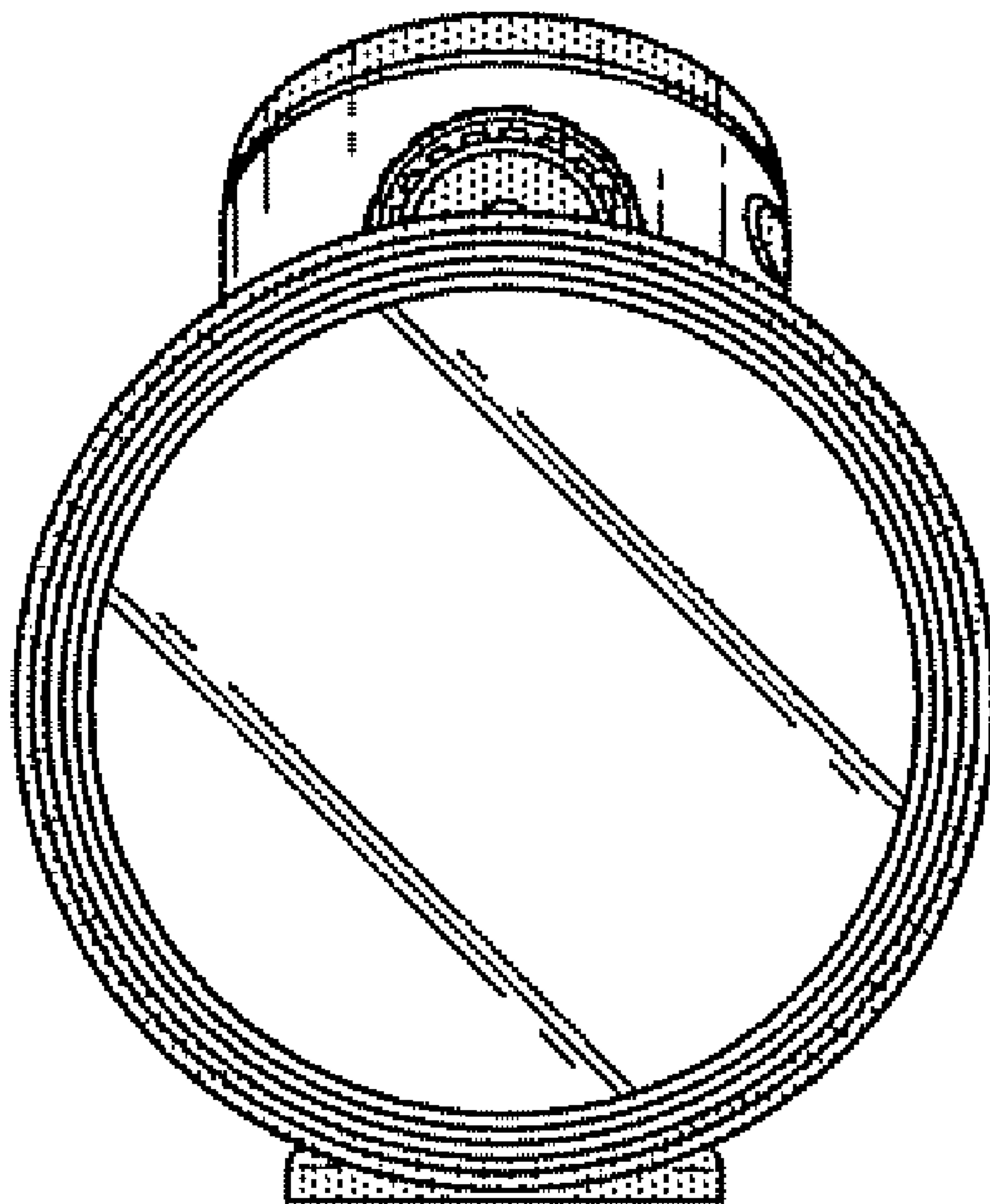


FIG. 7