



US00D594490S

(12) **United States Design Patent**
Breaser

(10) **Patent No.:** **US D594,490 S**

(45) **Date of Patent:** **** Jun. 16, 2009**

(54) **LUBRICATION DISPENSE VALVE**

(75) **Inventor:** **David L. Breaser**, Minneapolis, MN
(US)

(73) **Assignee:** **Graco Minnesota Inc.**, Minneapolis,
MN (US)

(**) **Term:** **14 Years**

(21) **Appl. No.:** **29/318,136**

(22) **Filed:** **May 14, 2008**

(51) **LOC (9) Cl.** **15-09**

(52) **U.S. Cl.** **D15/150**

(58) **Field of Classification Search** D15/9.1,
D15/150, 151, 152, 199; D25/3; D32/4;
141/86, 98, 231; 184/6.28, 6.4, 27.1, 27.3,
184/31, 58, 65, 81, 106, 108; 222/389, 608-628;
280/47.23, 47.26

See application file for complete search history.

(56) **References Cited**

U.S. PATENT DOCUMENTS

D202,483 S * 10/1965 Forrester D15/150
D226,591 S * 3/1973 Le Cheminant D15/151

D250,747 S * 1/1979 Mollico D3/291
D357,392 S * 4/1995 Kimpel et al. D8/14.1
D517,579 S * 3/2006 Frank D15/150
D537,458 S * 2/2007 Breaser D15/150

* cited by examiner

Primary Examiner—Sandra Snapp

Assistant Examiner—Patricia Palasik

(74) *Attorney, Agent, or Firm*—Douglas B. Farrow

(57) **CLAIM**

The ornamental design for the lubrication dispense valve, as shown and described.

DESCRIPTION

FIG. 1 is a front perspective view of the lubrication dispense valve;

FIG. 2 is a front elevation view thereof;

FIG. 3 is a rear elevation view thereof;

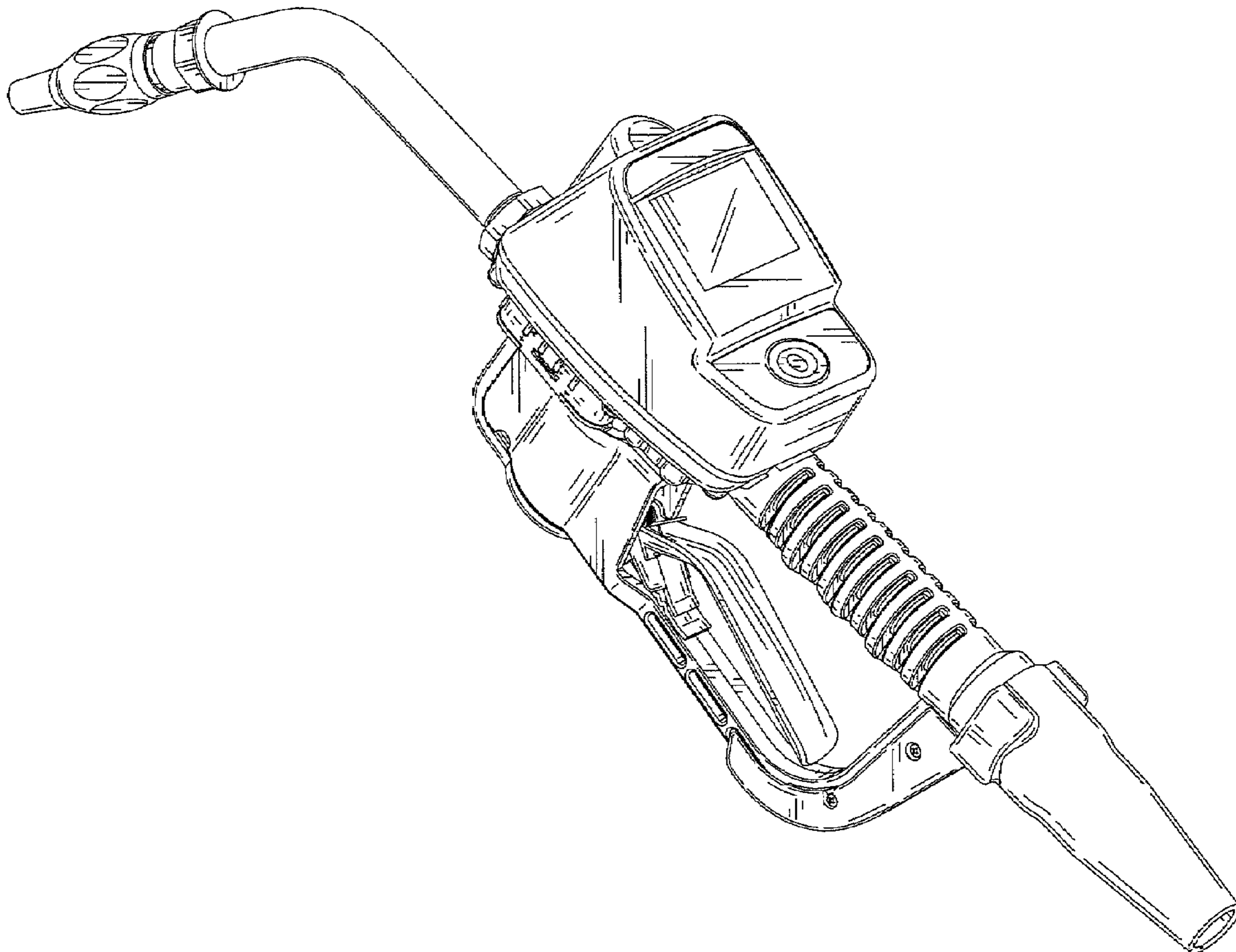
FIG. 4 is a right side elevation view thereof;

FIG. 5 is a left side elevation view thereof;

FIG. 6 is a front elevation view thereof; and,

FIG. 7 is a bottom elevation view thereof.

1 Claim, 7 Drawing Sheets



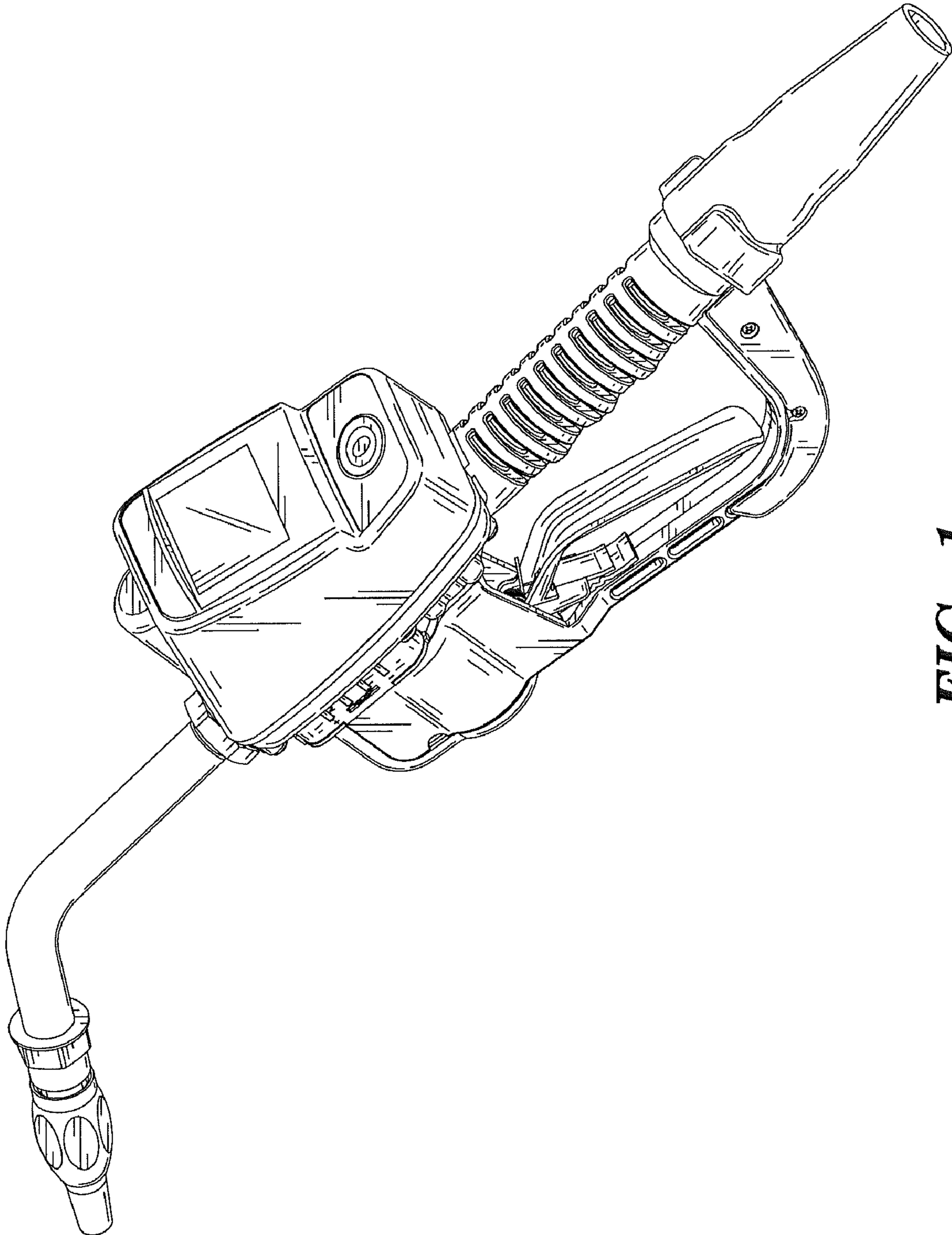


FIG. 1

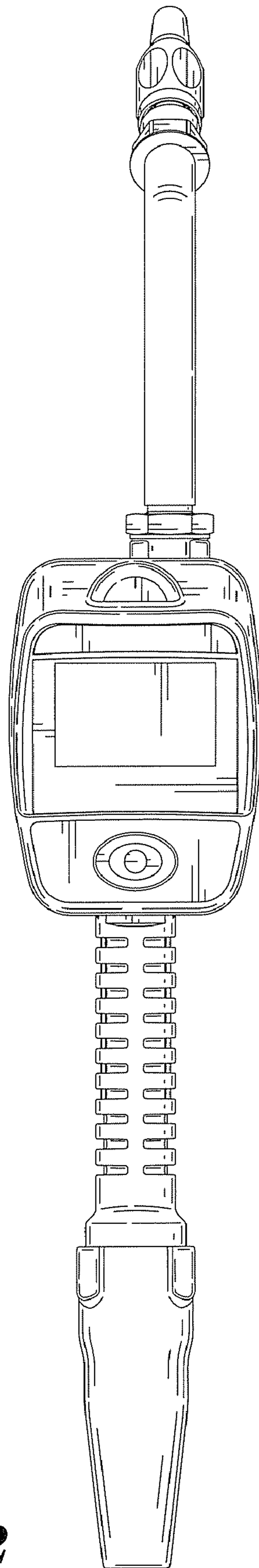


FIG. 2

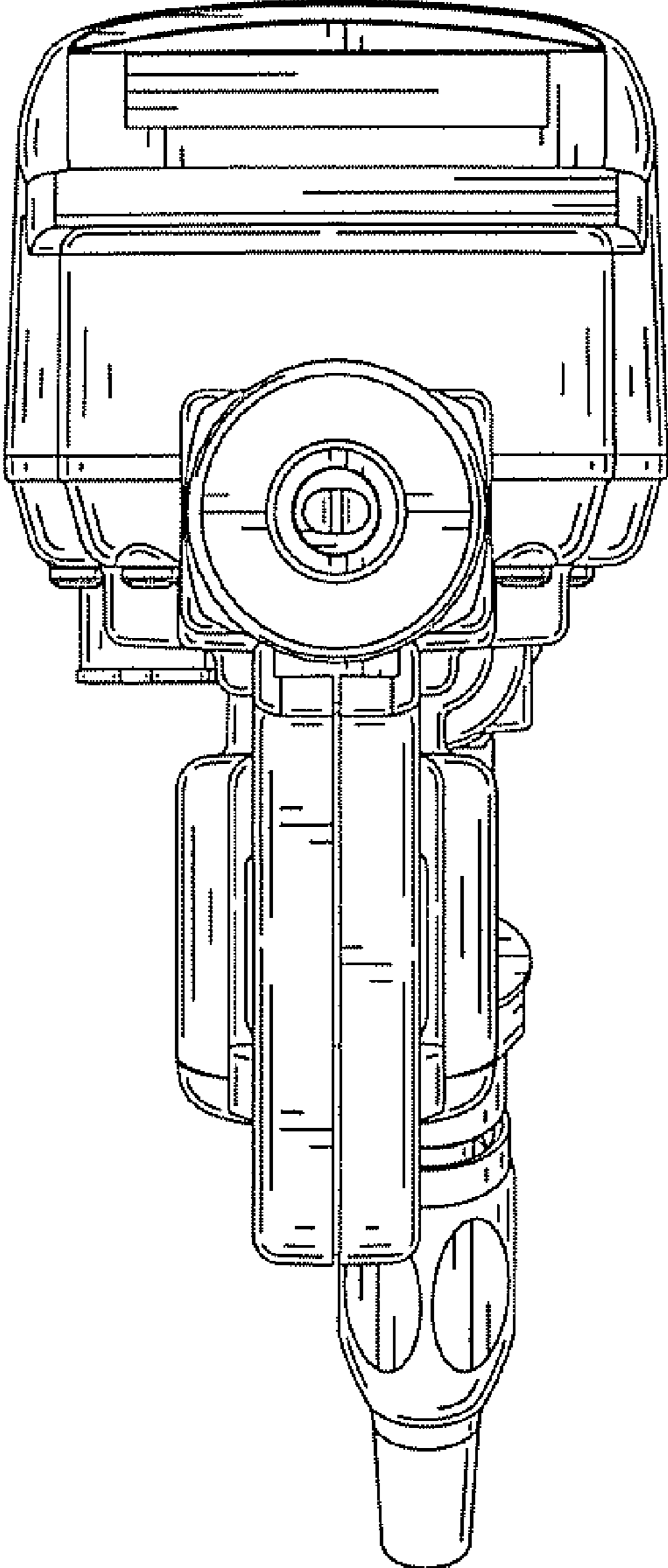


FIG. 3

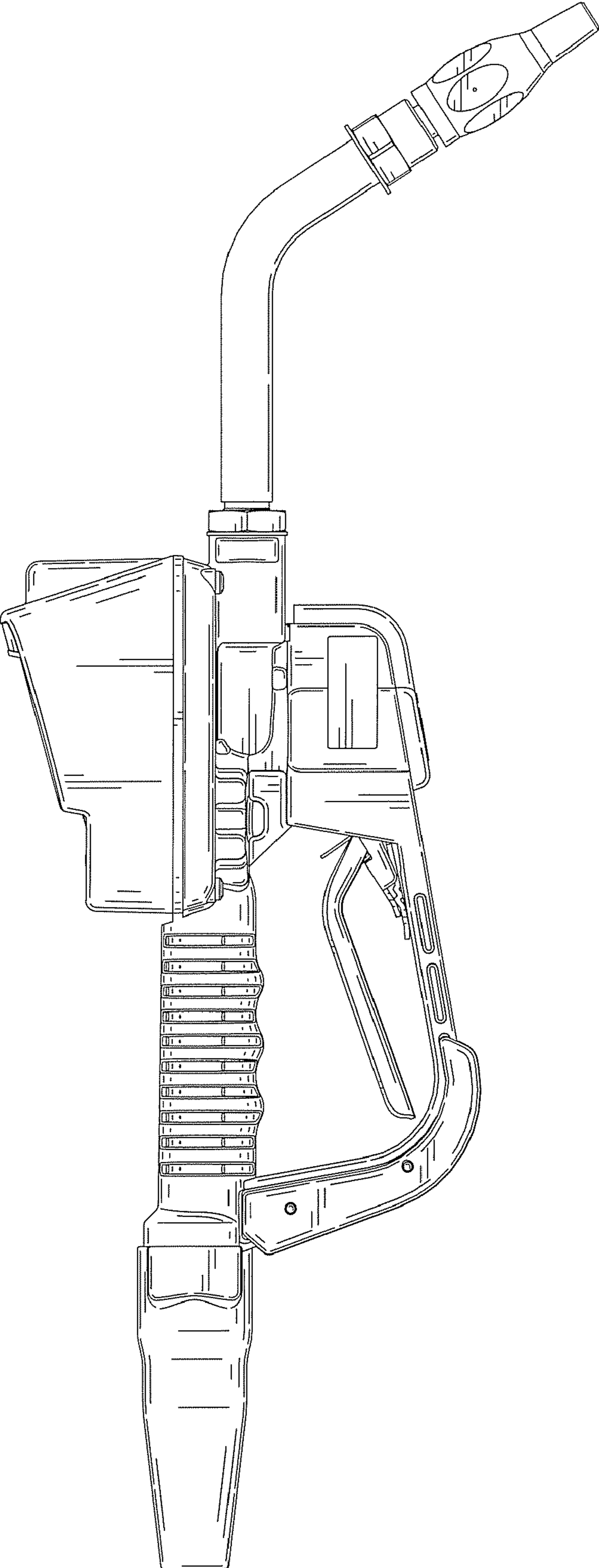


FIG. 4

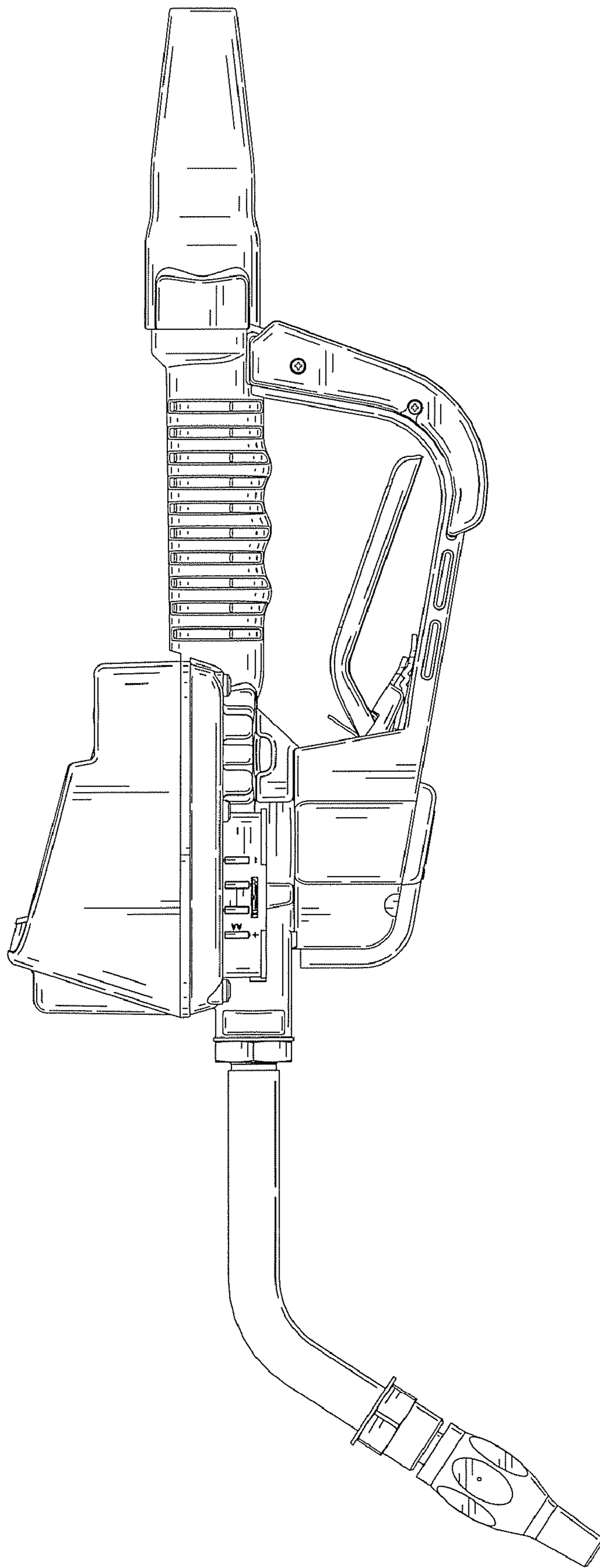


FIG. 5

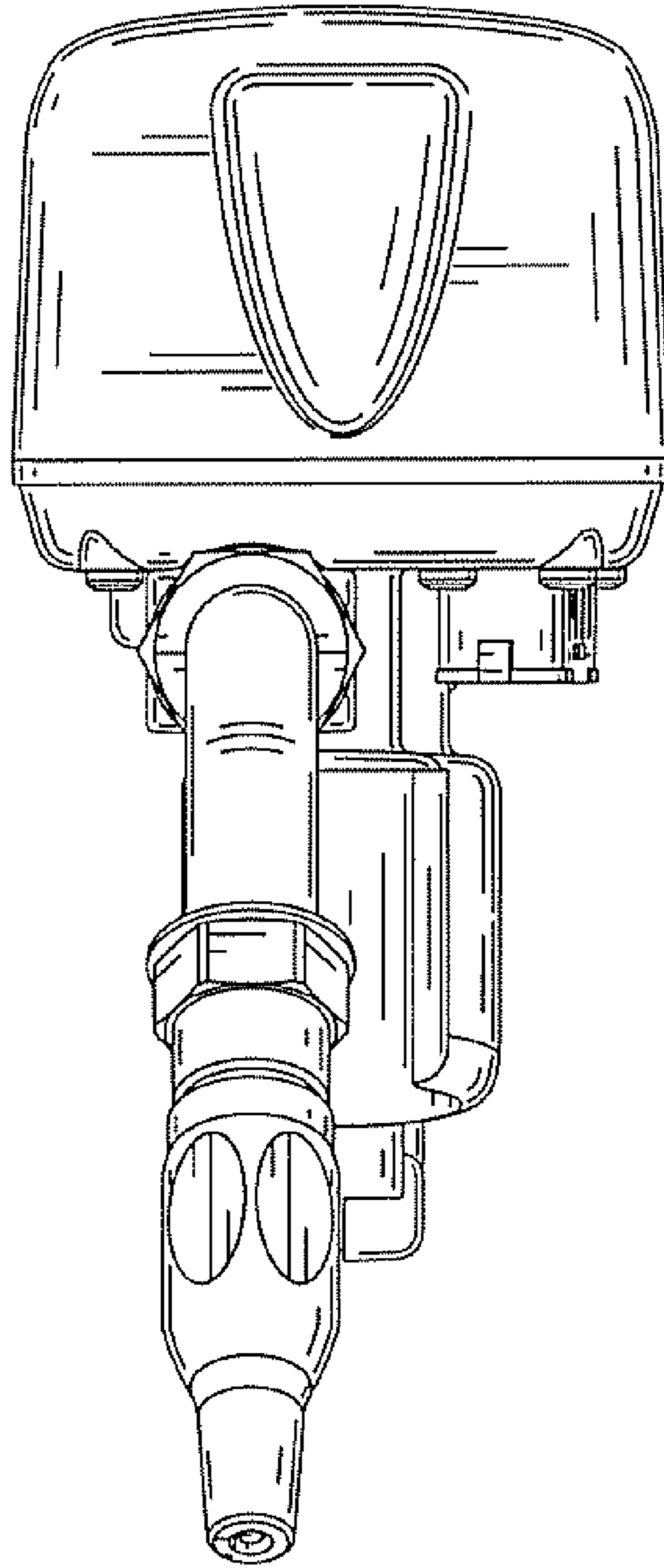


FIG. 6

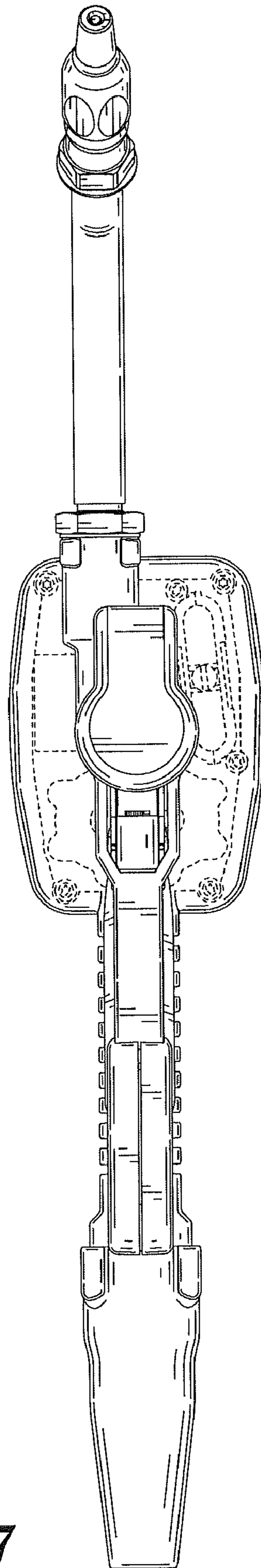


FIG. 7