



US00D594489S

(12) **United States Design Patent**
Rose

(10) **Patent No.:** **US D594,489 S**
(45) **Date of Patent:** **** Jun. 16, 2009**

(54) **PRESS SEPARATING MACHINE**

(75) Inventor: **Wolfgang Rose**, Stockelsdorf-Eckhorst
(DE)

(73) Assignee: **Nordischer Maschinenbau Rud.
Baader Gmbh + Co. KG**, Lubeck (DE)

(**) Term: **14 Years**

(21) Appl. No.: **29/266,816**

(22) Filed: **Sep. 29, 2006**

(30) **Foreign Application Priority Data**

Mar. 31, 2006 (EM) 000505953

(51) **LOC (9) Cl.** **15-09**

(52) **U.S. Cl.** **D15/147**

(58) **Field of Classification Search** D15/147,
D15/199; 17/1 G, 4, 22 C, 46; 241/24, 74;
452/127, 135, 136, 138, 140

See application file for complete search history.

(56) **References Cited**

U.S. PATENT DOCUMENTS

2,734,537 A * 2/1956 Geisler 452/135
3,769,903 A * 11/1973 Greider 452/127
4,014,075 A * 3/1977 van Bergen 452/138
4,025,985 A * 5/1977 Rousseau 452/138

4,141,113 A * 2/1979 Van Bergen 452/138
D262,628 S * 1/1982 Meyer D15/122
4,639,972 A * 2/1987 Martin et al. 452/140
D304,035 S * 10/1989 Munson et al. D15/122
5,041,055 A * 8/1991 Roth 452/140
5,667,435 A * 9/1997 Baughman et al. 452/138
2004/0227023 A1 * 11/2004 Hisamitsu 241/74
2006/0249608 A1 * 11/2006 Nemedi 241/74

* cited by examiner

Primary Examiner—Sandra Snapp

Assistant Examiner—Patricia Palasik

(74) *Attorney, Agent, or Firm*—Mattingly & Malur, P.C.

(57) **CLAIM**

The ornamental design for a press separating machine, as shown and described.

DESCRIPTION

FIG. 1 is a front, right side perspective view of an embodiment of a press separating machine showing the design;

FIG. 2 is a front elevational view thereof;

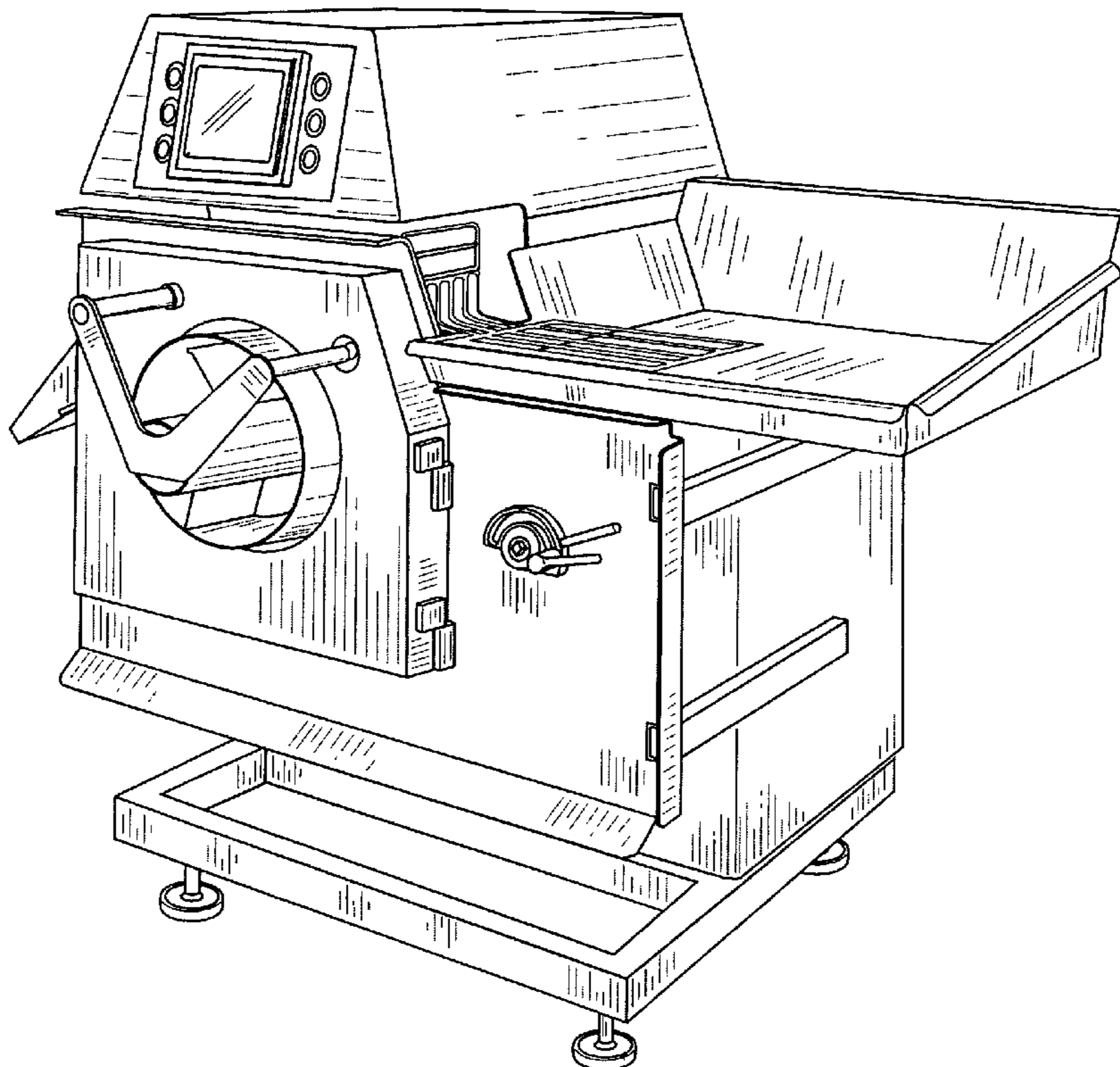
FIG. 3 is a rear elevational view thereof;

FIG. 4 is a left side elevational view thereof;

FIG. 5 is a right side elevational view thereof; and,

FIG. 6 is a top plan view thereof.

1 Claim, 6 Drawing Sheets



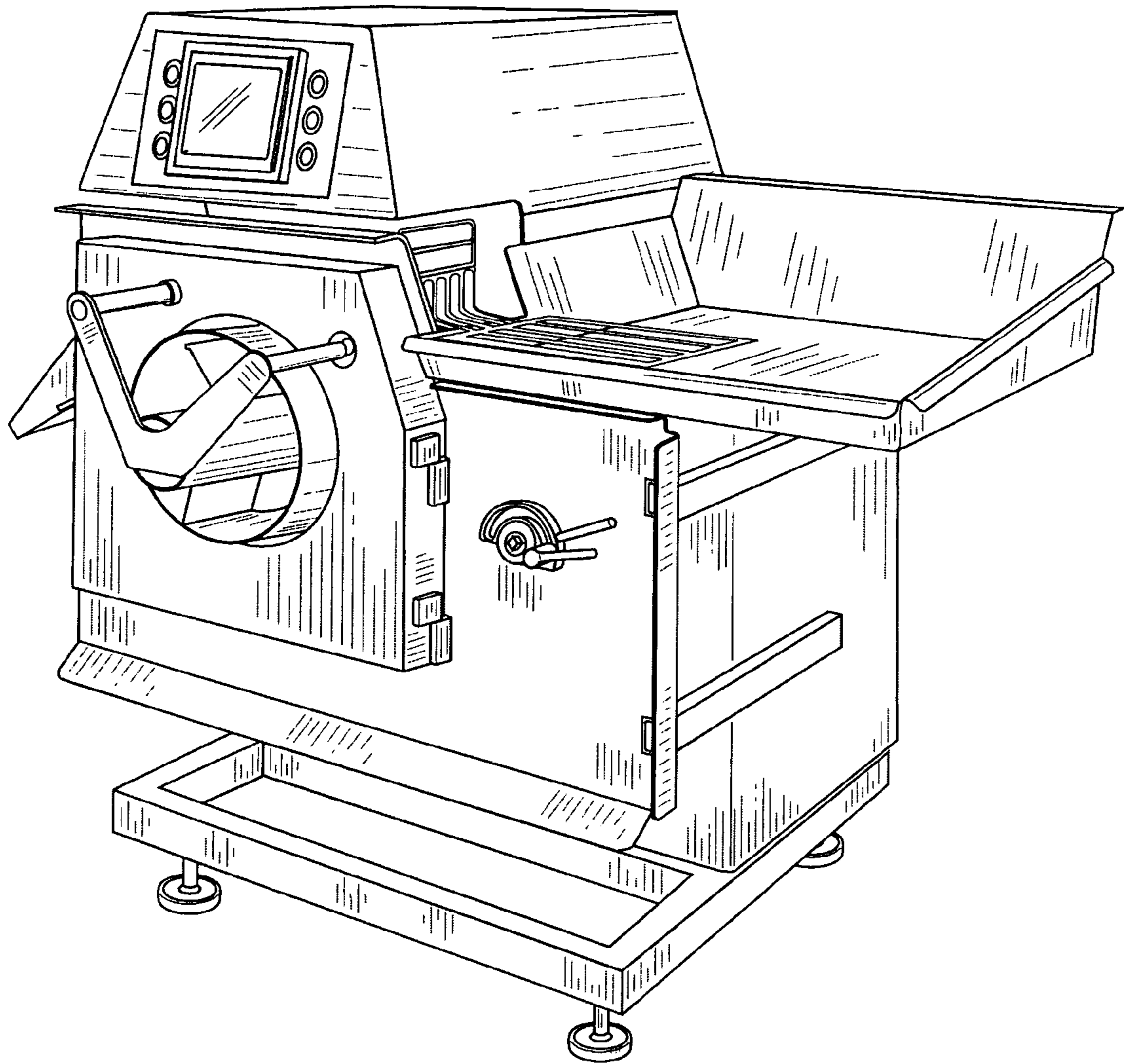


FIG. 1

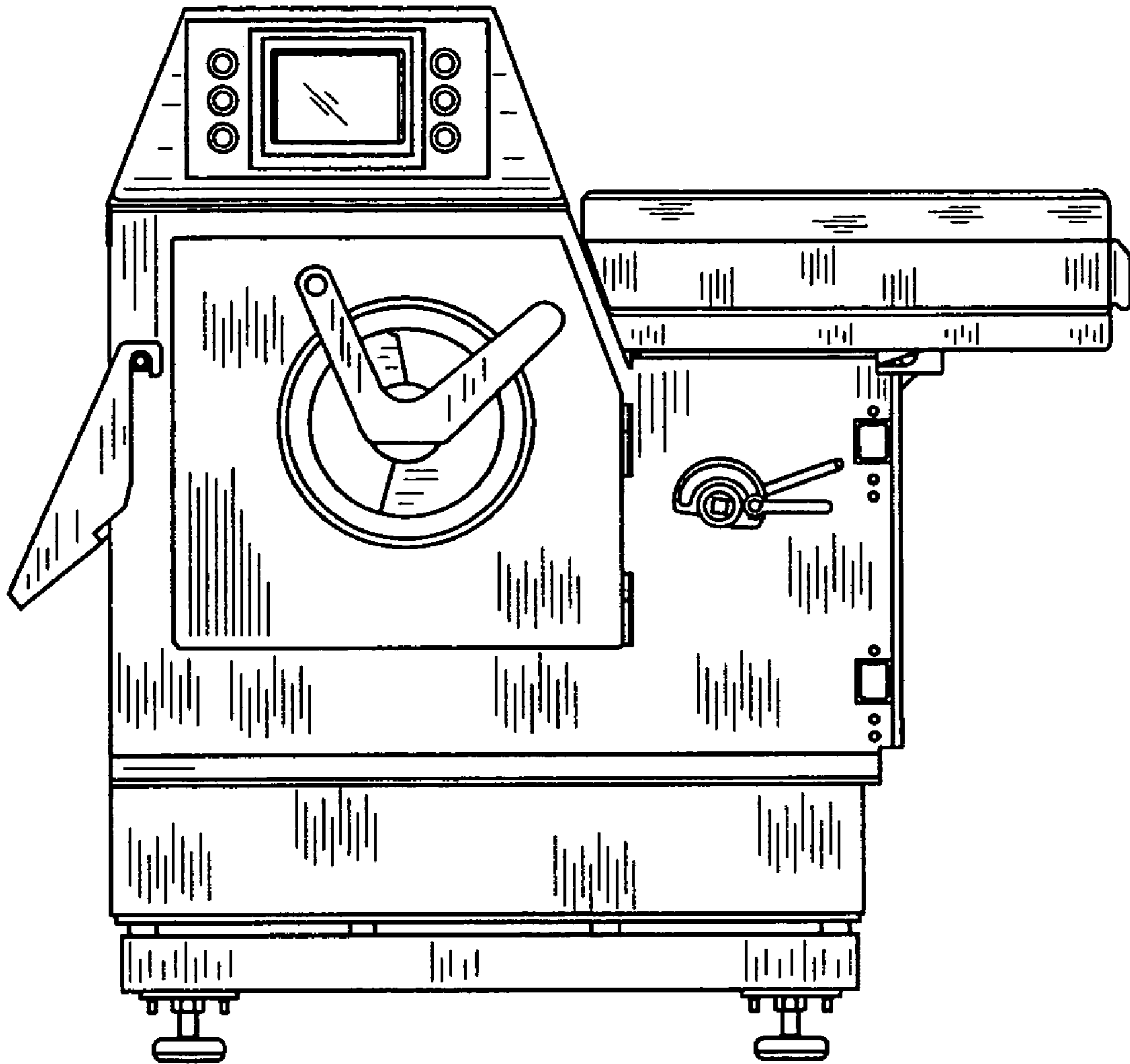


FIG. 2

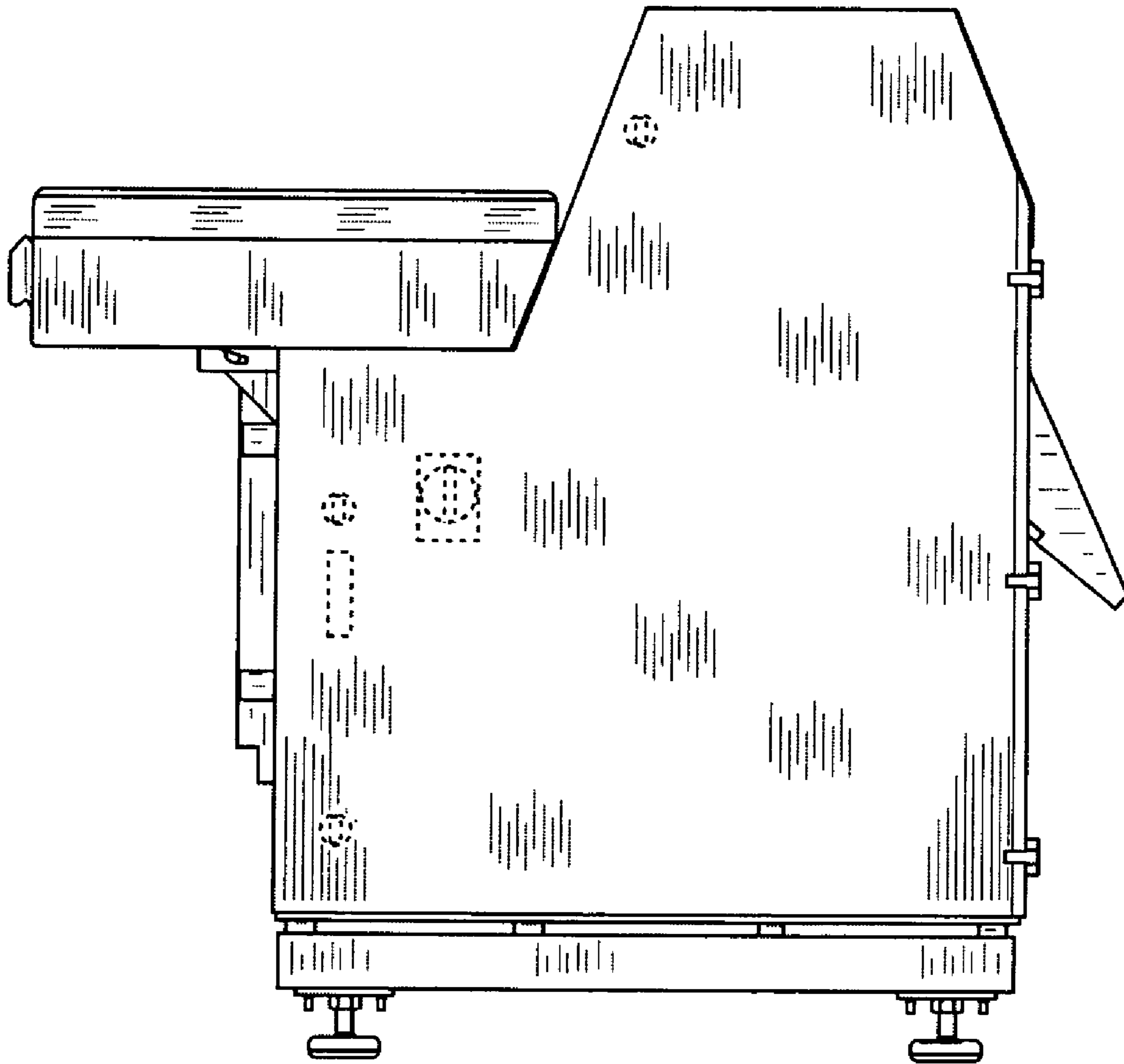


FIG. 3

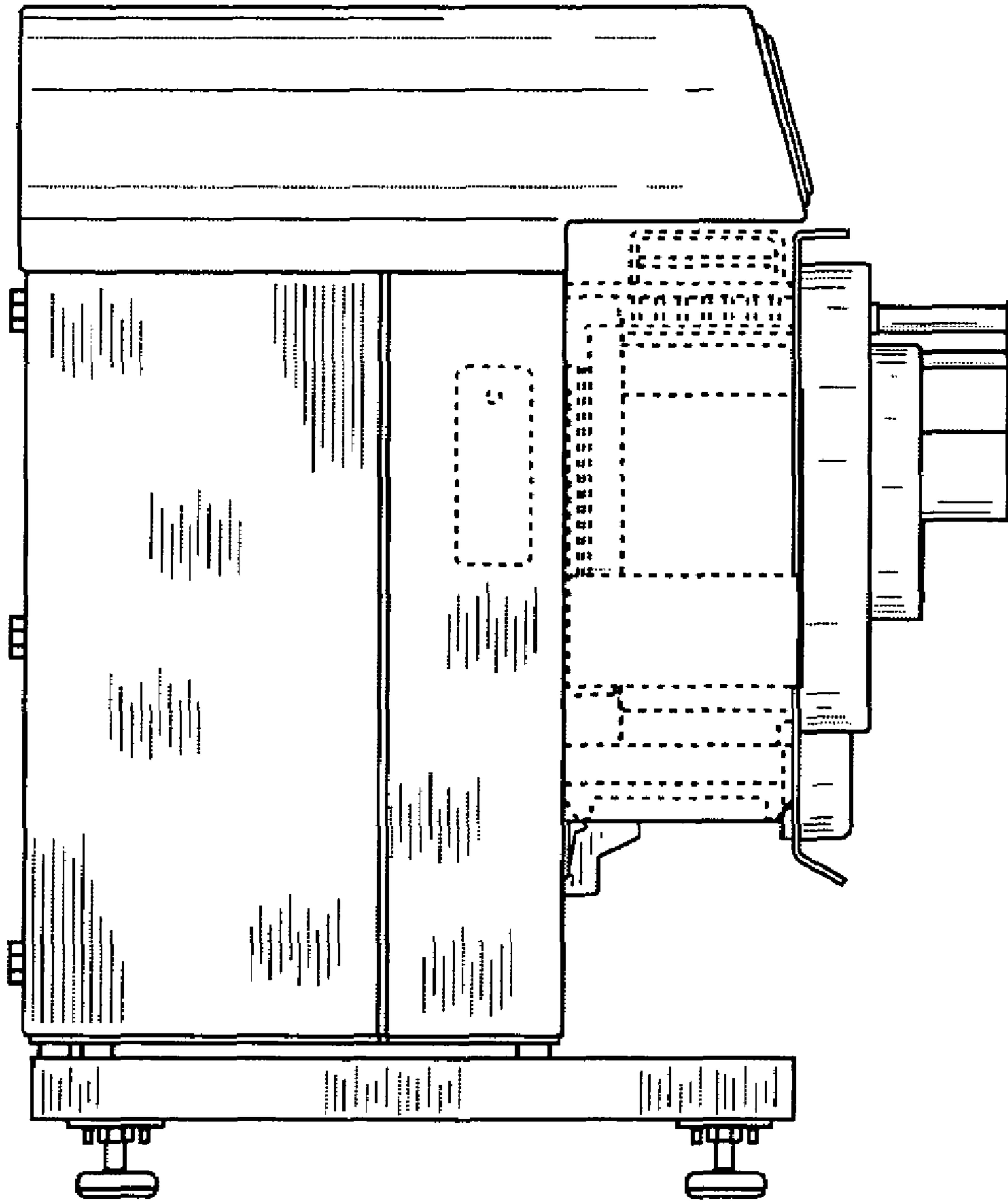


FIG. 4

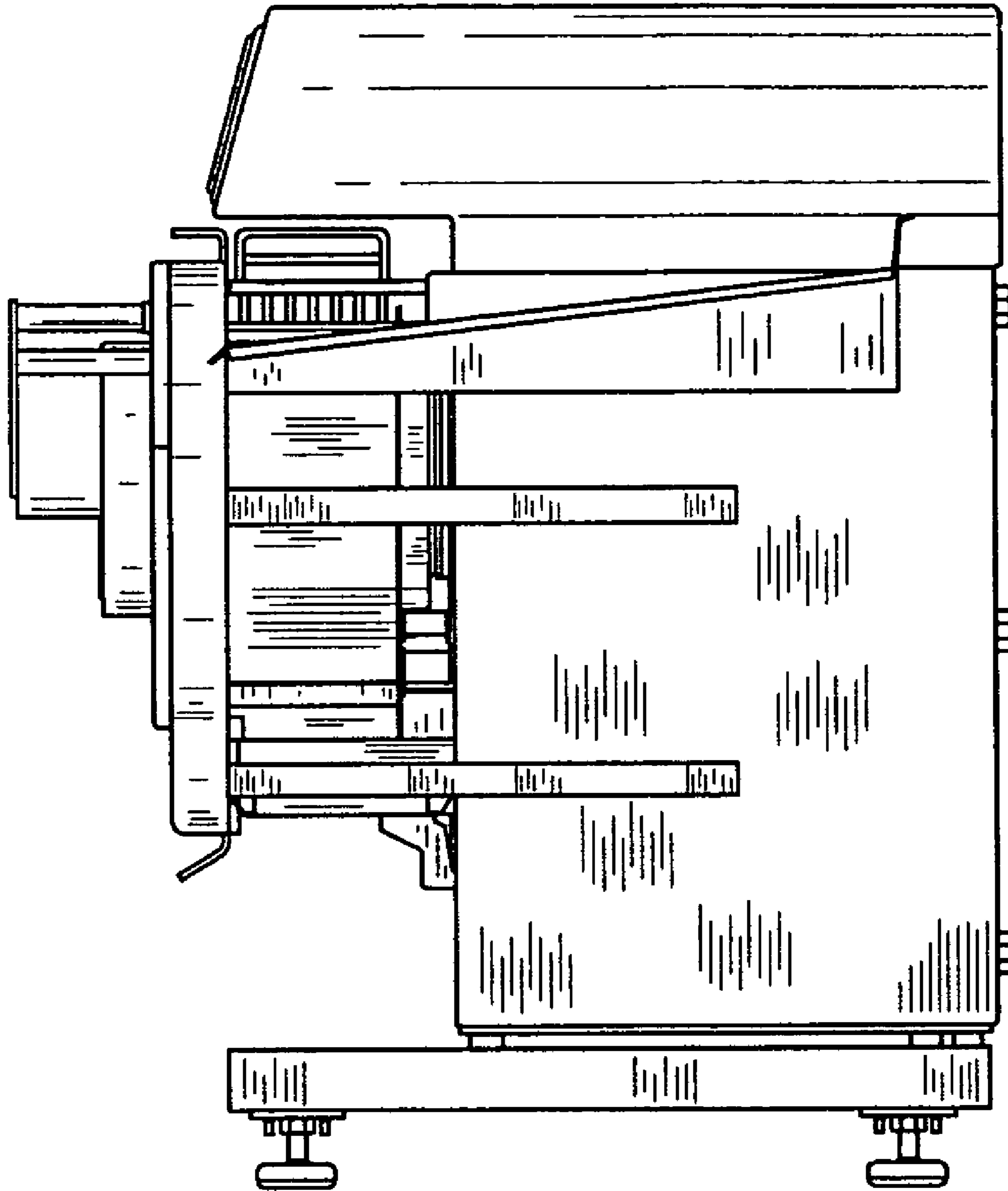


FIG. 5

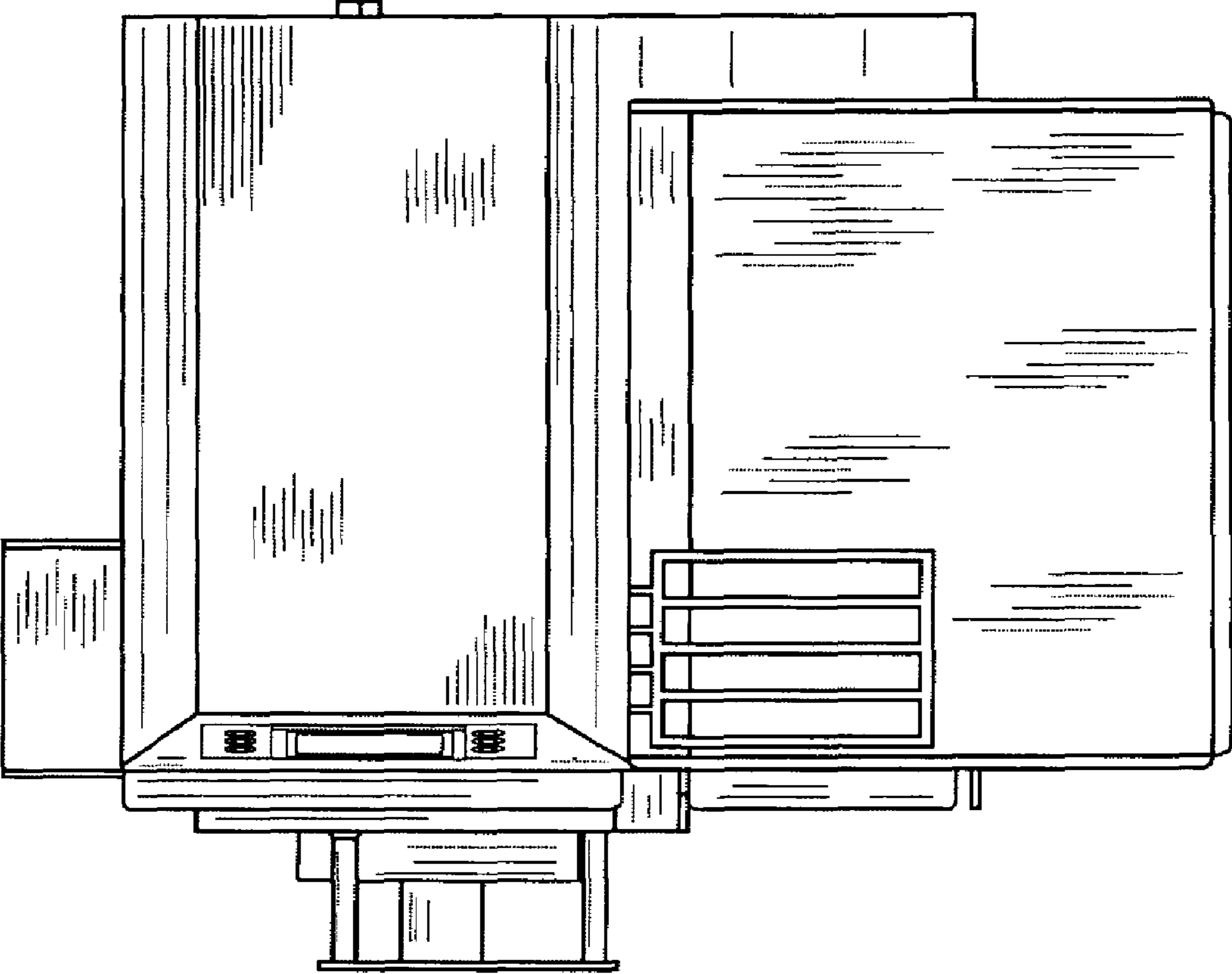


FIG. 6