



US00D594487S

(12) **United States Design Patent**
Lund et al.

(10) **Patent No.:** **US D594,487 S**
(45) **Date of Patent:** **** Jun. 16, 2009**

(54) **LINEAR ACTUATOR**

(75) Inventors: **Peter B. Lund**, Aarhus C (DK); **John Landerholm**, Aarhus C (DK)

(73) Assignee: **Linak A/S**, Nordborg (DK)

(**) Term: **14 Years**

(21) Appl. No.: **29/300,168**

(22) Filed: **Feb. 27, 2008**

(30) **Foreign Application Priority Data**

Sep. 1, 2007 (DK) DA 2007 00209

(51) **LOC (9) Cl.** **15-09**

(52) **U.S. Cl.** **D15/143**

(58) **Field of Classification Search** D15/143,
D15/148, 149; 74/89.15, 411.5, 490.09;
297/14, 325, 327; 310/20, 80

See application file for complete search history.

(56) **References Cited**

U.S. PATENT DOCUMENTS

6,321,611 B1 * 11/2001 Szu et al. 192/141
D458,284 S * 6/2002 Landerholm et al. D15/143
D497,620 S * 10/2004 Morton D15/7
D514,146 S * 1/2006 Haneball D15/143
D522,028 S * 5/2006 Beadle et al. D15/148
D523,880 S * 6/2006 Christensen et al. D15/143

2005/0264109 A1 * 12/2005 Abrahamsen 310/80
2007/0169578 A1 * 7/2007 Christensen et al. 74/89.37
2008/0048514 A1 * 2/2008 Hoffmann et al. 310/80

OTHER PUBLICATIONS

Linak LA34 actuator, 1997.

* cited by examiner

Primary Examiner—Sandra Snapp

Assistant Examiner—Patricia Palasik

(74) *Attorney, Agent, or Firm*—Dykema Gossett PLLC

(57) **CLAIM**

The ornamental design for a linear actuator, as shown and described.

DESCRIPTION

FIG. 1 is a perspective front view of a linear actuator showing our new design,

FIG. 2 is a perspective rear view thereof,

FIG. 3 is an elevational right side view thereof,

FIG. 4 is an elevational left side view thereof,

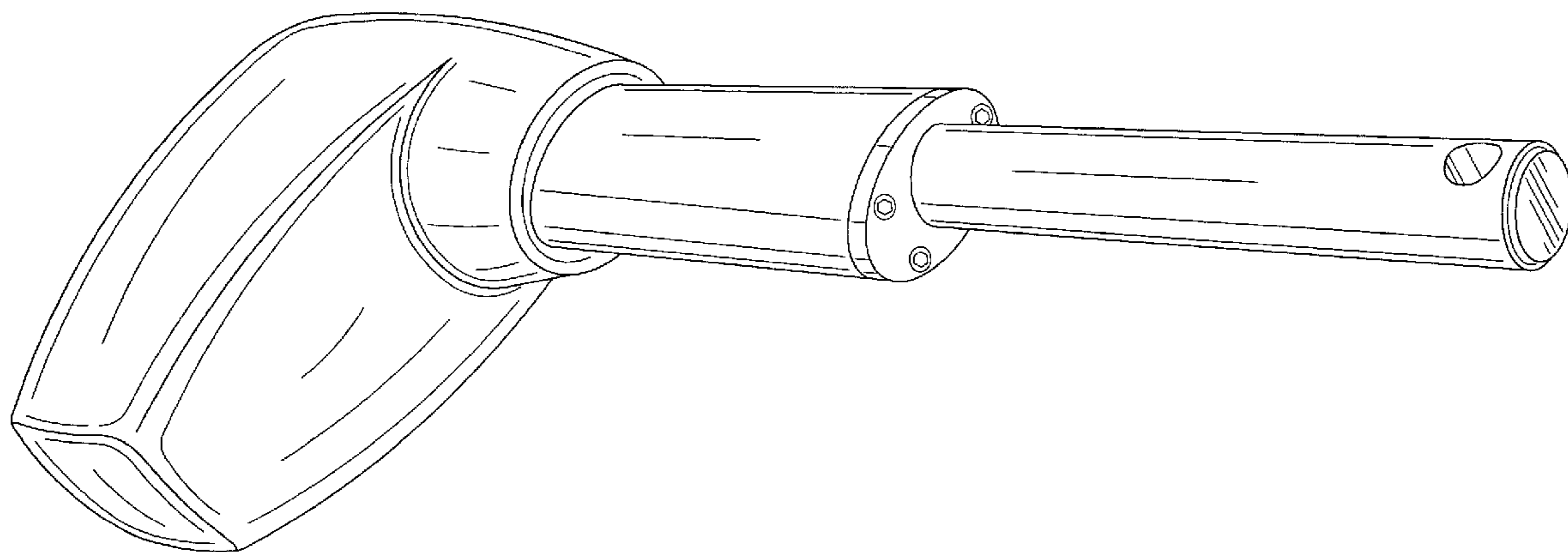
FIG. 5 is a top plan view thereof,

FIG. 6 is a bottom plan view thereof,

FIG. 7 is an elevational front view thereof; and,

FIG. 8 is an elevational rear view thereof.

1 Claim, 8 Drawing Sheets



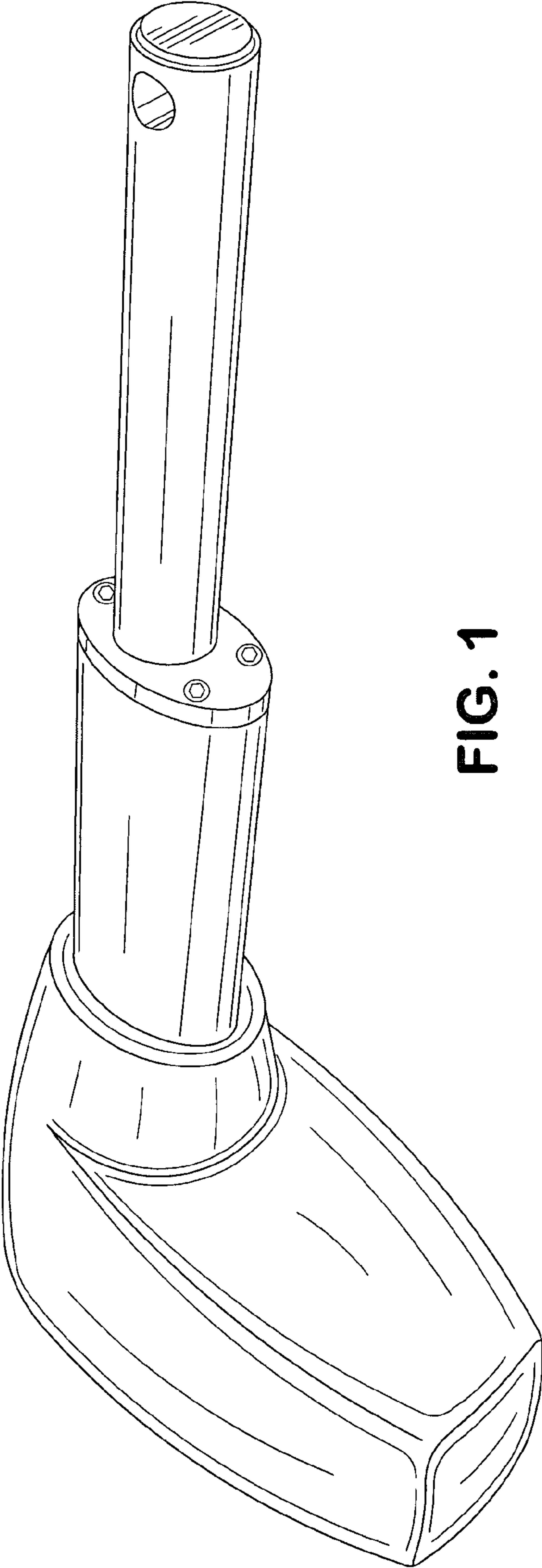


FIG. 1

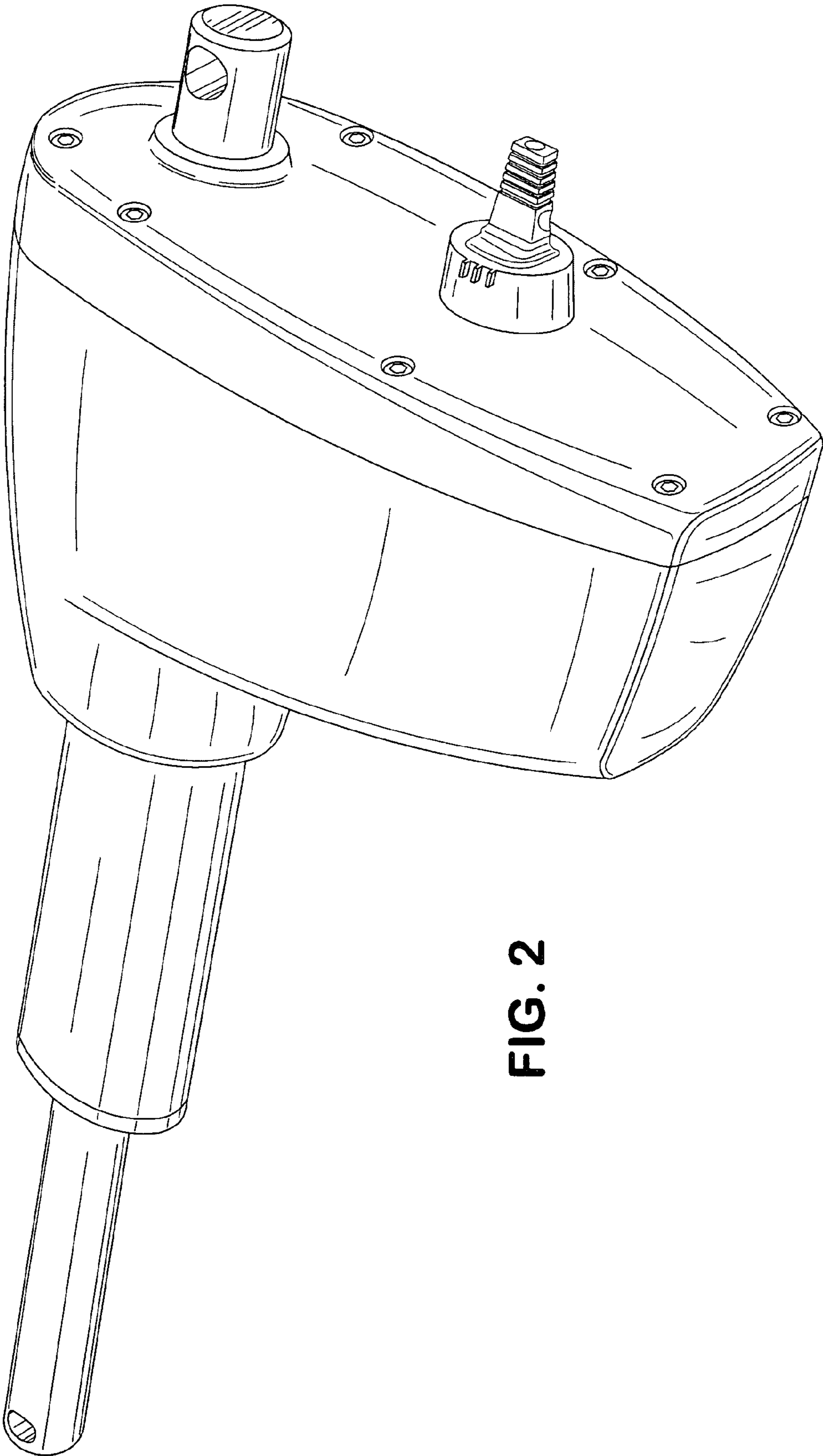


FIG. 2

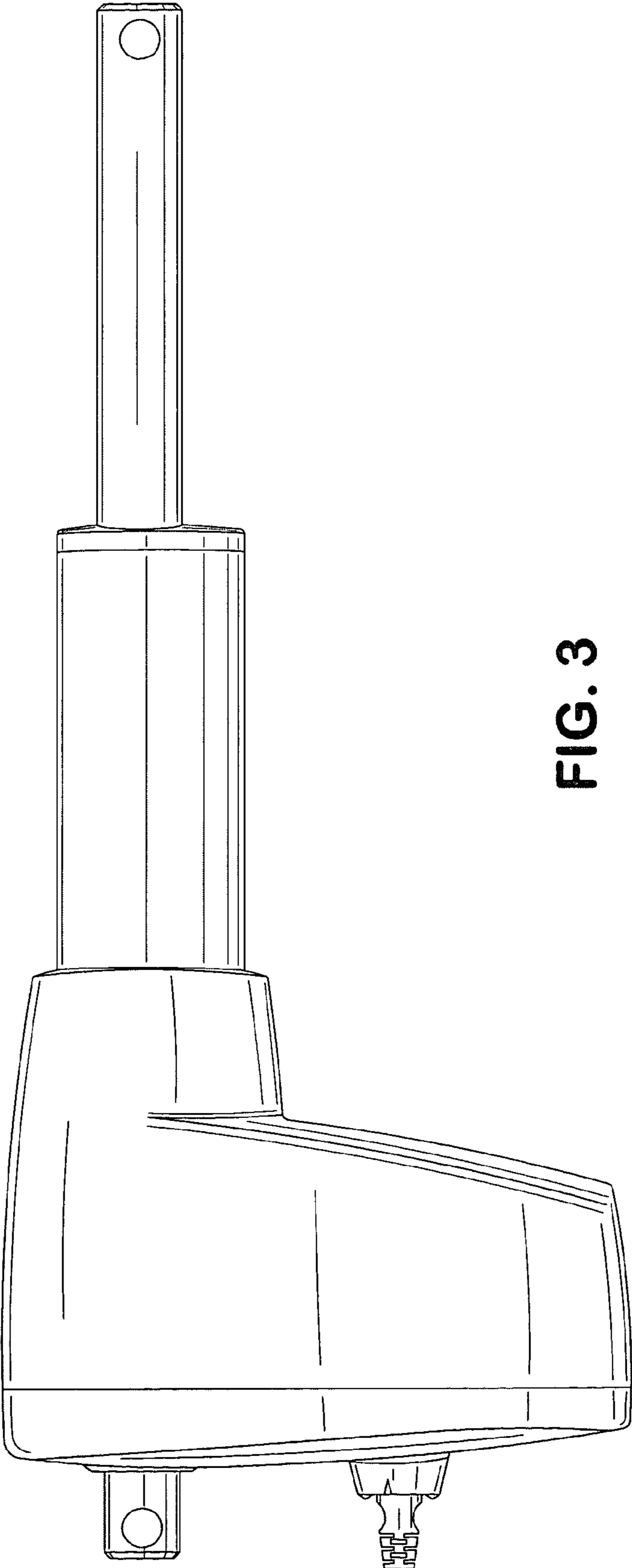


FIG. 3

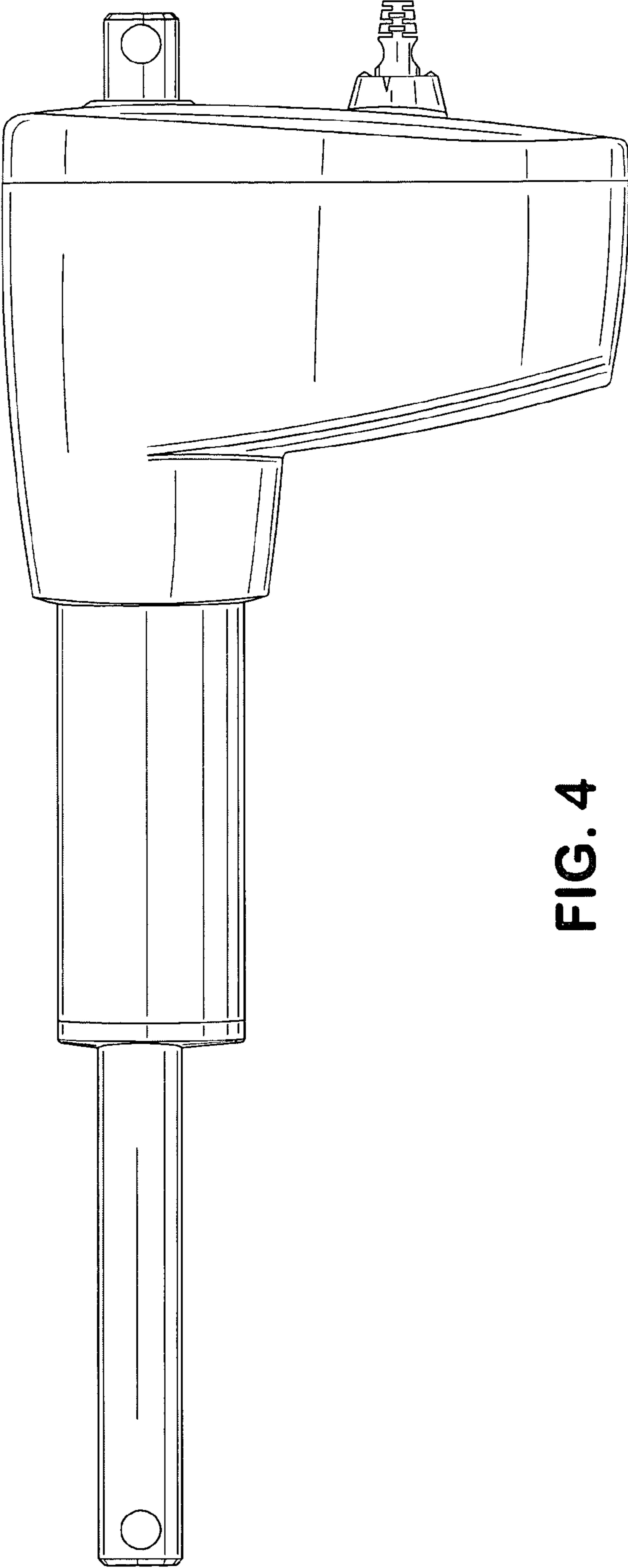


FIG. 4

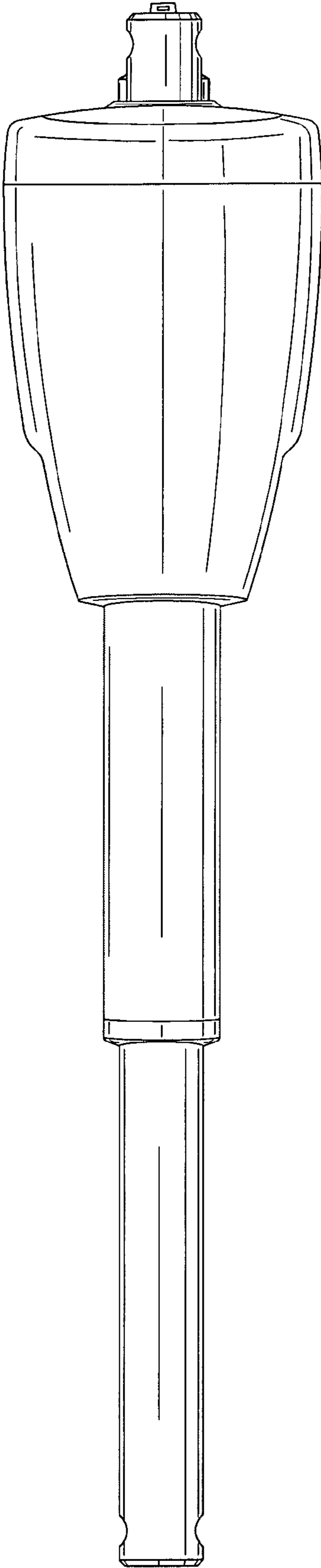


FIG. 5

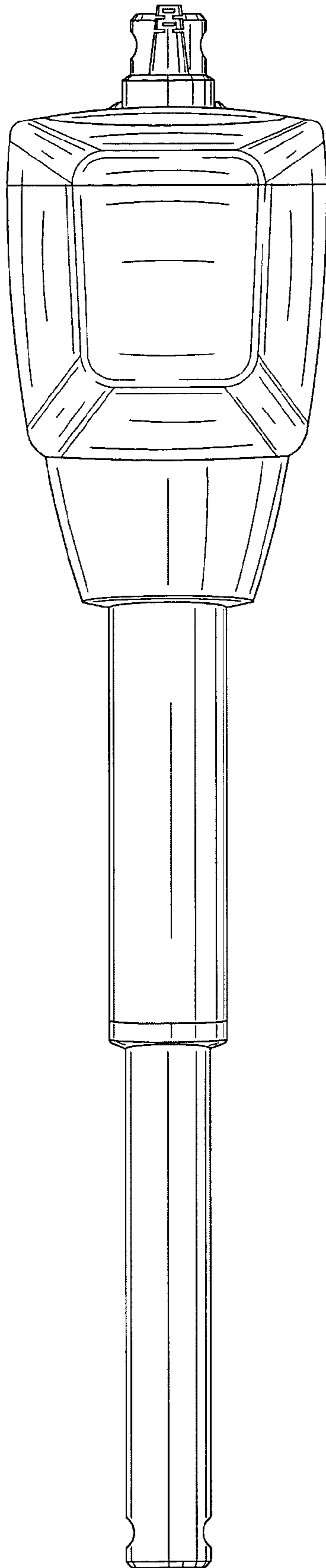


FIG. 6

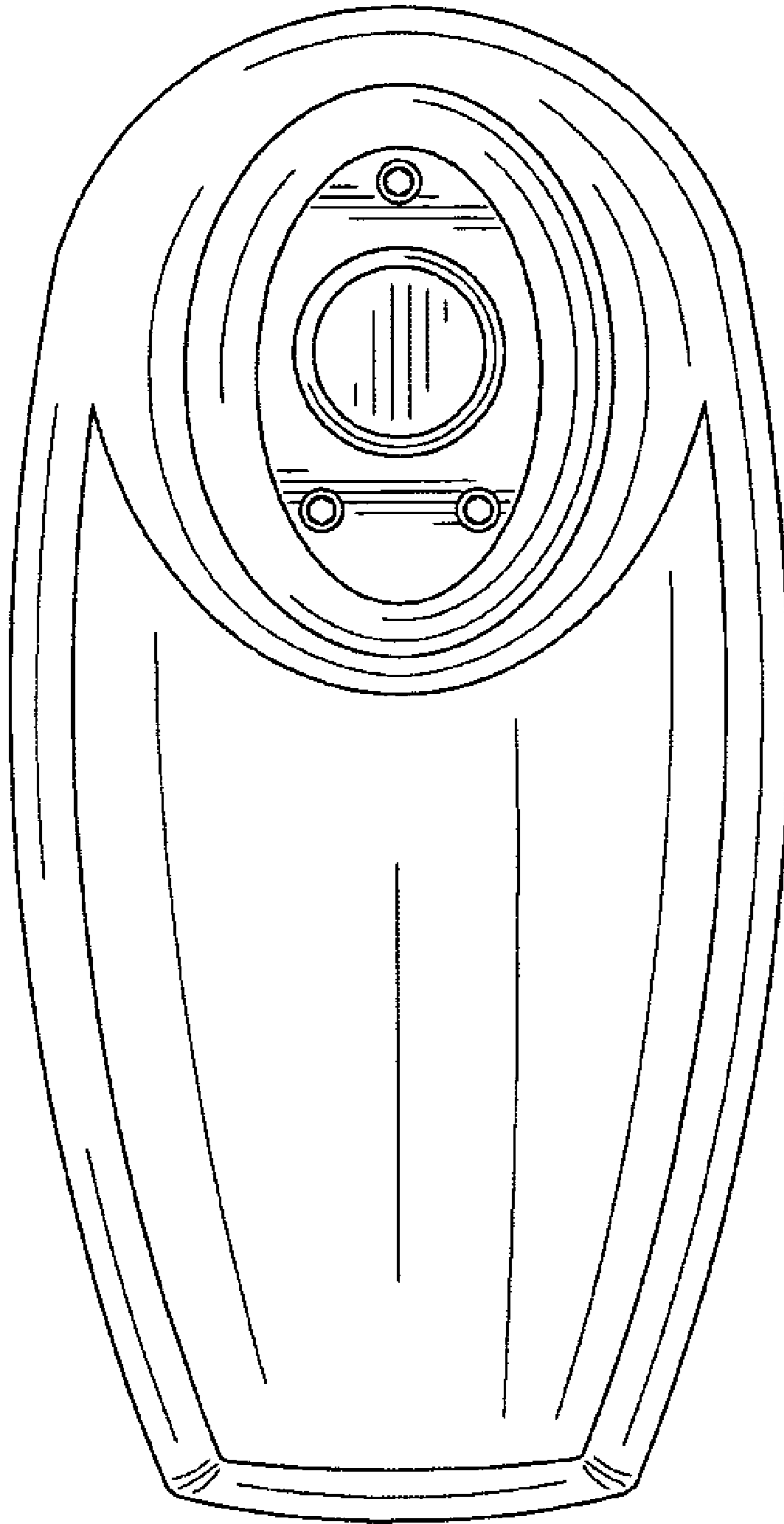


FIG. 7

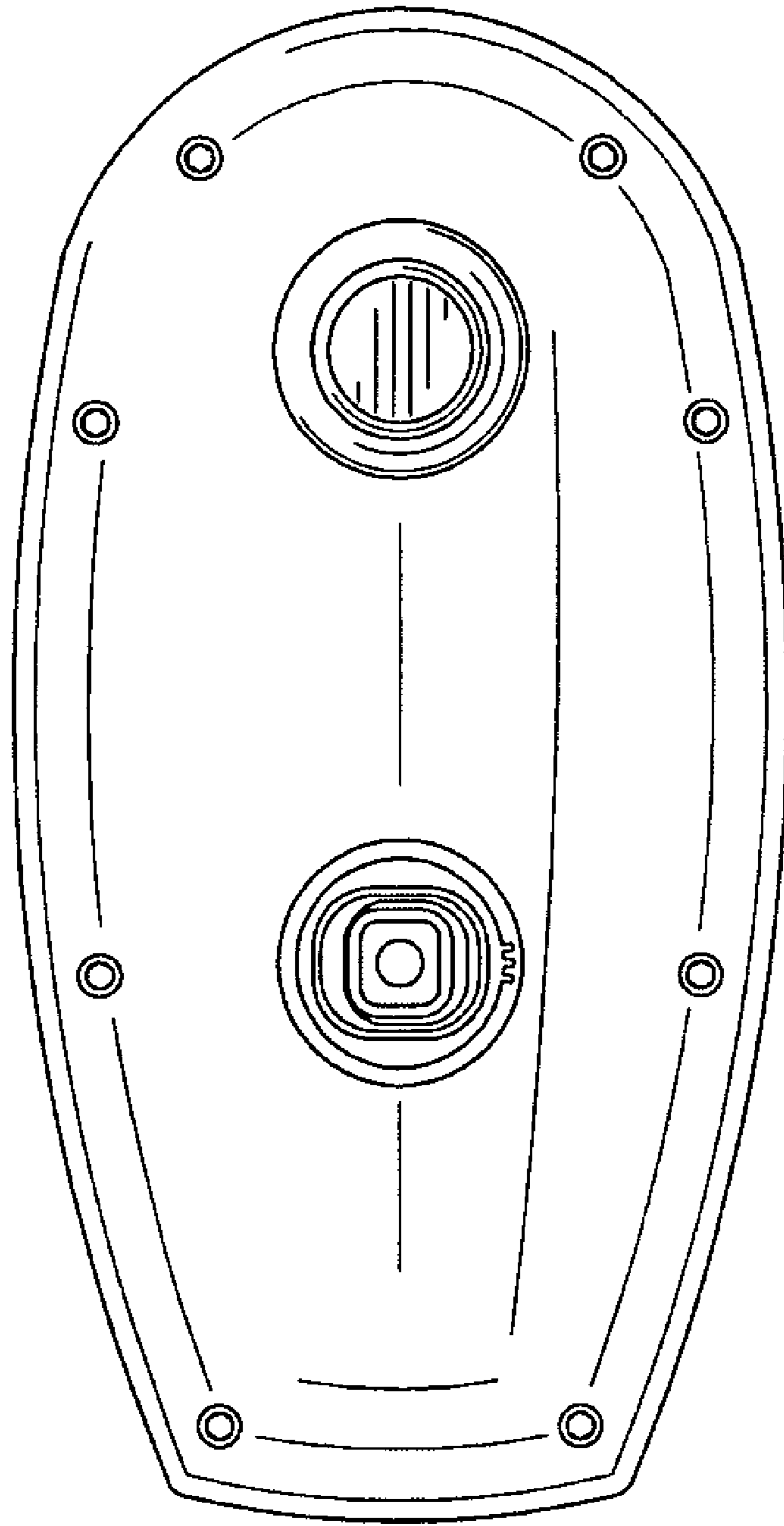


FIG. 8