

US00D594484S

(12) **United States Design Patent**
Leasure et al.

(10) **Patent No.:** **US D594,484 S**
(45) **Date of Patent:** **** Jun. 16, 2009**

(54) **TABLE SAW**

(75) Inventors: **Jeremy D. Leasure**, Jackson, TN (US);
Jeffrey D. Weston, Jackson, TN (US);
Jeremy J. Burke, Jackson, TN (US)

(73) Assignee: **Black & Decker Inc.**, Newark, DE (US)

(**) Term: **14 Years**

(21) Appl. No.: **29/330,628**

(22) Filed: **Jan. 12, 2009**

Related U.S. Application Data

(63) Continuation of application No. 29/282,336, filed on Jul. 17, 2007, now Pat. No. Des. 586,371.

(51) **LOC (9) Cl.** **15-09**

(52) **U.S. Cl.** **D15/133**

(58) **Field of Classification Search** D15/125,
D15/133; 83/432, 435, 438, 468, 468.3,
83/468.7, 471.2, 477, 477.2, 478; 144/253.1,
144/286.1, 286.5, 287

See application file for complete search history.

(56) **References Cited**

U.S. PATENT DOCUMENTS

2,850,054 A * 9/1958 Eschenburg 83/473
5,148,933 A * 9/1992 Hewitt 220/4.31
D344,081 S * 2/1994 Hollinger et al. D15/133

6,418,829 B1 * 7/2002 Pilchowski 83/397
D577,374 S * 9/2008 Leasure et al. D15/133
2004/0118261 A1 * 6/2004 Garcia et al. 83/471.3
2004/0250902 A1 * 12/2004 Kimmel et al. 144/286.1
2005/0098006 A1 * 5/2005 Jorgensen 83/100
2005/0139057 A1 * 6/2005 Gass et al. 83/477.2
2006/0201302 A1 * 9/2006 Schwaiger et al. 83/477.2
2007/0095185 A1 * 5/2007 Chang 83/478
2008/0178722 A1 * 7/2008 Gass et al. 83/478

* cited by examiner

Primary Examiner—Sandra Snapp

Assistant Examiner—Patricia Palasik

(74) *Attorney, Agent, or Firm*—Adan Ayala

(57) **CLAIM**

The ornamental design for a table saw, as shown and described.

DESCRIPTION

FIG. 1 is a perspective view of a first embodiment of a table saw according to the invention.

FIG. 2 is a front view of the table saw of FIG. 1.

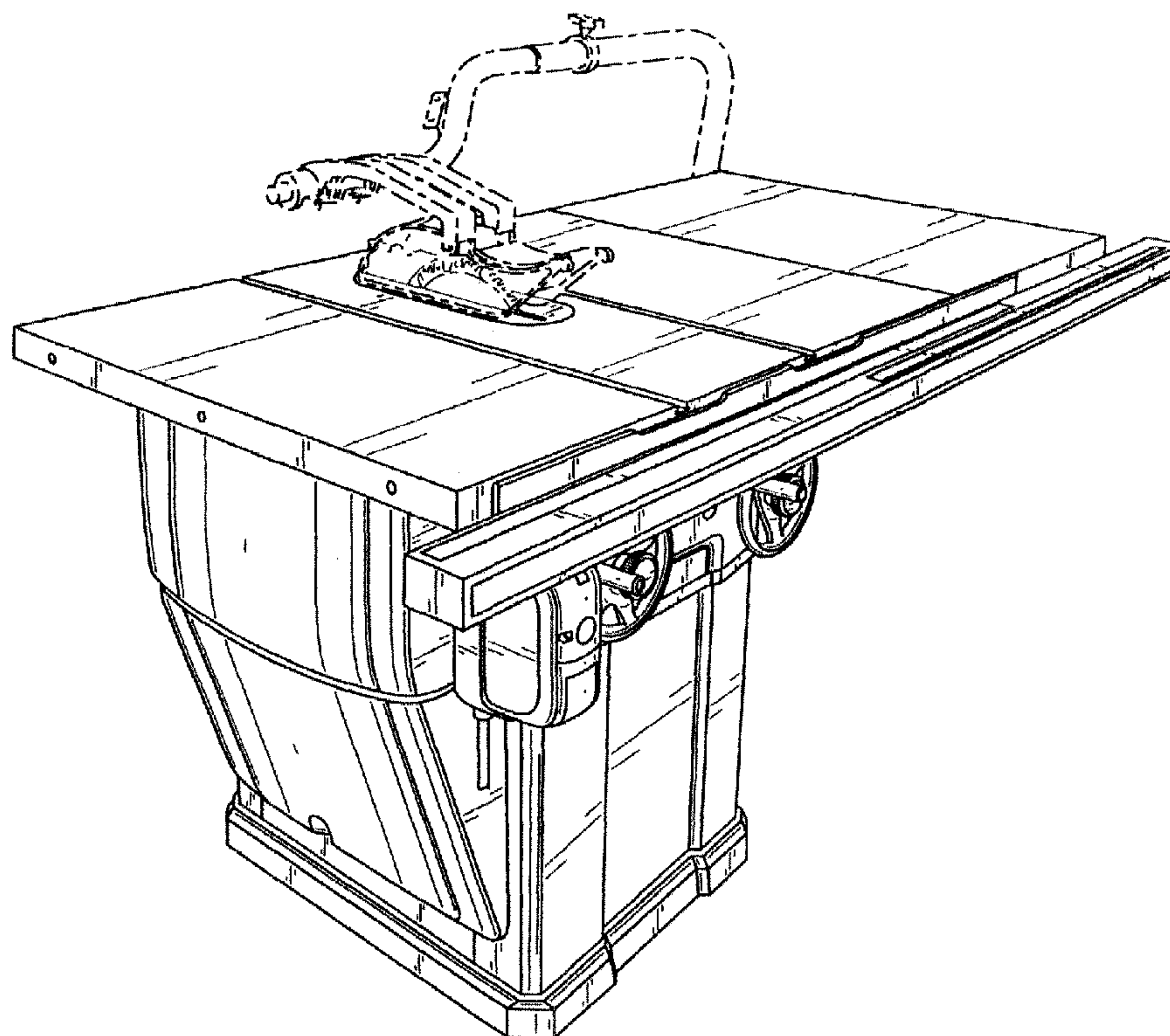
FIG. 3 is a rear view of the table saw of FIG. 1.

FIG. 4 is a left side view of the table saw of FIG. 1.

FIG. 5 is a right side view of the table saw of FIG. 1; and,

FIG. 6 is a top plan view of the table saw of FIG. 1.

1 Claim, 6 Drawing Sheets



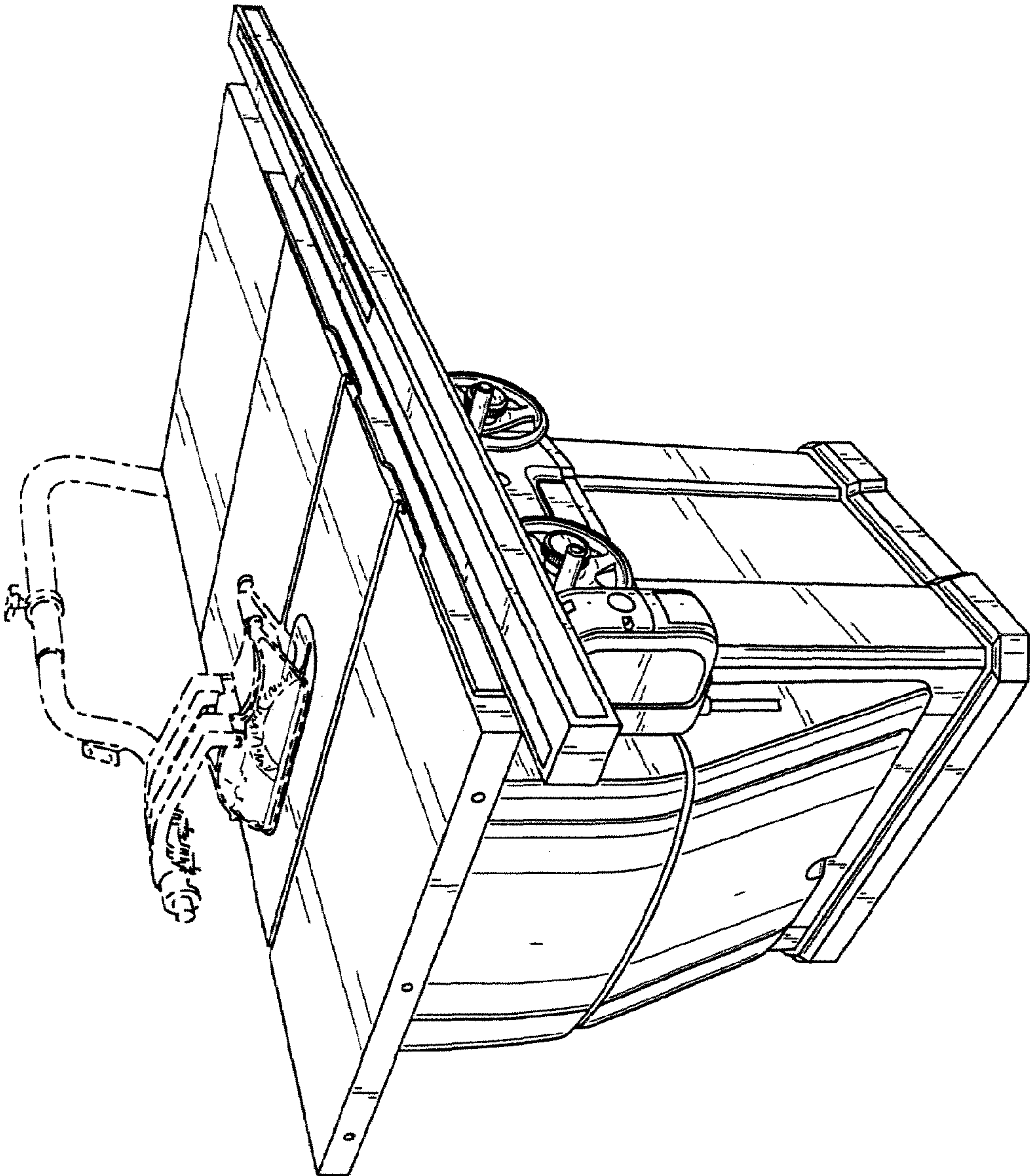


FIG. 1

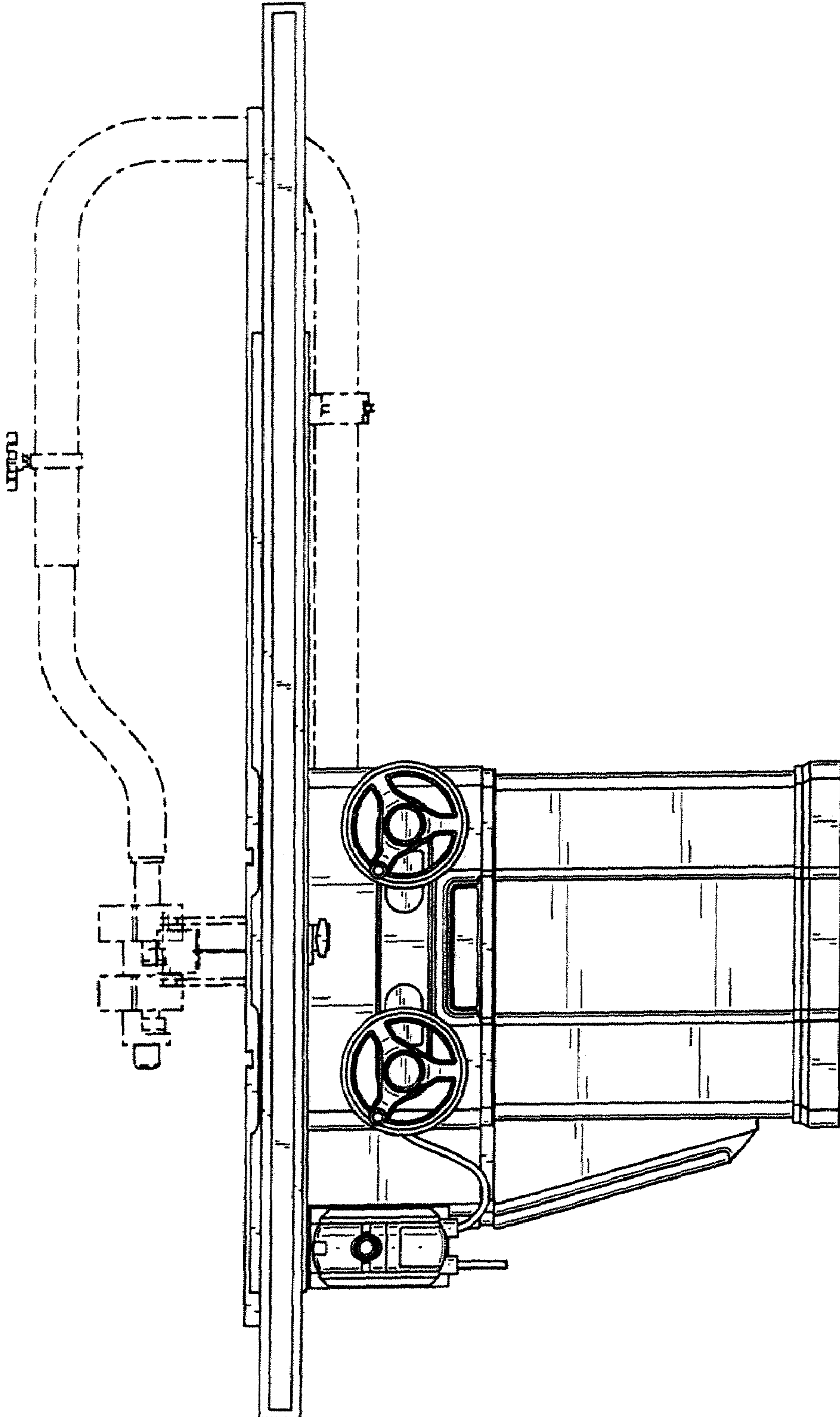


FIG. 2

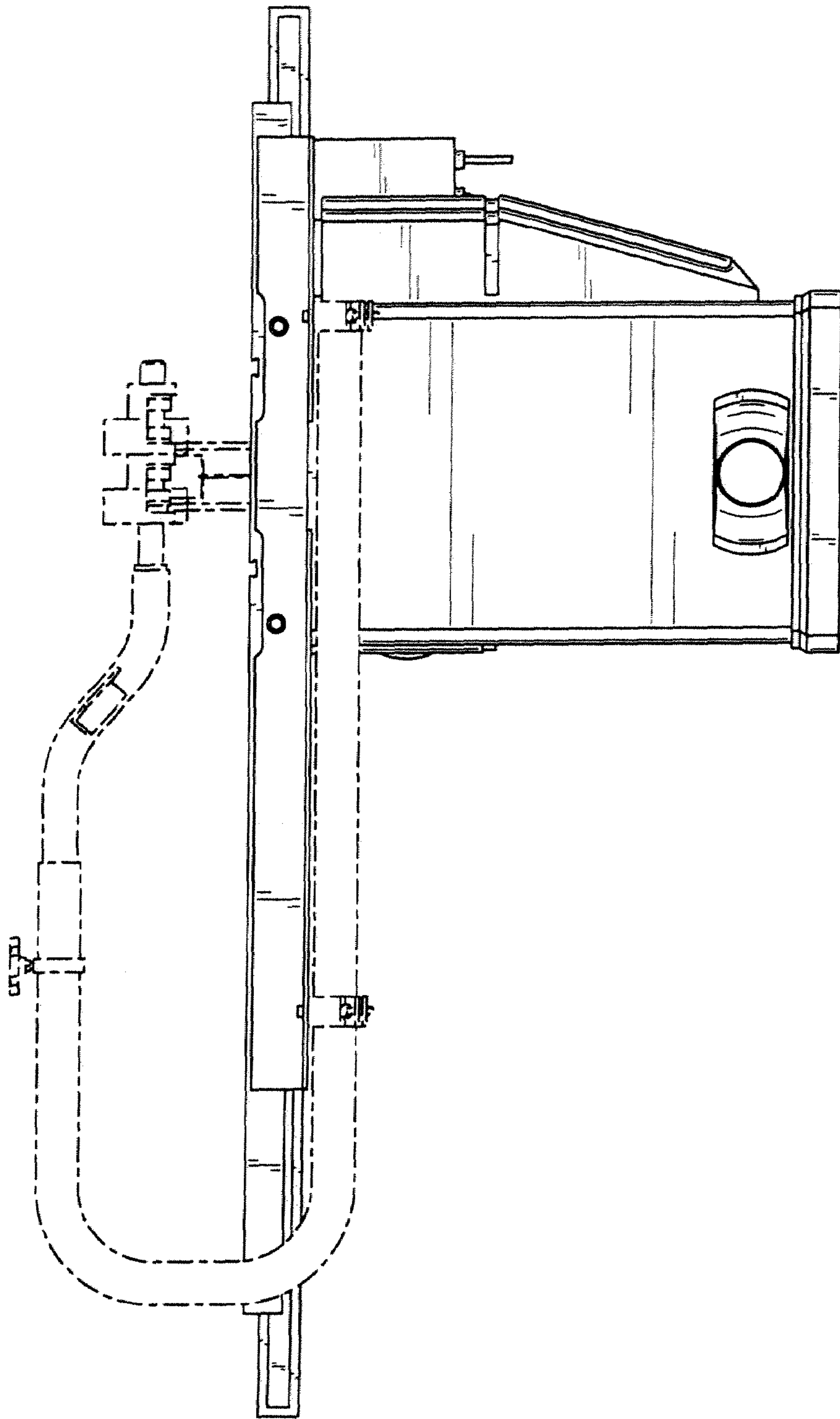


FIG. 3

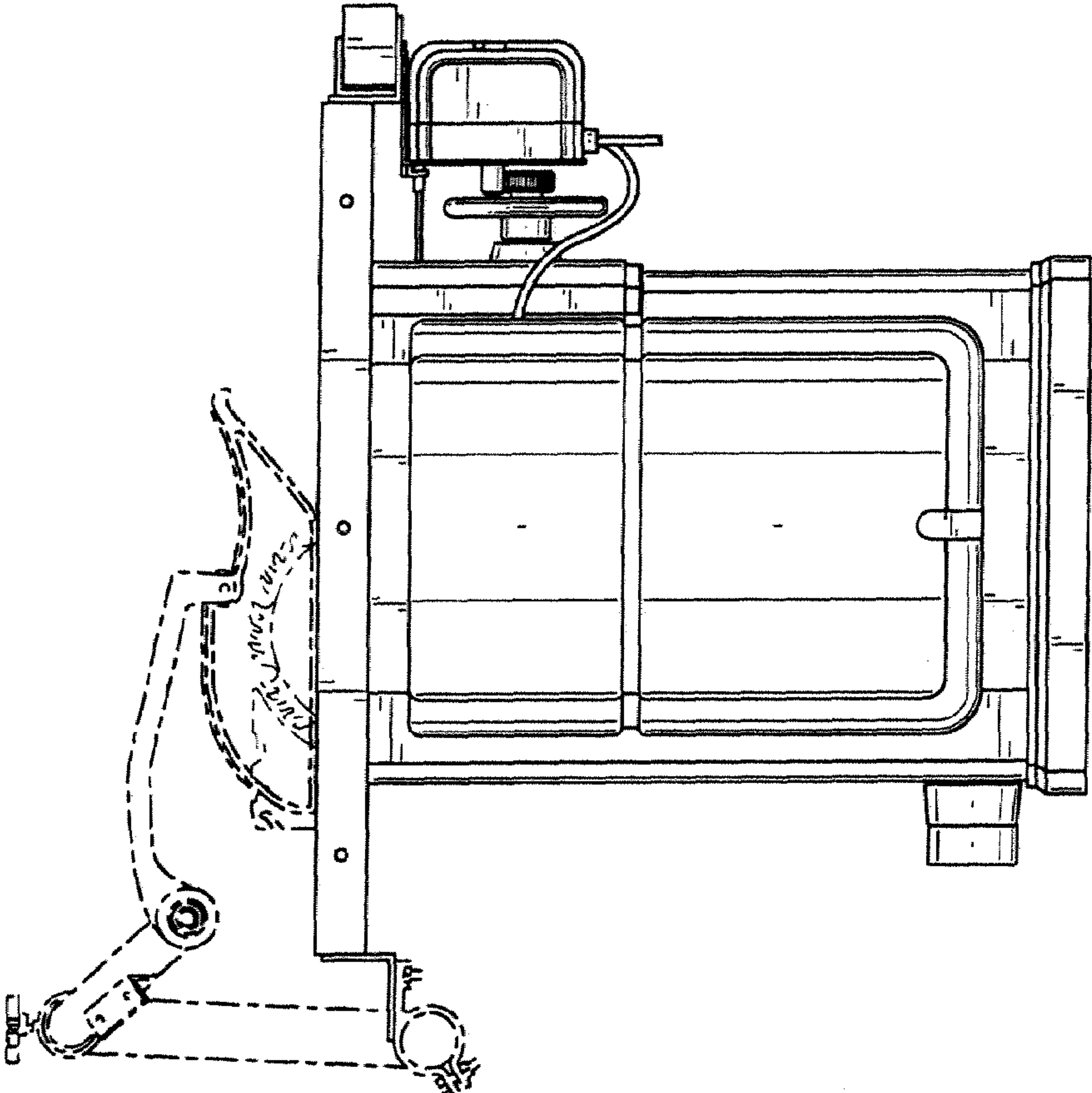


FIG. 4

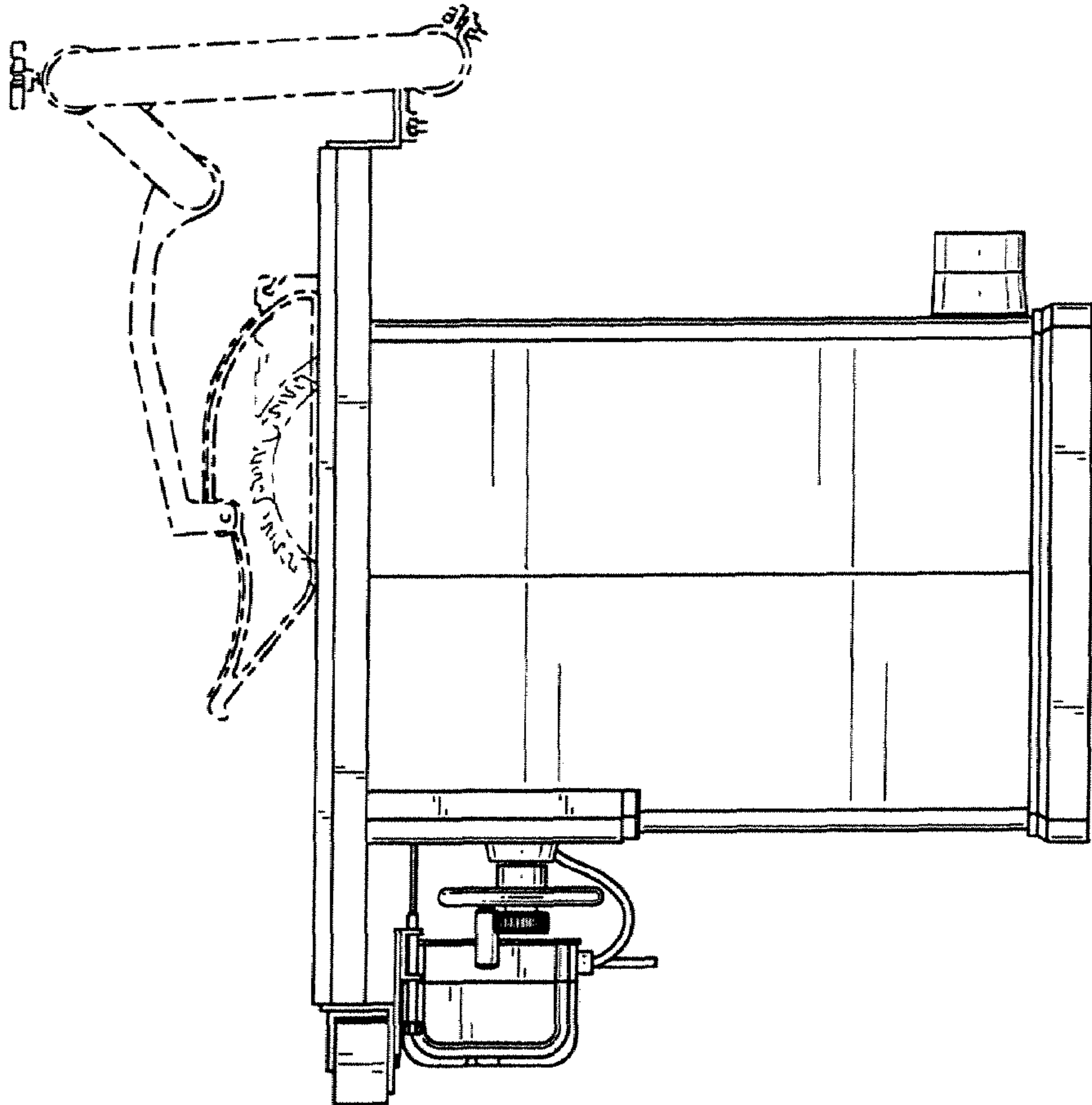


FIG. 5

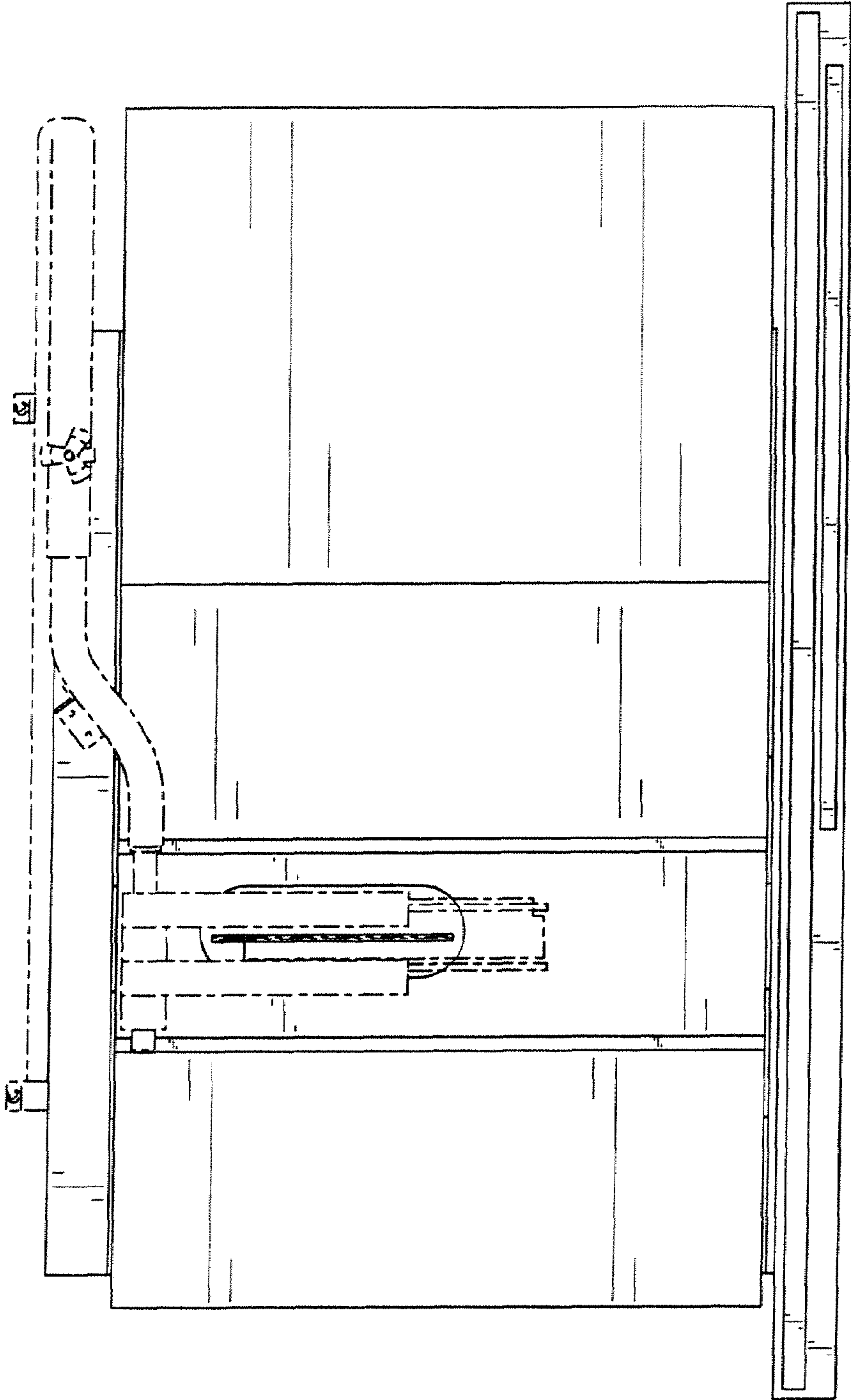


FIG. 6