



US00D594481S

(12) **United States Design Patent**  
**Inada**

(10) **Patent No.:** **US D594,481 S**  
(45) **Date of Patent:** **\*\* \*Jun. 16, 2009**

(54) **SEWING MACHINE**

(75) Inventor: **Toshiya Inada**, Nagoya (JP)

(73) Assignee: **Brother Industries, Ltd.**, Nagoya (JP)

(\*) Notice: This patent is subject to a terminal disclaimer.

(\*\*) Term: **14 Years**

(21) Appl. No.: **29/300,905**

(22) Filed: **May 28, 2008**

(30) **Foreign Application Priority Data**

Dec. 3, 2007 (JP) ..... 2007-033167

(51) **LOC (9) Cl.** ..... **15-06**

(52) **U.S. Cl.** ..... **D15/69**

(58) **Field of Classification Search** ..... D15/66-71,  
D15/77; D21/527; 112/2, 78, 154, 475.01  
See application file for complete search history.

(56) **References Cited**

**U.S. PATENT DOCUMENTS**

D403,333 S *	12/1998	Takada et al.	.....	D15/70
D450,720 S *	11/2001	Kuroki	.....	D15/69
D481,739 S *	11/2003	Iwai	.....	D15/69
D504,692 S *	5/2005	Kuroki	.....	D15/69
D515,110 S *	2/2006	Kuroki	.....	D15/70
D520,027 S *	5/2006	Kuroki	.....	D15/69
D523,876 S *	6/2006	Egami	.....	D15/69
D526,337 S *	8/2006	Kuroki	.....	D15/70
D568,908 S *	5/2008	Gustafsson	.....	D15/70
D569,394 S *	5/2008	Kawaguchi	.....	D15/70

**FOREIGN PATENT DOCUMENTS**

JP S-1115787 5/2001

\* cited by examiner

*Primary Examiner*—Stella M Reid  
*Assistant Examiner*—Shanda C Hill  
(74) *Attorney, Agent, or Firm*—Oliff & Berridge, PLC

(57) **CLAIM**

The ornamental design for a sewing machine, as shown and described.

**DESCRIPTION**

FIG. 1 is a perspective view of a first embodiment of a sewing machine showing my new design;

FIG. 2 is a front view thereof;

FIG. 3 is a top view thereof;

FIG. 4 is a left-side view thereof;

FIG. 5 is a right-side view thereof;

FIG. 6 is a rear view thereof;

FIG. 7 is a bottom view thereof;

FIG. 8 is a perspective of a second embodiment of the sewing machine;

FIG. 9 is a front view thereof;

FIG. 10 is top view thereof;

FIG. 11 is a left-side view thereof;

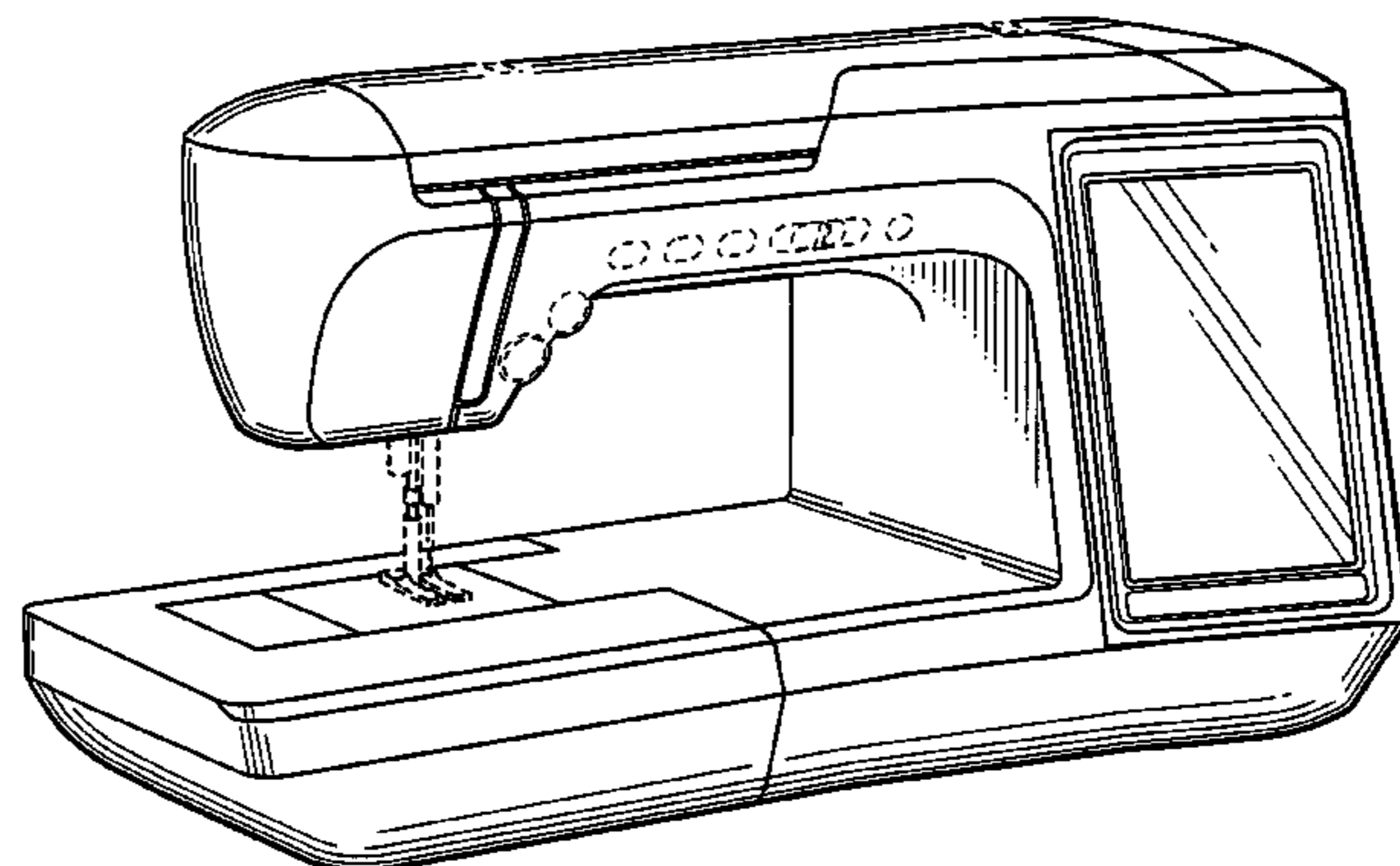
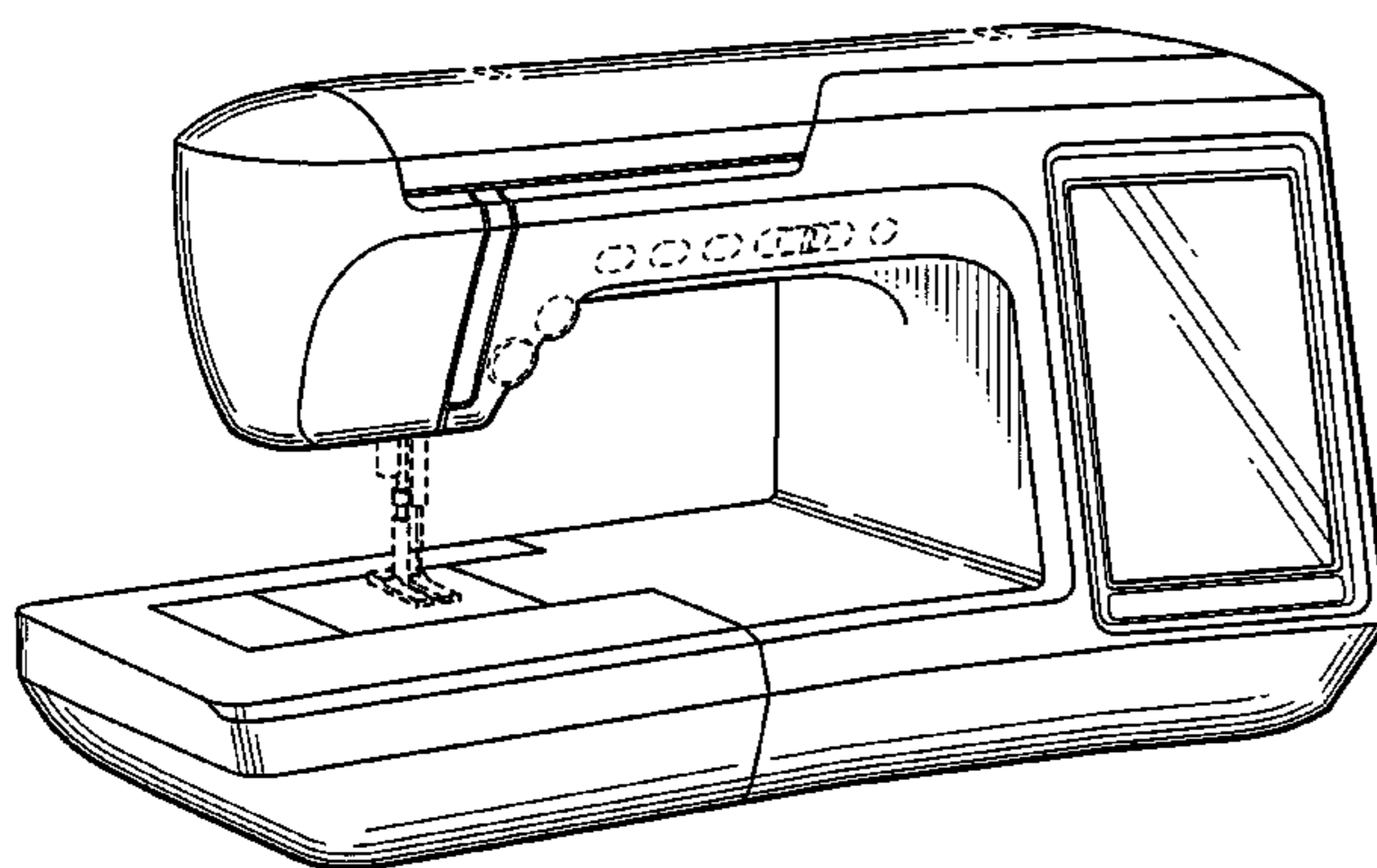
FIG. 12 is a right-side view thereof; and,

FIG. 13 is a rear view thereof.

The bottom view of the sewing machine of the second embodiment is identical to FIG. 7.

The broken lines shown in the drawing disclosure are for illustrative purposes only and form no part of the claimed design.

**1 Claim, 8 Drawing Sheets**



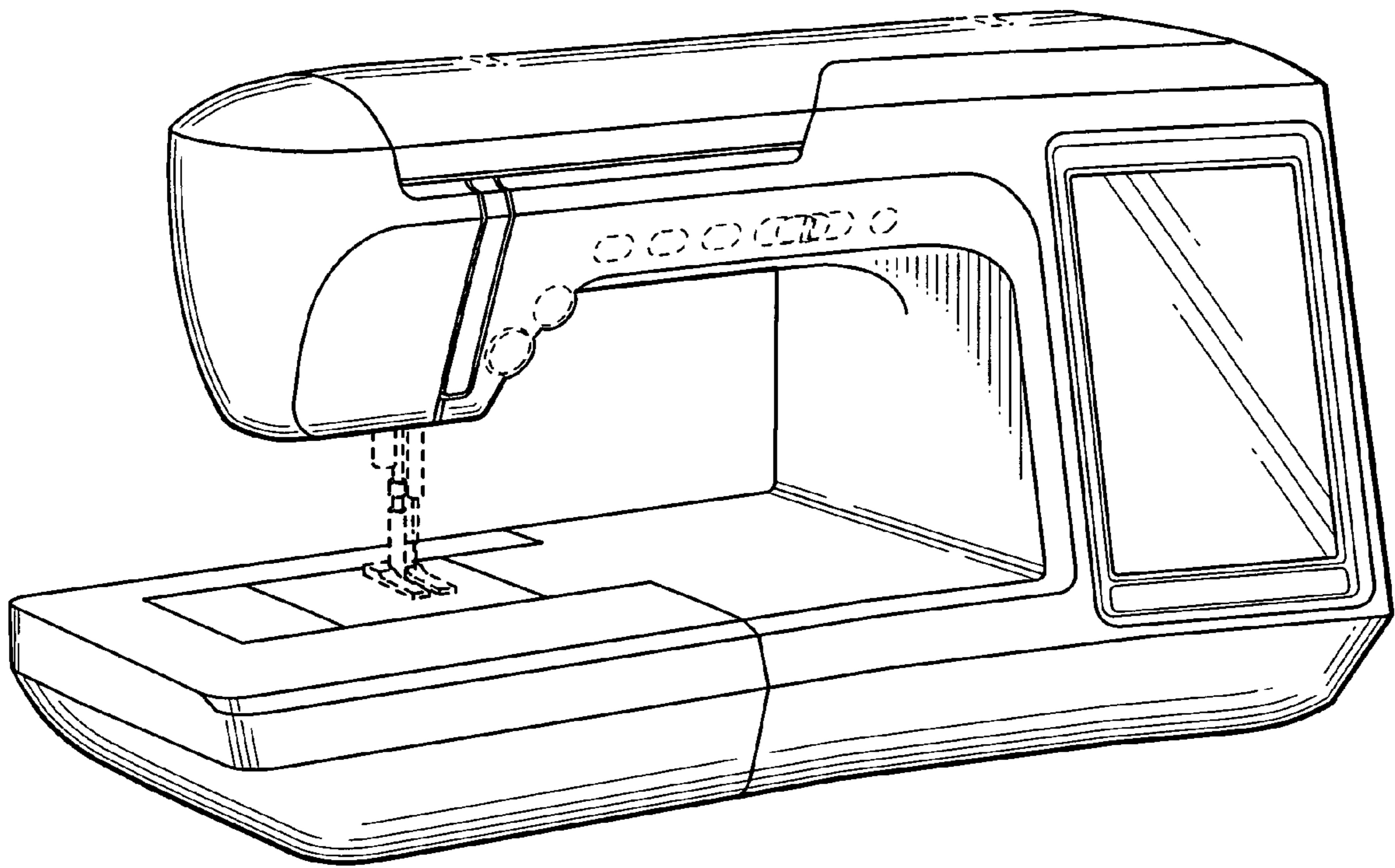


FIG. 1

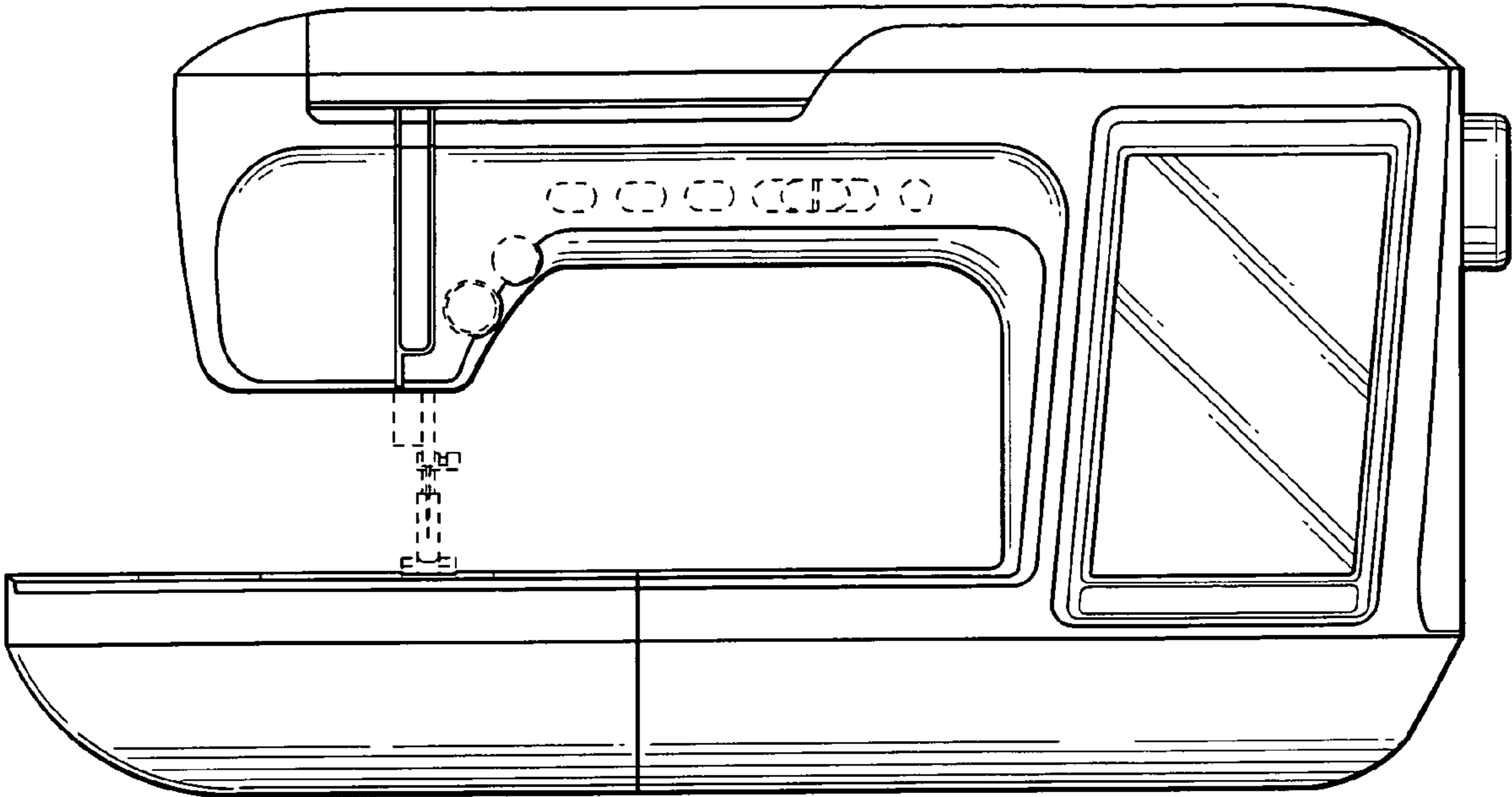


FIG. 2

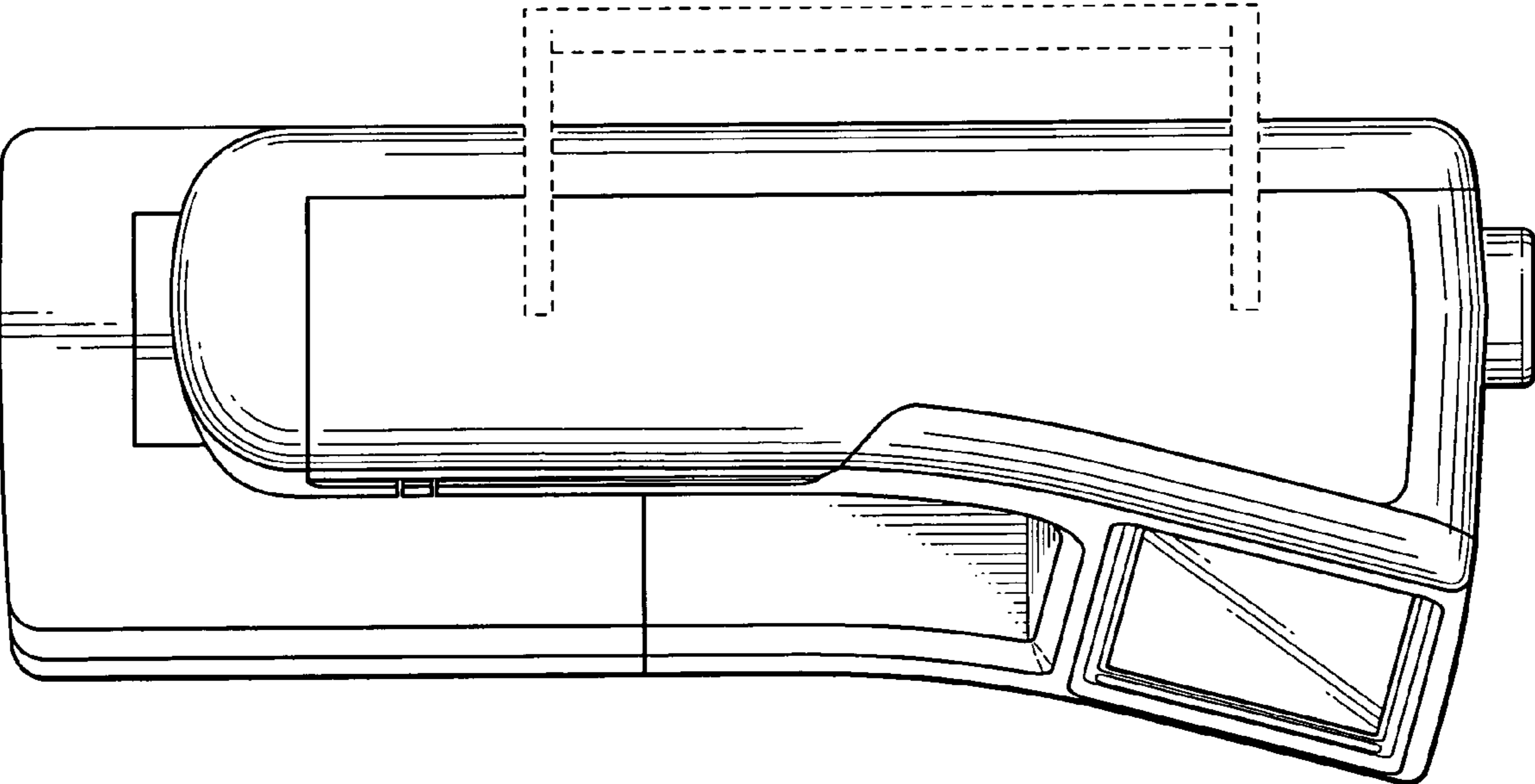


FIG. 3

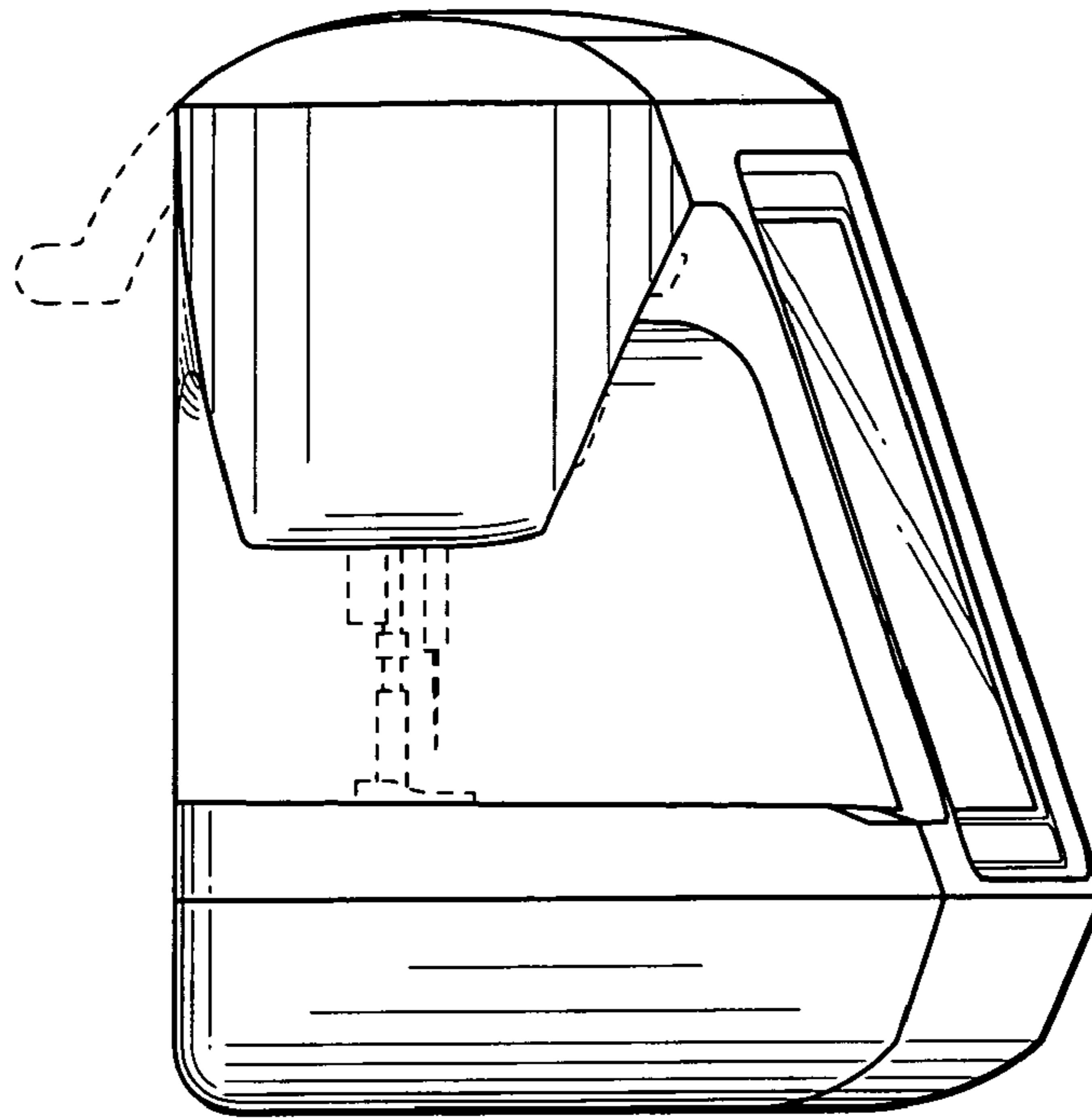


FIG. 4

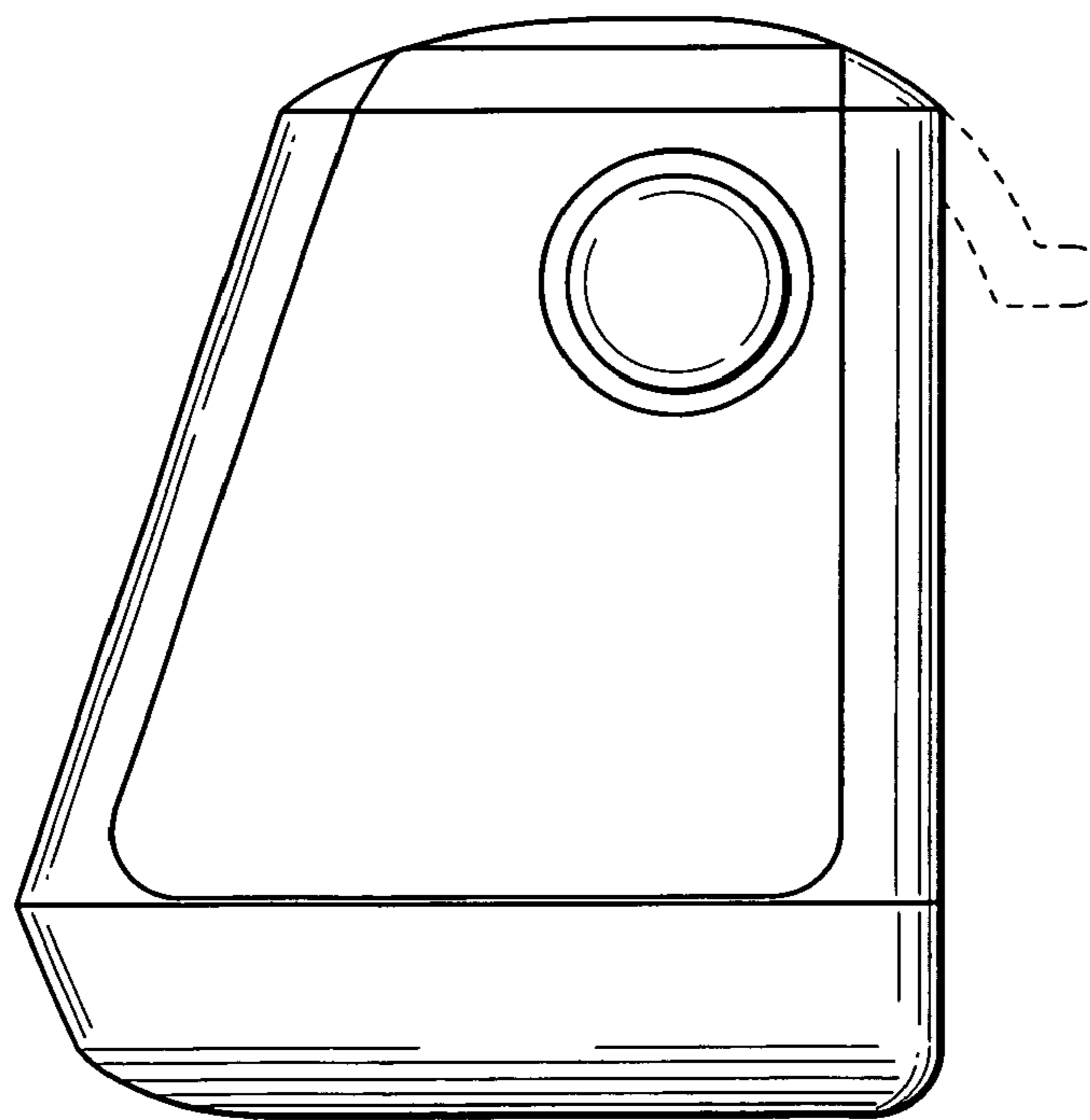


FIG. 5

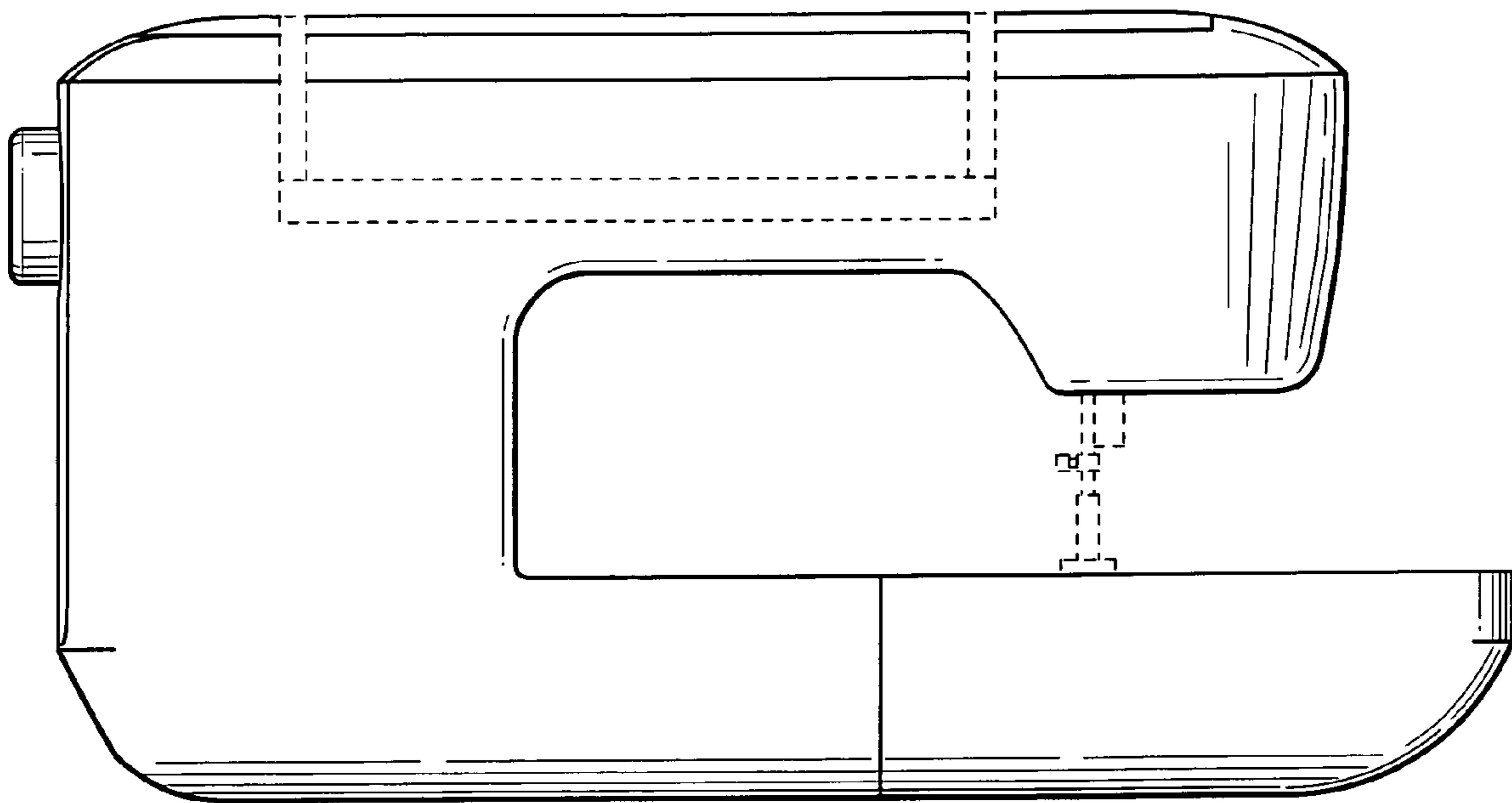


FIG. 6

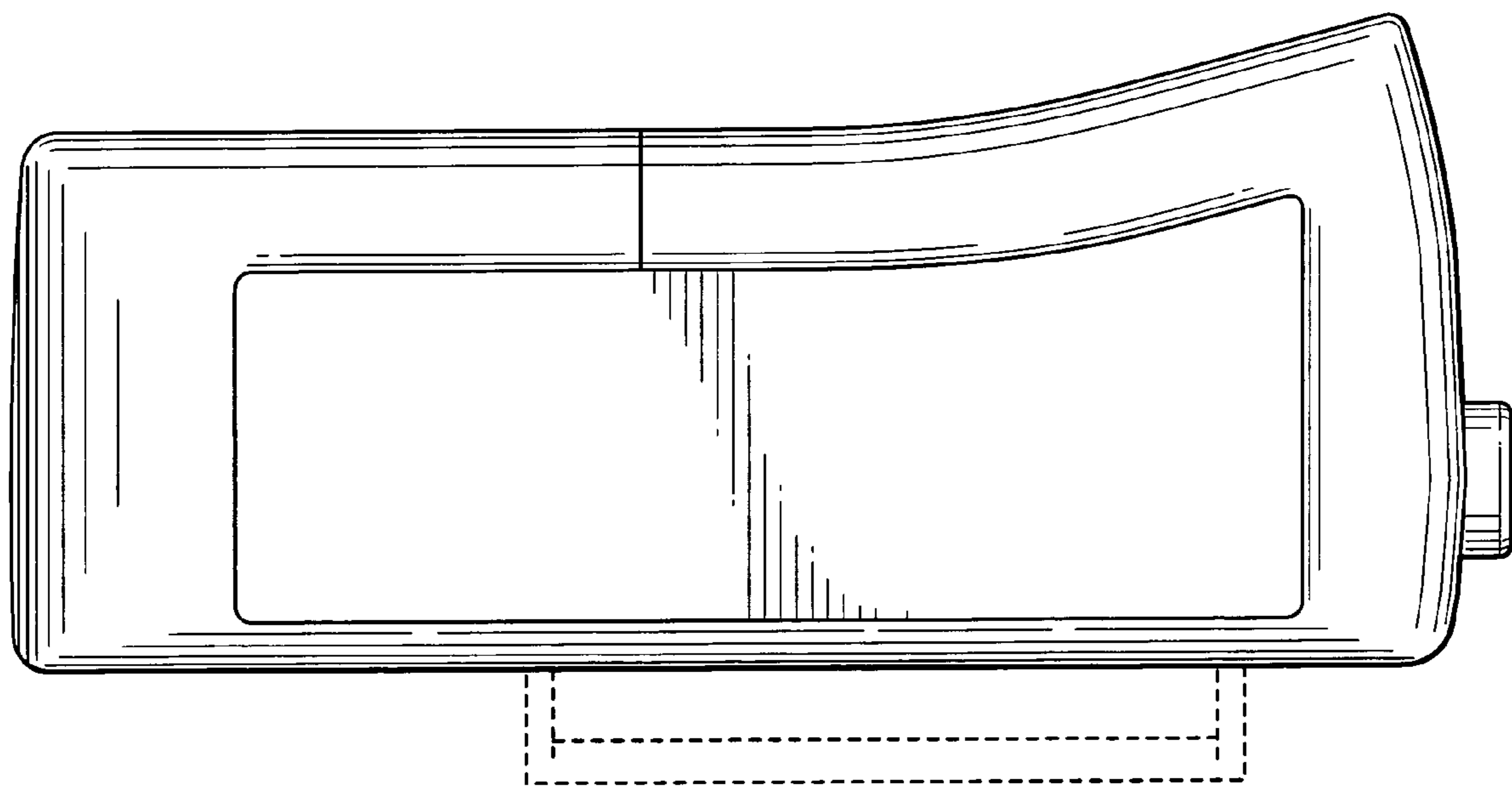


FIG. 7



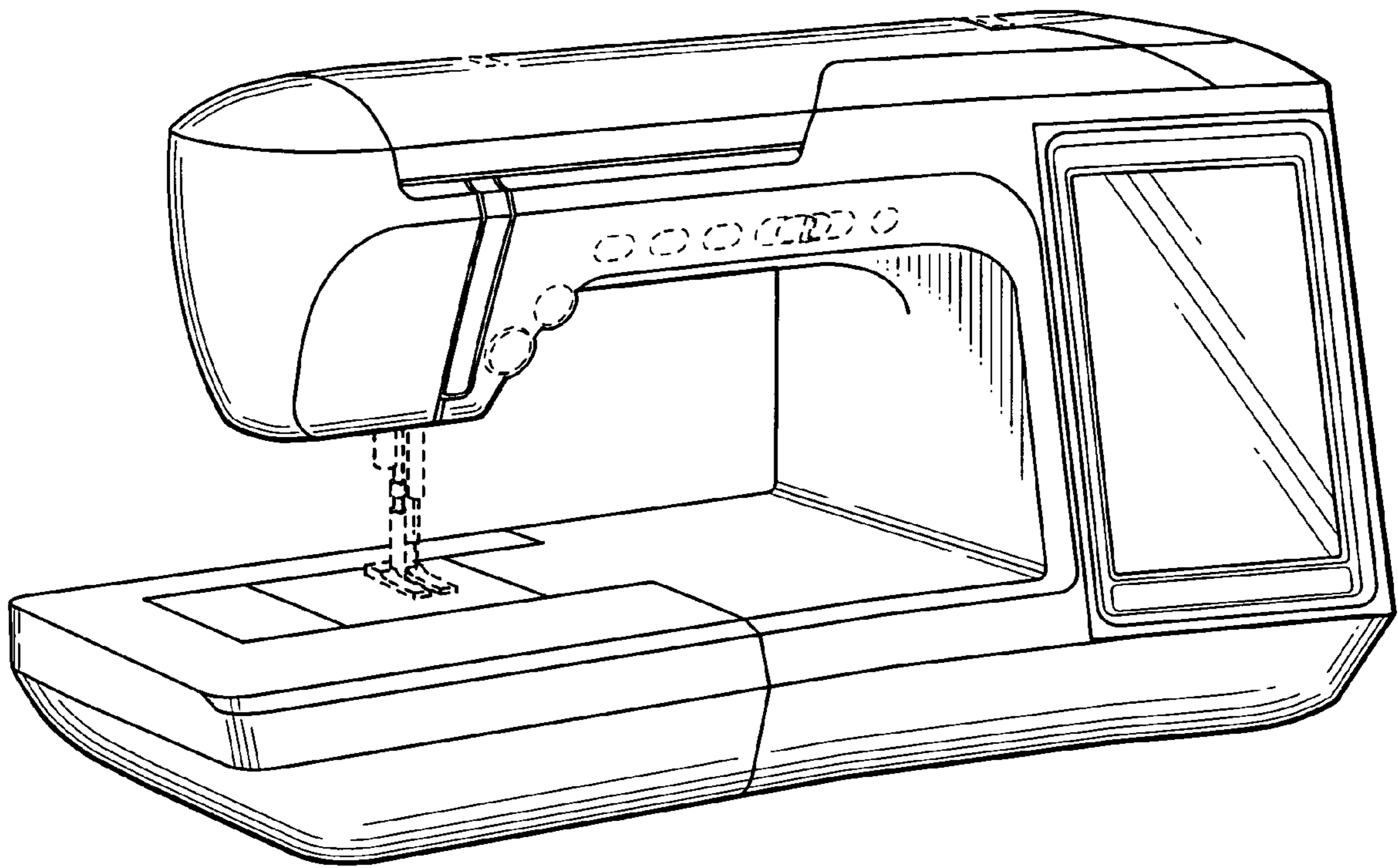


FIG. 8

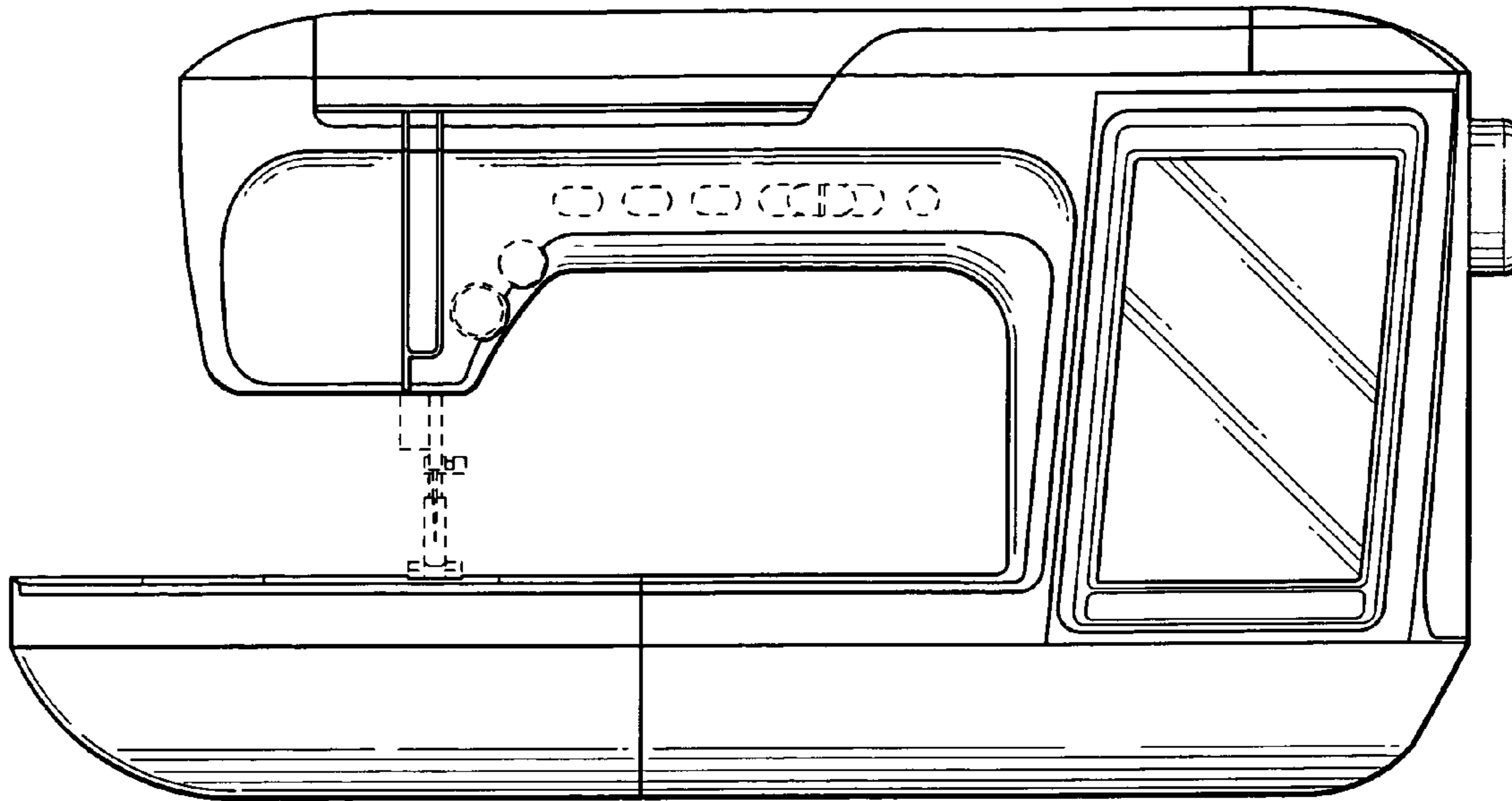


FIG. 9

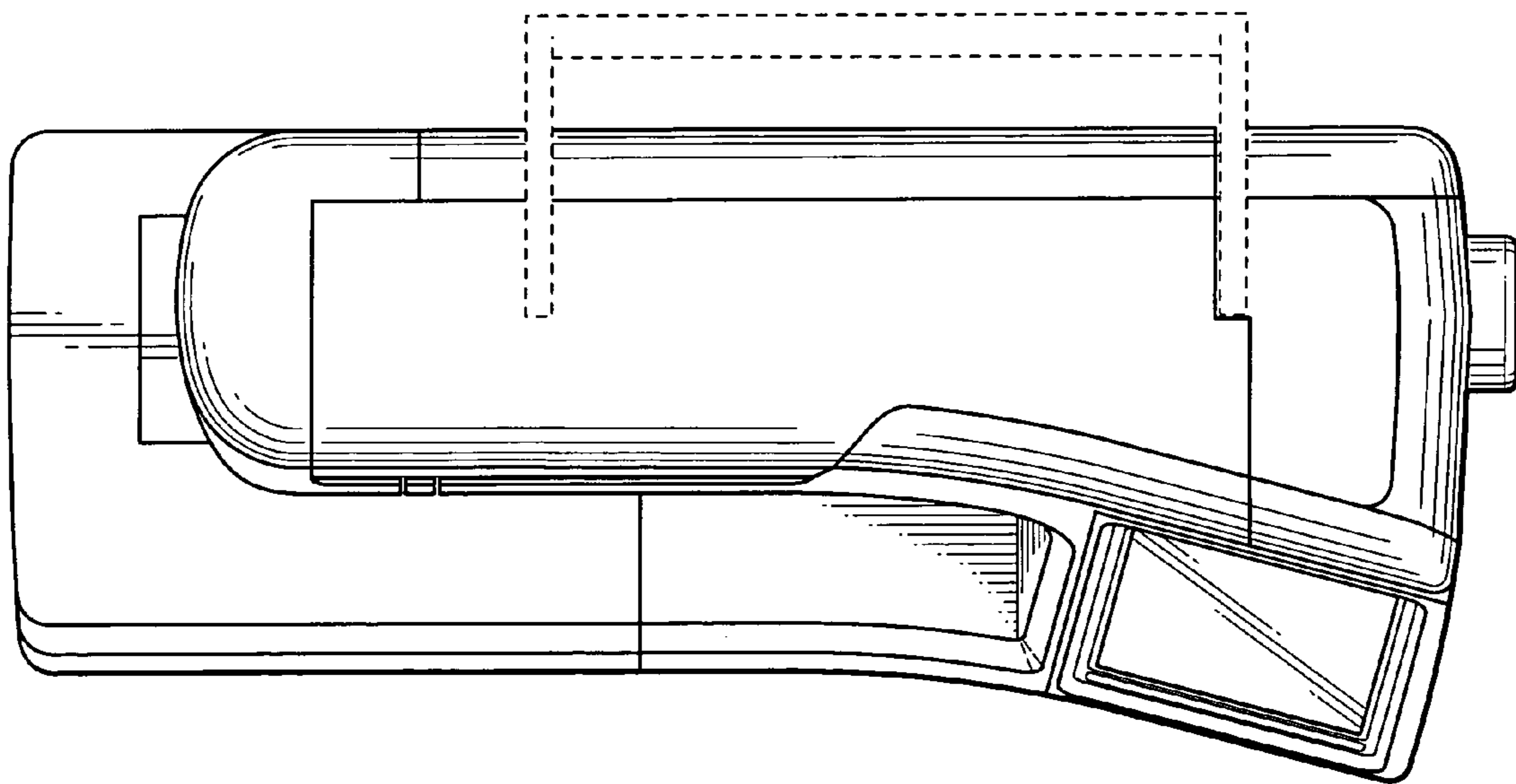


FIG. 10

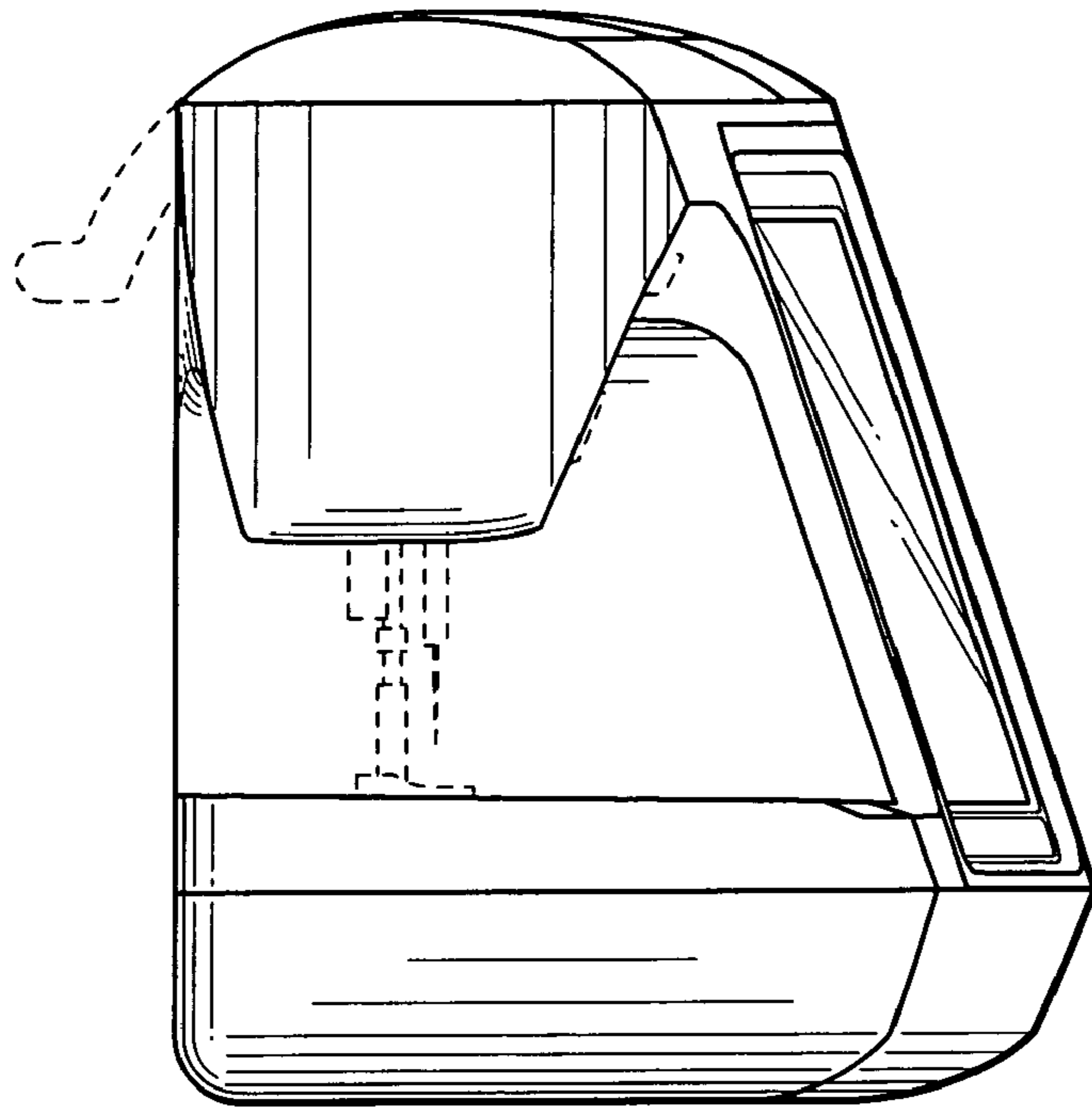


FIG. 11

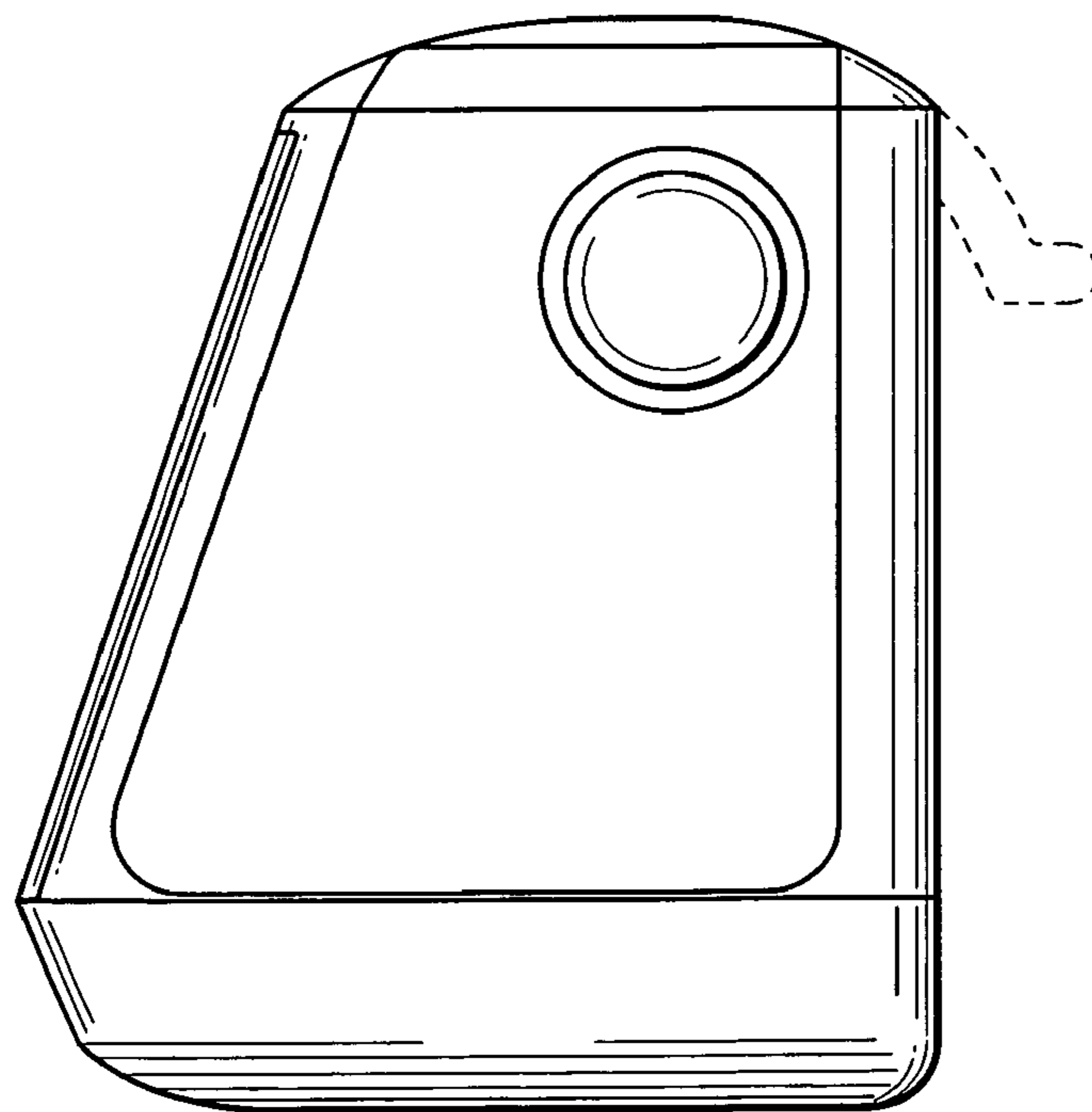


FIG. 12



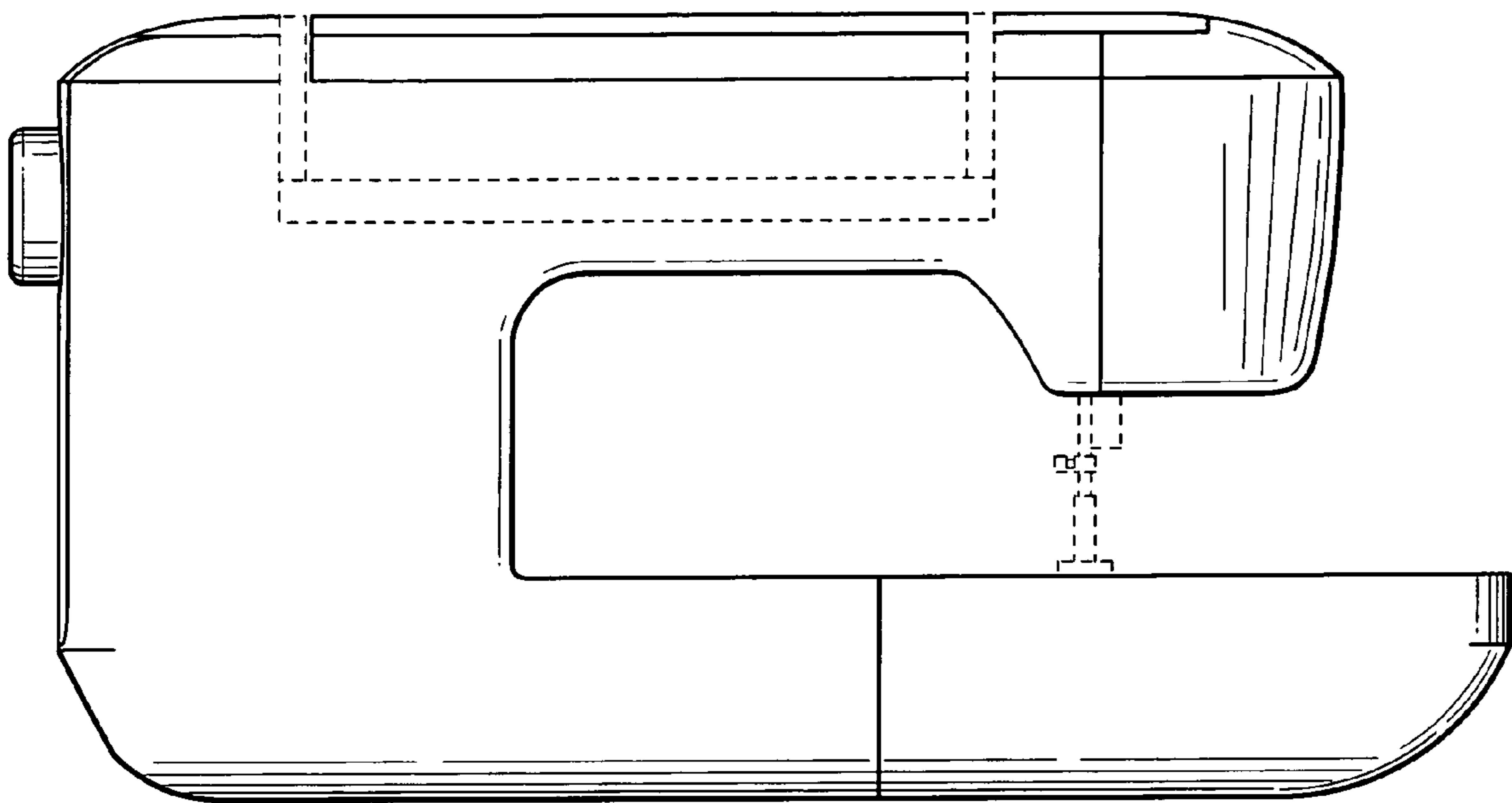


FIG. 13