



US00D594480S

(12) **United States Design Patent**  
**Gicquel et al.**

(10) **Patent No.:** **US D594,480 S**  
(45) **Date of Patent:** **\*\* Jun. 16, 2009**

(54) **TELEHANDLER CAB**

(75) Inventors: **Laurent Gicquel**, Coueron (FR);  
**Arnaud Guinee**, Rieux (FR)

(73) Assignee: **Clark Equipment Company**, West  
Fargo, ND (US)

(\*\*) Term: **14 Years**

(21) Appl. No.: **29/325,369**

(22) Filed: **Sep. 30, 2008**

(51) **LOC (9) Cl.** ..... **15-03**

(52) **U.S. Cl.** ..... **D15/30**

(58) **Field of Classification Search** ..... D15/10,  
D15/15, 22-26, 28, 30; D12/96; D34/37;  
180/89.1, 89.12, 89.13, 311, 900; 296/190.01,  
296/190.03, 181.1; 414/680, 685, 687, 688,  
414/694

See application file for complete search history.

(56) **References Cited**

U.S. PATENT DOCUMENTS

- D208,402 S \* 8/1967 Hofmann ..... D15/30
- 3,341,247 A 9/1967 Martinmass
- D210,658 S \* 4/1968 Lazzeroni ..... D15/30
- 3,606,047 A 9/1971 Schaeff
- 3,802,530 A 4/1974 Purcell et al. .... 180/89 R
- D248,475 S \* 7/1978 Parks et al. .... D15/30
- D258,823 S 4/1981 Skyer et al. .... D15/30
- 5,096,253 A \* 3/1992 Jo et al. .... 296/190.1
- D384,358 S 9/1997 Smith ..... D15/30
- 5,911,624 A 6/1999 Stauffer ..... 454/158
- D439,586 S 3/2001 Moehle et al. .... D15/33
- D455,763 S \* 4/2002 Brandenburg et al. .... D15/30
- 6,409,254 B2 6/2002 Tiziano ..... 296/190.08
- D460,085 S 7/2002 Crookes et al. .... D15/25
- D461,831 S 8/2002 Laberheim et al. .... D15/25
- D463,462 S \* 9/2002 Yanagida et al. .... D15/30
- D463,807 S 10/2002 Tamaru et al. .... D15/30
- D471,213 S \* 3/2003 Kwak et al. .... D15/30
- 6,543,840 B2 4/2003 Colliar et al. .... 296/190.08
- D481,044 S \* 10/2003 Tokach et al. .... D15/30
- D494,986 S \* 8/2004 Tokach et al. .... D15/30

- D497,920 S \* 11/2004 Antonetti ..... D15/30
- 7,001,135 B2 2/2006 Shimokakiuchi et al. .... 414/687
- D523,029 S \* 6/2006 Crawford et al. .... D15/30
- D523,875 S \* 6/2006 Kim ..... D15/30
- D528,134 S 9/2006 Vandendriessche et al. .. D15/30
- D541,825 S \* 5/2007 Pettersson ..... D15/30
- D541,826 S \* 5/2007 Brush et al. .... D15/30
- 7,246,846 B2 7/2007 Shioji et al. .... 296/190.11
- D548,753 S \* 8/2007 Kim ..... D15/30
- D549,245 S \* 8/2007 Antonetti et al. .... D15/30
- D555,677 S \* 11/2007 Kuwae et al. .... D15/30
- 7,290,829 B2 11/2007 Umemoto et al. .... 296/190.08
- D577,040 S \* 9/2008 Kim ..... D15/30
- D579,028 S \* 10/2008 VanDeVeer et al. .... D15/30

\* cited by examiner

*Primary Examiner*—Stella M Reid

*Assistant Examiner*—Mark A Goodwin

(74) *Attorney, Agent, or Firm*—Westman, Champlin & Kelly,  
P.A.

(57) **CLAIM**

The ornamental design for a telehandler cab, as shown and described.

**DESCRIPTION**

FIG. 1 is an elevated perspective view as seen from the left front of the of a telehandler cab having the ornamental features of an embodiment of the design.

FIG. 2 is an elevated perspective view as seen from the right rear of the of the telehandler cab.

FIG. 3 is a left side elevation view of the telehandler cab.

FIG. 4 is a right side elevation view of the telehandler cab.

FIG. 5 is a front elevation view of the telehandler cab.

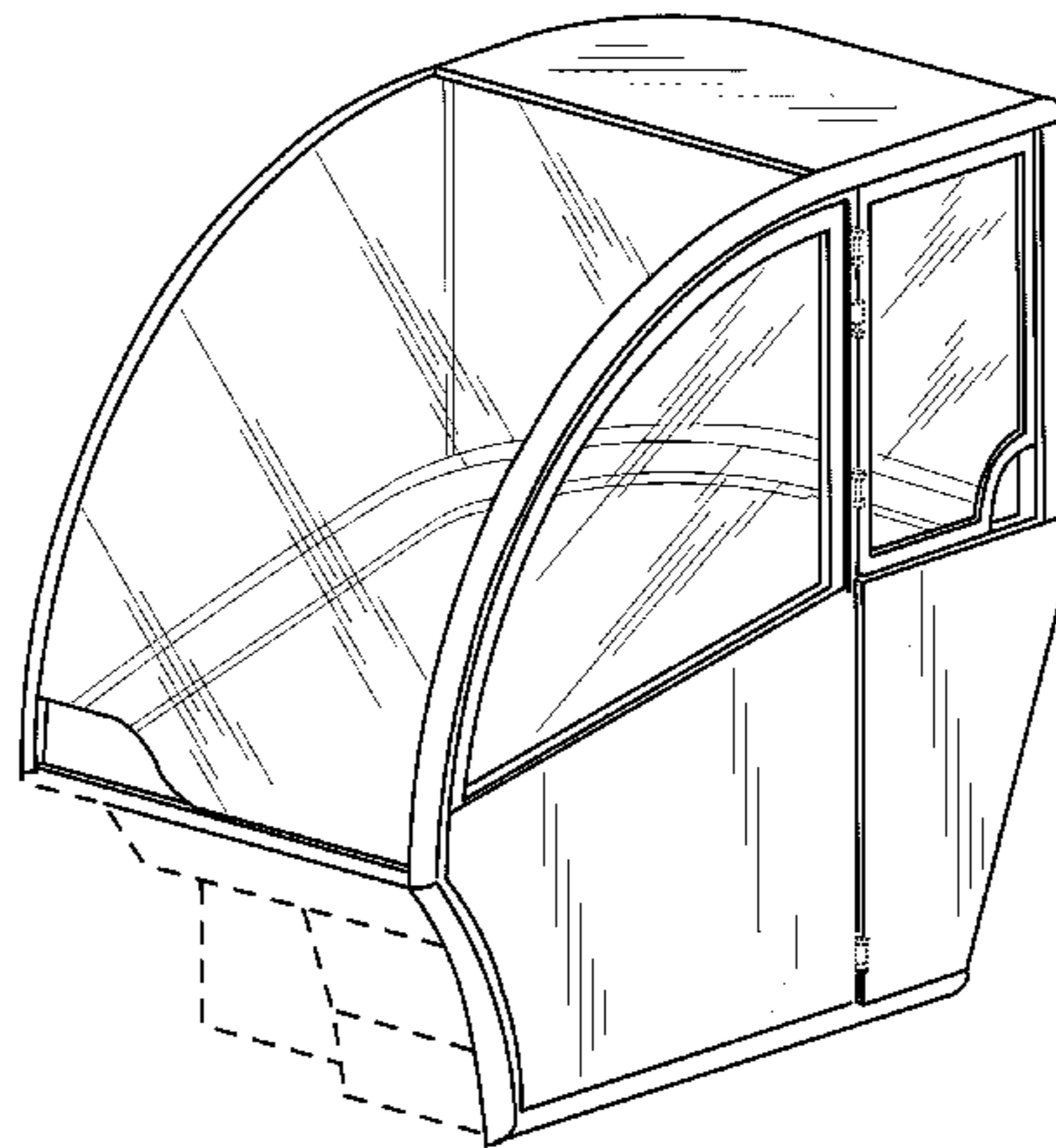
FIG. 6 is a rear elevation view of the telehandler cab; and,

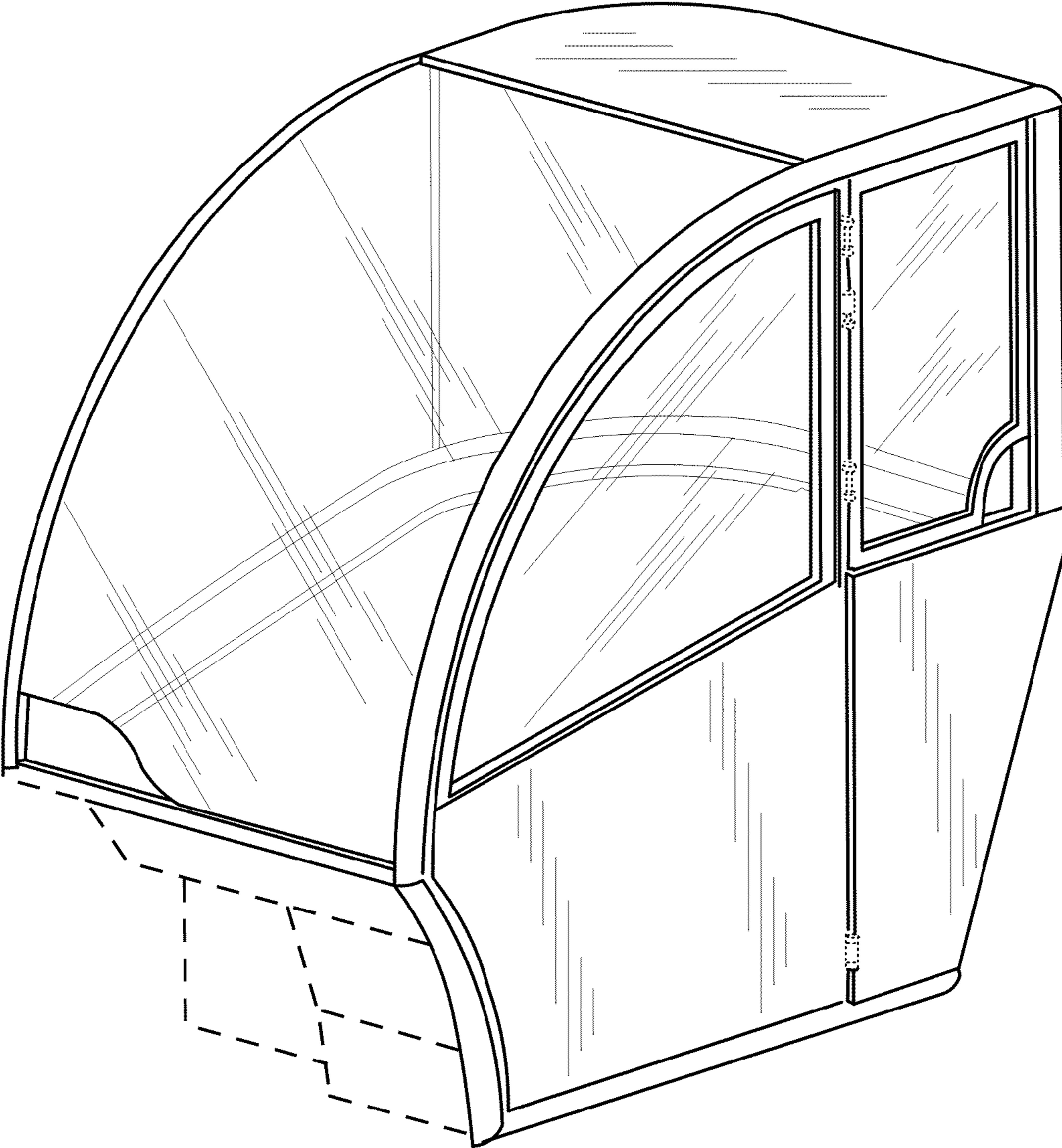
FIG. 7 is a top plan view of the telehandler cab.

The bottom view is plain, unornamented and forms no part of the claimed design.

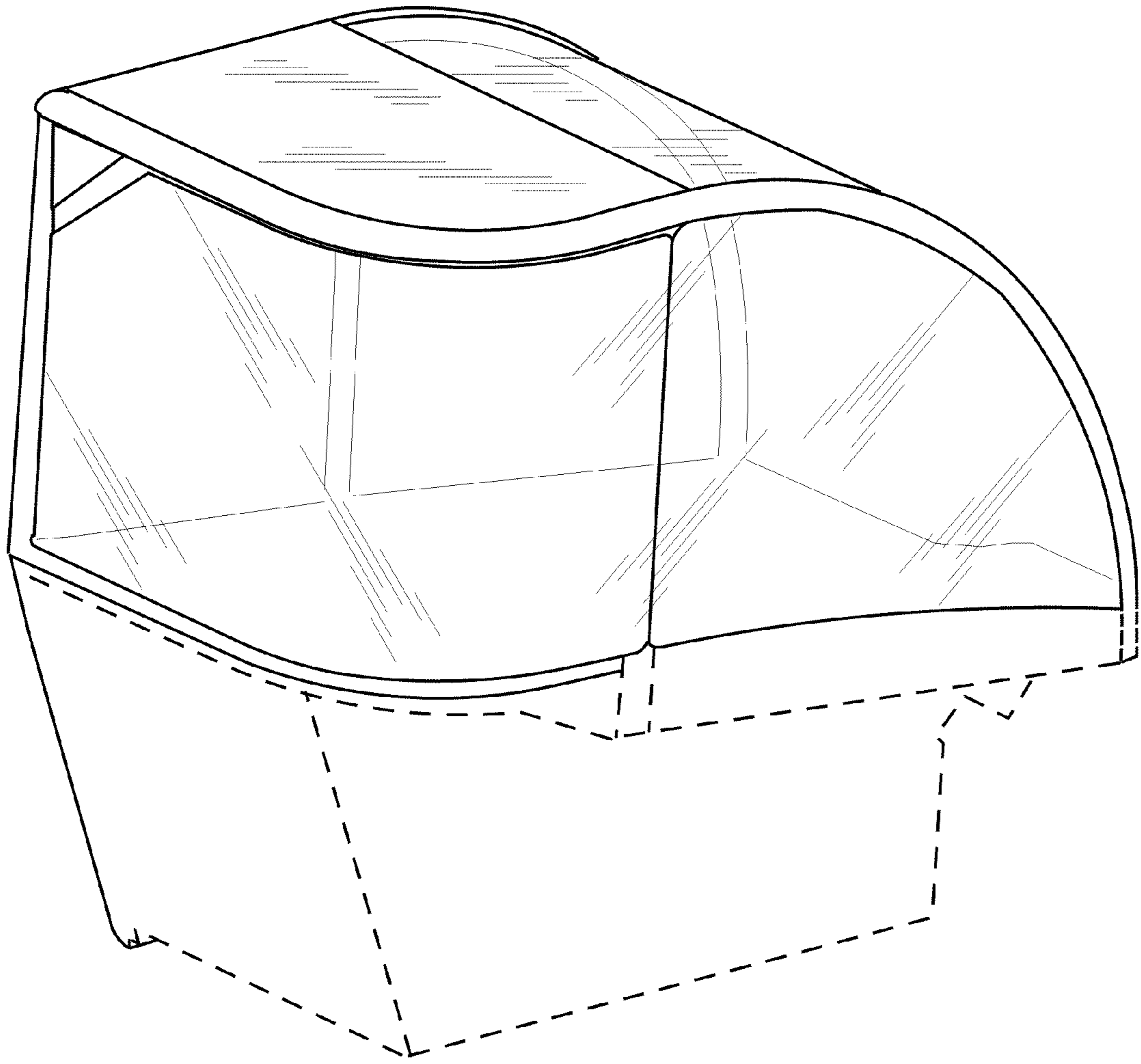
Broken lines in FIGS. 1-7 illustrate portions of the telehandler cab that are not considered part of the claimed design.

**1 Claim, 7 Drawing Sheets**

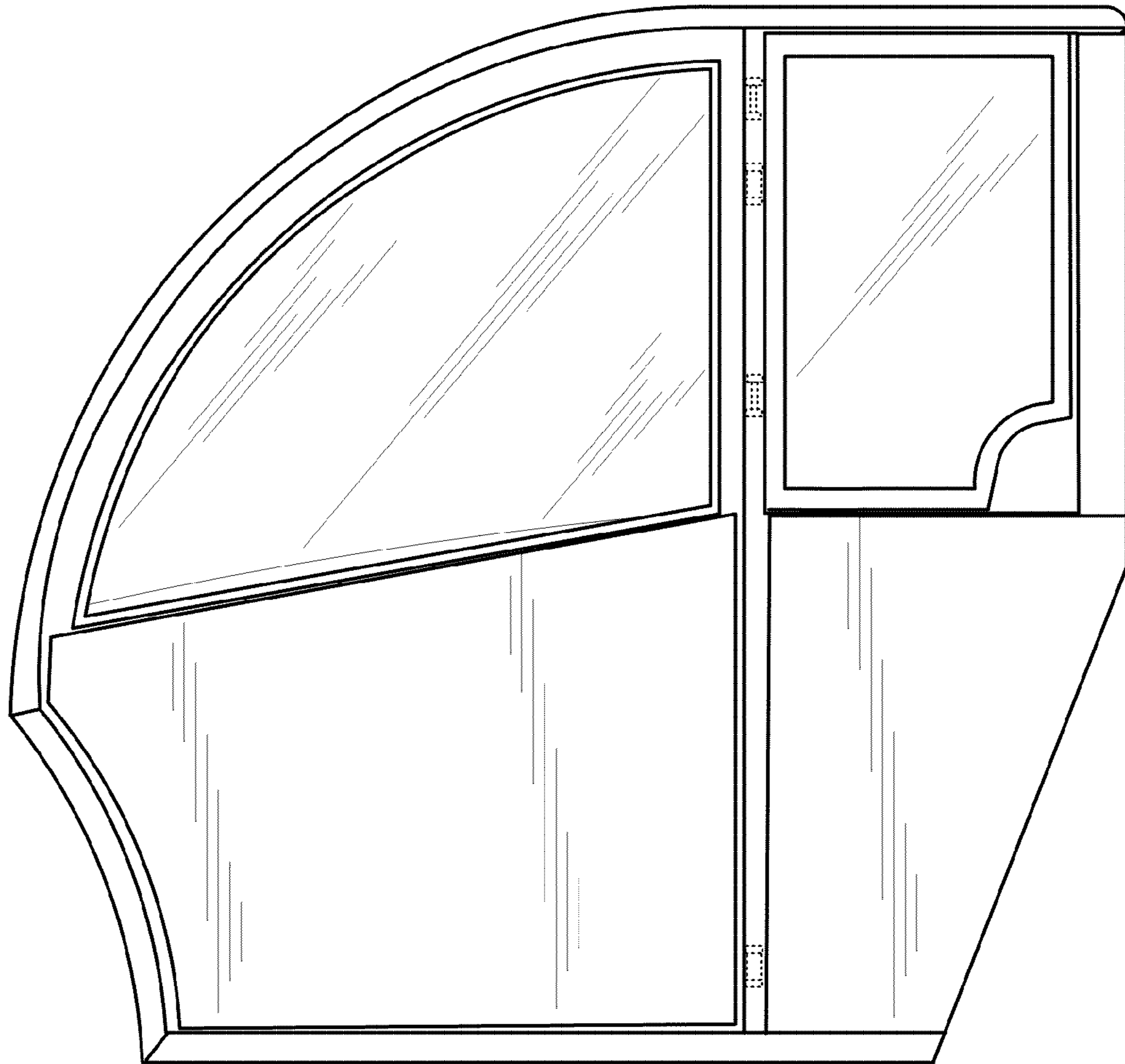




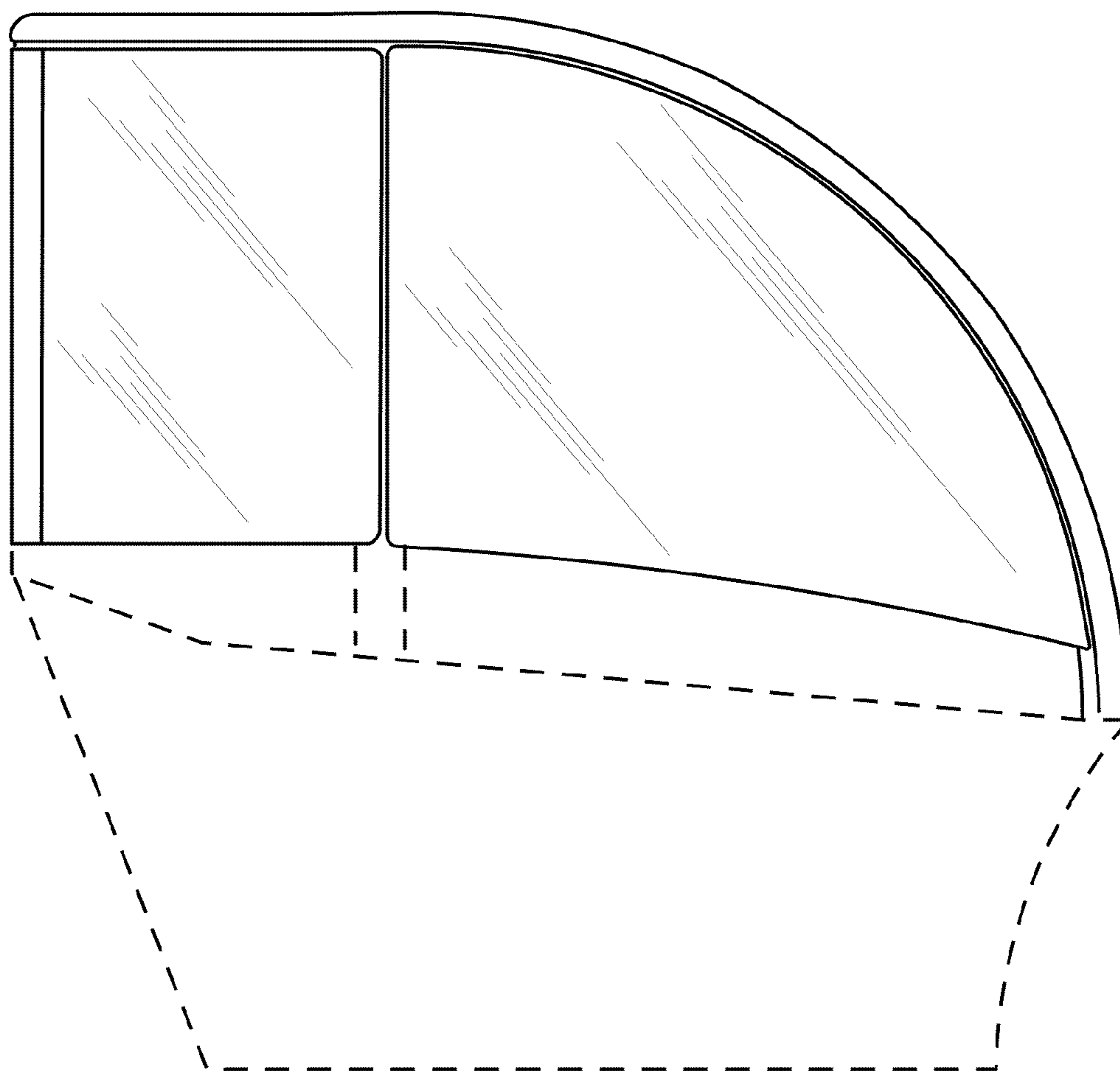
*FIG. 1*



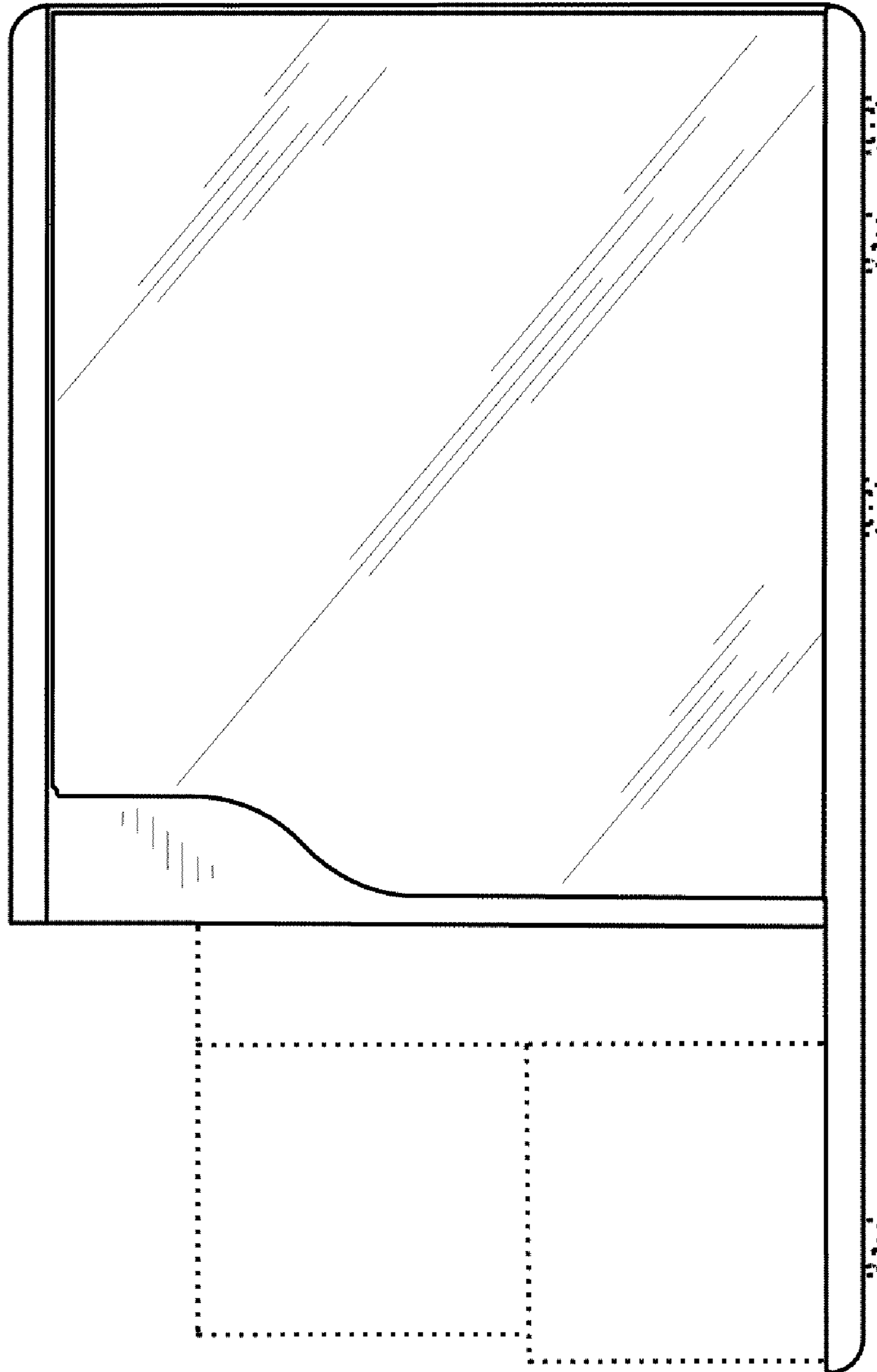
*FIG. 2*



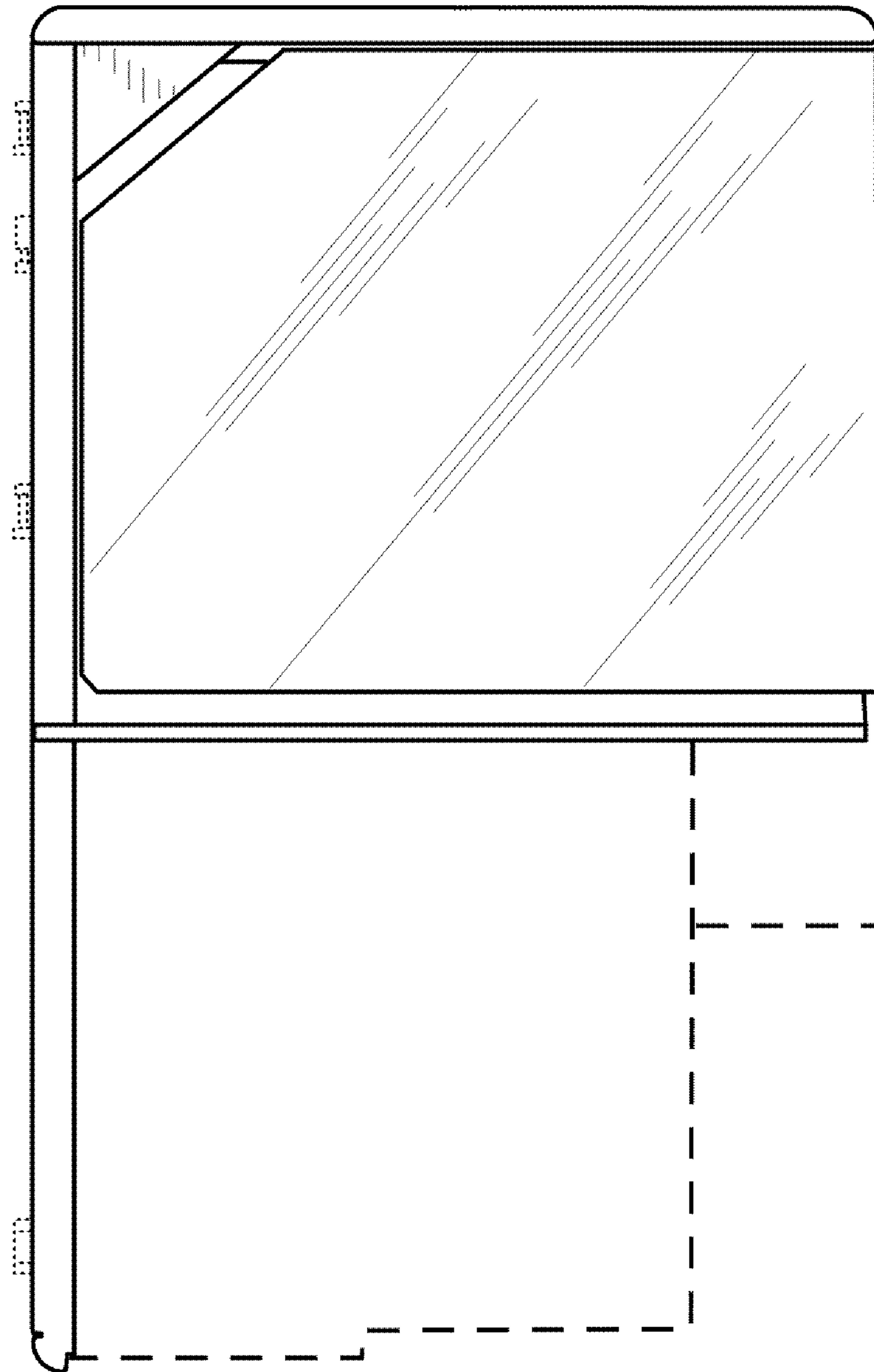
*FIG. 3*



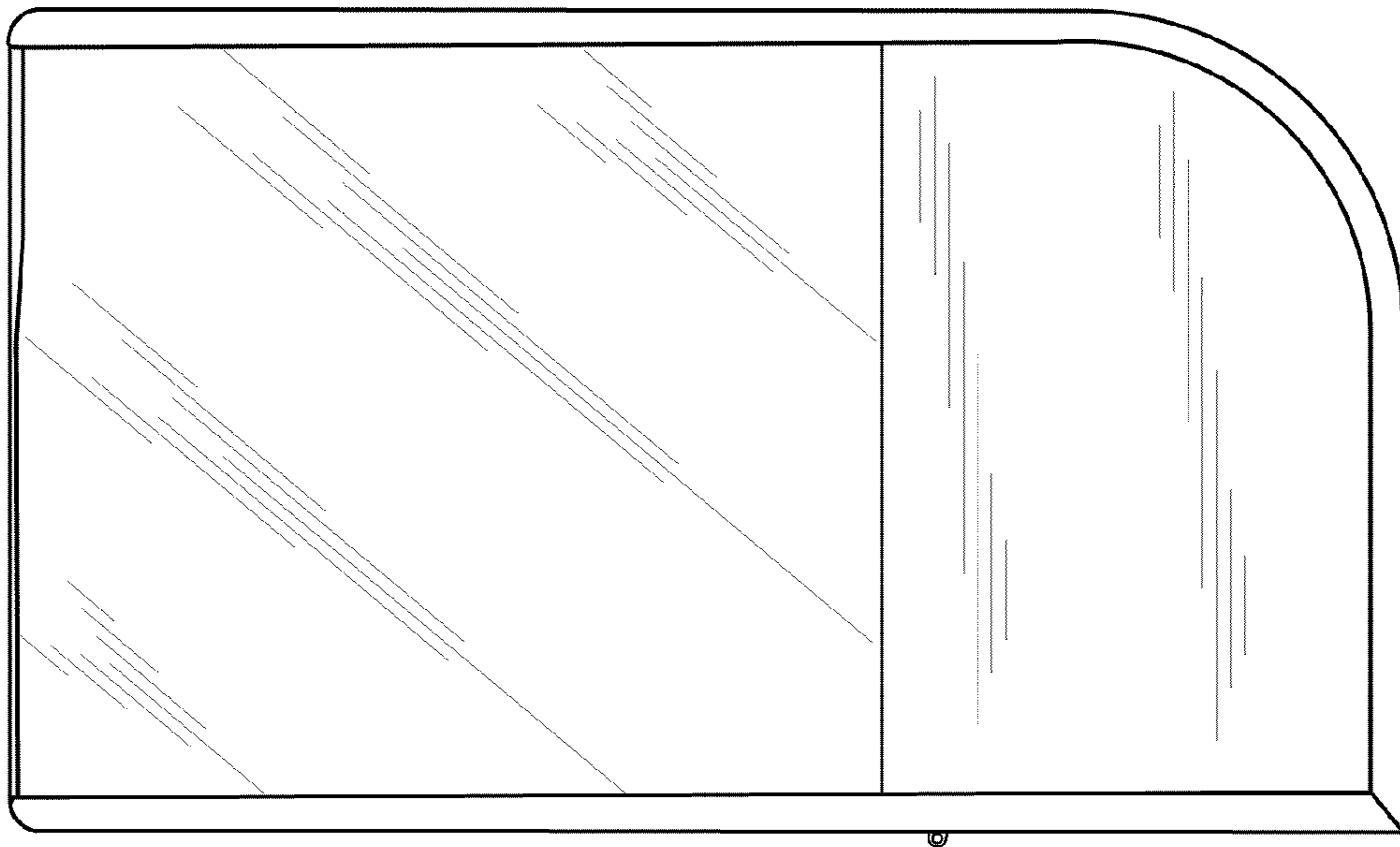
*FIG. 4*



*FIG. 5*



*FIG. 6*



*FIG. 7*