



US00D594479S

(12) **United States Design Patent**  
**Greuel et al.**

(10) **Patent No.:** **US D594,479 S**  
(45) **Date of Patent:** **\*\* Jun. 16, 2009**

(54) **LIFT ARM FOR A MOTOR GRADER**

(75) Inventors: **Andrew G. Greuel**, Mt. Zion, IL (US);  
**Nikhil Sharma**, Decatur, IL (US);  
**Satish Hulyar**, Decatur, IL (US)

(73) Assignee: **Caterpillar Inc.**, Peoria, IL (US)

(\*\*) Term: **14 Years**

(21) Appl. No.: **29/322,267**

(22) Filed: **Jul. 31, 2008**

(51) **LOC (9) Cl.** ..... **15-03**

(52) **U.S. Cl.** ..... **D15/28**

(58) **Field of Classification Search** ..... D15/11,  
D15/17, 21-29, 32; 172/780, 781, 776, 663,  
172/789, 787, 666

See application file for complete search history.

(56) **References Cited**

**U.S. PATENT DOCUMENTS**

3,986,563	A *	10/1976	Stubben	.....	172/793
4,132,290	A *	1/1979	Dezelan et al.	.....	188/69
4,279,312	A *	7/1981	Pyle	.....	172/789
4,340,119	A *	7/1982	MacDonald	.....	172/789
4,364,438	A *	12/1982	Pyle	.....	172/789
D275,107	S *	8/1984	Crabiel et al.	.....	D15/25
4,696,350	A *	9/1987	Ruhter et al.	.....	172/793
4,807,461	A *	2/1989	Brimeyer et al.	.....	172/793
5,495,898	A *	3/1996	McGugan	.....	172/780
D440,985	S *	4/2001	Noonan et al.	.....	D15/28
6,230,818	B1 *	5/2001	Slunder	.....	172/789
6,249,992	B1 *	6/2001	Irving et al.	.....	37/281
2008/0185162	A1 *	8/2008	Maeda	.....	172/781

**OTHER PUBLICATIONS**

Product Brochure, 140M Motor Grader, Caterpillar Inc., available at <http://www.cat.com/cmms/images/C305406.pdf>.

Product Brochure, 160M Motor Grader, Caterpillar Inc., available at <http://www.cat.com/cmms/images/C374342.pdf>.

\* cited by examiner

*Primary Examiner*—Stella M Reid

*Assistant Examiner*—Mark A Goodwin

(74) *Attorney, Agent, or Firm*—Michael D. Braunstein

(57) **CLAIM**

The ornamental design for a lift arm for a motor grader, as shown and described.

**DESCRIPTION**

FIG. 1 is a right side view of a lift arm for a motor grader showing our new design in use condition;

FIG. 2 is a right front perspective view thereof, shown in use condition;

FIG. 3 is a rear view thereof, shown in use condition, and in cross-section along line 3—3 of FIG. 1;

FIG. 4 is an enlarged front perspective view thereof;

FIG. 5 is an enlarged rear perspective view thereof;

FIG. 6 is an enlarged top view thereof;

FIG. 7 is an enlarged left side view thereof;

FIG. 8 is an enlarged front view thereof; and,

FIG. 9 is an enlarged right side view thereof.

The broken lines showing portions of a motor grader are included for the purpose of illustrating environmental structure and form no part of the claimed design.

**1 Claim, 9 Drawing Sheets**

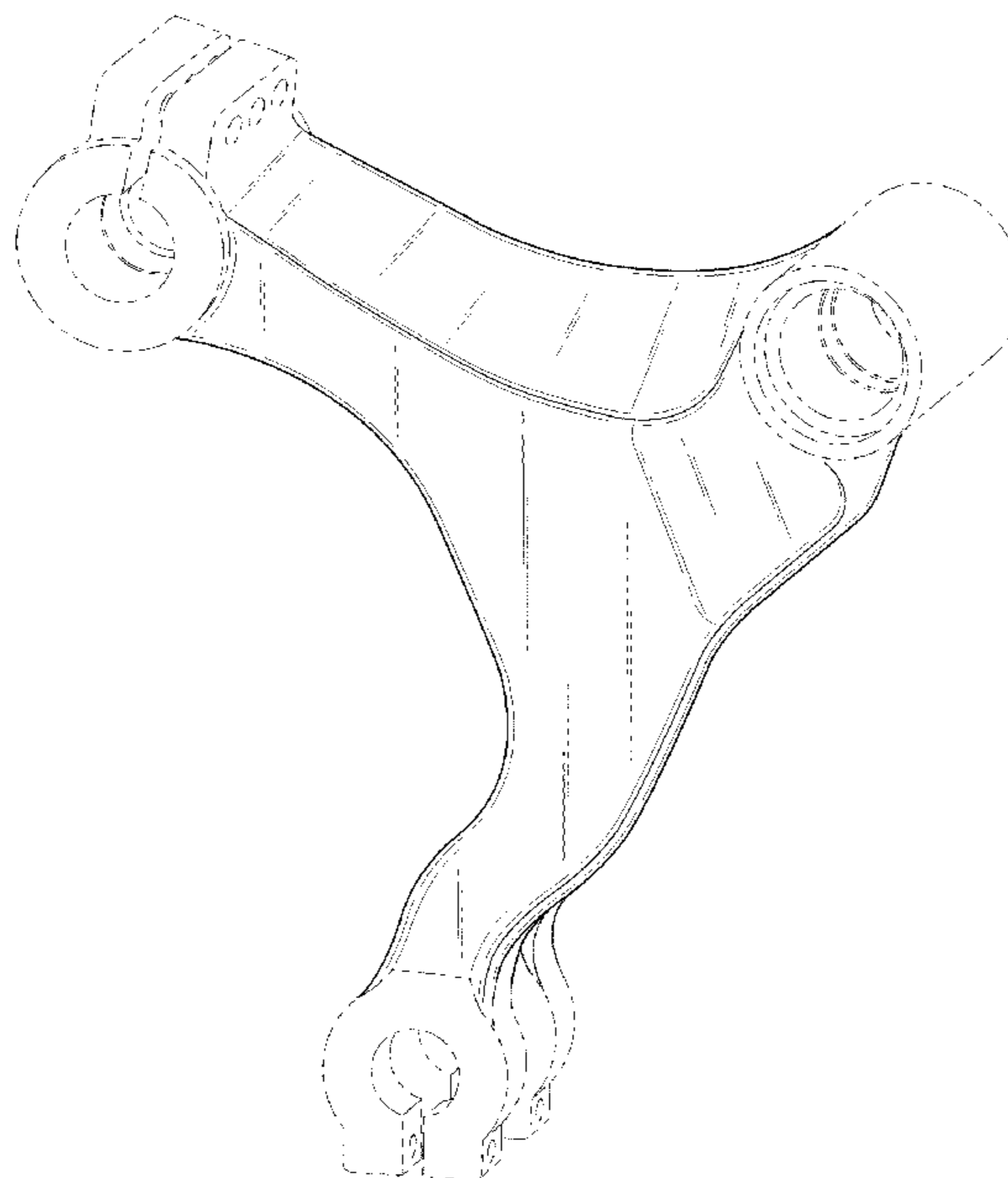
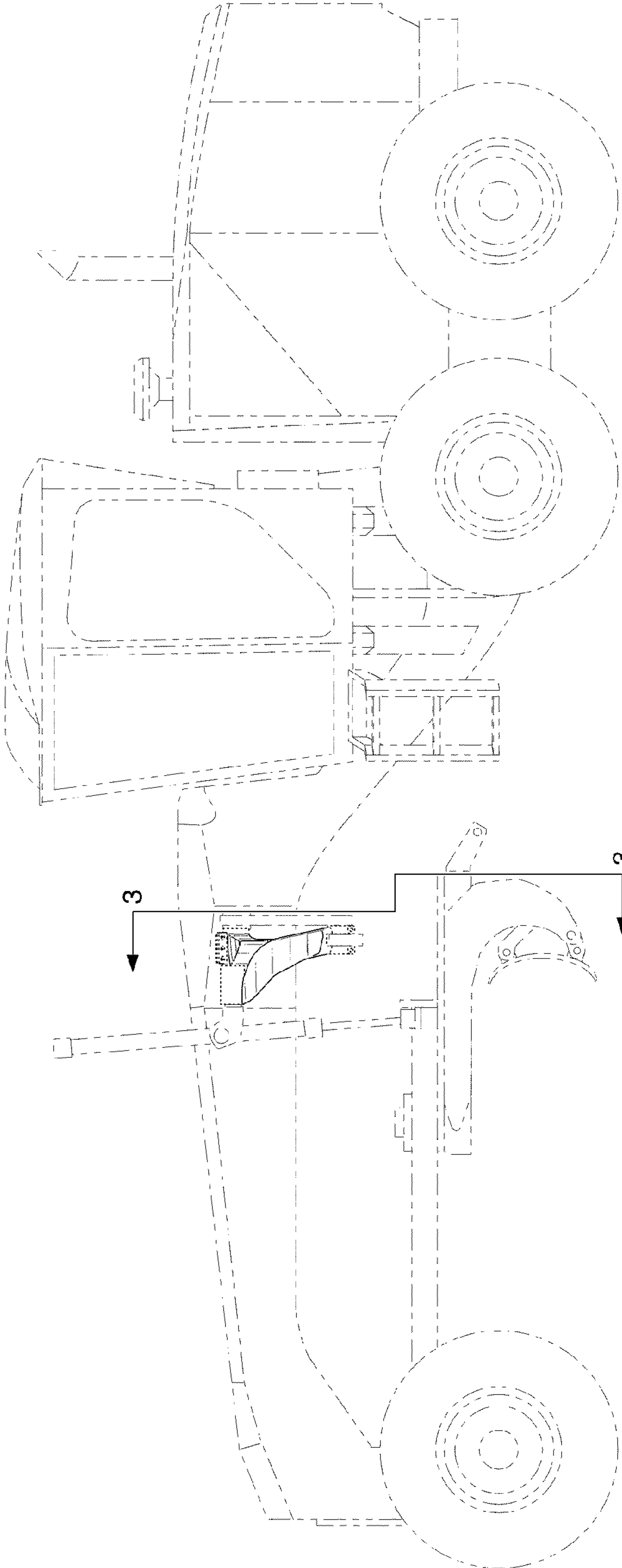


FIG. 1



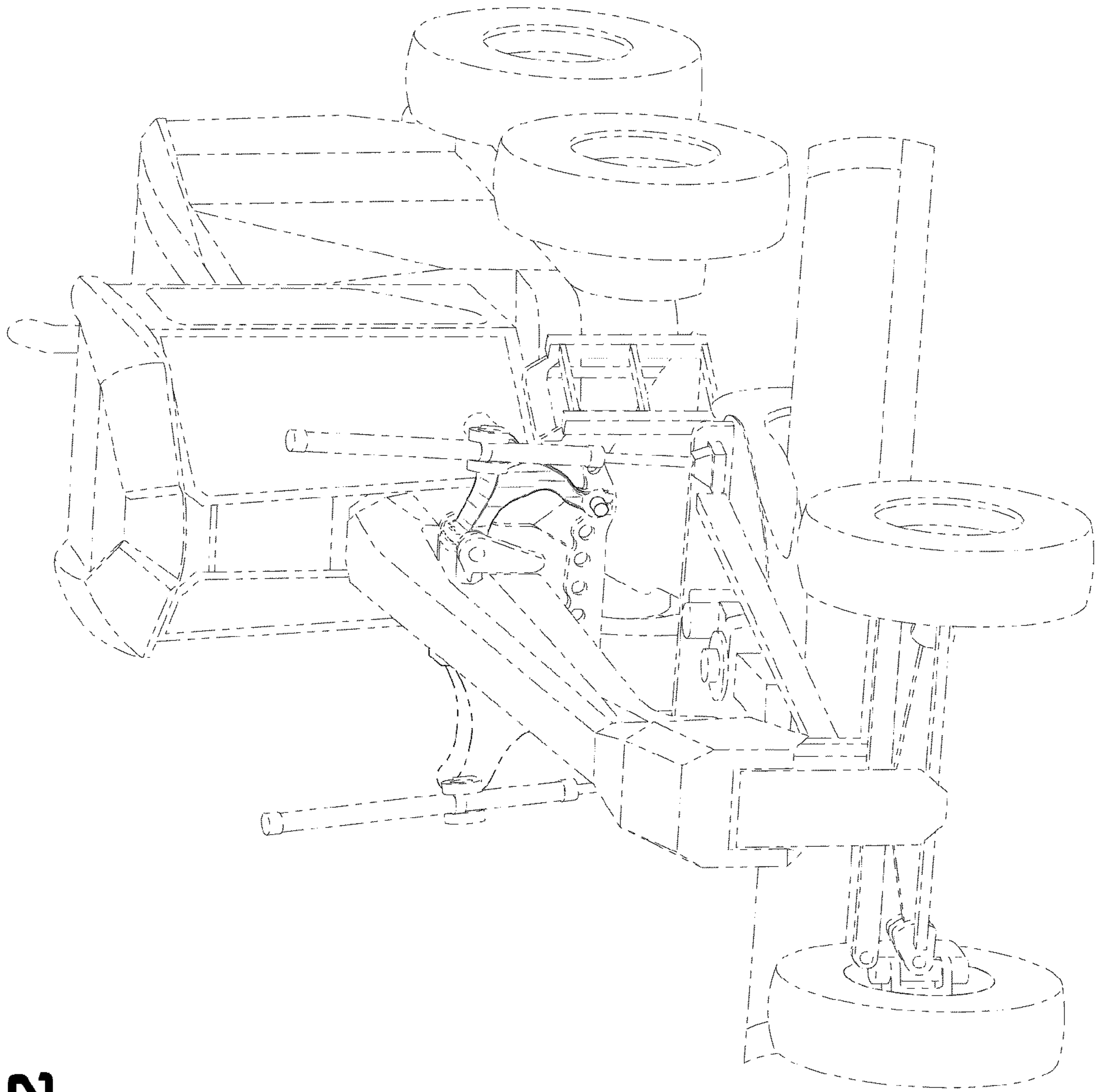


FIG. 2

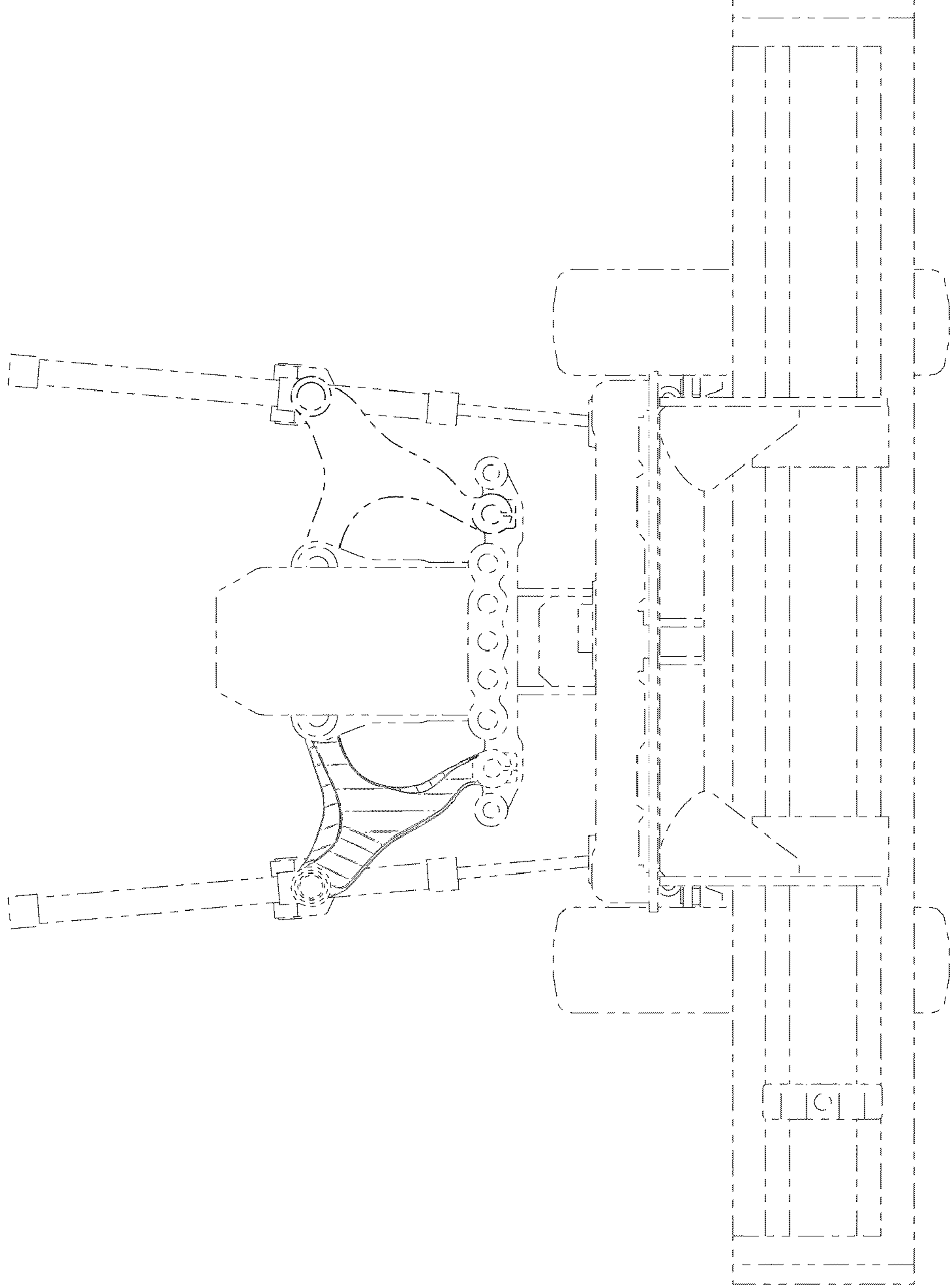
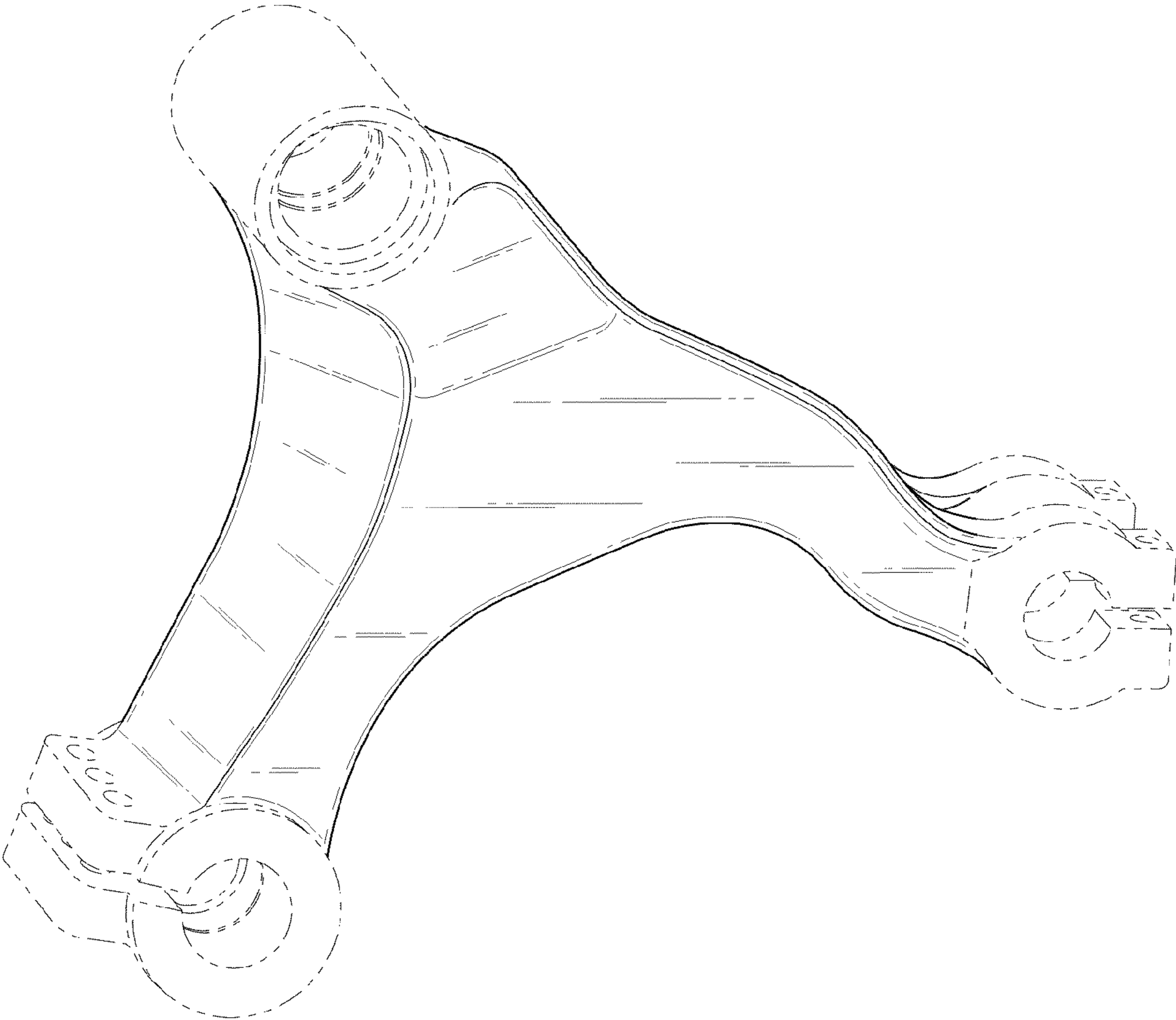


FIG. 3



**FIG. 4**

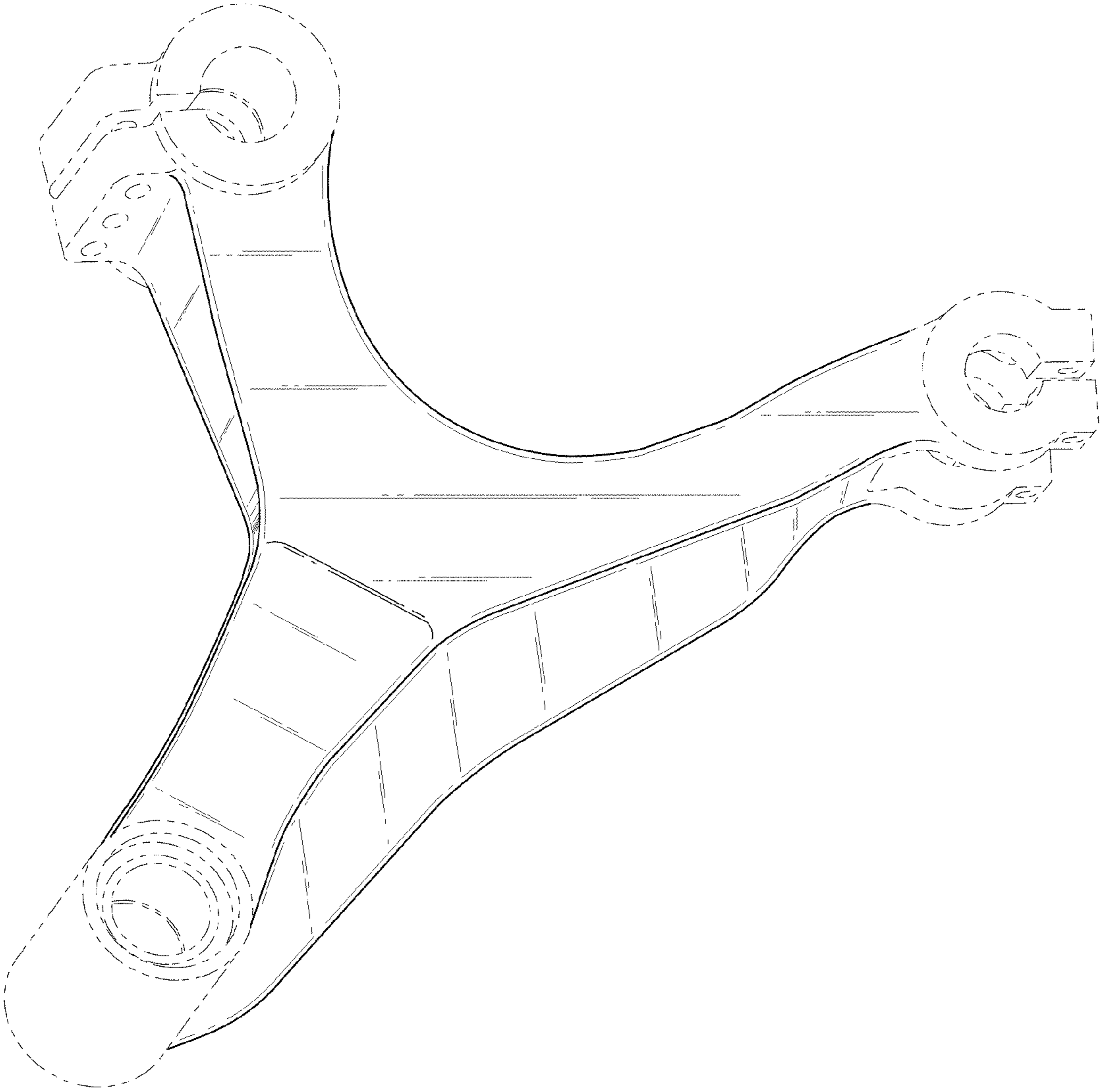
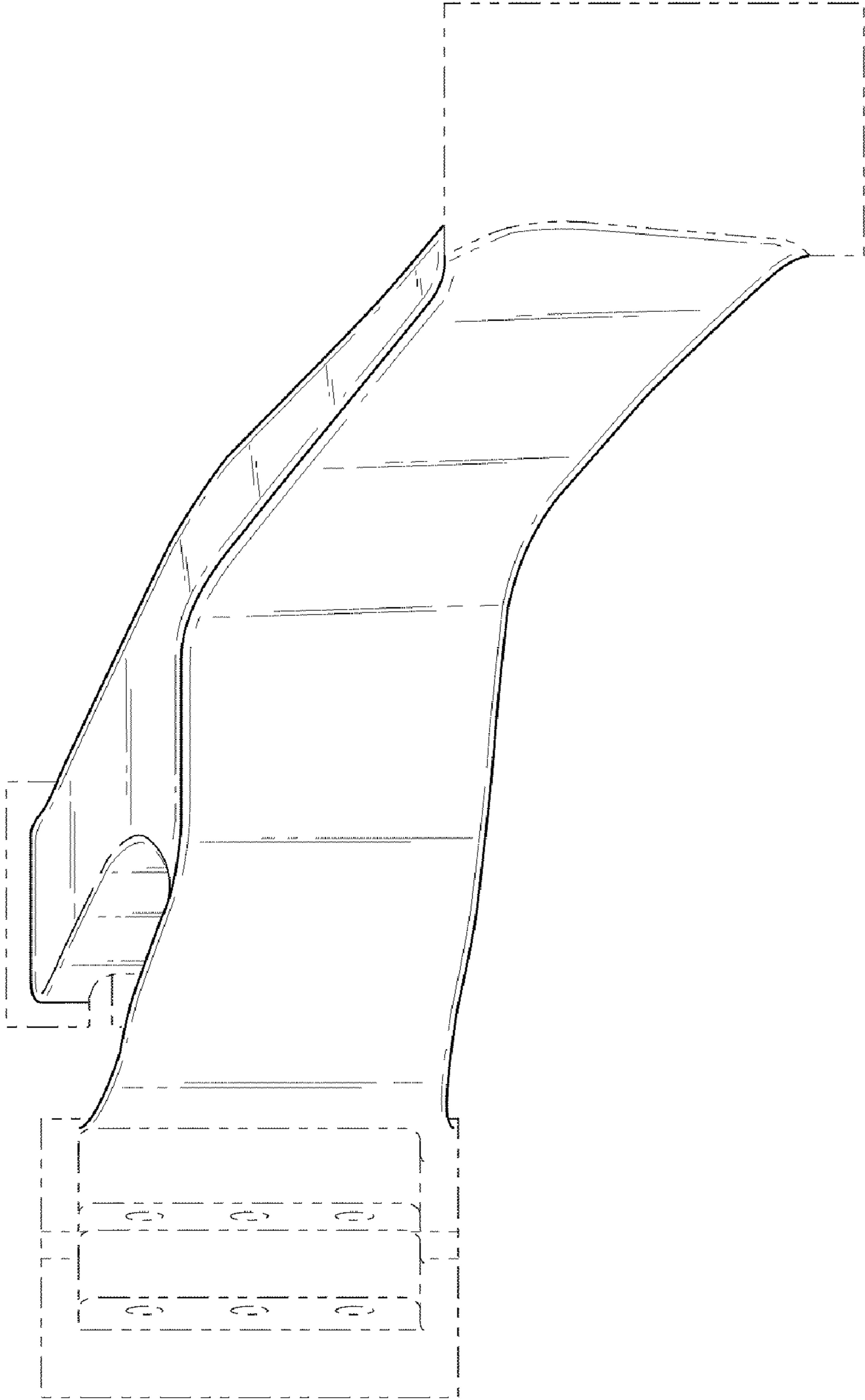
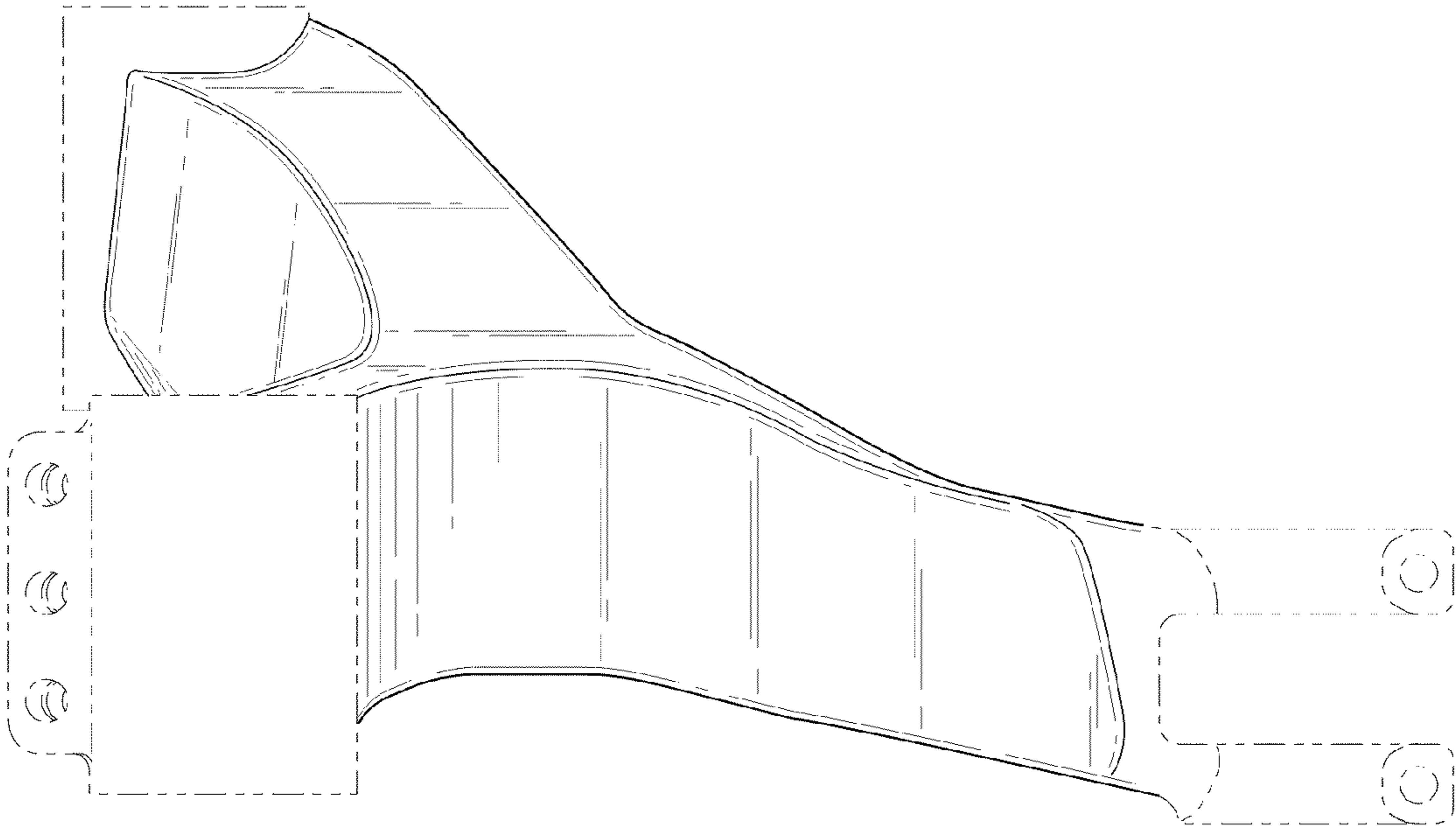


FIG. 5

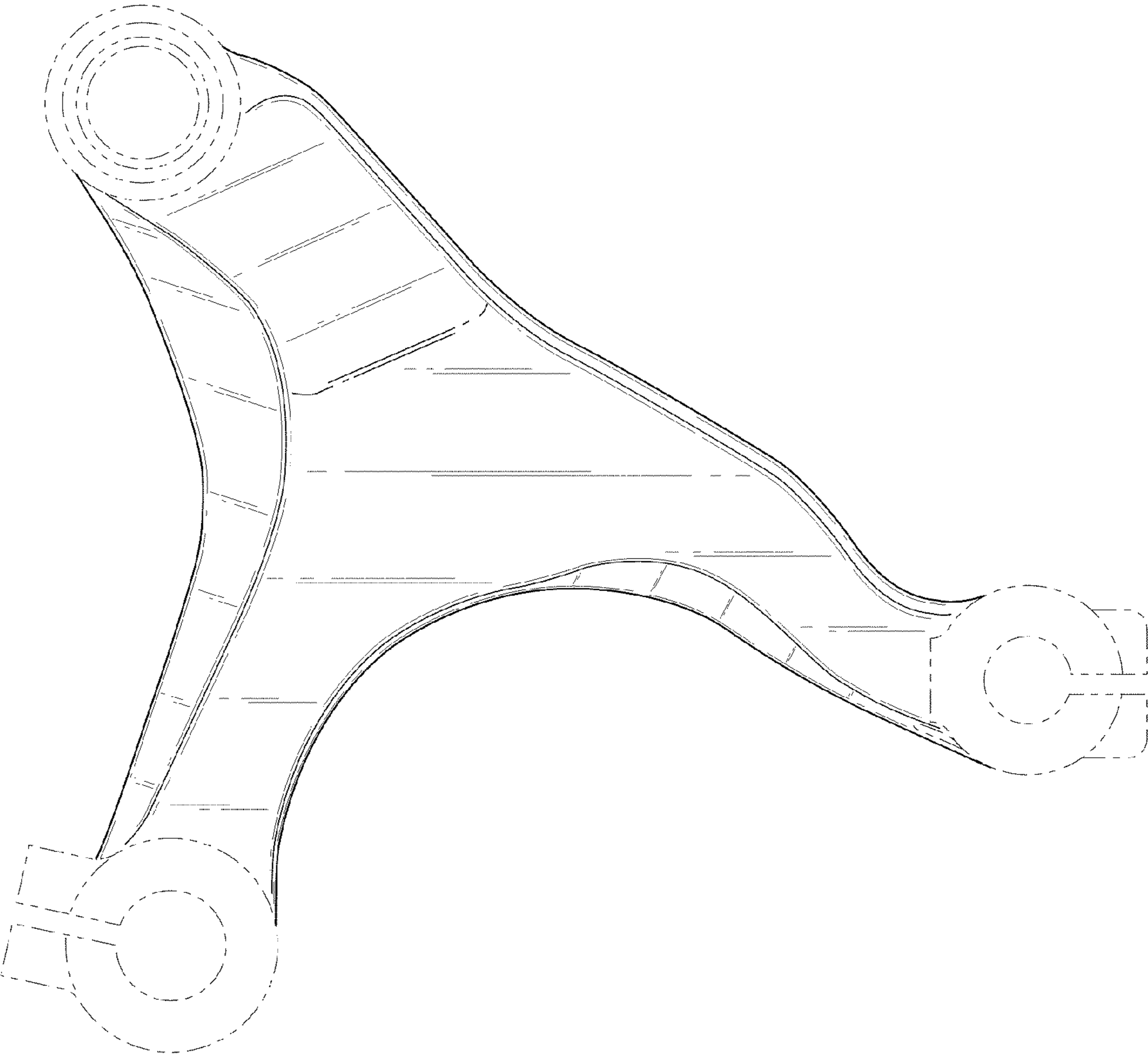
FIG. 6





**FIG. 7**





**FIG. 8**

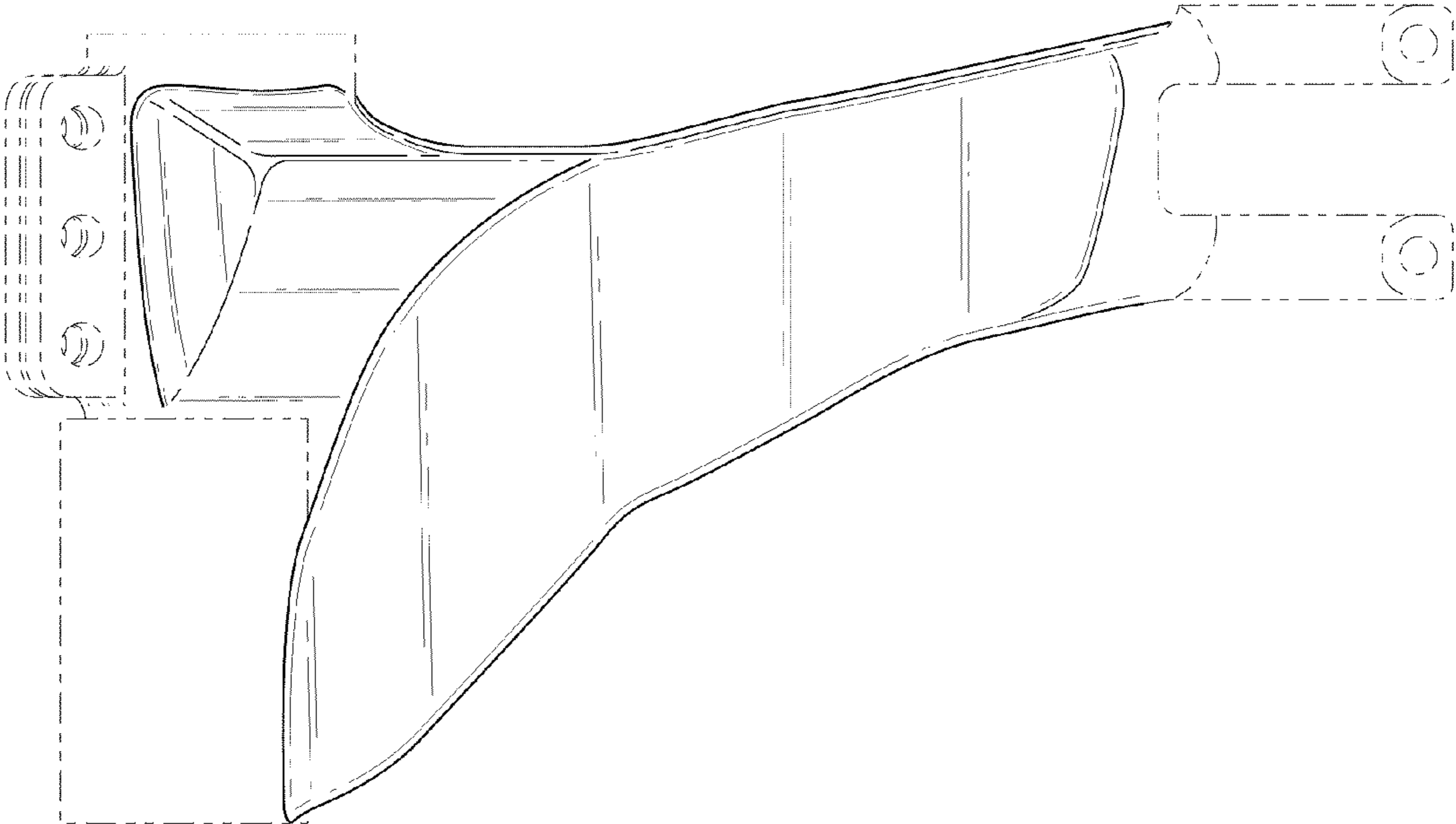


FIG. 9