



US00D594477S

(12) **United States Design Patent**  
**Dawson et al.**

(10) **Patent No.:** **US D594,477 S**  
(45) **Date of Patent:** **\*\* Jun. 16, 2009**

- (54) **SOIL COMPACTION WHEEL**
- (75) Inventors: **Frank Dawson**, Dandenong (AU);  
**Andrew Juzva**, Dandenong (AU)
- (73) Assignee: **Equipment Component Holdings Pty Ltd**, Dandenong, Victoria (AU)
- (\*\*) Term: **14 Years**
- (21) Appl. No.: **29/299,847**
- (22) Filed: **Jan. 4, 2008**
- (51) **LOC (9) Cl.** ..... **15-03**
- (52) **U.S. Cl.** ..... **D15/20; D15/28**
- (58) **Field of Classification Search** ..... D15/20,  
D15/28, 29; 37/91; 404/122, 124, 133, 131.2,  
404/121; 172/548, 555; 301/43, 41.1; 180/194  
See application file for complete search history.

4,723,870 A *	2/1988	Martinez	.....	404/121
D305,337 S *	1/1990	Plummer	.....	D15/28
4,913,581 A *	4/1990	Weiler	.....	404/117
4,950,102 A *	8/1990	Zeitz	.....	404/121
5,360,288 A *	11/1994	O'Neill et al.	.....	404/129
D377,356 S *	1/1997	Bruns	.....	D15/28
5,676,493 A *	10/1997	Brockway	.....	405/271
D386,191 S *	11/1997	Bruns	.....	D15/28
7,066,682 B2 *	6/2006	Hester	.....	404/129
7,219,452 B1 *	5/2007	Raguse	.....	37/91
2005/0194154 A1 *	9/2005	Hester	.....	172/1

\* cited by examiner

*Primary Examiner*—Stella M Reid

*Assistant Examiner*—Mark A Goodwin

(74) *Attorney, Agent, or Firm*—Holland & Hart LLP

(57) **CLAIM**

The ornamental design for a soil compaction wheel, as shown and described.

(56) **References Cited**

U.S. PATENT DOCUMENTS

204,988 A *	6/1878	McColm	.....	172/548
D29,548 S *	10/1898	Porter	.....	D15/28
1,064,265 A *	6/1913	Waterman	.....	172/548
1,104,934 A *	7/1914	Rumely	.....	301/53
1,371,303 A *	2/1921	Emerson	.....	404/121
1,521,834 A *	1/1925	Raymond	.....	301/65
3,180,442 A *	4/1965	Pomeroy	.....	180/194
3,259,036 A *	7/1966	Peterson et al.	.....	404/121
3,269,285 A *	8/1966	Lathers	.....	404/124
3,274,908 A *	9/1966	Grant et al.	.....	404/121
3,297,096 A *	1/1967	Wooldridge	.....	172/464
3,650,185 A *	3/1972	Takata	.....	404/121
3,922,106 A *	11/1975	Caron et al.	.....	404/121
4,530,620 A *	7/1985	McCartney	.....	404/121

**DESCRIPTION**

FIG. 1 is a perspective view of a soil compaction wheel showing our new design;

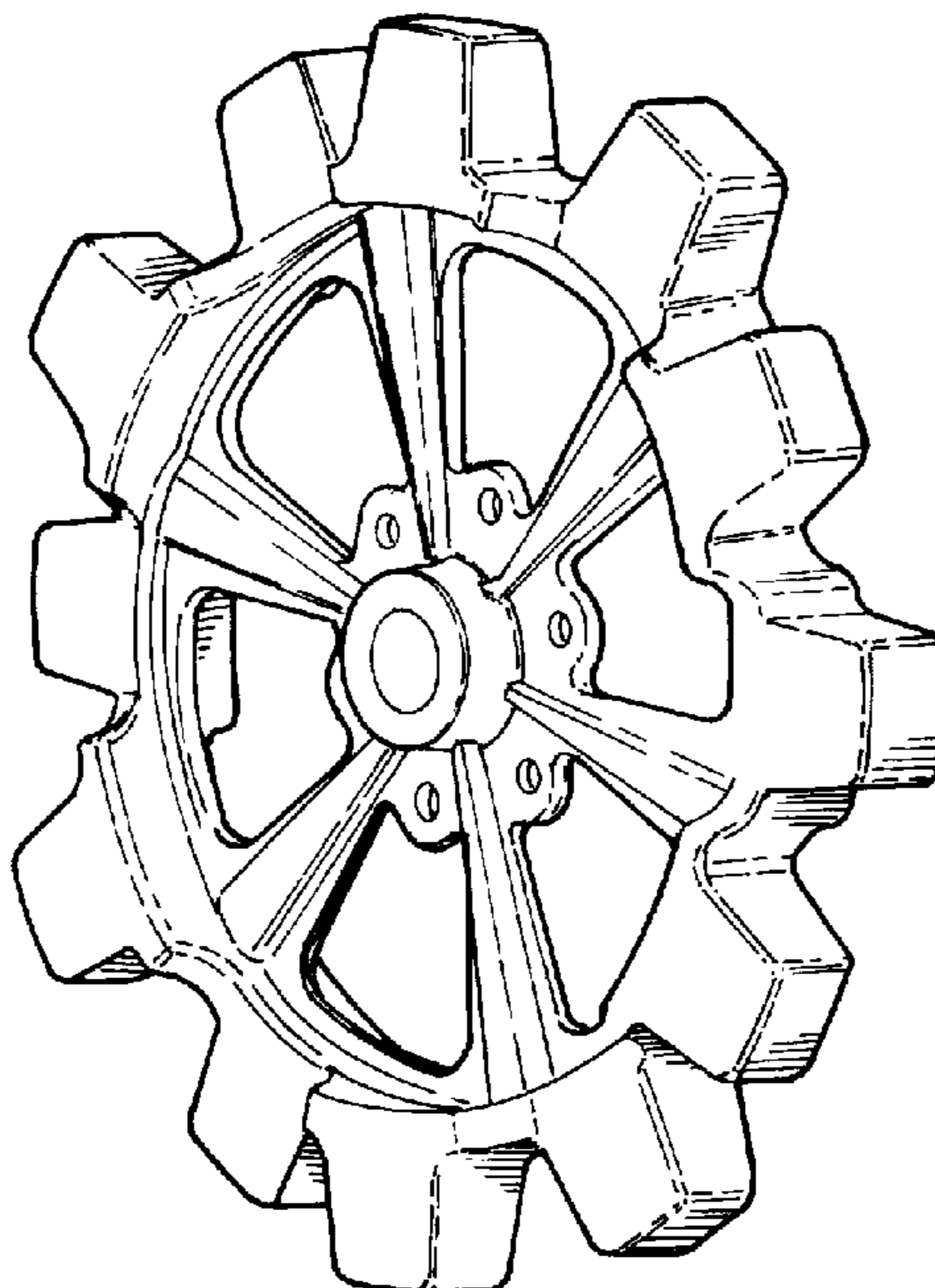
FIG. 2 is a front view of the soil compaction wheel as shown in FIG. 1;

FIG. 3 is a rear view of the soil compaction wheel as shown in FIG. 1;

FIG. 4 is a right side view of the soil compaction wheel as shown in FIG. 1; and,

FIG. 5 is a left side view of the soil compaction wheel as shown in FIG. 1.

**1 Claim, 2 Drawing Sheets**



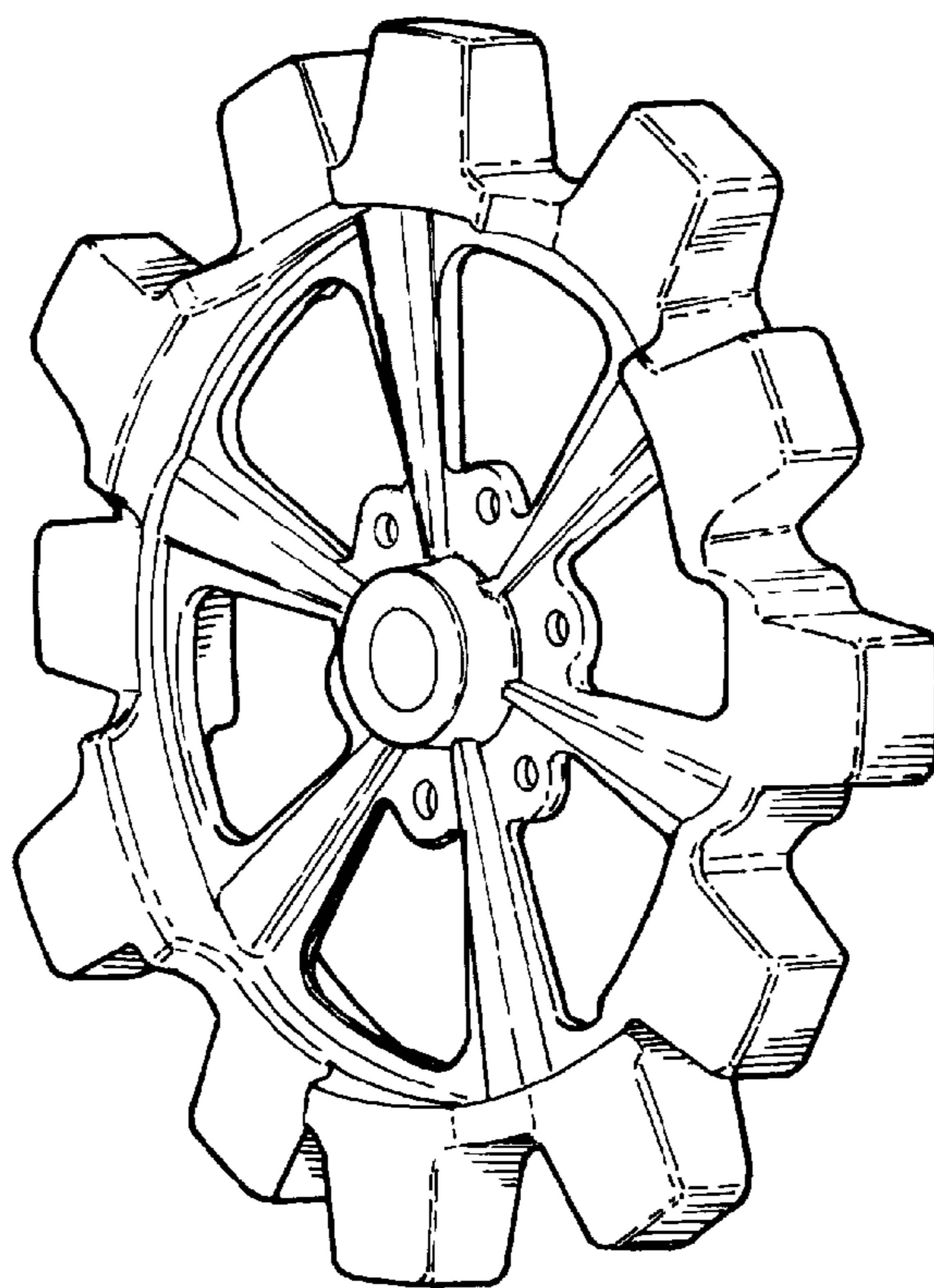


FIGURE 1

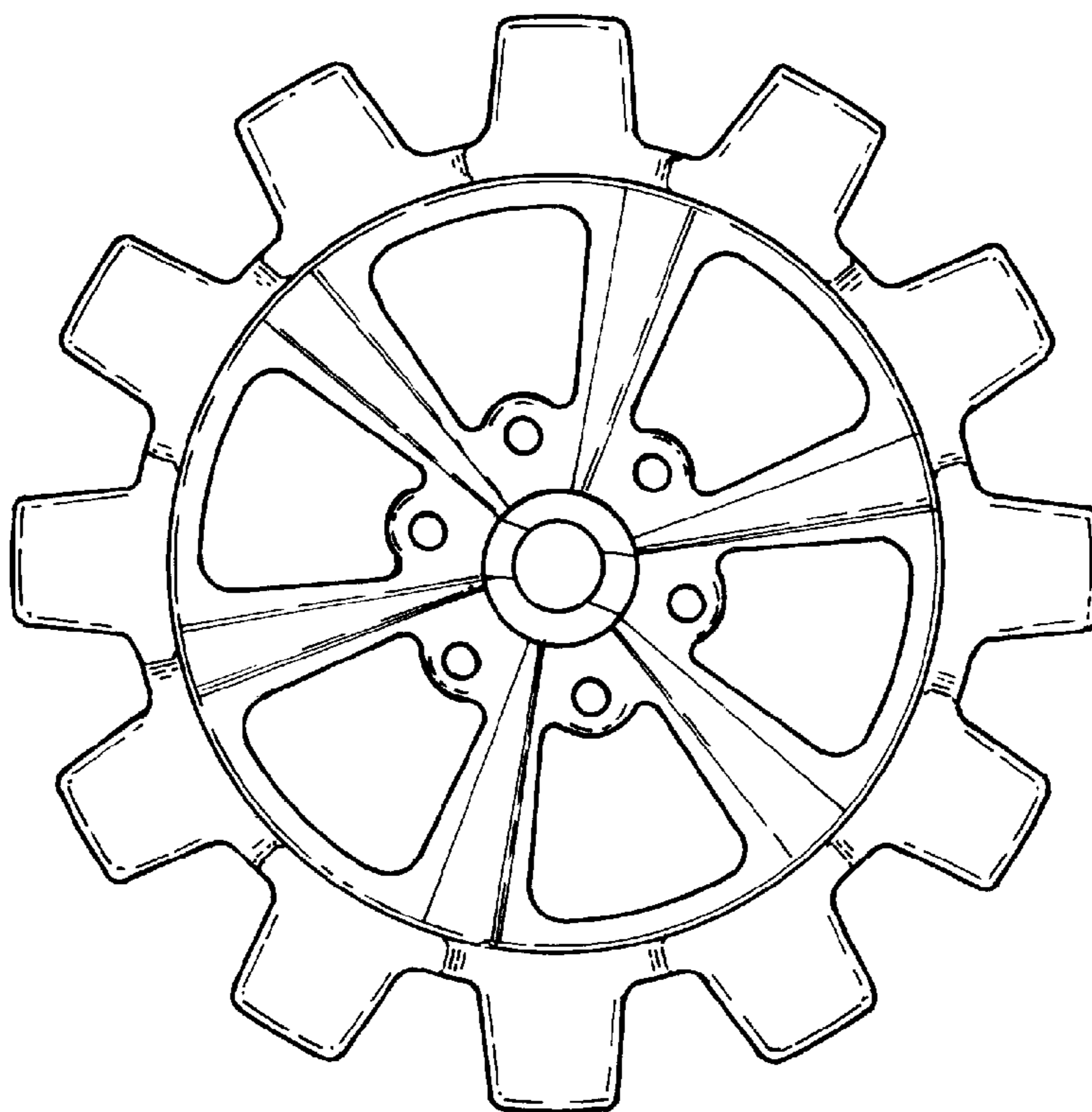


FIGURE 2

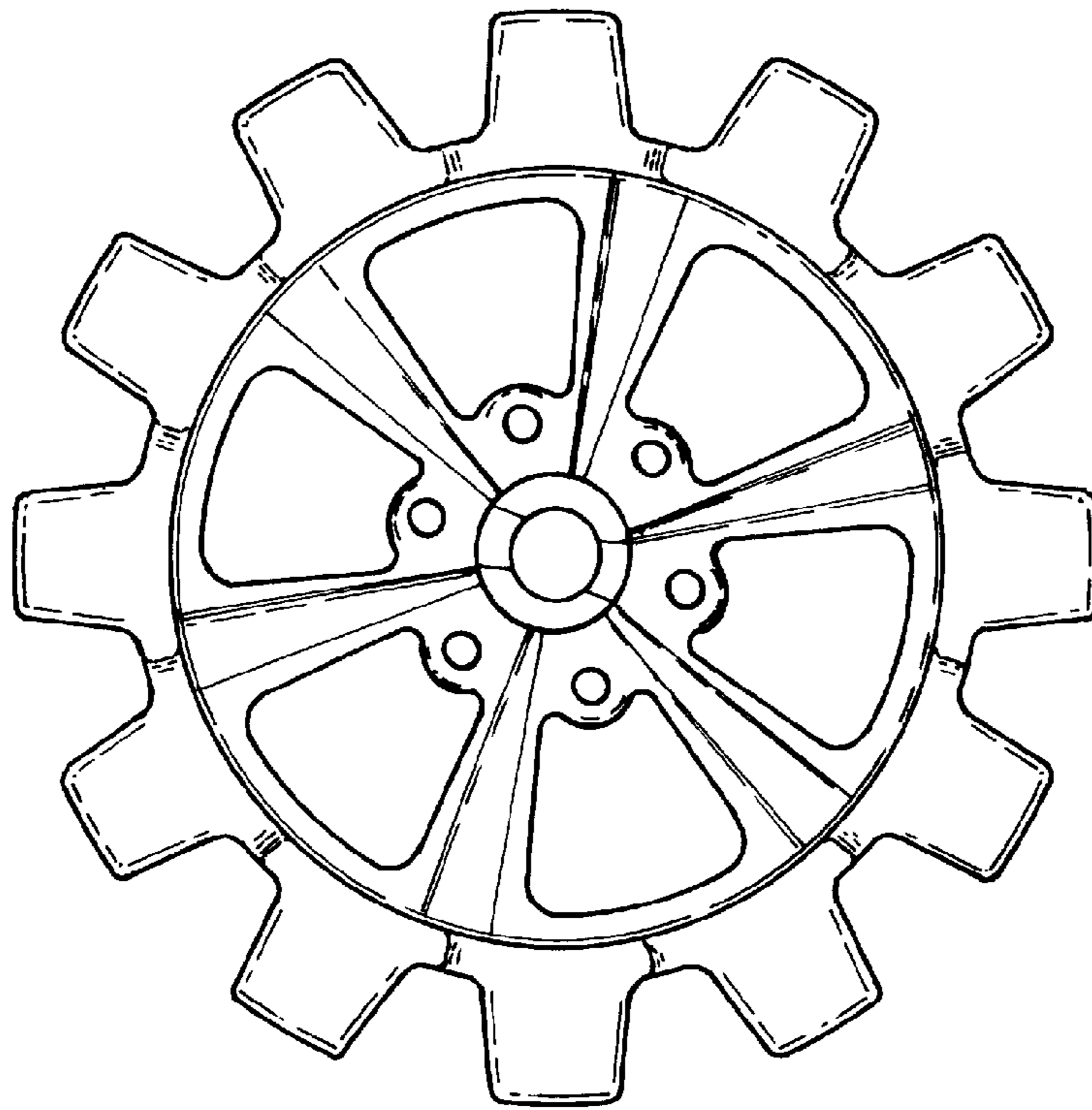


FIGURE 3

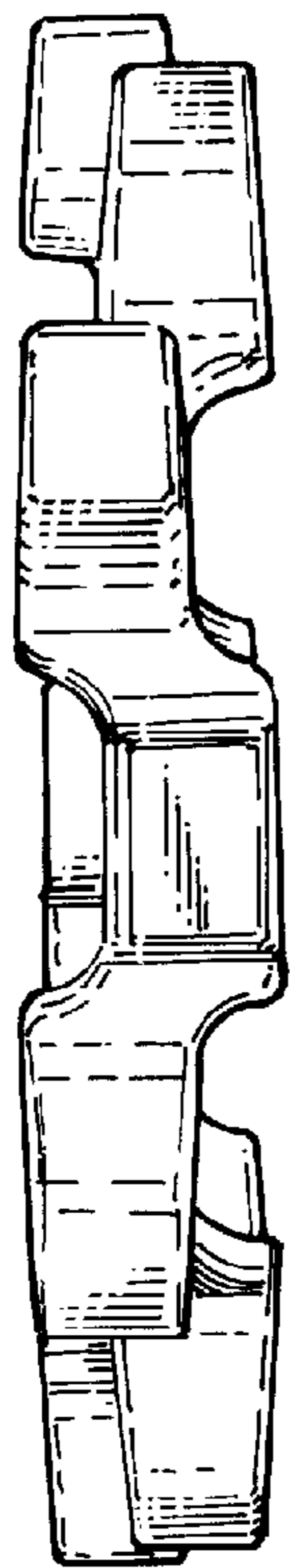


FIGURE 4

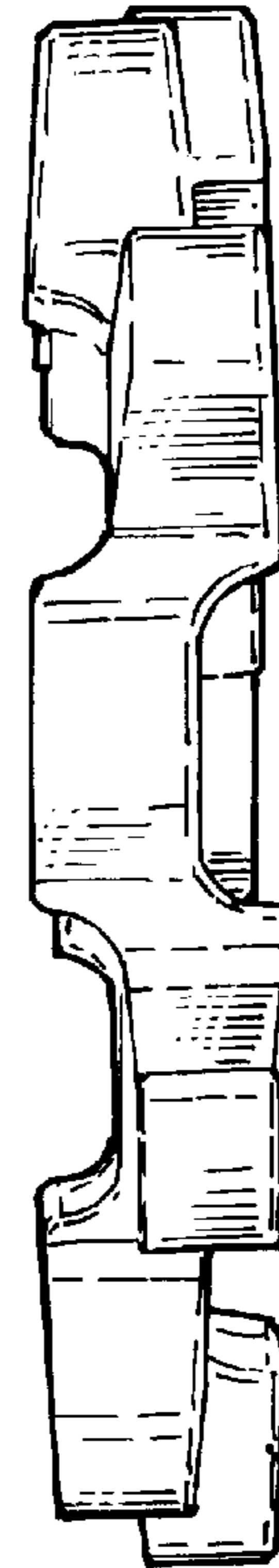


FIGURE 5