

US00D594476S

(12) **United States Design Patent**
Mayer et al.

(10) **Patent No.:** **US D594,476 S**

(45) **Date of Patent:** **** Jun. 16, 2009**

(54) **COVER FOR AN ENGINE**

(75) Inventors: **Bart Mayer**, Fond du Lac, WI (US);
John Sigrist, Greenfield, WI (US); **Carl Tiefenthaler**, Jackson, WI (US);
Michael Schultz, Menomonee Falls, WI (US)

(73) Assignee: **Briggs and Stratton Corporation**,
Wauwatosa, WI (US)

(**) Term: **14 Years**

(21) Appl. No.: **29/299,516**

(22) Filed: **Dec. 28, 2007**

(51) **LOC (9) Cl.** **15-01**

(52) **U.S. Cl.** **D15/5**

(58) **Field of Classification Search** D12/163-166;
D13/112, 184, 199; D15/1-5, 149; D23/411,
D23/381-382; D34/15; 46/39, 78, 249;
56/320.1-320.2; 74/606 R; 123/41, 41.7,
123/50 A, 50 B, 50 R, 56, 65 R, 70 R, 156 BA,
123/195.3, 198 E, 198 R, 306, 308, 661,
123/667; 416/247 R, 244 R
See application file for complete search history.

(56) **References Cited**

U.S. PATENT DOCUMENTS

D247,177 S	2/1978	Stevens	
D257,844 S	1/1981	Stevens	
D308,871 S	6/1990	Harkness et al.	
D308,872 S	6/1990	Harkness et al.	
D309,457 S	7/1990	Eifert et al.	
D309,458 S	7/1990	Johnson et al.	
D387,357 S *	12/1997	Gilmore D15/1

(Continued)

OTHER PUBLICATIONS

Kawasaki, Four-Cycle Engines, Kawasaki FJ180V, website, http://www.kawpowr.com/4cycle/fj180v_specs.html, 1 page, Feb. 2, 2005.

Kawasaki, Four-Cycle Engines, Kawasaki FC290v, website, http://www.kawpowr.com/4cycle/fc290v_specs.html, 1 page, Feb. 2, 2005.

Kawasaki, Four-Cycle Engines, Kawasaki FH721D, website, http://www.kawpowr.com/4cycle/fh721d_specs.html, 1 page, Feb. 2, 2005.

(Continued)

Primary Examiner—Ian Simmons

Assistant Examiner—Wan Laymon

(74) *Attorney, Agent, or Firm*—Michael Best & Friedrich LLP

(57) **CLAIM**

The ornamental design for a cover for an engine, as shown and described.

DESCRIPTION

FIG. 1 is a perspective view of a cover for an engine embodying the invention;

FIG. 2 is a top view of the cover of FIG. 1;

FIG. 3 is a bottom view of the cover of FIG. 1;

FIG. 4 is a first side view of the cover of FIG. 1;

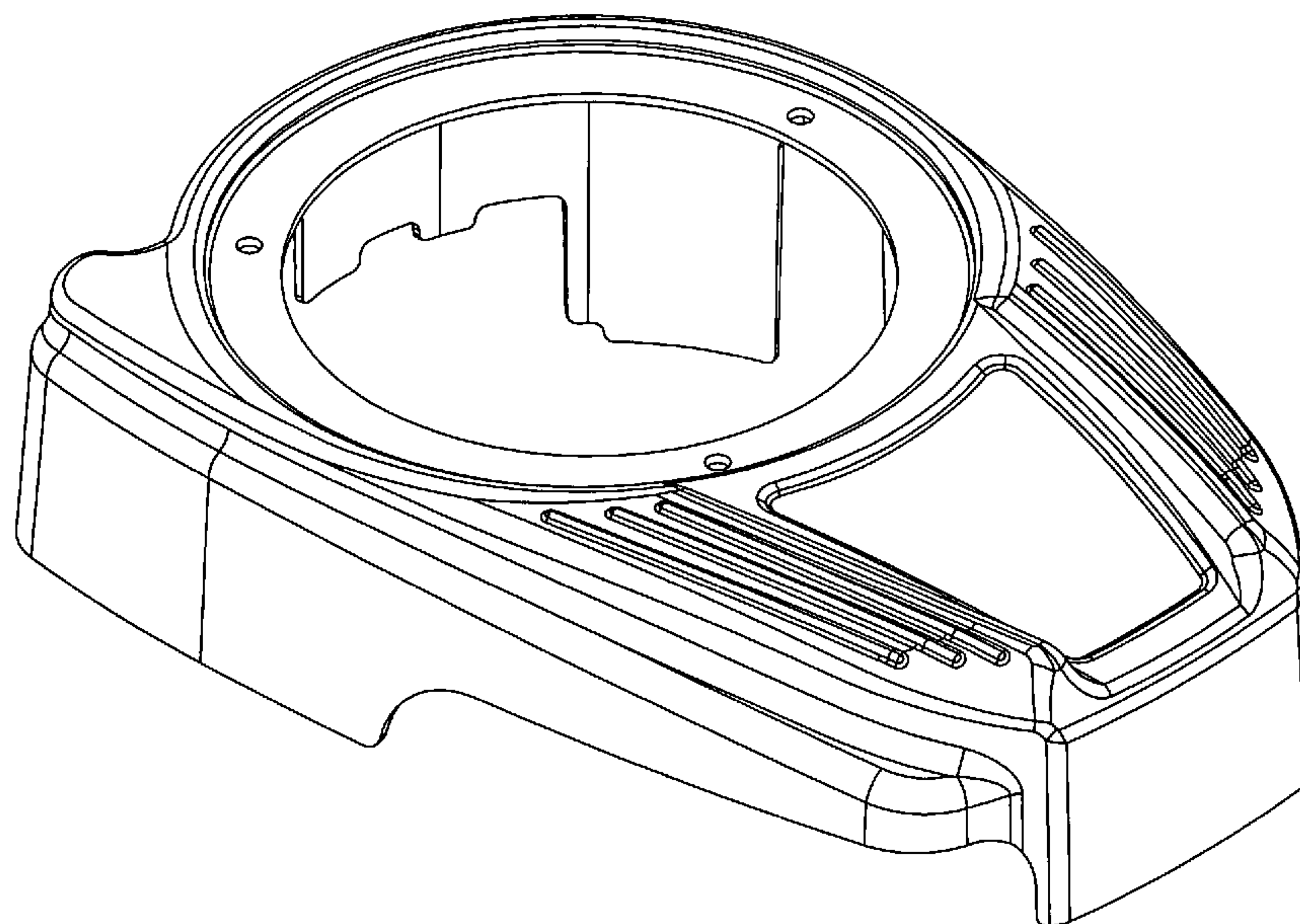
FIG. 5 is another side view opposite the first side view of the cover of FIG. 1;

FIG. 6 is a front view of the cover of FIG. 1; and,

FIG. 7 is a rear view of the cover of FIG. 1.

The broken line showing of the environment is for illustrative purposes only and forms no part of the claimed design.

1 Claim, 5 Drawing Sheets



U.S. PATENT DOCUMENTS

D457,891 S	5/2002	Matre	
D484,889 S	* 1/2004	Neeley et al. D15/1
D513,012 S	12/2005	Strandell et al.	
D513,754 S	1/2006	Strandell et al.	
D517,672 S	3/2006	Schmitt et al.	
D518,157 S	3/2006	Clark et al.	
D522,533 S	6/2006	Diiulio	
D525,991 S	8/2006	Walters	
D527,022 S	8/2006	Walters	
D527,741 S	9/2006	Vervoorn	
D528,127 S	9/2006	Nagel et al.	
D529,924 S	10/2006	Ryczek et al.	
D529,925 S	10/2006	Strandell et al.	
D531,638 S	11/2006	Drew et al.	
D531,641 S	11/2006	Schultz et al.	
D536,004 S	1/2007	Ryczek et al.	
D537,396 S	2/2007	Drew et al.	
D538,823 S	3/2007	Vervoorn	
D540,819 S	4/2007	Schmitt et al.	
D540,928 S	4/2007	Matel et al.	
D541,300 S	4/2007	Geisheker et al.	
D541,303 S	4/2007	Drew et al.	
D548,750 S	8/2007	Neeley et al.	
D549,733 S	8/2007	Strandell et al.	
D553,645 S	10/2007	Drew et al.	
D583,831 S	* 12/2008	Post et al. D15/5
D585,459 S	* 1/2009	Jing D15/5

OTHER PUBLICATIONS

Kawasaki, Four-Cycle Engines, Kawasaki FH601D, website, http://www.kawpowr.com/4cycle/fh601d_specs.html, 1 page, Feb. 2, 2005.

Kawasaki, Four-Cycle Engines Kawasaki FH601V, website, http://www.kawpowr.com/4cycle/fh601v_specs.html, 1 page, Feb. 2, 2005.

Kawasaki, Four-Cycle Engines, Kawasaki FH500V, website, http://www.kawpowr.com/4cycle/fh500v_specs.html, 1 page, Feb. 2, 2005.

Kawasaki, Four-Cycle Engines, Kawasaki FC150V, website, http://www.kawpowr.com/4cycle/fc150v_specs.html, 1 page, Feb. 2, 2005.

Kawasaki, Four-Cycle Engines, Kawasaki FH721V, website, http://www.kawpowr.com/4cycle/fh721v_specs.html, 1 page, Feb. 2, 2005.

Tecumseh Power Company; Walk-Behind Engines & Transmissions Horsepower Range: 3.5-7.0, website <http://www.tecumsehpower.com/Products/WalkBehind/index.php>, 1 page, Feb. 2, 2005.

Kohler Co. Engine Division; Kohler Engines Born to Run Owner's Manual, Command 11-16 HP Vertical Crankshaft; Cover Sheet, Revised Sep. 1999, Kohler Co. Engine Division, Kohler, Wisconsin, USA.

Kohler Co. Engine Division; Kohler Engines Born to Run Owner's Manual, Command 18-26 HP Horizontal Crankshaft; Cover Sheet, Revised May 1999, Kohler Co. Engine Division, Kohler, Wisconsin, USA.

Kohler Co. Engine Division; Kohler Engines Born to Run Owner's Manual, Command 11-15 HP Horizontal Crankshaft; Cover Sheet, Revised Apr. 1999, Kohler Co. Engine Division, Kohler, Wisconsin, USA.

Kohler Co. Engine Division; Kohler Engines Born to Run Owner's Manual, Magnum 8, 12, 16, HP Horizontal Crankshaft; Cover Sheet, Revised Dec. 2001, Kohler Co. Engine Division, Kohler, Wisconsin, USA.

Kohler Co. Engine Division; Kohler Engines Service Manual, Courage Series SV470-600 Vertical Crankshaft; website http://www.kohlerengines.com/onlinecatalog/detail.jsp?prod_num=Hydro+13, Cover Sheet, Feb. 2, 2005, Kohler Co. Engine Division, Kohler, Wisconsin, USA.

Kohler Co. Engine Division; Kohler Engines Kohler Triad OHC; website http://www.kohlerengines.com/onlinecatalog/enginefamily.jsp?engine_family_name=Triad+OHC, Cover Sheet Feb. 2, 2005, Kohler Co. Engine Division, Kohler, Wisconsin, USA.

Honda Engines, Honda GC Series Engines, brochure, 2003, 10 pages, American Honda Motor Co, Inc.

* cited by examiner

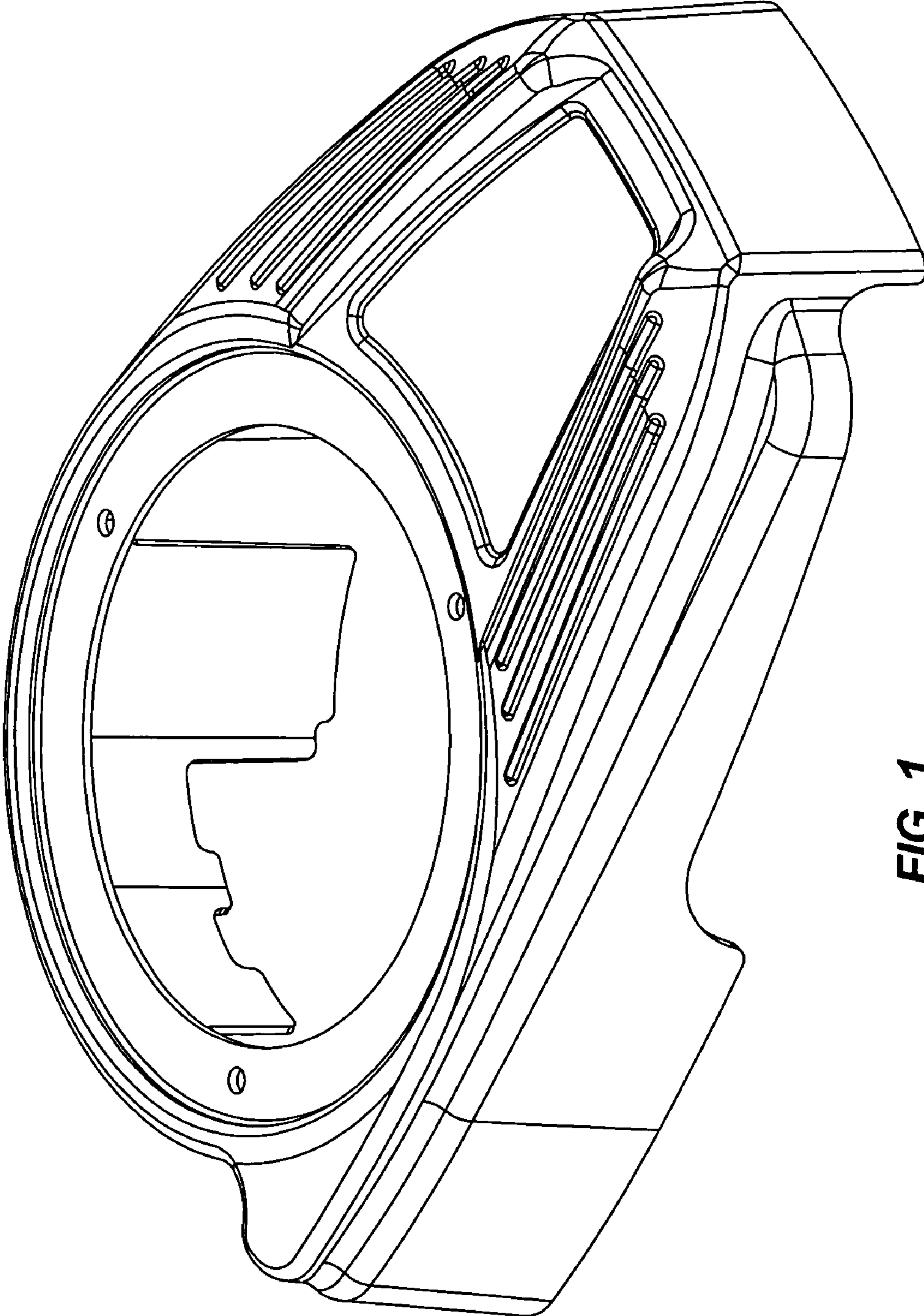


FIG. 1

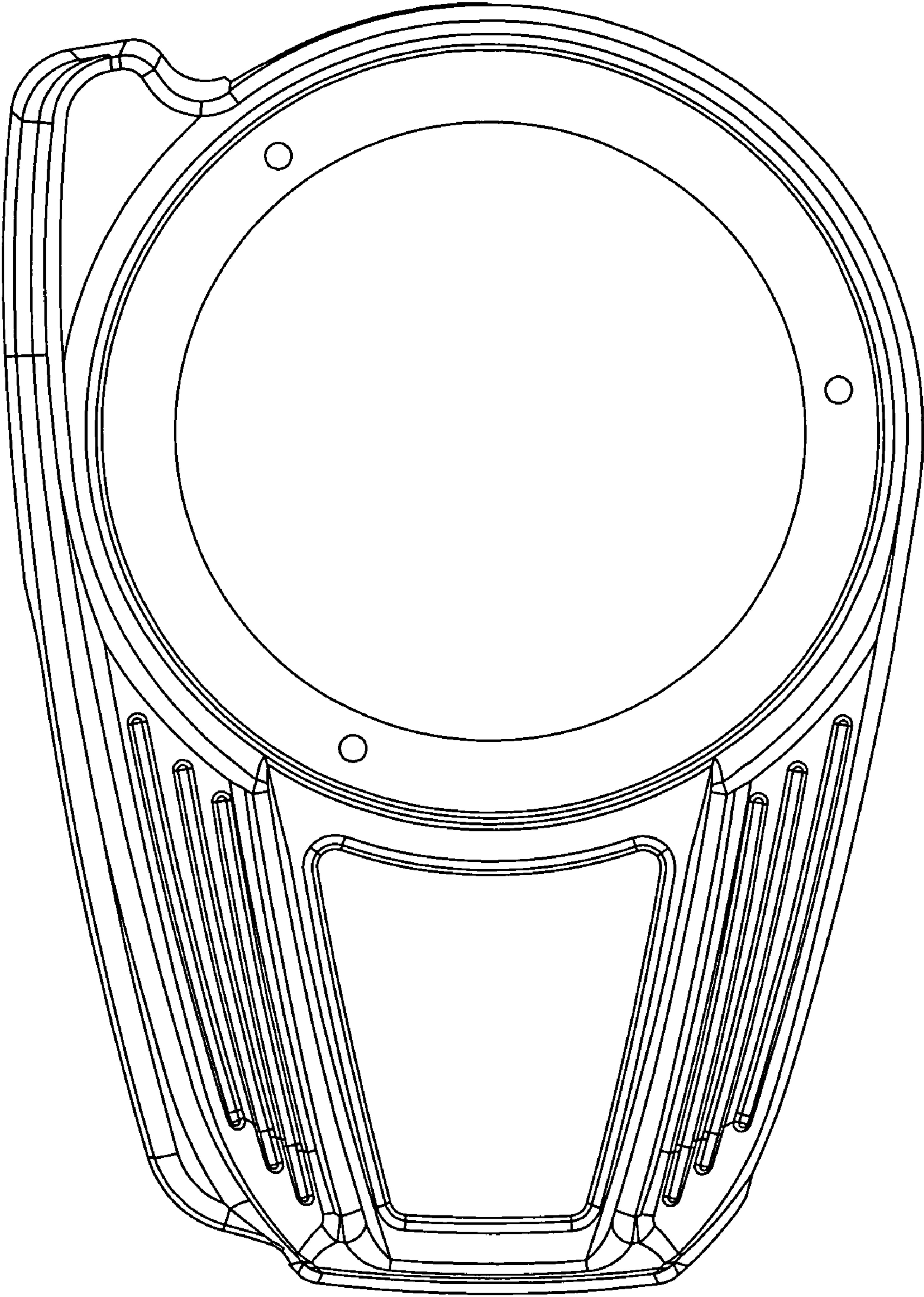


FIG. 2

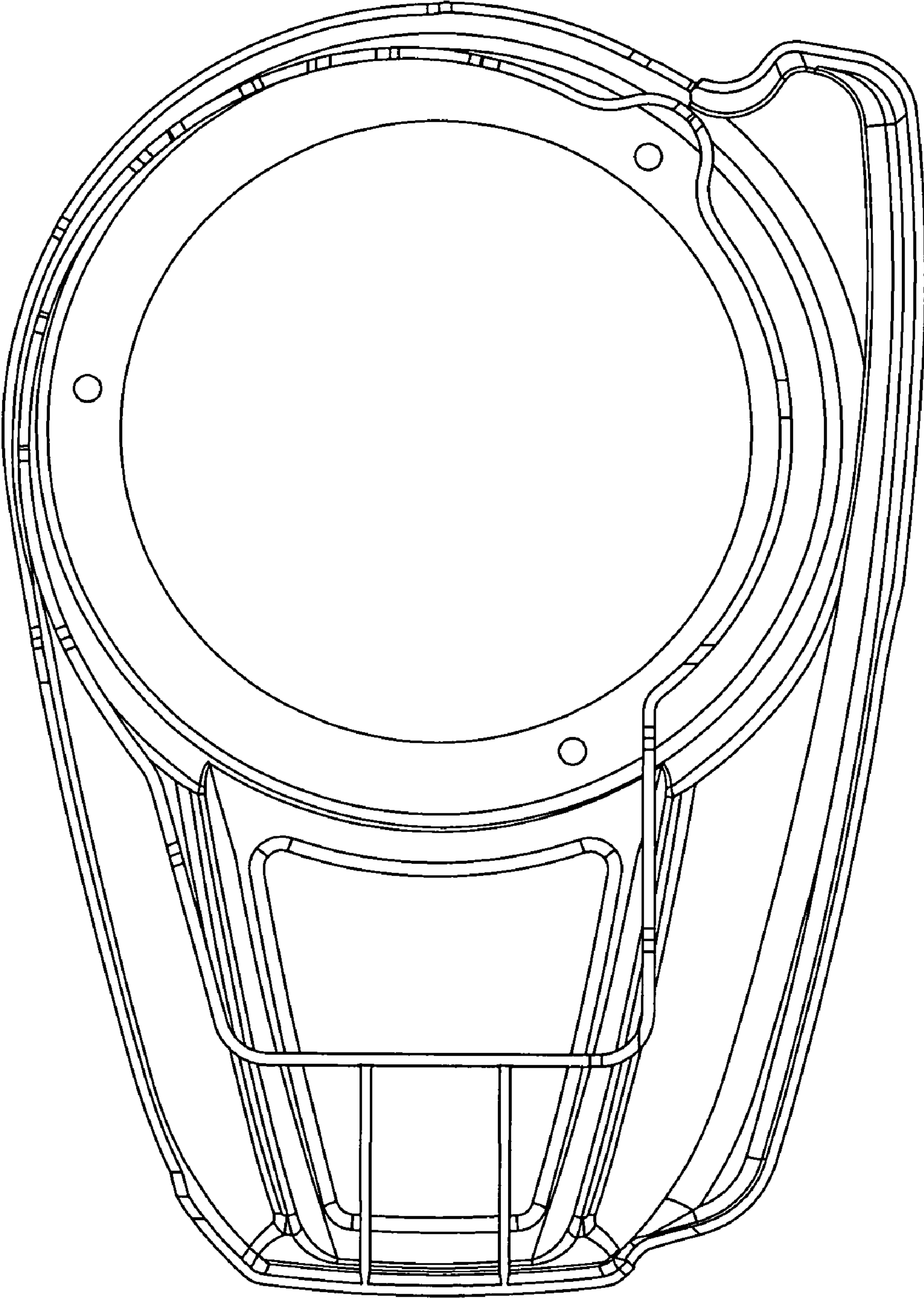


FIG. 3

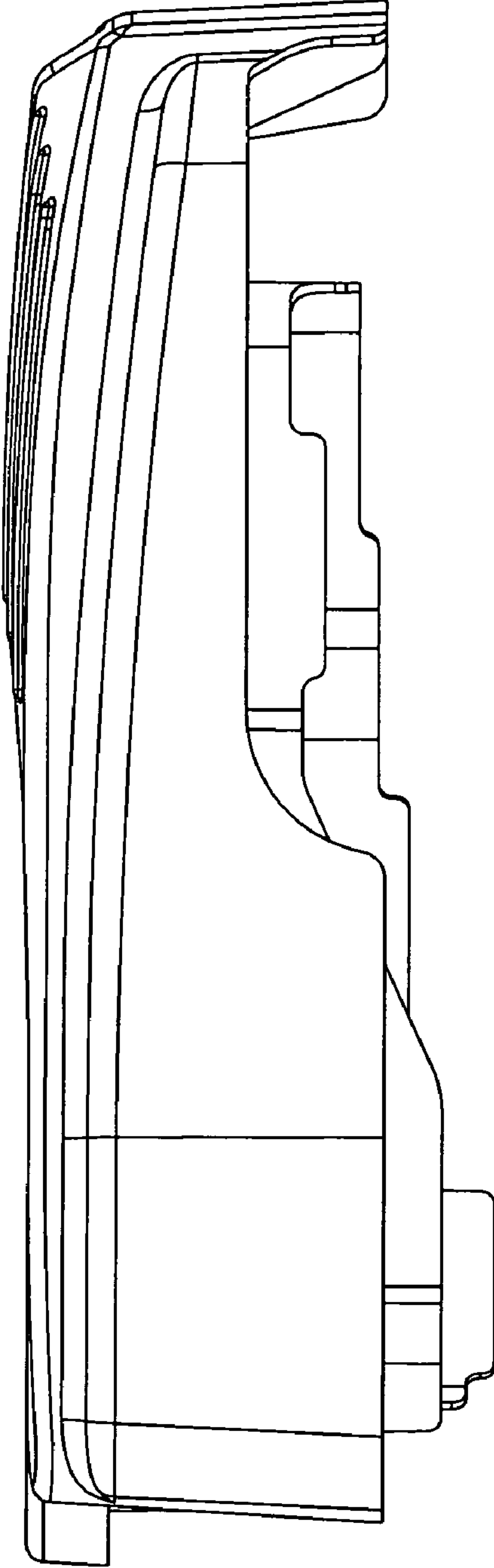


FIG. 4

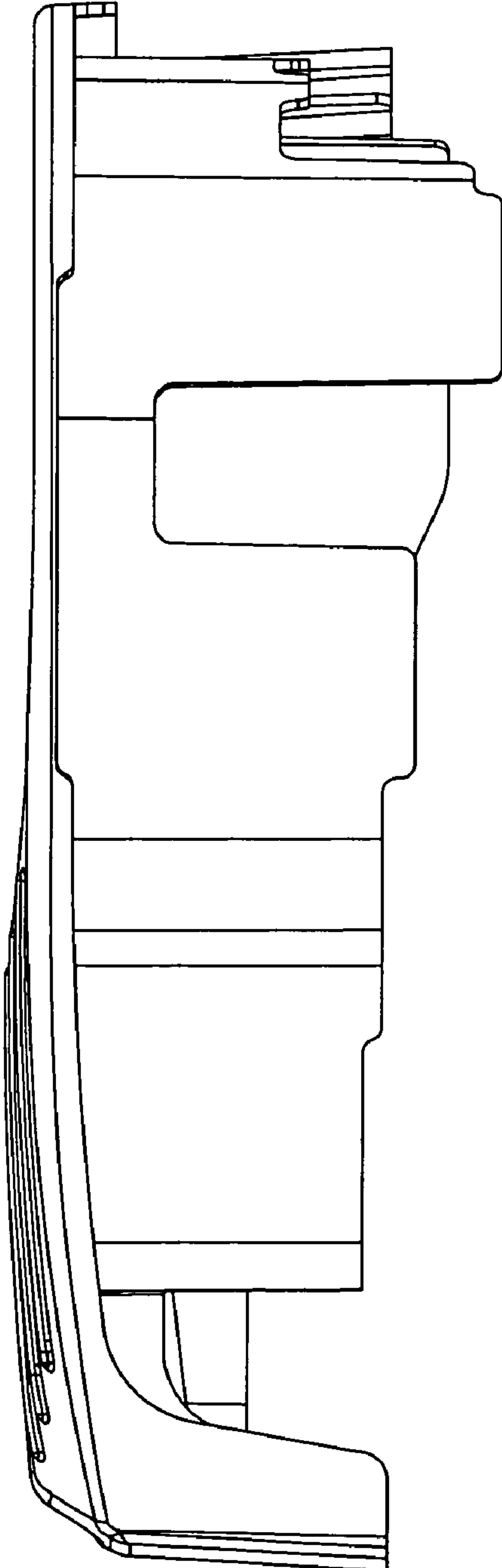


FIG. 5

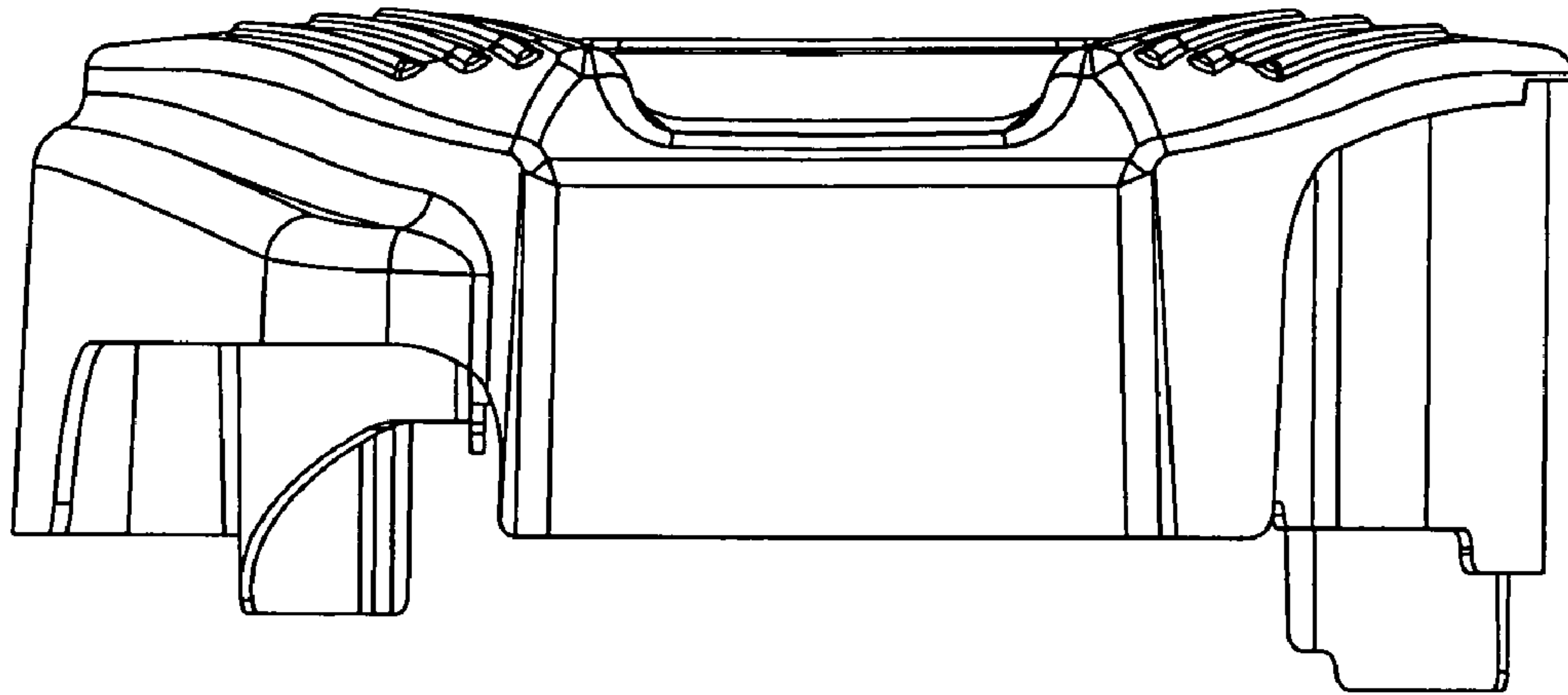


FIG. 6

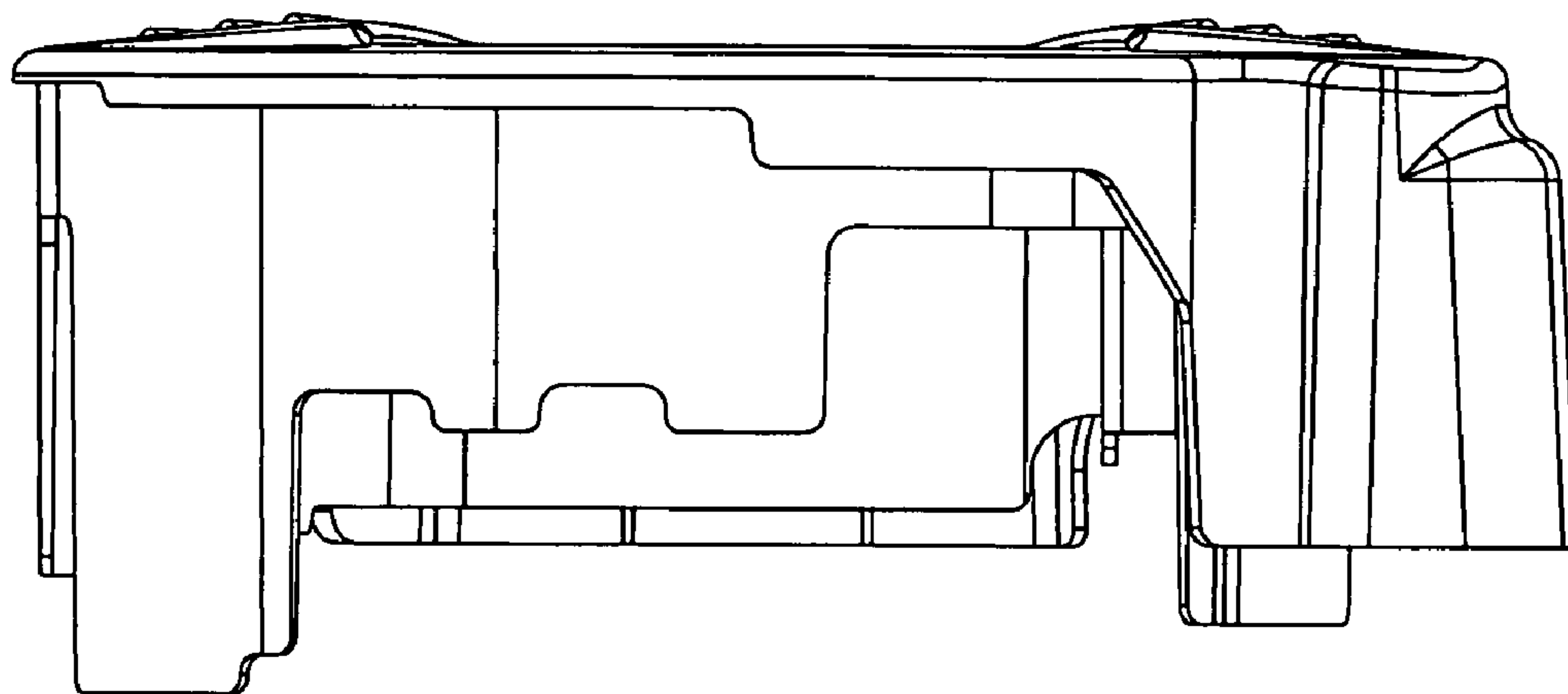


FIG. 7