



US00D594475S

(12) **United States Design Patent**
Liang

(10) **Patent No.:** **US D594,475 S**

(45) **Date of Patent:** **** Jun. 16, 2009**

(54) **DISC PLAYER**

(75) Inventor: **Li-Ni Liang**, Shenzhen (CN)

(73) Assignee: **Hon Hai Precision Industry Co., Ltd.**,
Tu-Cheng, Taipei Hsien (TW)

(**) Term: **14 Years**

(21) Appl. No.: **29/324,877**

(22) Filed: **Sep. 23, 2008**

(30) **Foreign Application Priority Data**

May 12, 2008 (CN) 2008 3 0300609

(51) **LOC (9) Cl.** **14-01**

(52) **U.S. Cl.** **D14/500; D14/505**

(58) **Field of Classification Search** D14/496,
D14/498-511, 167-168, 188, 197-198; 360/99.02,
360/99.07; 369/75.11, 75.21, 77.11, 77.21;
720/601, 612, 619, 649, 655; 455/344, 347-351
See application file for complete search history.

(56) **References Cited**

U.S. PATENT DOCUMENTS

D313,020 S * 12/1990 Ichikawa D14/507
5,870,367 A * 2/1999 Yamamori 720/669

D429,230 S * 8/2000 Shiono D14/500
D430,551 S * 9/2000 Shiono D14/500
D445,774 S * 7/2001 Matsuoka D14/507
D467,563 S * 12/2002 Matsuoka D14/500
D491,904 S * 6/2004 Johansson et al. D14/507
D555,167 S * 11/2007 Pieratt et al. D14/492

* cited by examiner

Primary Examiner—Nanda Bondade

(74) *Attorney, Agent, or Firm*—Frank R. Niranjana

(57) **CLAIM**

The ornamental design for a disc player, as shown and described.

DESCRIPTION

FIG. 1 is a top, front, and right side perspective view of a disc player showing our new design;

FIG. 2 is a front elevational view thereof;

FIG. 3 is a rear elevational view thereof;

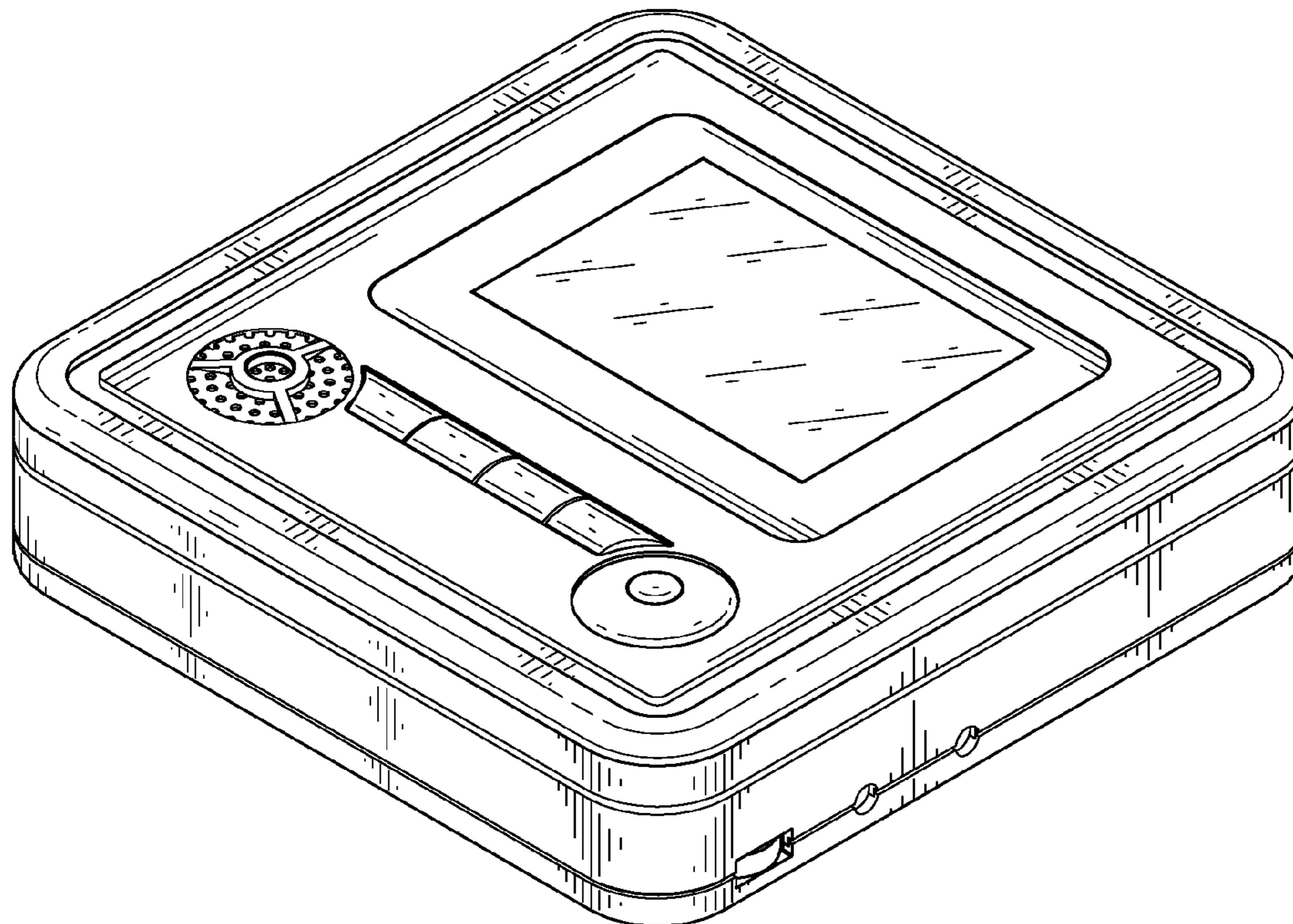
FIG. 4 is a left-side, elevational view thereof;

FIG. 5 is a right-side, elevational view thereof;

FIG. 6 is a top plan view thereof; and,

FIG. 7 is a bottom plan view thereof.

1 Claim, 7 Drawing Sheets



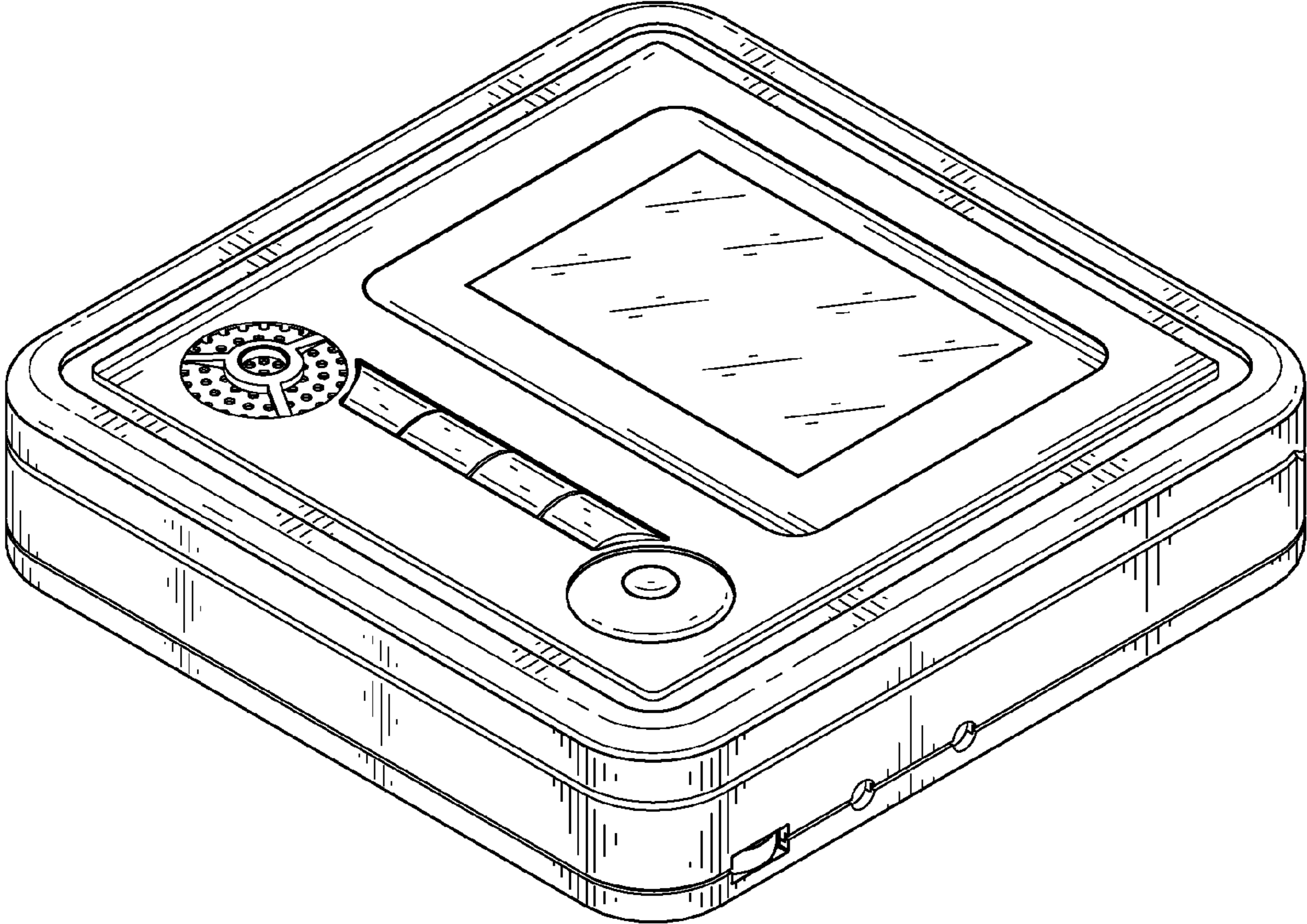


FIG. 1

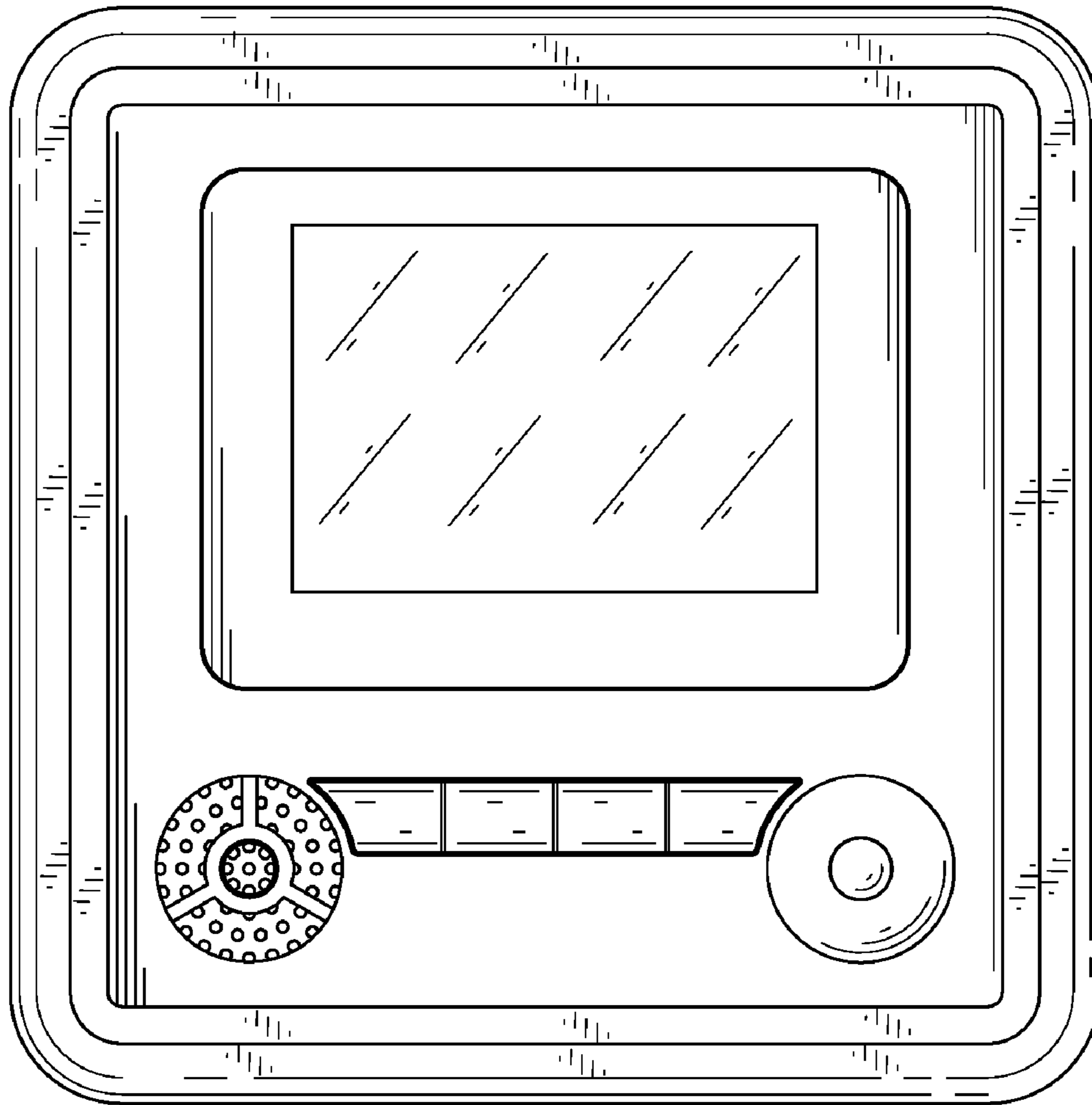


FIG. 2

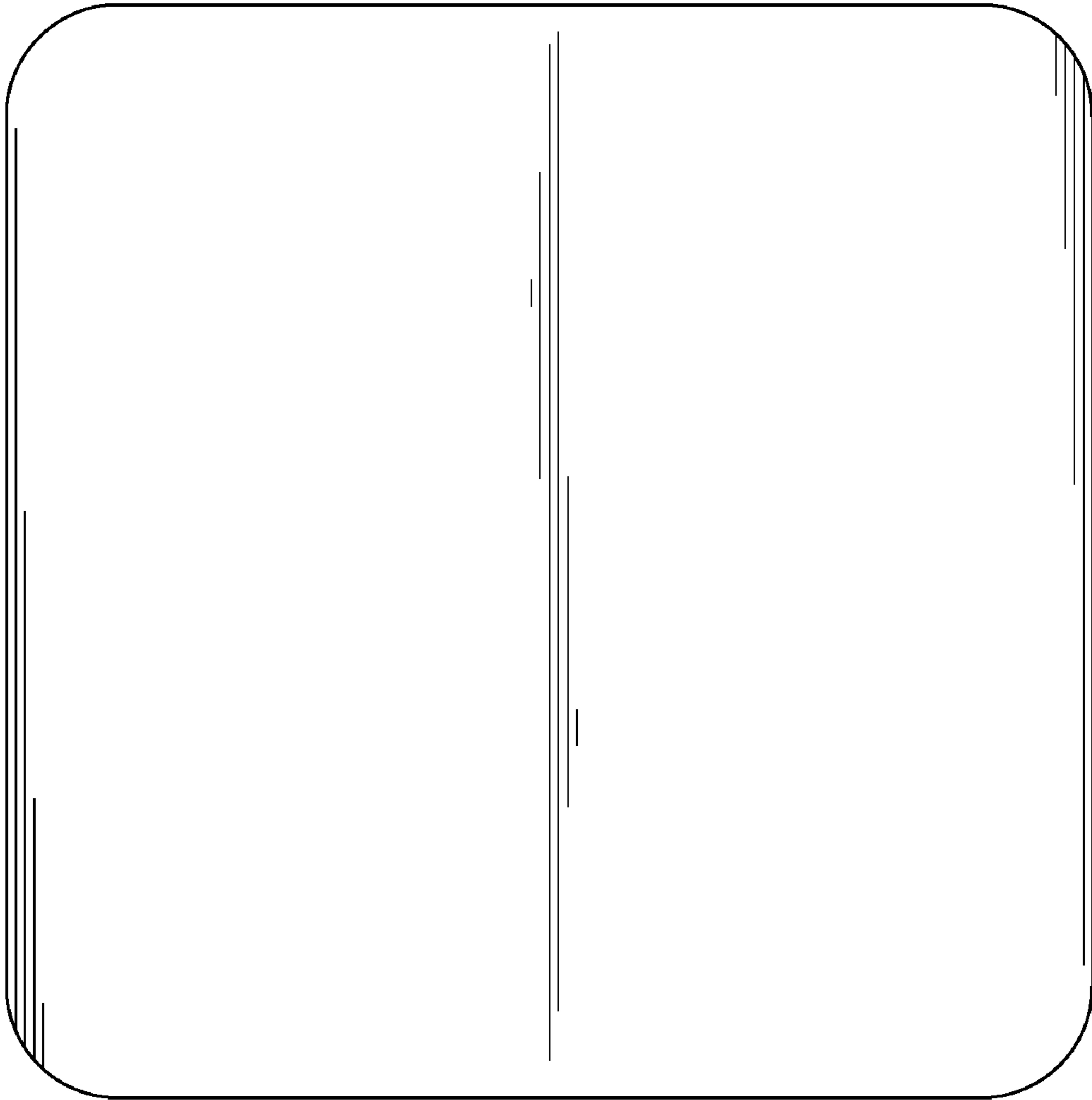


FIG. 3

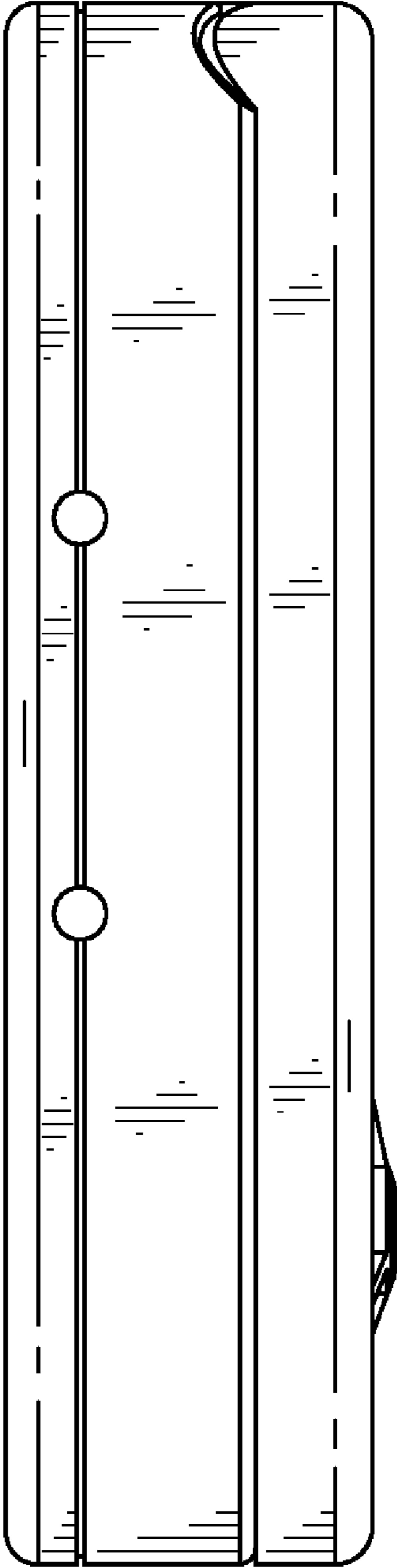


FIG. 4

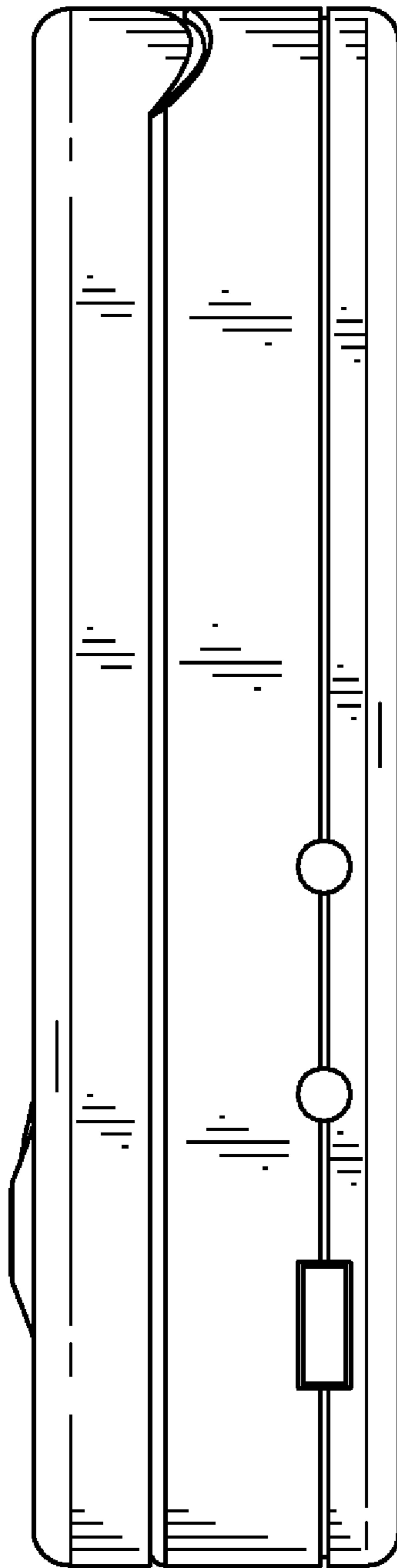


FIG. 5

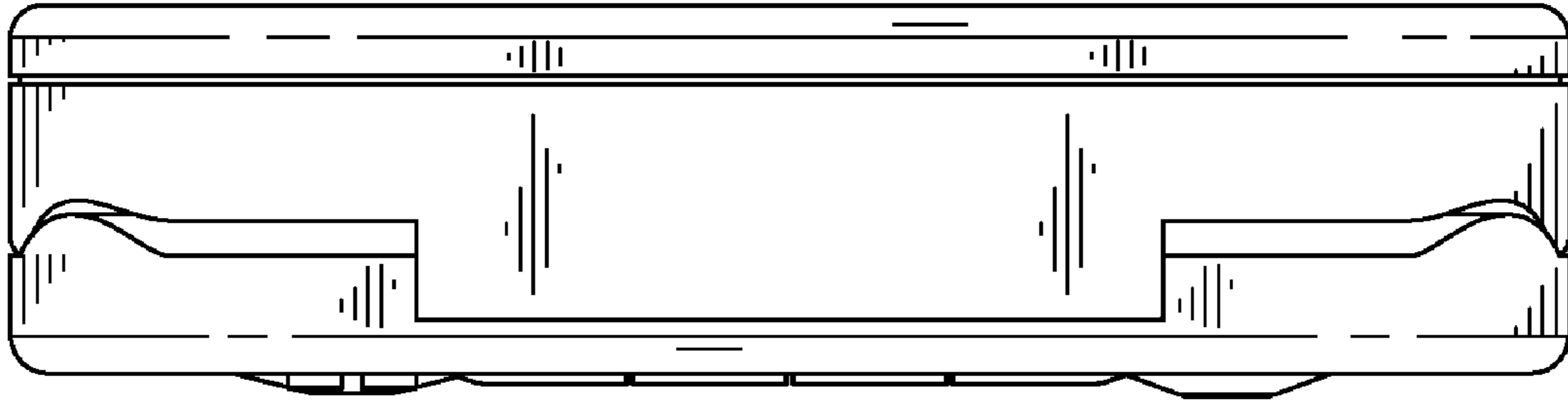


FIG. 6

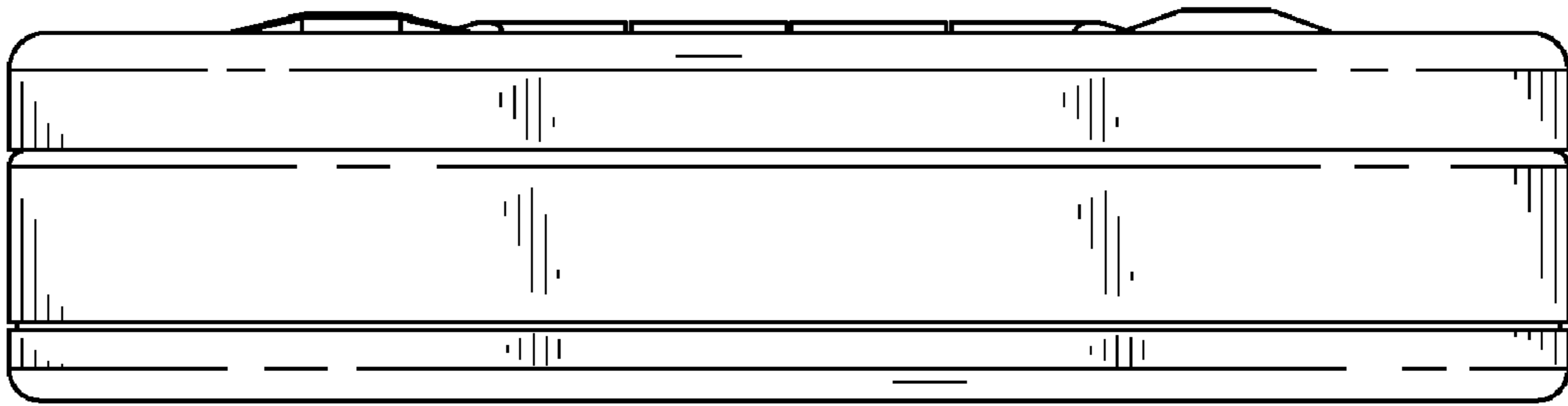


FIG. 7