

US00D594460S

(12) **United States Design Patent**  
**Hsieh et al.**

(10) **Patent No.:** **US D594,460 S**  
(45) **Date of Patent:** **\*\* Jun. 16, 2009**

(54) **USER INTERFACE OF MOUSE**

(75) Inventors: **Fang-Keng Hsieh**, Taipei Hsien (TW);  
**Xiang-Yang Wei**, Shenzhen (CN)

(73) Assignee: **Hon Hai Precision Industry Co., Ltd.**,  
Tu-Cheng, Taipei Hsien (TW)

(\*\*) Term: **14 Years**

(21) Appl. No.: **29/325,961**

(22) Filed: **Oct. 8, 2008**

(30) **Foreign Application Priority Data**

Jul. 16, 2008 (JP) ..... 2008 3 0300977

(51) **LOC (9) Cl.** ..... **14-02**

(52) **U.S. Cl.** ..... **D14/408; D14/406**

(58) **Field of Classification Search** ..... D14/402-410,  
D14/417, 432; D24/155; 200/6 R, 6 A, 302.1,  
200/512-517; 273/148 B; 345/156-167;  
74/471 XY; 463/36-38

See application file for complete search history.

(56) **References Cited**

**U.S. PATENT DOCUMENTS**

5,280,276 A \* 1/1994 Kwok ..... 345/167  
D359,037 S \* 6/1995 Siano, Jr. .... D14/403

D361,557 S \* 8/1995 Siano, Jr. .... D14/403  
D381,013 S \* 7/1997 Allana et al. .... D14/408  
D389,821 S \* 1/1998 Martella ..... D14/408  
5,847,695 A \* 12/1998 Duncan et al. .... 345/163  
D434,038 S \* 11/2000 Ho ..... D14/408  
D442,958 S \* 5/2001 Funakoshi et al. .... D14/402  
D512,064 S \* 11/2005 Li ..... D14/403  
D521,003 S \* 5/2006 Shimizu ..... D14/402  
D521,999 S \* 5/2006 Shimizu ..... D14/402  
D529,504 S \* 10/2006 Hughes ..... D14/406  
D553,621 S \* 10/2007 Shimizu ..... D14/408

\* cited by examiner

*Primary Examiner*—Pamela J Burgess

(74) *Attorney, Agent, or Firm*—Frank R. Niranjan

(57) **CLAIM**

The ornamental design for a user interface of mouse, substantially as shown and described.

**DESCRIPTION**

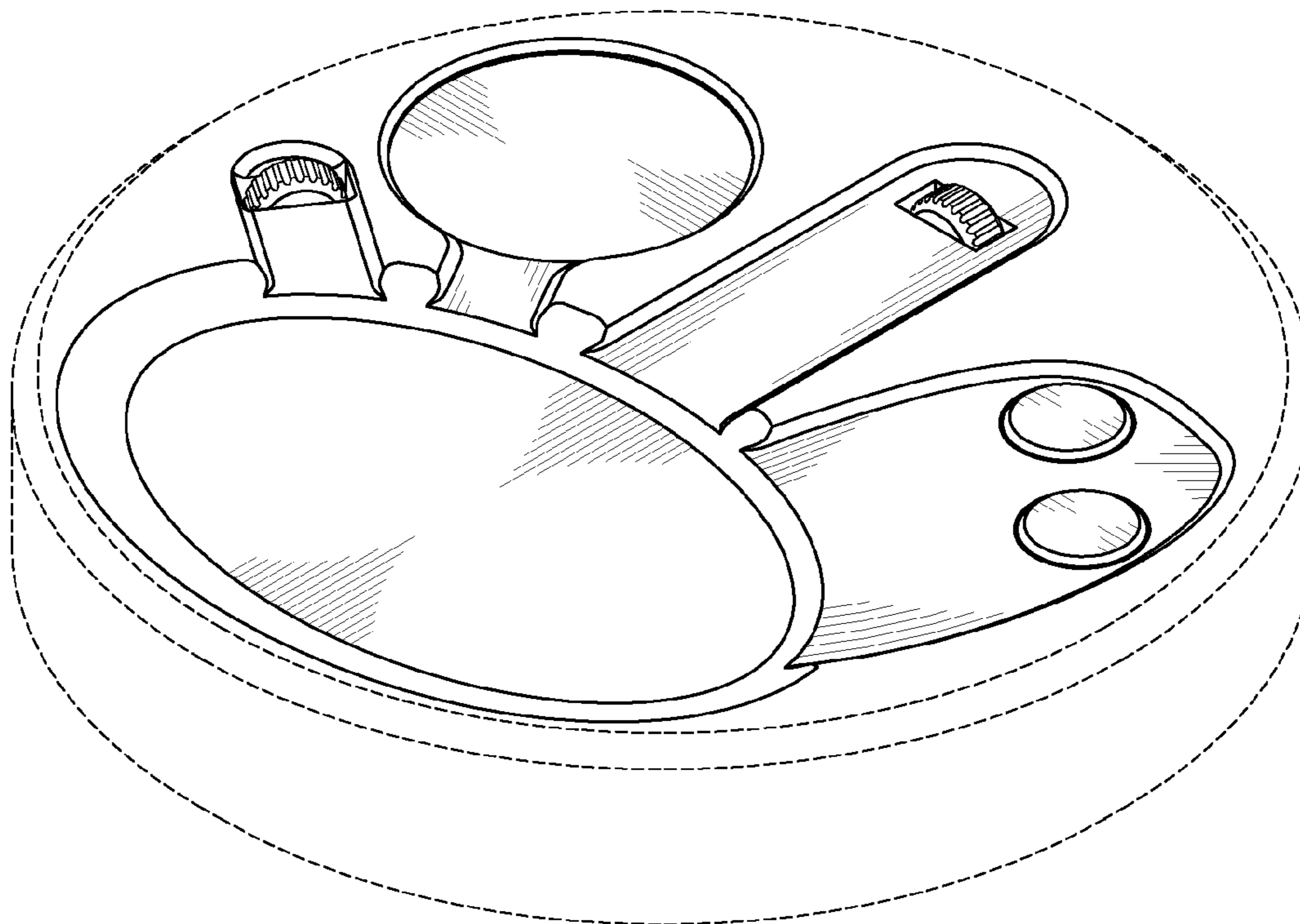
FIG. 1 is a perspective view of a user interface of mouse showing our new design;

FIG. 2 is a top plan view thereof; and,

FIG. 3 is a left side elevational view thereof.

The broken line showing is for the purpose of illustrating and forms no part of the claimed design.

**1 Claim, 3 Drawing Sheets**



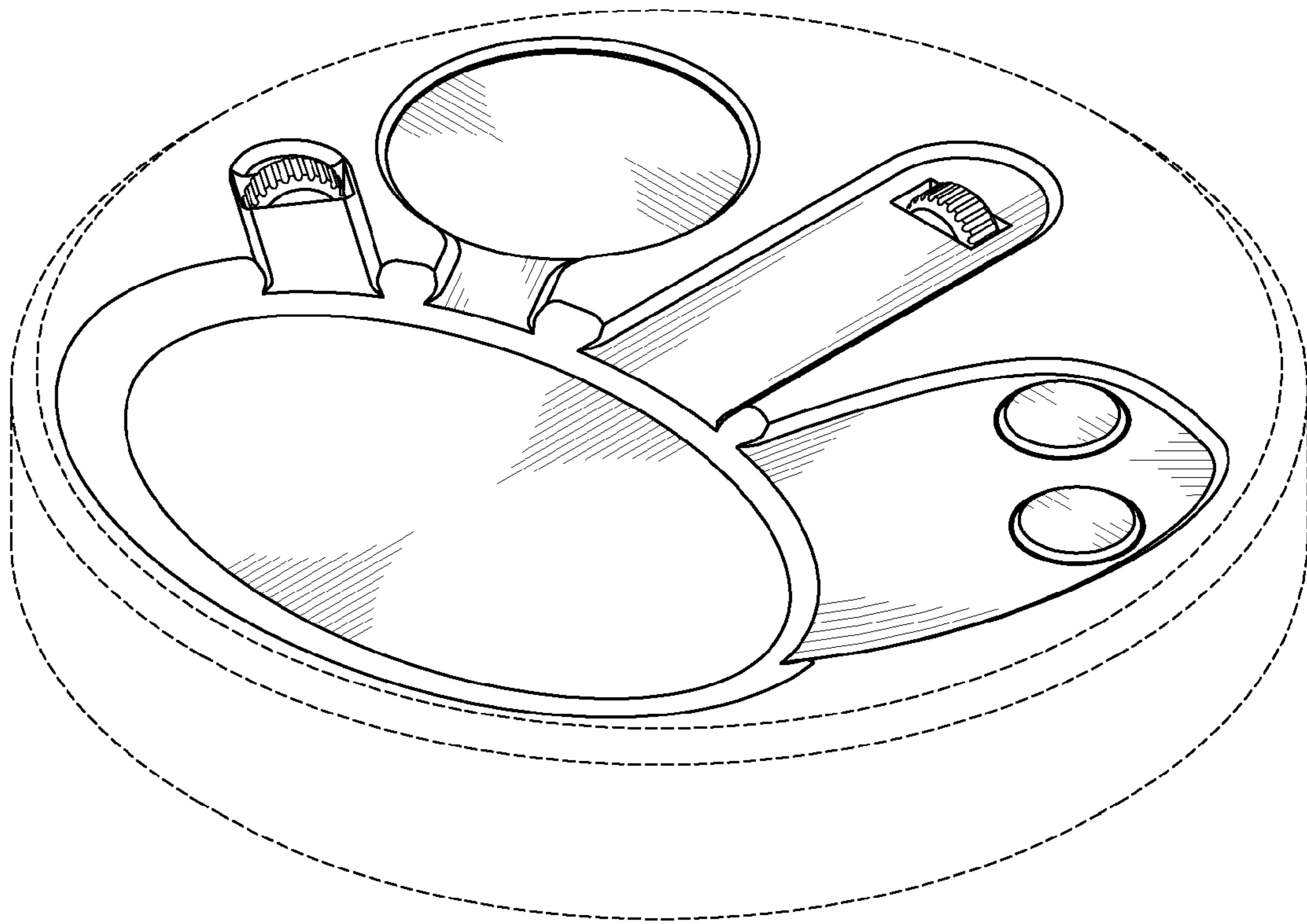


FIG. 1

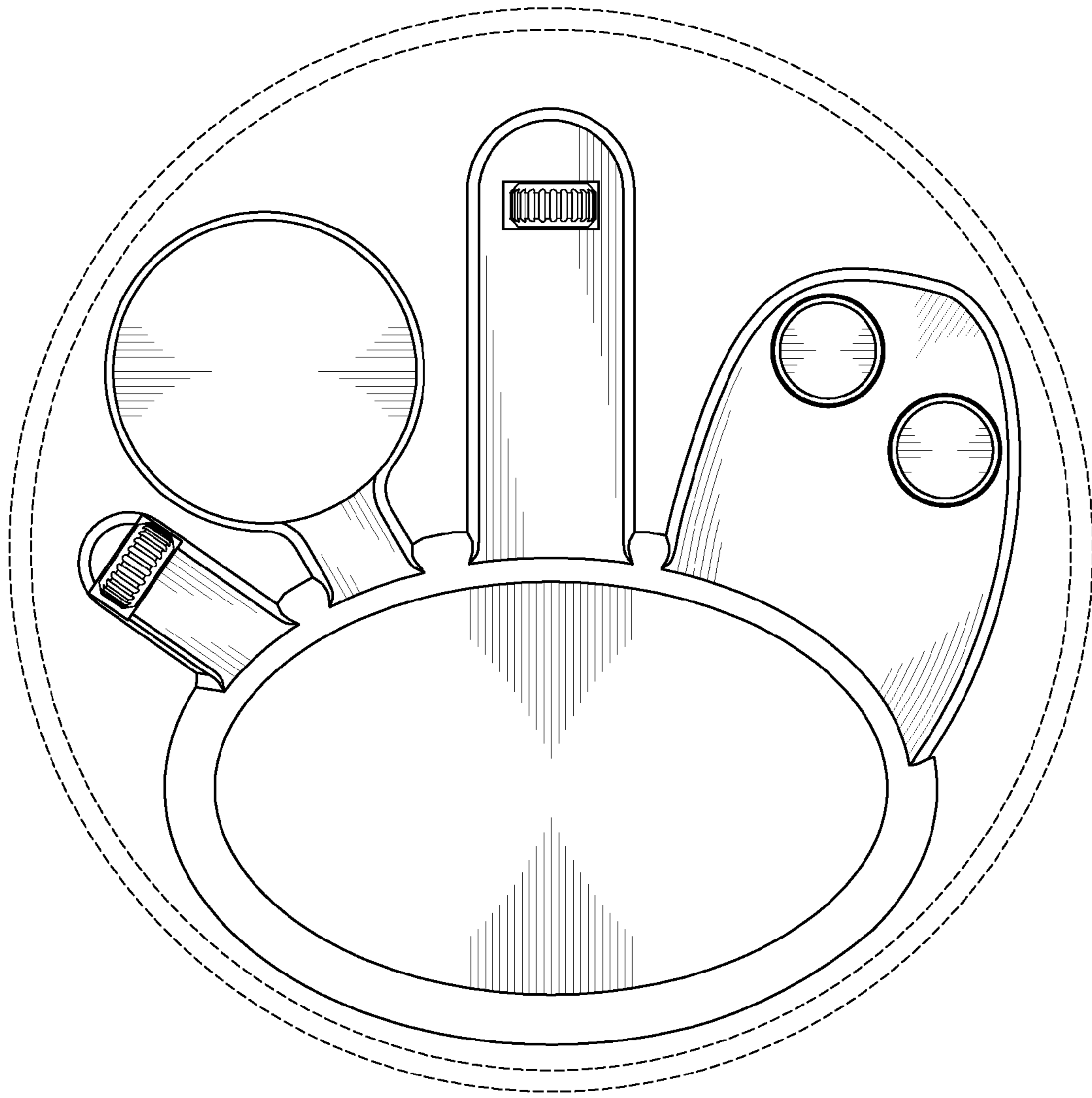


FIG. 2

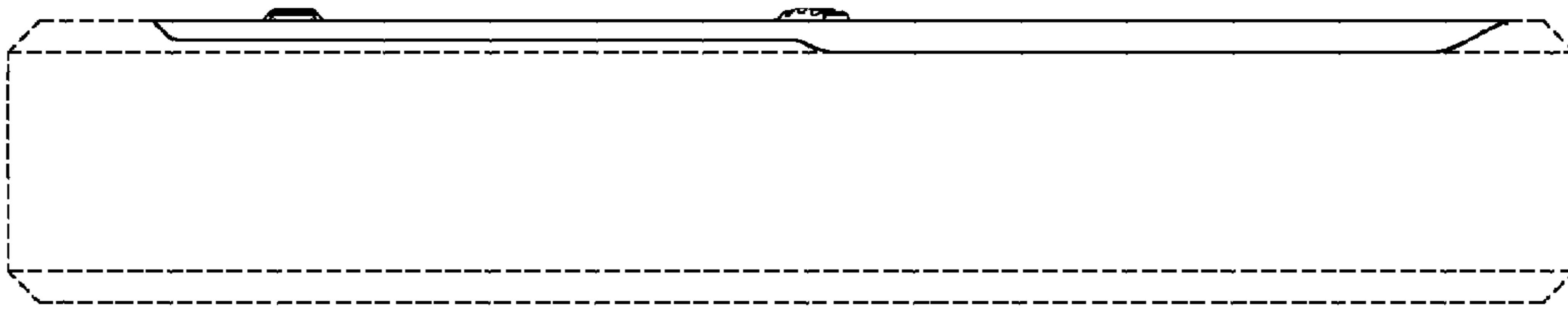


FIG. 3