

US00D594457S

(12) **United States Design Patent**  
**Chen**

(10) **Patent No.:** **US D594,457 S**

(45) **Date of Patent:** **\*\* Jun. 16, 2009**

(54) **DISPLAY**

D546,304 S \* 7/2007 Kim et al. .... D14/126  
D553,587 S \* 10/2007 Kim et al. .... D14/126  
D568,266 S \* 5/2008 Shimamoto .... D14/126

(75) Inventor: **Sung-Chi Chen**, Chung Ho (TW)

(73) Assignee: **AmTran Technology Co., Ltd.**, Chung Ho (TW)

\* cited by examiner

*Primary Examiner*—Freda S Nunn

(74) *Attorney, Agent, or Firm*—Stevens & Showalter LLP

(\*\*) Term: **14 Years**

(21) Appl. No.: **29/320,912**

(57) **CLAIM**

(22) Filed: **Jul. 8, 2008**

The ornamental design for a “display,” as shown and described.

(51) **LOC (9) Cl.** ..... **14-02**

(52) **U.S. Cl.** ..... **D14/374**

(58) **Field of Classification Search** ..... D14/371–376,  
D14/125–129, 336, 341; 248/917–924, 121,  
248/278.1; 341/12; 345/104, 156, 173, 174,  
345/901–905; 348/180, 184, 325, 739, 837;  
361/680–686, 679.23; 349/1, 2, 11, 58

See application file for complete search history.

**DESCRIPTION**

FIG. 1 is a perspective view of display showing my new design;

FIG. 2 is a front view thereof;

FIG. 3 is a rear view thereof;

FIG. 4 is a left side elevational view thereof;

FIG. 5 is a right side elevational view thereof;

FIG. 6 is a top view thereof;

FIG. 7 is a bottom view thereof; and,

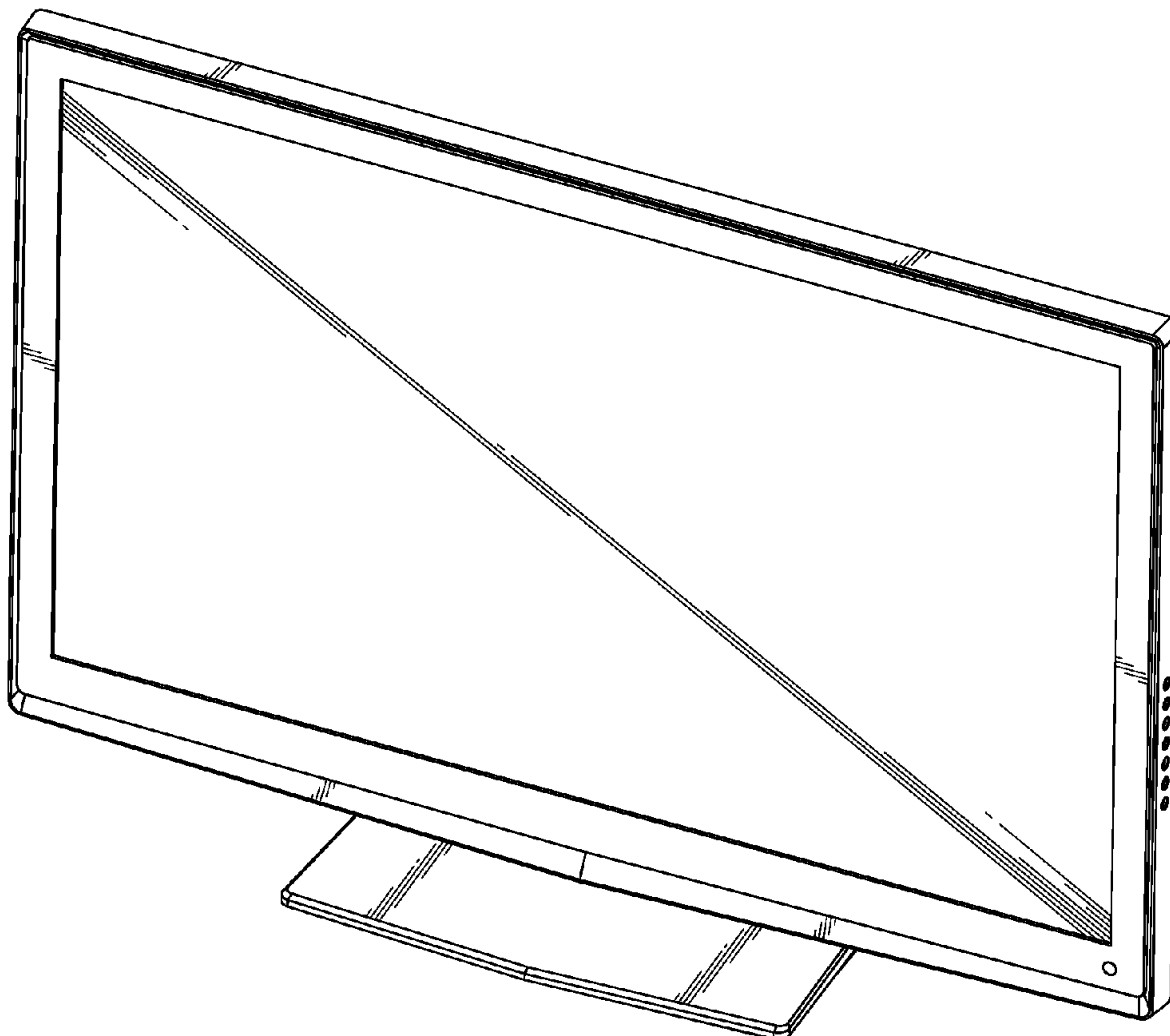
FIG. 8 is another perspective view of display showing my new design.

(56) **References Cited**

**U.S. PATENT DOCUMENTS**

D417,659 S \* 12/1999 Takemasa ..... D14/374  
D422,576 S \* 4/2000 Chuo et al. .... D14/375  
6,807,051 B2 \* 10/2004 Takahashi ..... 361/679.23  
D528,114 S \* 9/2006 Kawa et al. .... D14/375  
D545,315 S \* 6/2007 Kim ..... D14/375

**1 Claim, 6 Drawing Sheets**



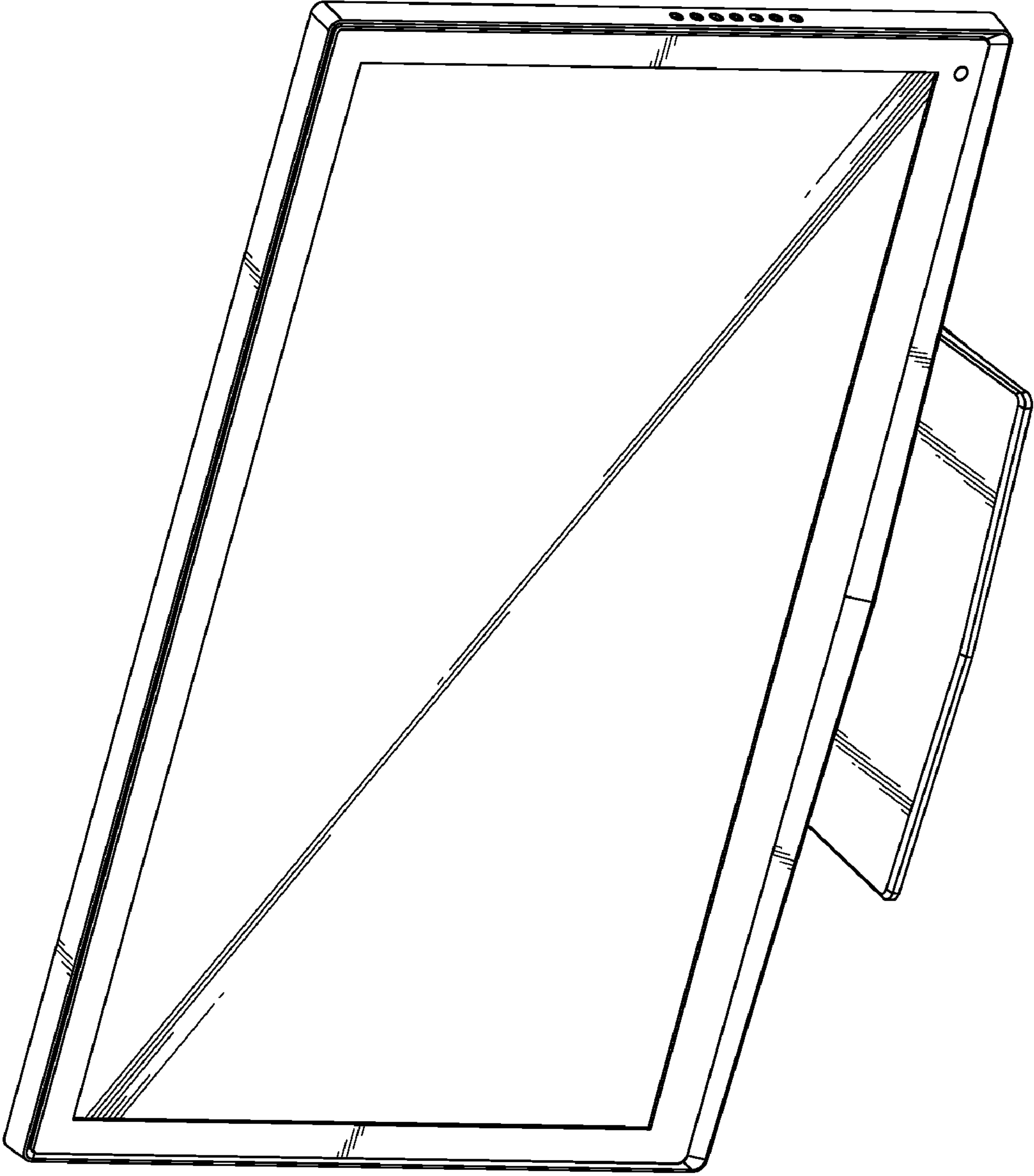


FIG.1

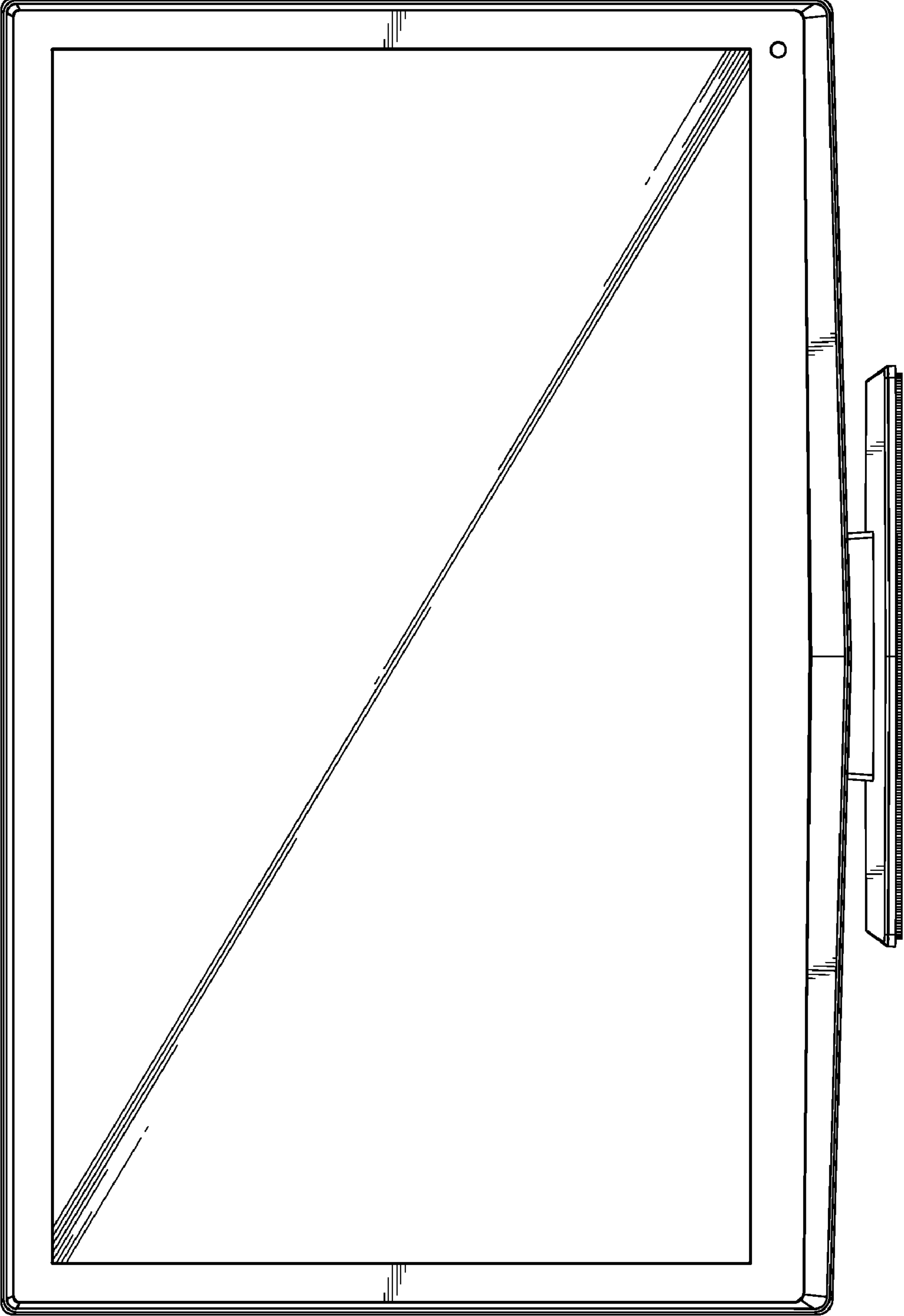


FIG.2

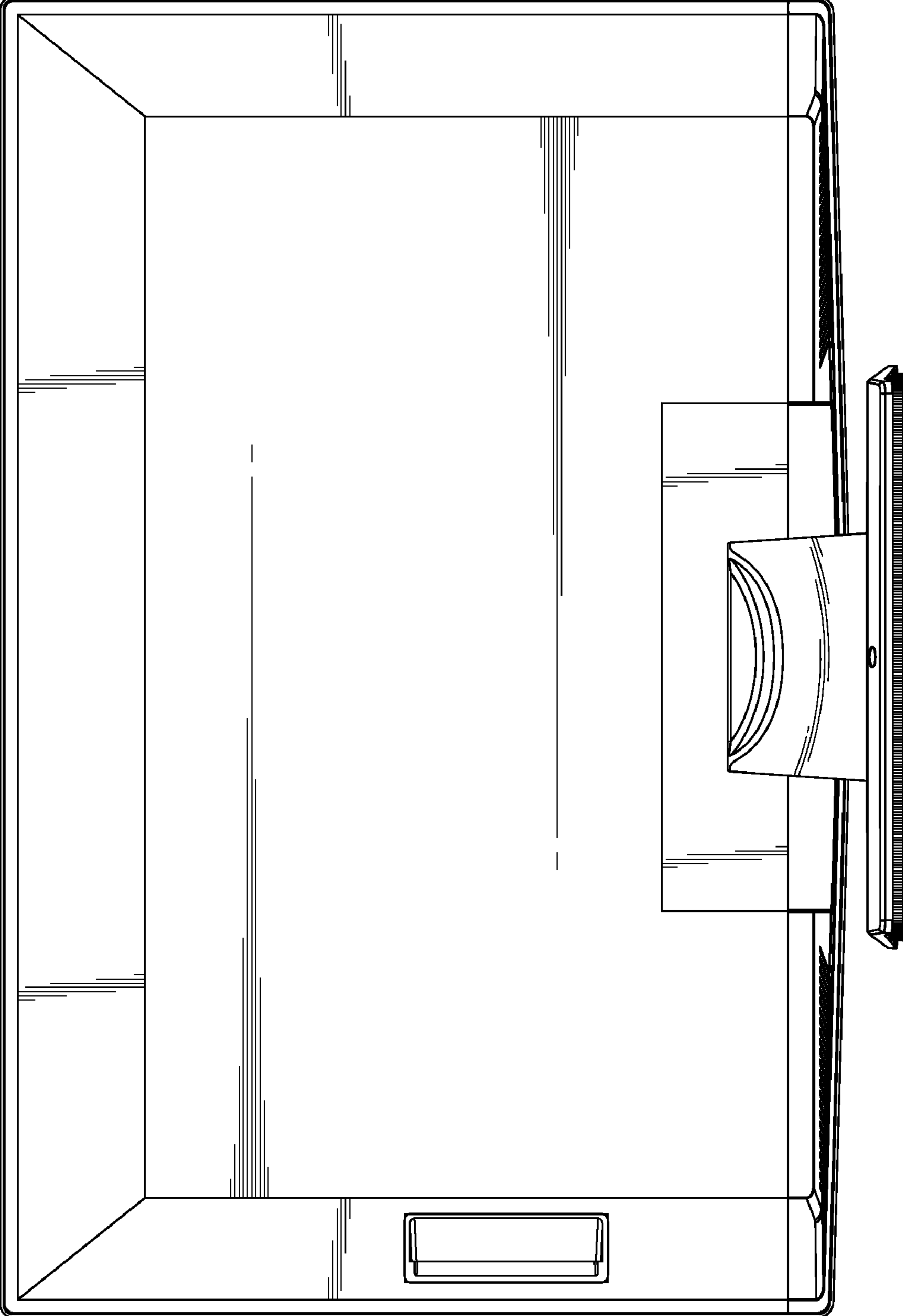


FIG.3

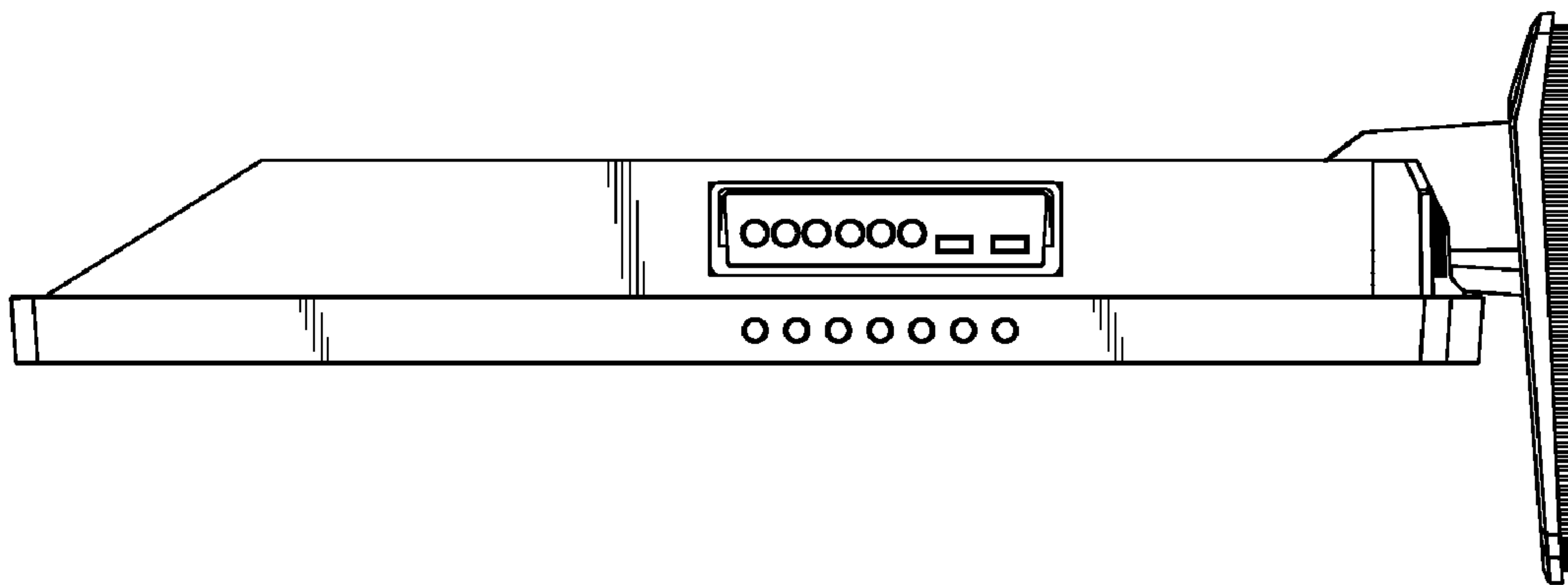


FIG. 5

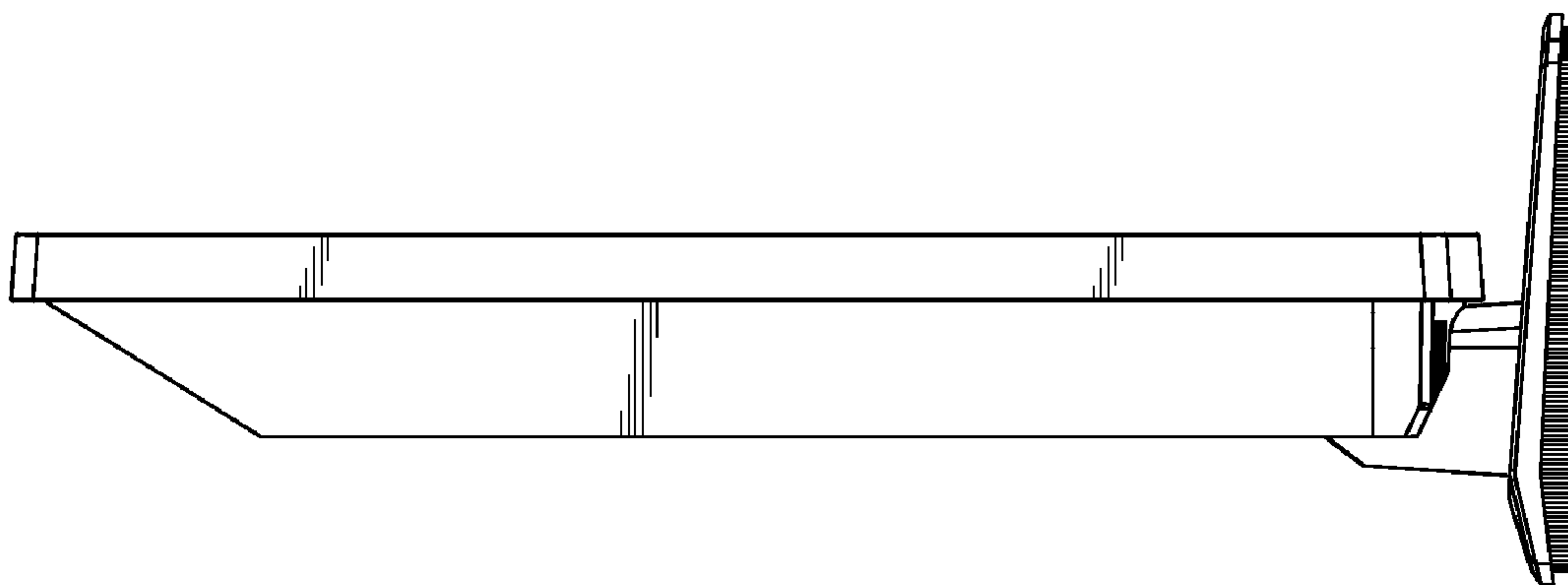


FIG. 4

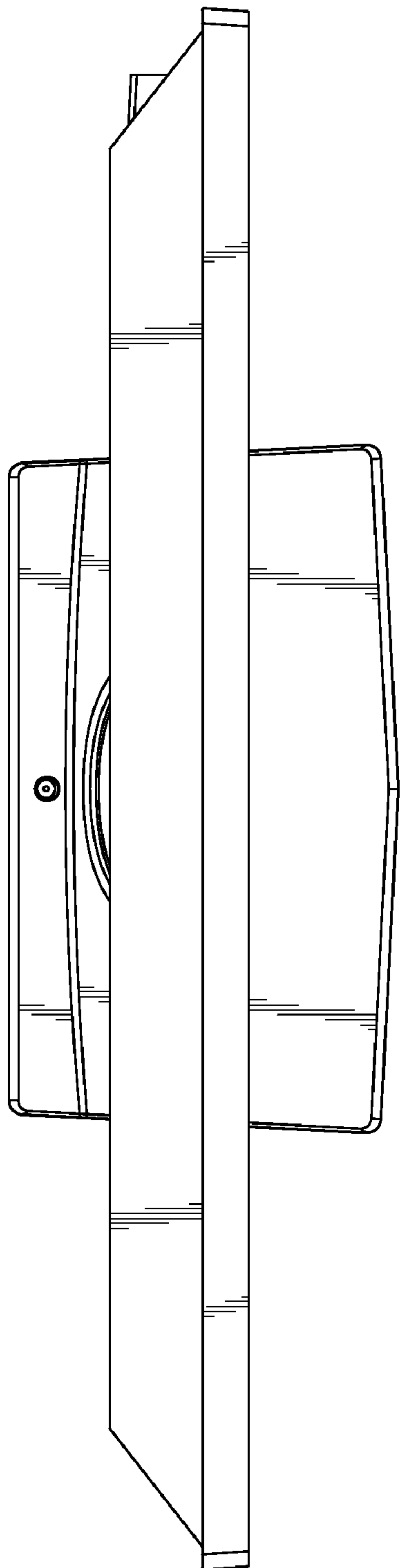


FIG. 6



FIG. 7

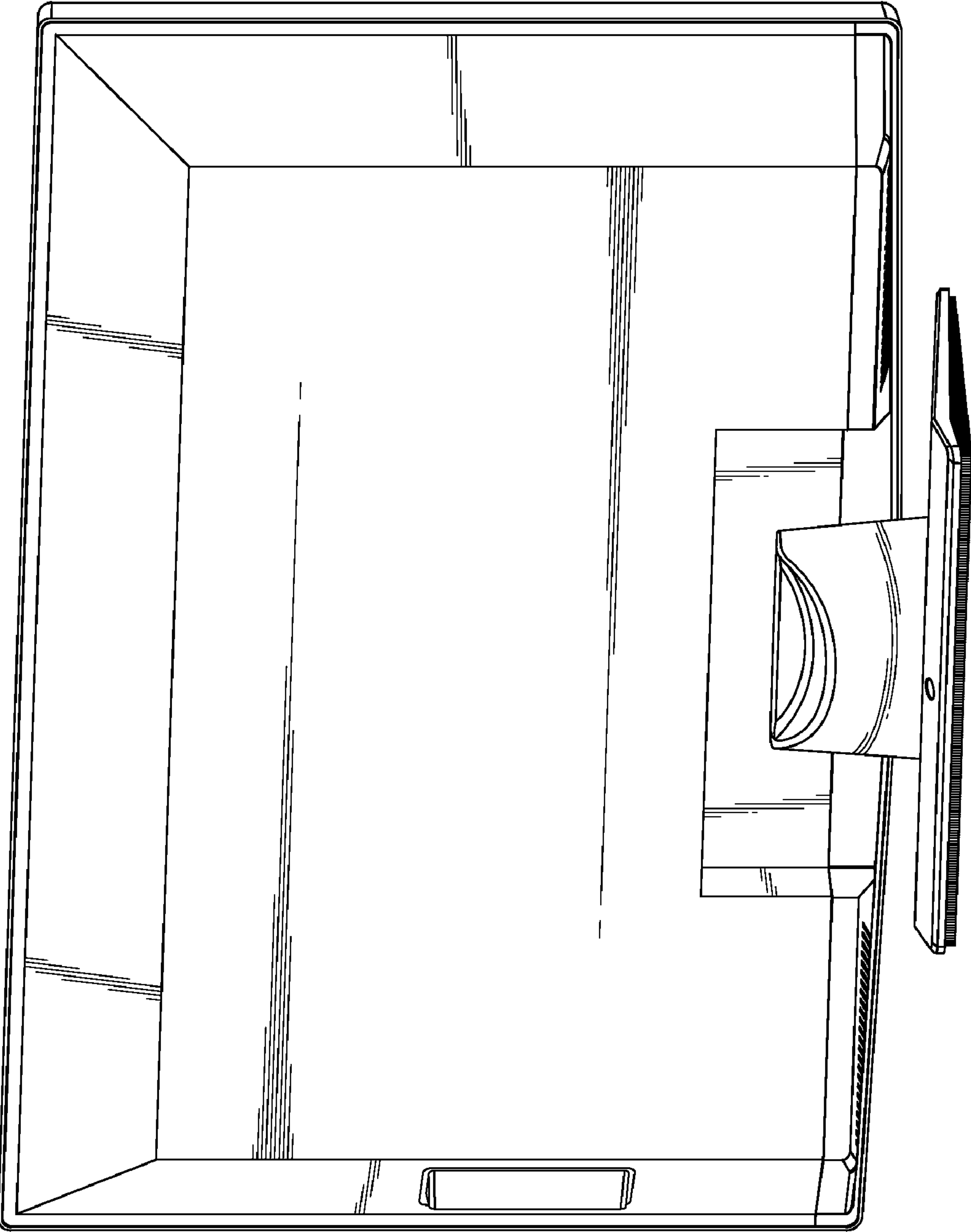


FIG.8