



US00D594456S

(12) **United States Design Patent**
Huang et al.

(10) **Patent No.:** **US D594,456 S**
(45) **Date of Patent:** **** Jun. 16, 2009**

(54) **SIGNAL CONVERTOR**

(75) Inventors: **Ming-Chih Huang**, Taichung (TW);
Chien-Wei Yang, Taichung (TW)

(73) Assignee: **Hiwin Mikrosystem Corp.**, Taichung (TW)

(**) Term: **14 Years**

(21) Appl. No.: **29/303,098**

(22) Filed: **Jan. 31, 2008**

(51) **LOC (9) Cl.** **14-02**

(52) **U.S. Cl.** **D14/358**

(58) **Field of Classification Search** D14/137,
D14/156, 167, 230, 240, 242, 348, 356, 358,
D14/384–385, 432–435; 348/711–713, 795,
348/840, 846; 361/658–686; 365/63; 455/90.2,
455/90.3, 91, 128, 269, 344, 347; 439/139–141,
439/144–147, 518, 638; 710/62, 74
See application file for complete search history.

(56) **References Cited**

U.S. PATENT DOCUMENTS

D464,965 S * 10/2002 Wang et al. D14/358
D465,488 S * 11/2002 Hillenmayer D14/358

D566,710 S * 4/2008 Chun et al. D14/358
D574,823 S * 8/2008 Wung D14/357
D580,933 S * 11/2008 Ju et al. D14/358
D583,367 S * 12/2008 Chen D14/358
D585,060 S * 1/2009 Han D14/358

* cited by examiner

Primary Examiner—Brian N Vinson
(74) *Attorney, Agent, or Firm*—Banger Shia

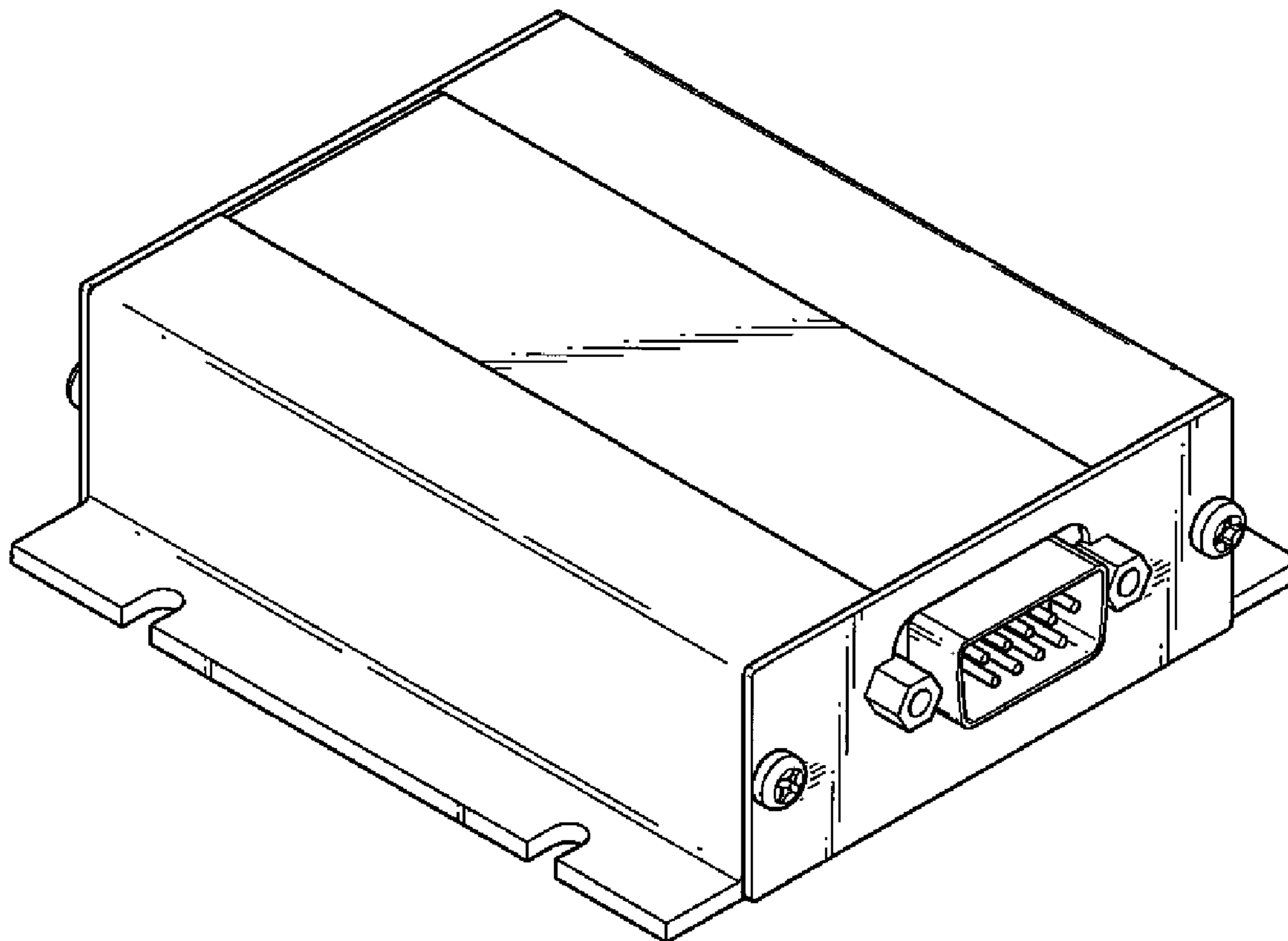
(57) **CLAIM**

The ornamental design for a signal convertor, as shown and described.

DESCRIPTION

FIG. 1 is a perspective view of a signal convertor showing my new design;
FIG. 2 is a front elevational view thereof;
FIG. 3 is a rear elevational view thereof,
FIG. 4 is a left side elevational view thereof,
FIG. 5 is a right side elevational view thereof,
FIG. 6 is a top plan view thereof; and,
FIG. 7 is a bottom plan view thereof.

1 Claim, 5 Drawing Sheets



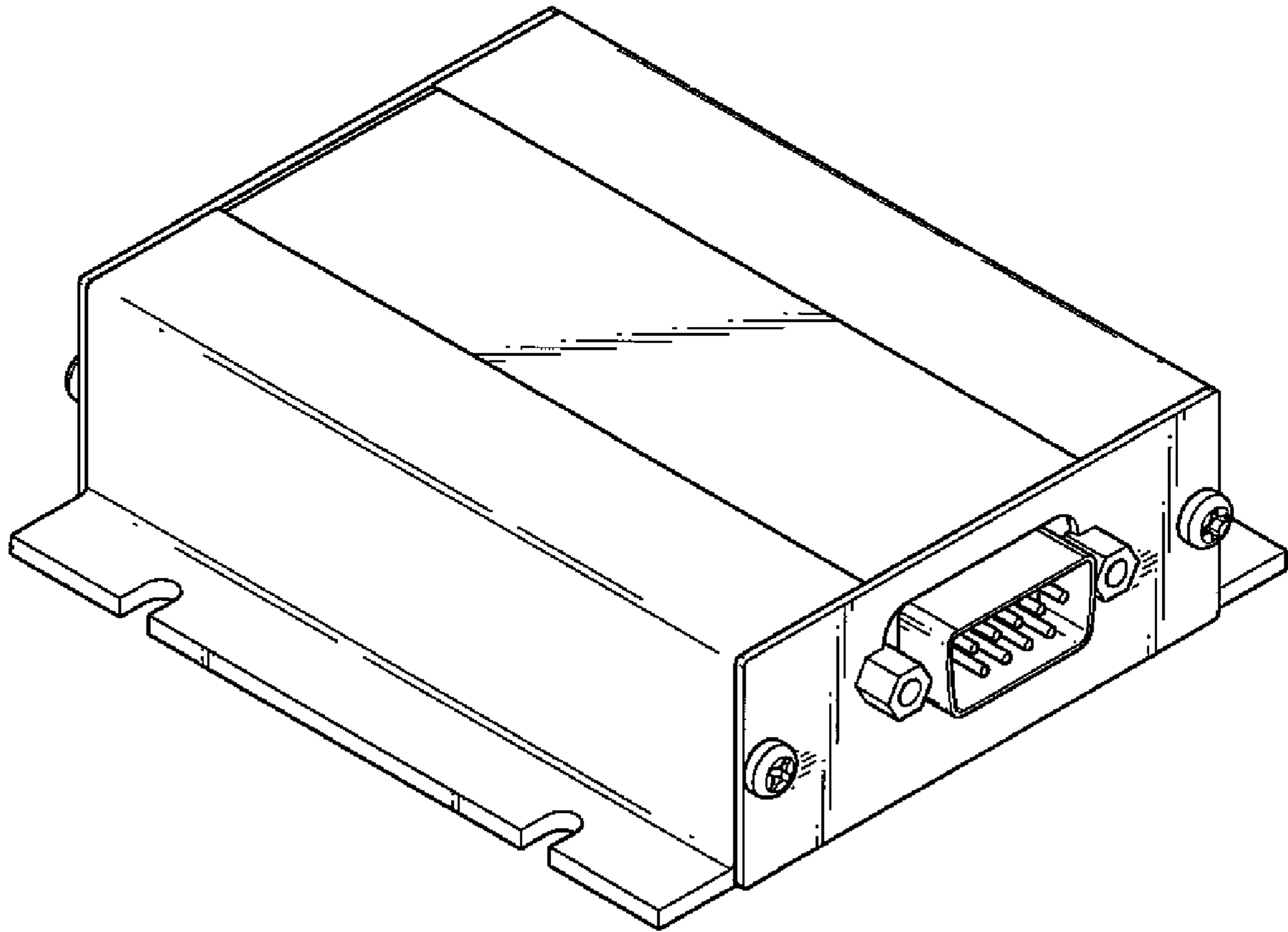


FIG. 1

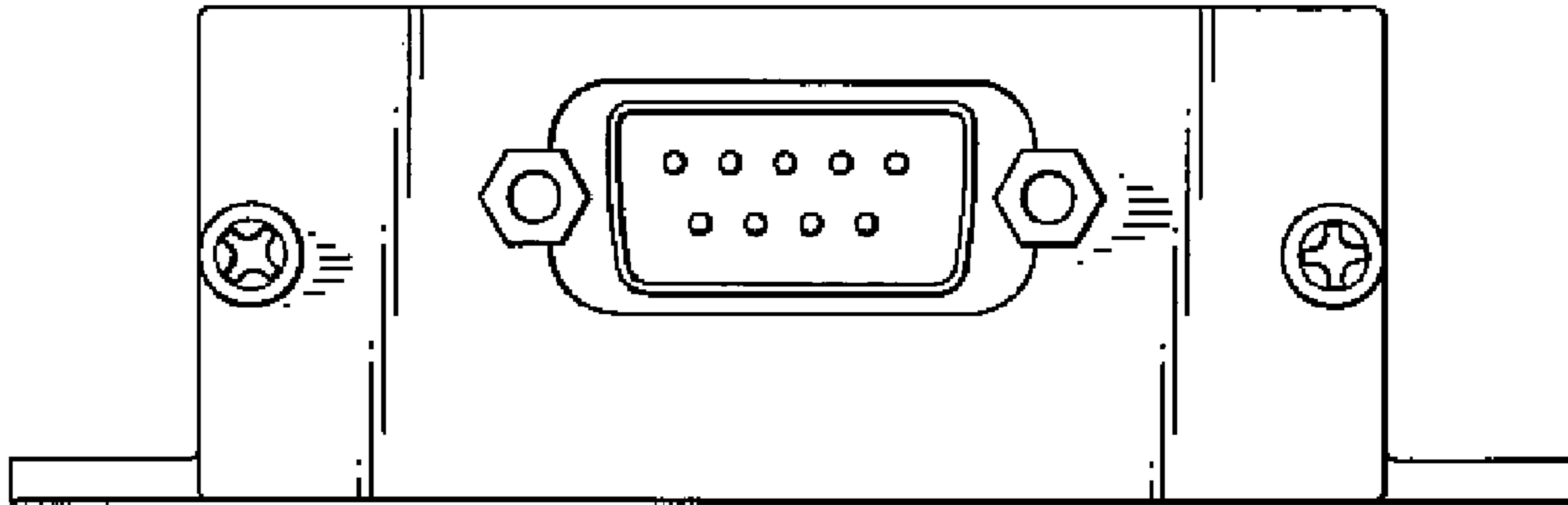


FIG. 2

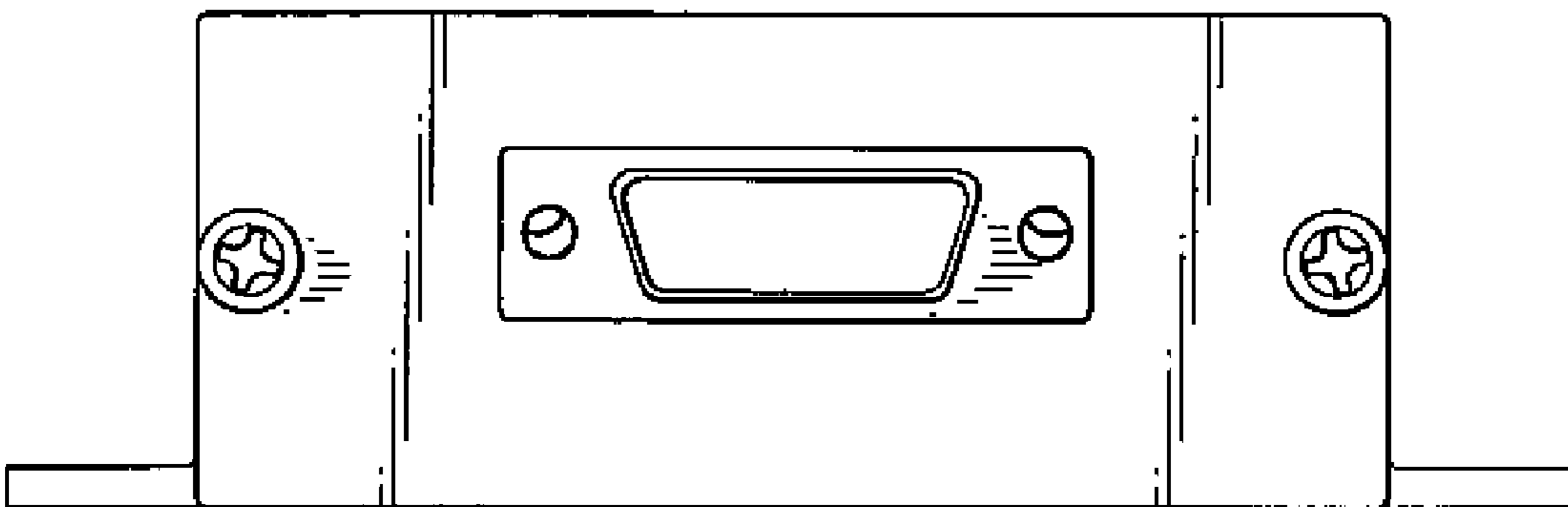


FIG. 3



FIG. 4

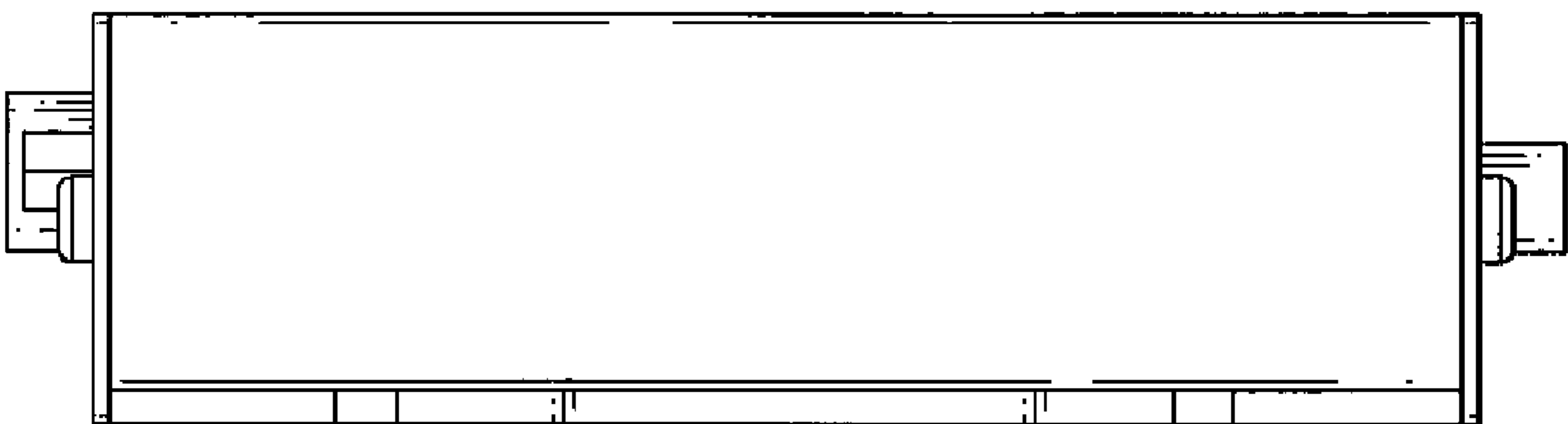


FIG. 5

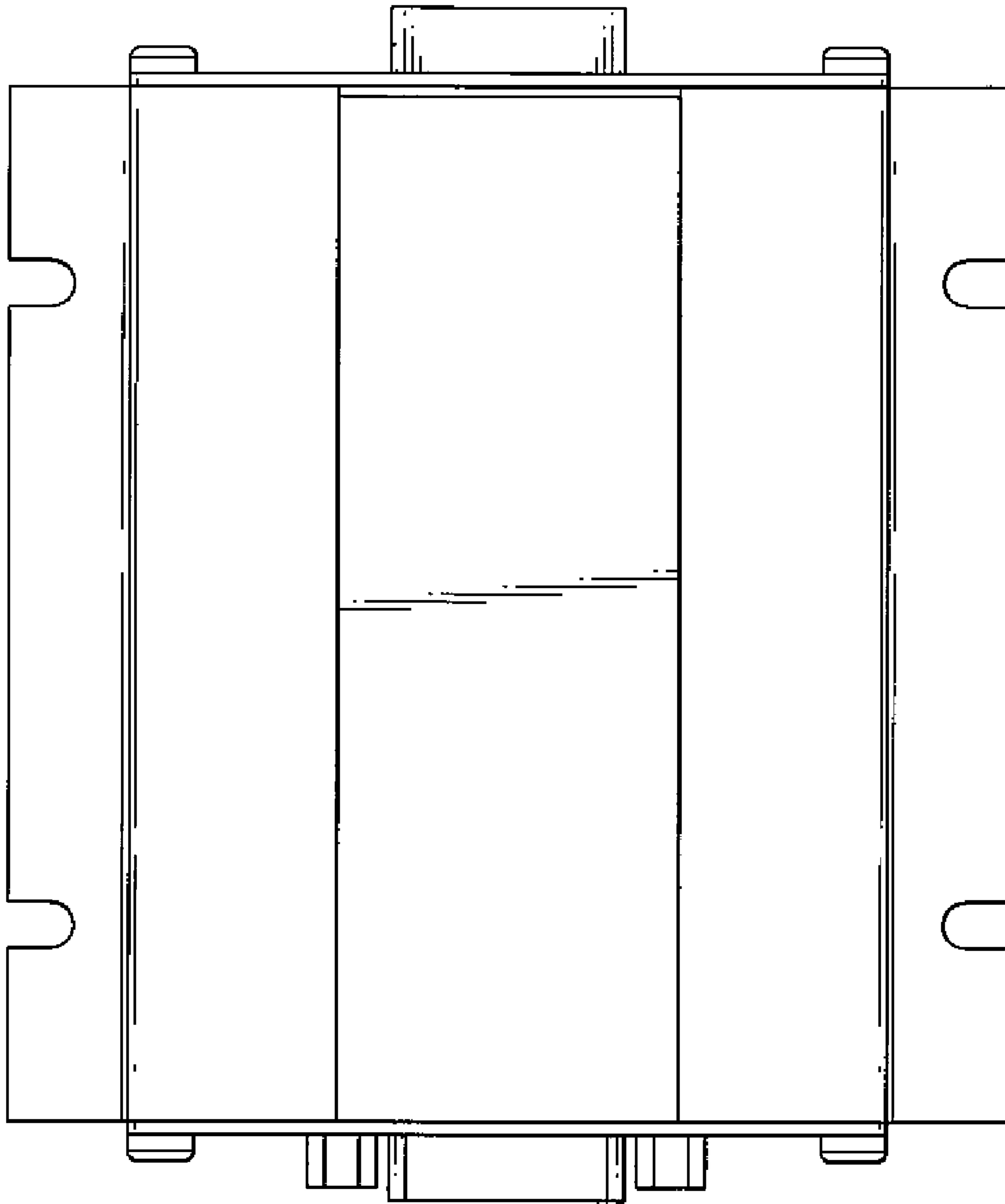


FIG. 6

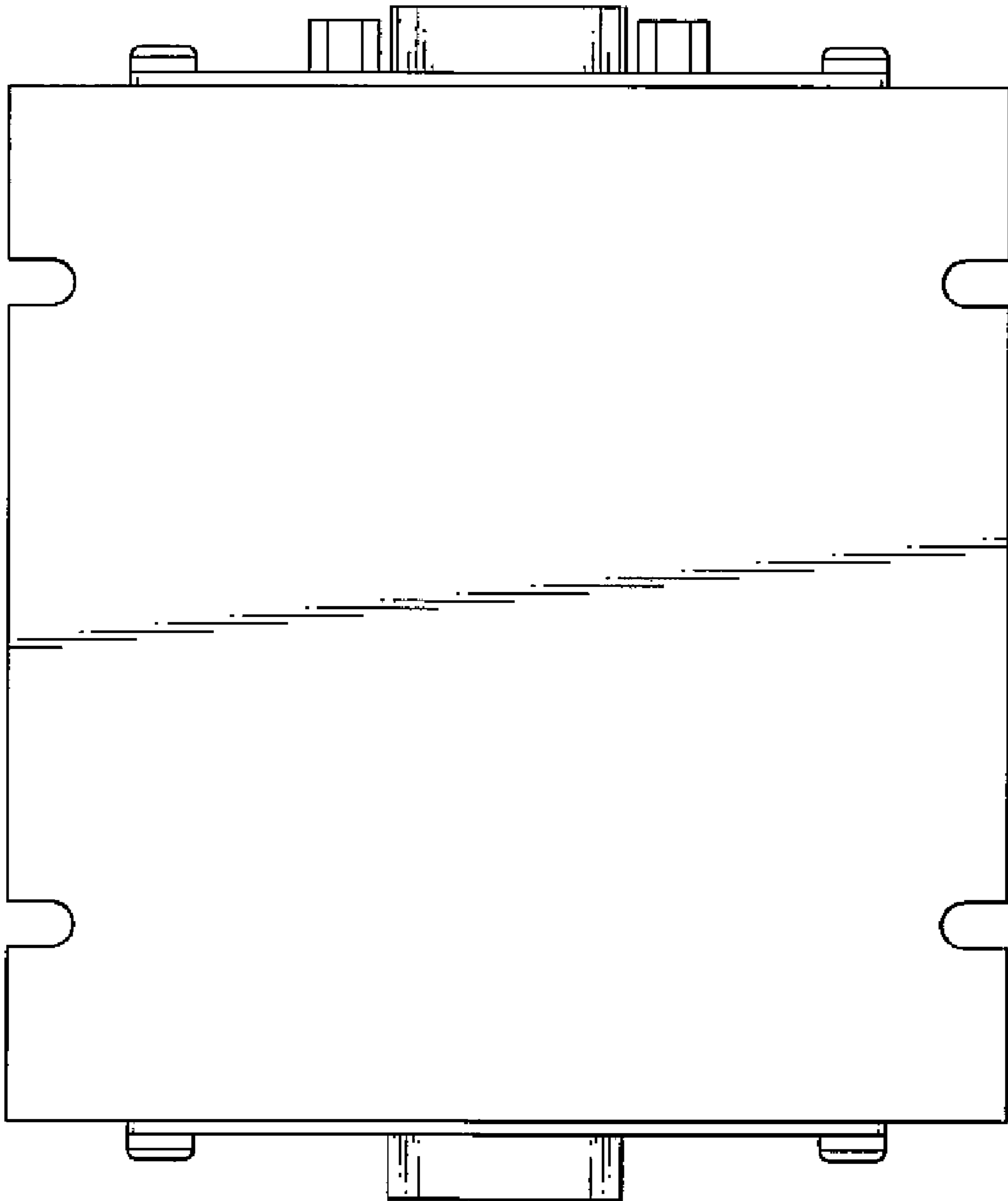


FIG. 7