



US00D594455S

(12) **United States Design Patent**
Yang et al.

(10) **Patent No.:** **US D594,455 S**
(45) **Date of Patent:** **** Jun. 16, 2009**

(54) **REMOVABLE KEY TO BE USED TO UNLOCK AN OPTICAL TRANSCEIVER MODULE**

5,329,604 A * 7/1994 Baldwin et al. 385/92
(Continued)

(75) Inventors: **Zhong Yang**, Chengdu Sichuan Province (CN); **Zili Wang**, Chengdu Sichuan Province (CN); **Linhua Zhang**, Chengdu Sichuan Province (CN); **Dongsheng Li**, Chengdu Sichuan Province (CN)

Primary Examiner—Brian N Vinson
(74) *Attorney, Agent, or Firm*—Fish & Richardson P.C.

(73) Assignee: **Source Photonics Santa Clara, Inc.**, Chatsworth, CA (US)

(57) **CLAIM**

The ornamental design for a removable key to be used to unlock an optical transceiver module, as shown and described.

(**) Term: **14 Years**

DESCRIPTION

(21) Appl. No.: **29/250,639**

FIG. 1 is a perspective view of an optical transceiver and a removable key to be used to unlock the optical transceiver, wherein the removable key is separate from the optical transceiver.

(22) Filed: **Nov. 27, 2006**

(51) **LOC (9) Cl.** **14-02**

(52) **U.S. Cl.** **D14/358**

(58) **Field of Classification Search** D14/356, D14/358, 432, 433, 137, 138, 140, 155, 188, D14/217, 240, 299; D13/110, 184; 439/488, 439/490, 901, 577; 379/1.03, 38, 39, 42, 379/67.1, 88.17, 90.01, 93.01, 93.17, 142.07, 379/219, 220.01, 221.14, 221.15, 387.01, 379/397, 399.01, 419, 428.01, 457; 455/3.01, 455/3.05, 3.06, 426.1, 500, 73, 74, 556.1, 455/561, 575.1, 89, 91, 95, 130, 132, 344, 455/347, 899, FOR. 254; 385/53, 55, 76, 385/92

FIGS. 2, 3 and 4 are enlarged views of area 2, 3 and 4, respectively, in FIG. 1.

FIG. 5 is a perspective view of the removable key and the optical transceiver wherein the removable key is locked to the optical transceiver.

See application file for complete search history.

FIG. 6 is a top view of the removable key and the optical transceiver wherein the removable key is locked to the optical transceiver.

(56) **References Cited**

U.S. PATENT DOCUMENTS

5,104,243 A * 4/1992 Harding 439/577
D328,591 S * 8/1992 Yokoi et al. D13/184
D344,491 S * 2/1994 Nakamura D13/184
5,293,581 A * 3/1994 DiMarco 385/76

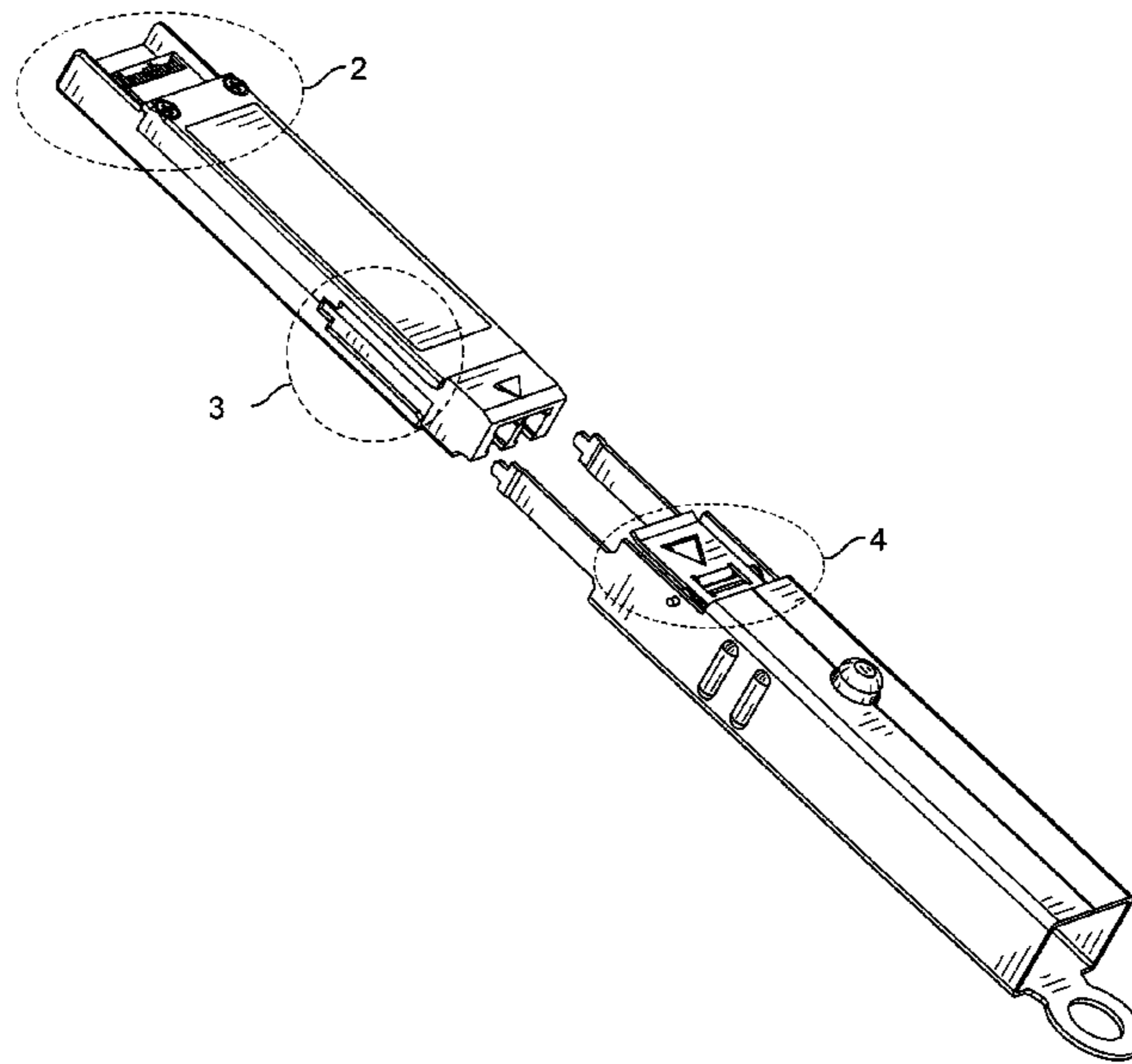
FIG. 7 is the top view including broken-away views of the removable key and the optical transceiver wherein the removable key is locked to the optical transceiver.

FIG. 8 is an enlarged view through one of the broken-away portions in FIG. 7.

FIG. 9 is a side view of the removable key and the optical transceiver wherein the removable key is locked to the optical transceiver; and,

FIG. 10 is a perspective view of the removable key to be used to unlock the optical transceiver.

1 Claim, 7 Drawing Sheets



US D594,455 S

Page 2

U.S. PATENT DOCUMENTS							
				2003/0027440	A1	2/2003	Birch
				2003/0044121	A1	3/2003	Shang
				2003/0049000	A1	3/2003	Wu
				2003/0053762	A1	3/2003	Cheng
				2003/0072137	A1	4/2003	Yen
				2003/0072540	A1	4/2003	Huang
				2003/0156801	A1	8/2003	Hwang
				2003/0194190	A1	10/2003	Huang
				2003/0206403	A1	11/2003	Zaremba
				2003/0214789	A1	11/2003	Medina
				2004/0008954	A1	1/2004	Shaw
				2004/0029417	A1	2/2004	Engel
				2004/0161207	A1	8/2004	Chiu
							* cited by examiner
5,588,080	A	12/1996	Kawamura				
6,371,663	B1	4/2002	Kneier				
6,430,053	B1	8/2002	Peterson				
D467,544	S *	12/2002	Hwang	D13/110			
6,687,635	B2	2/2004	Horne				
6,700,654	B2	3/2004	Gerrish				
6,741,622	B2	5/2004	Otsuka				
6,801,454	B2	10/2004	Wang				
6,809,300	B2	10/2004	Wakui				
D513,252	S *	12/2005	Wang et al.	D14/358			
D566,651	S *	4/2008	Chan et al.	D13/184			
2002/0093796	A1	7/2002	Medina				

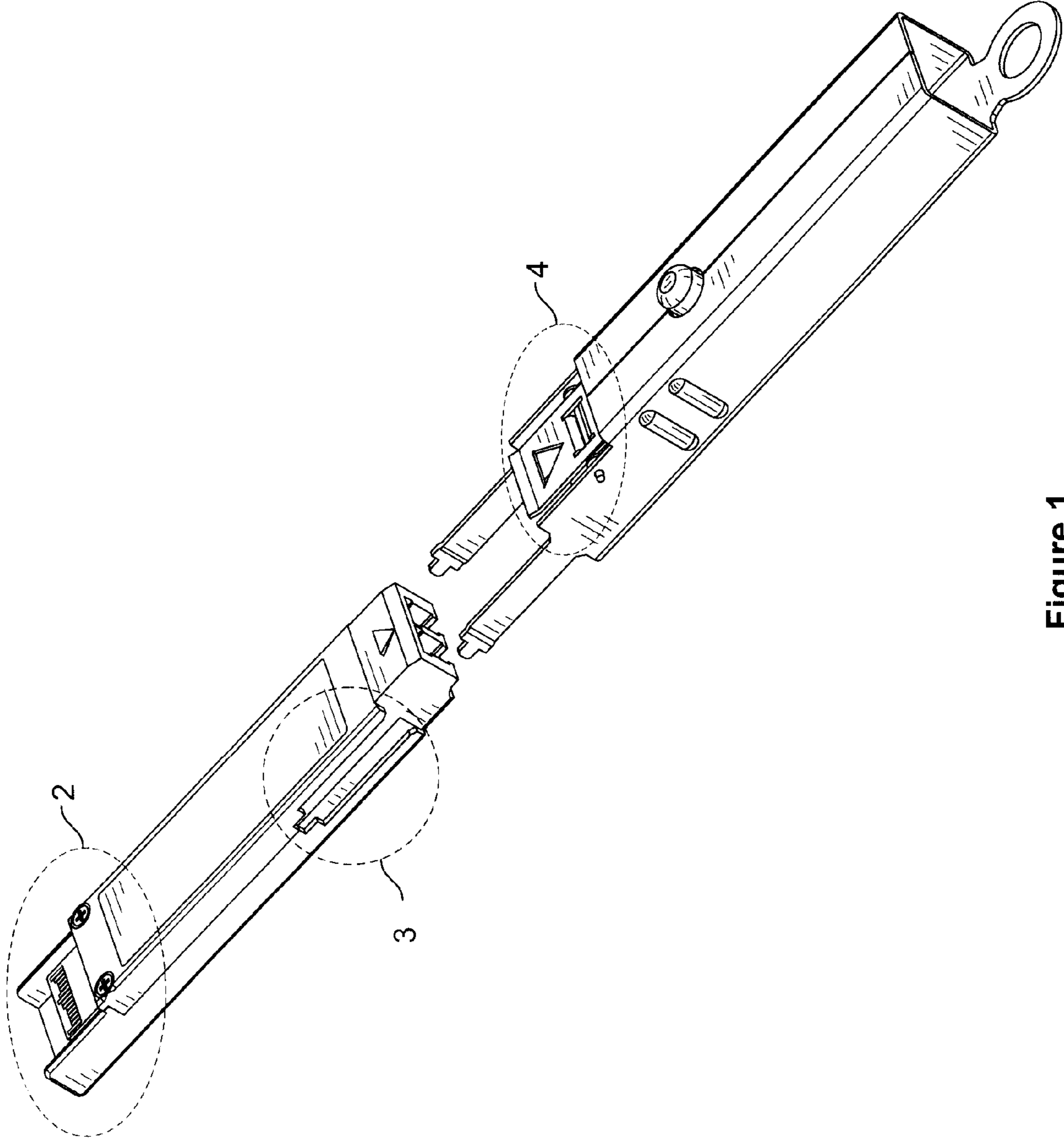


Figure 1

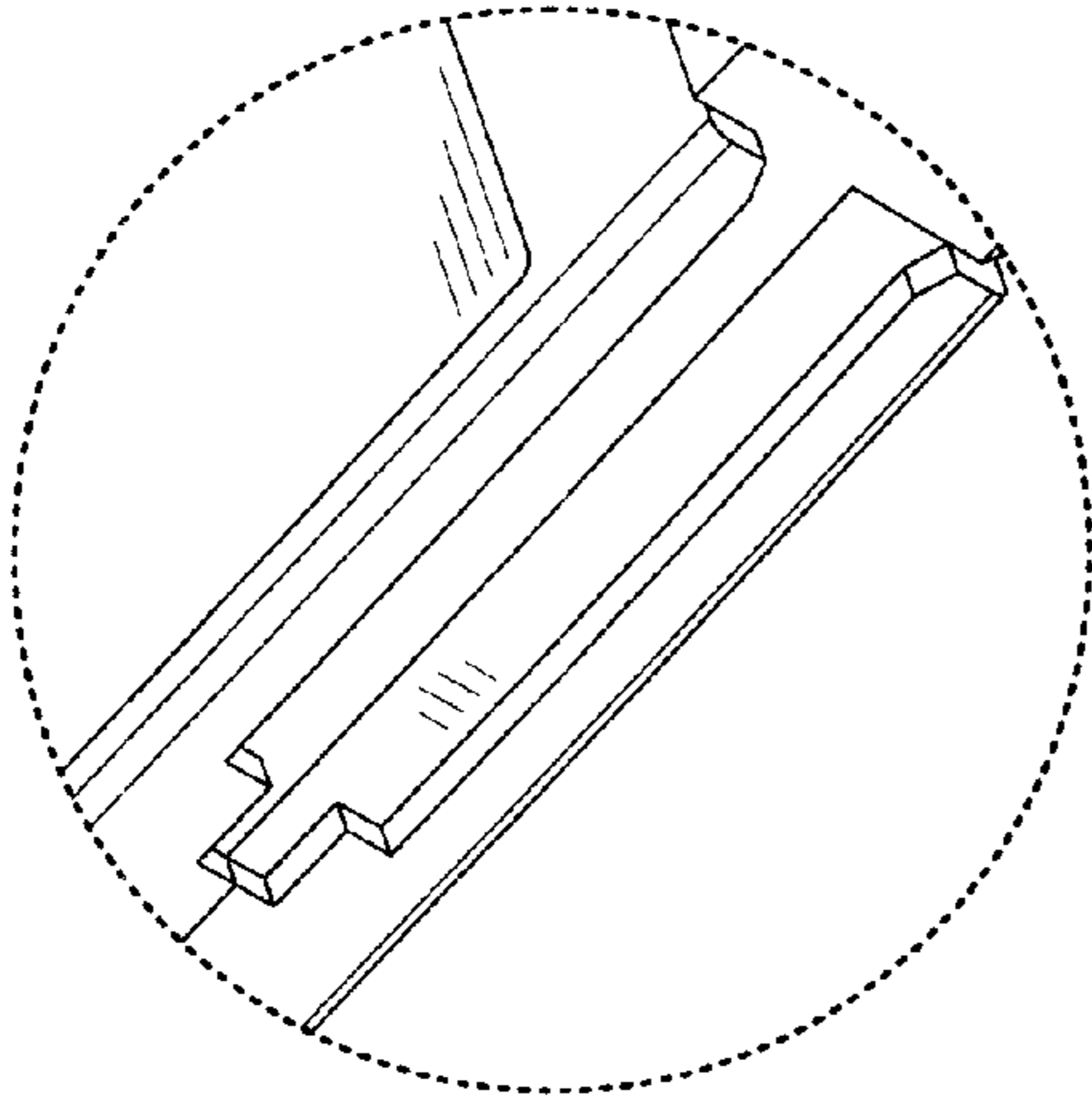


Figure 3

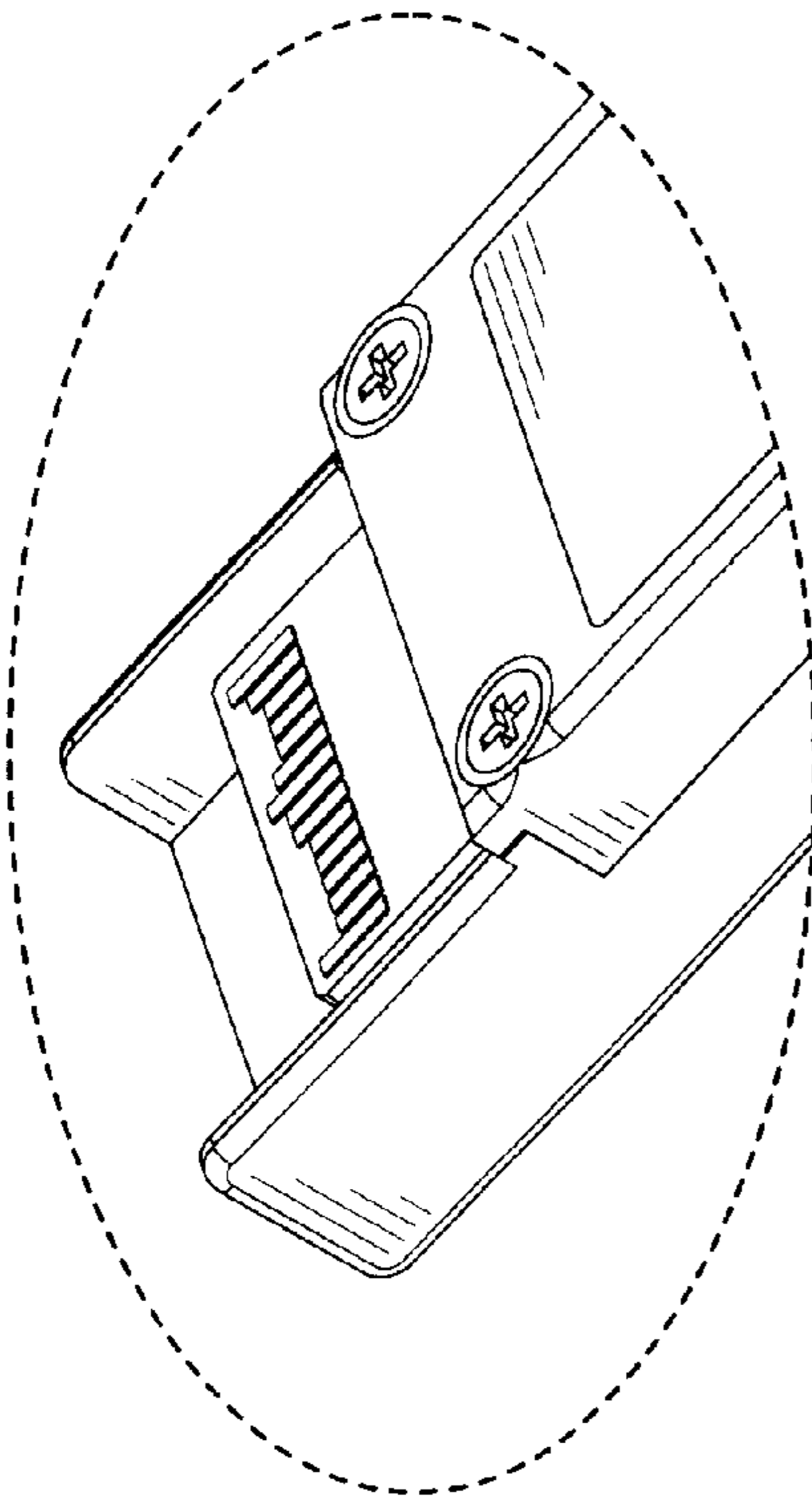


Figure 2

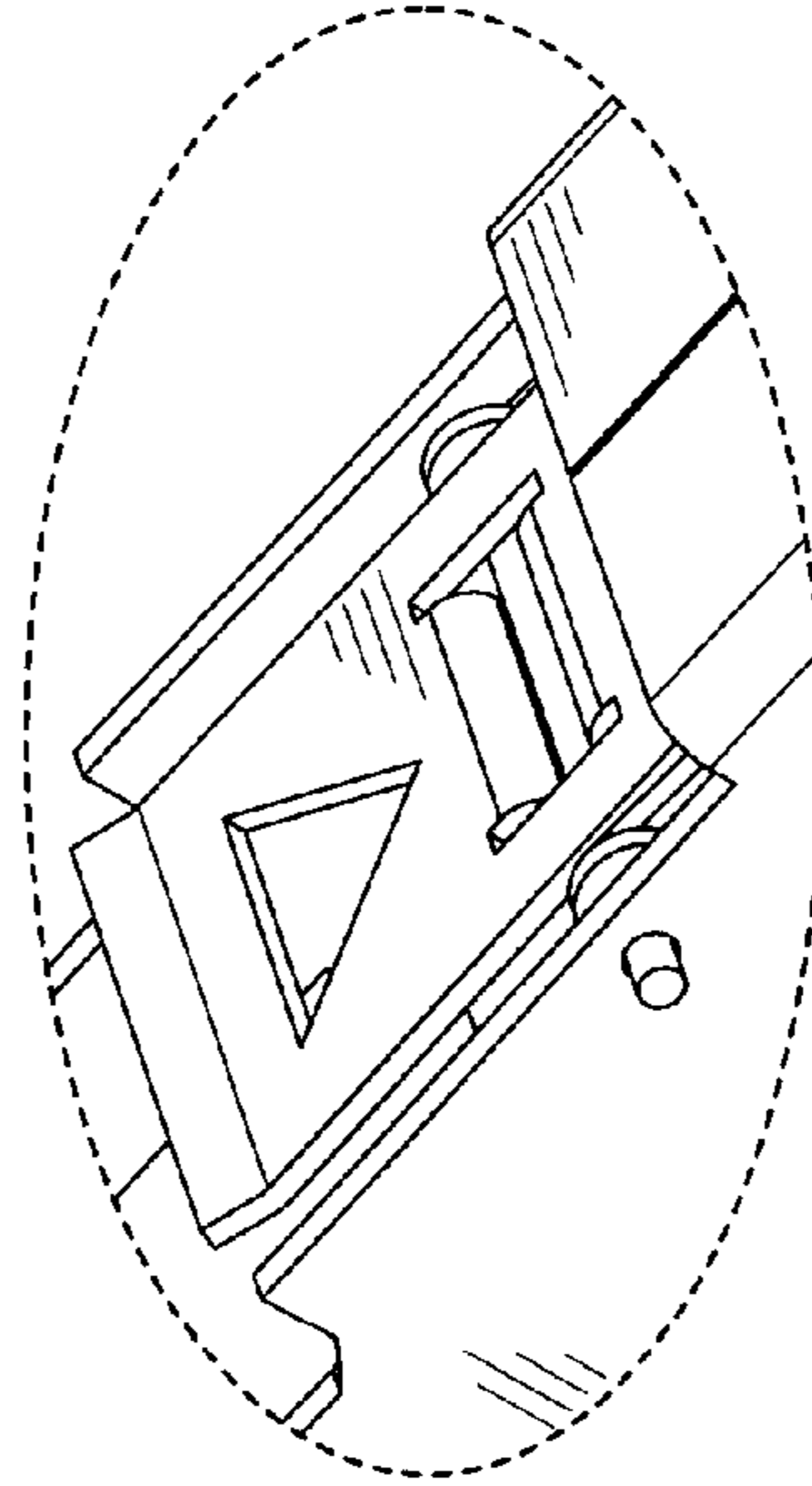


Figure 4

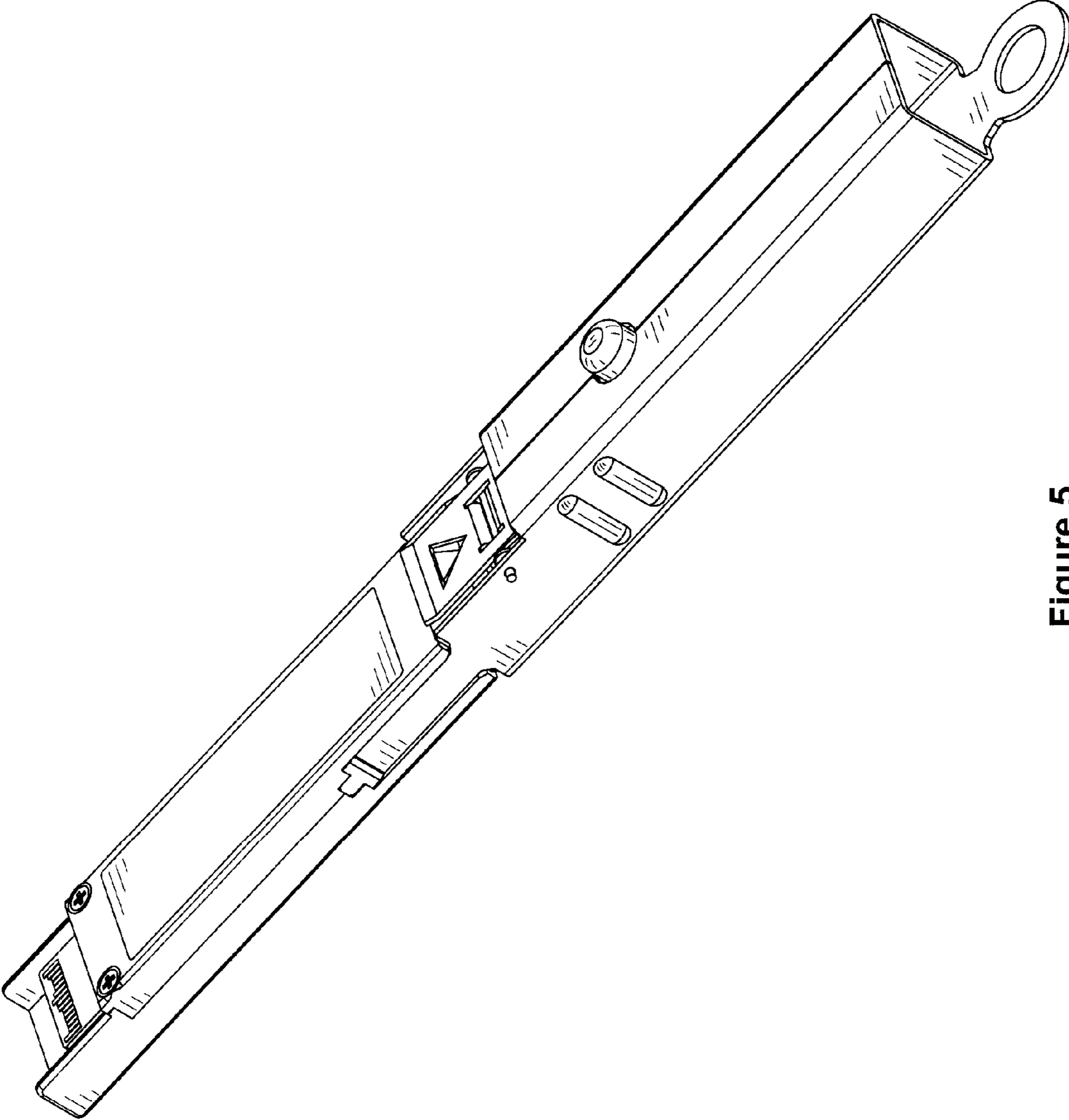


Figure 5

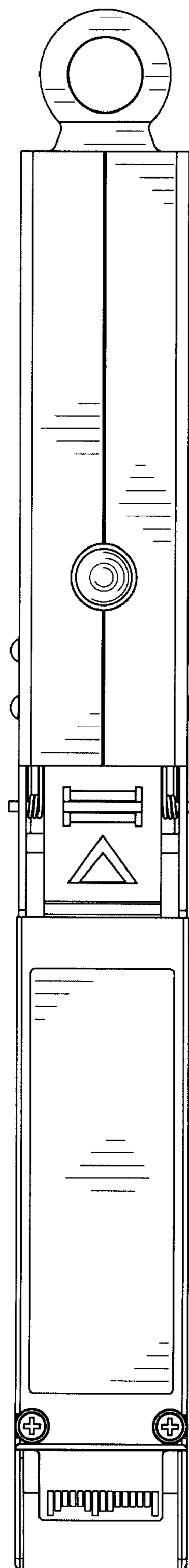


Figure 6

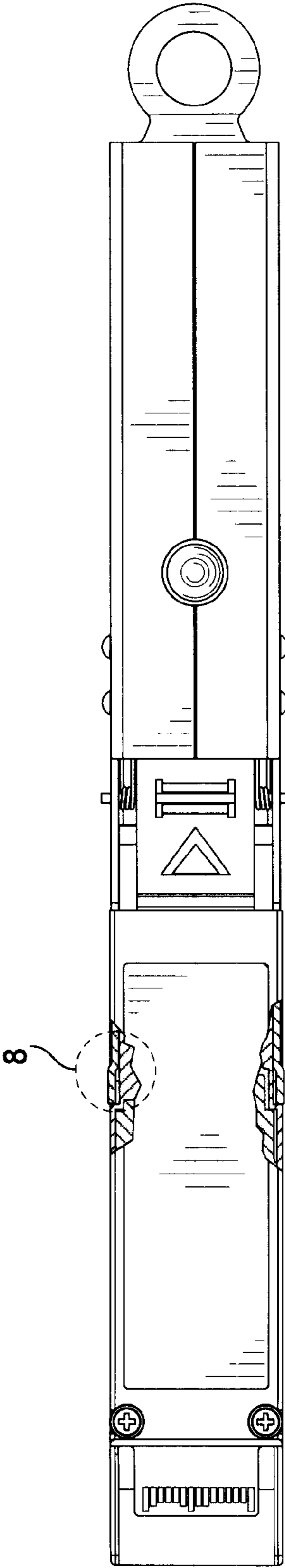


Figure 7

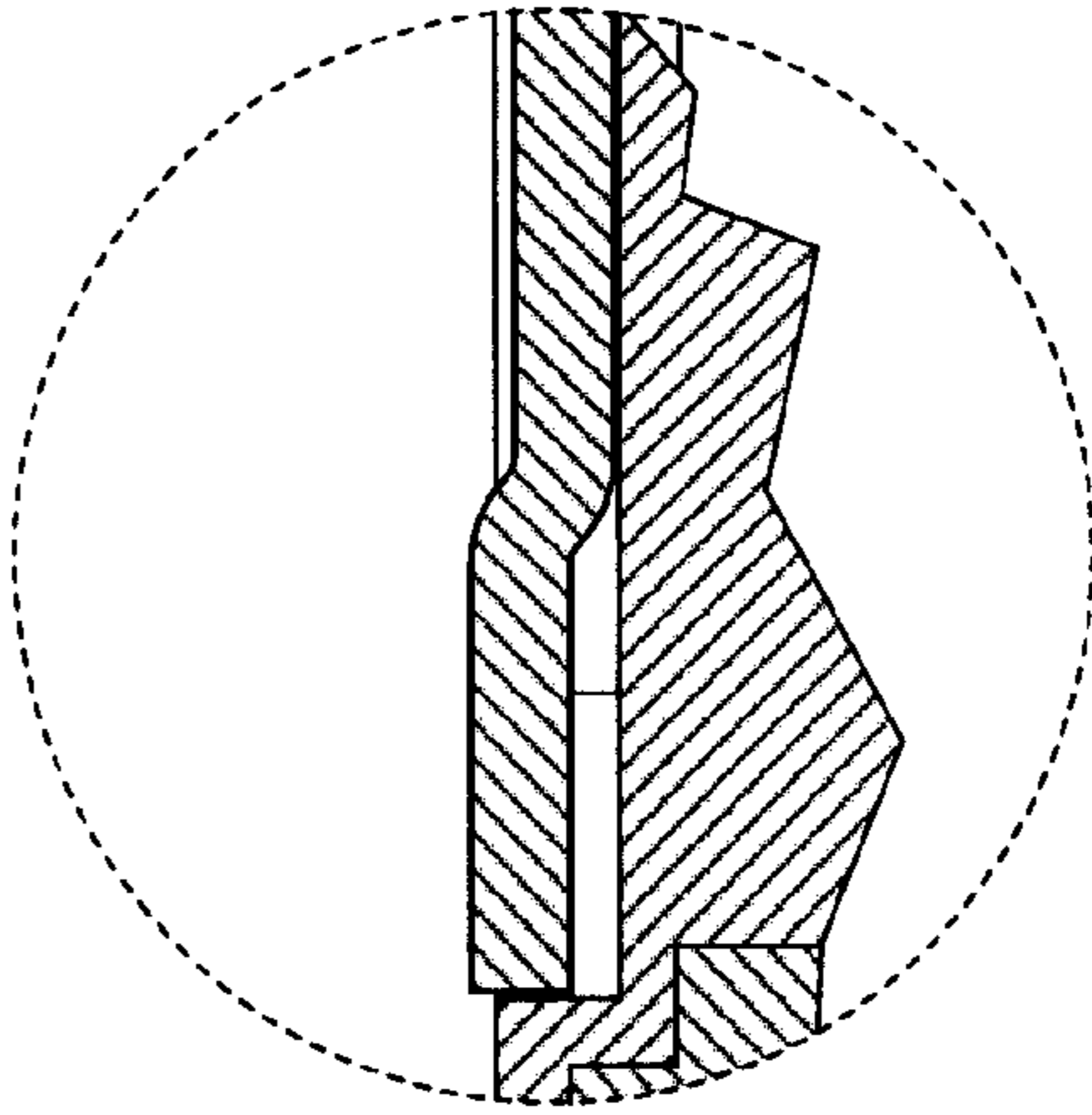


Figure 8

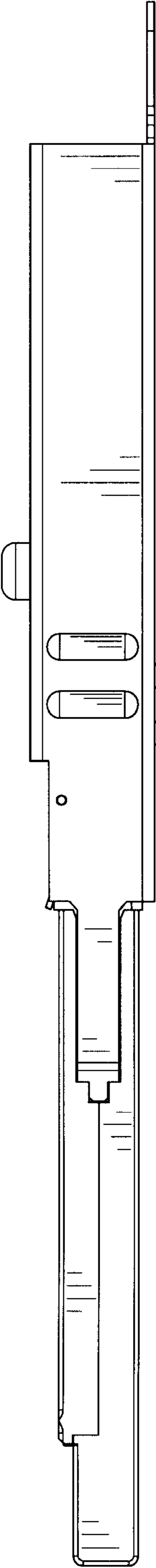


Figure 9

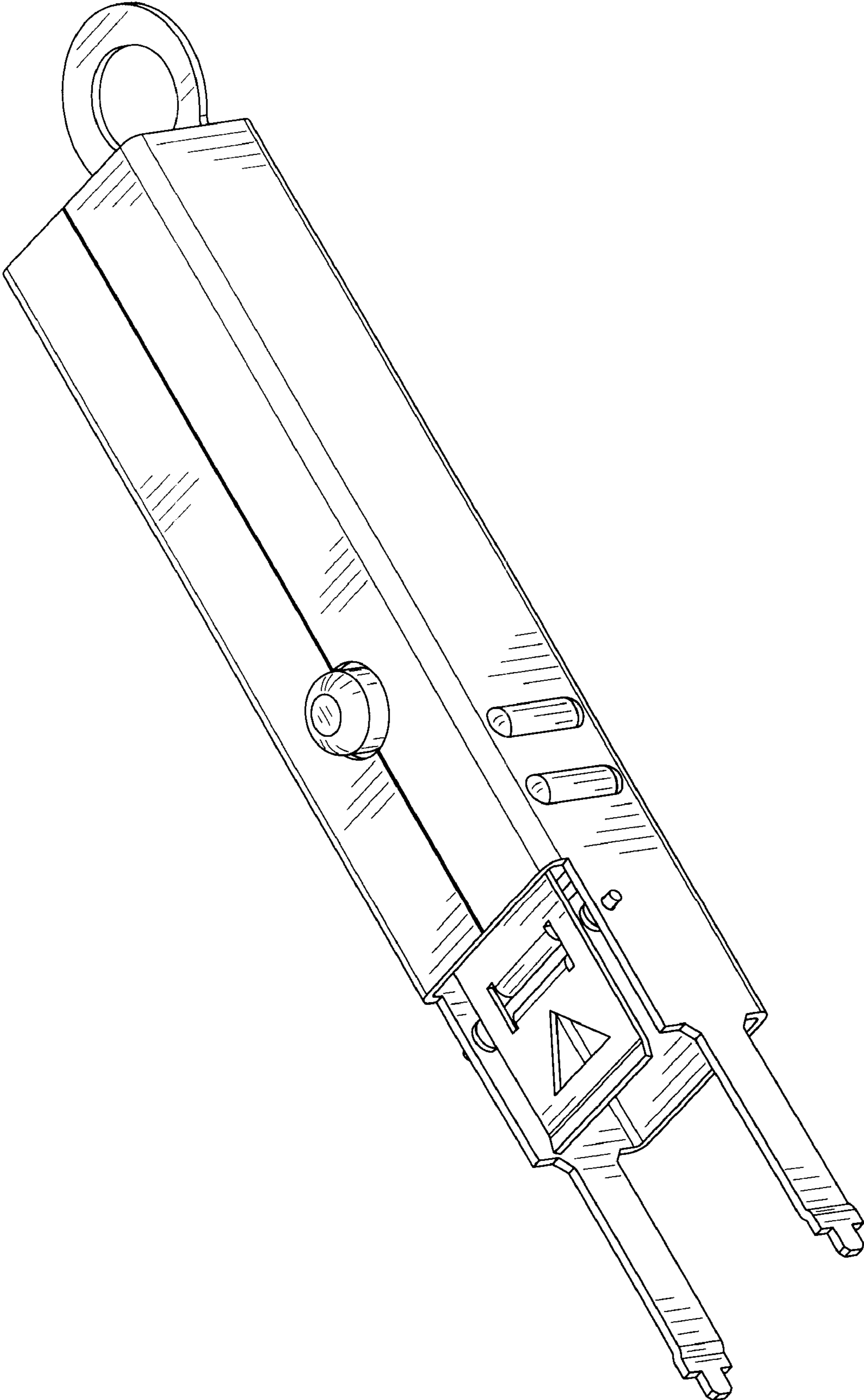


Figure 10