



US00D594452S

(12) **United States Design Patent**
Katsuno

(10) **Patent No.:** **US D594,452 S**
(45) **Date of Patent:** **** Jun. 16, 2009**

(54) **AUDIO PLAYER**

(75) Inventor: **Keita Katsuno**, Matsudo (JP)

(73) Assignee: **Clarion Co., Ltd.**, Tokyo (JP)

(**) Term: **14 Years**

(21) Appl. No.: **29/309,779**

(22) Filed: **Oct. 9, 2008**

(51) **LOC (9) Cl.** **14-01**

(52) **U.S. Cl.** **D14/258; D14/157**

(58) **Field of Classification Search** D14/137,
D14/157, 257–258, 188, 197–198, 443; 455/347–349,
455/351, 90.2

See application file for complete search history.

(56) **References Cited**

U.S. PATENT DOCUMENTS

D365,568 S * 12/1995 Tokiyama D14/258
D385,284 S * 10/1997 Brenner D14/258
5,862,468 A * 1/1999 Kim 455/348
D444,146 S * 6/2001 Weiland et al. D14/258

D491,555 S * 6/2004 Preissner D14/258
D497,158 S * 10/2004 Pietras et al. D14/257
D572,708 S * 7/2008 Price et al. D14/258

* cited by examiner

Primary Examiner—Nanda Bondade

(74) *Attorney, Agent, or Firm*—Oliff & Berridge, PLC

(57) **CLAIM**

The ornamental design for an audio player, as shown and described.

DESCRIPTION

FIG. 1 is a perspective view of an audio player;

FIG. 2 is a front view thereof;

FIG. 3 is a rear view thereof;

FIG. 4 is a left-side view thereof, the right-side view being a mirror image;

FIG. 5 is a top view thereof; and,

FIG. 6 is a bottom view thereof.

1 Claim, 4 Drawing Sheets

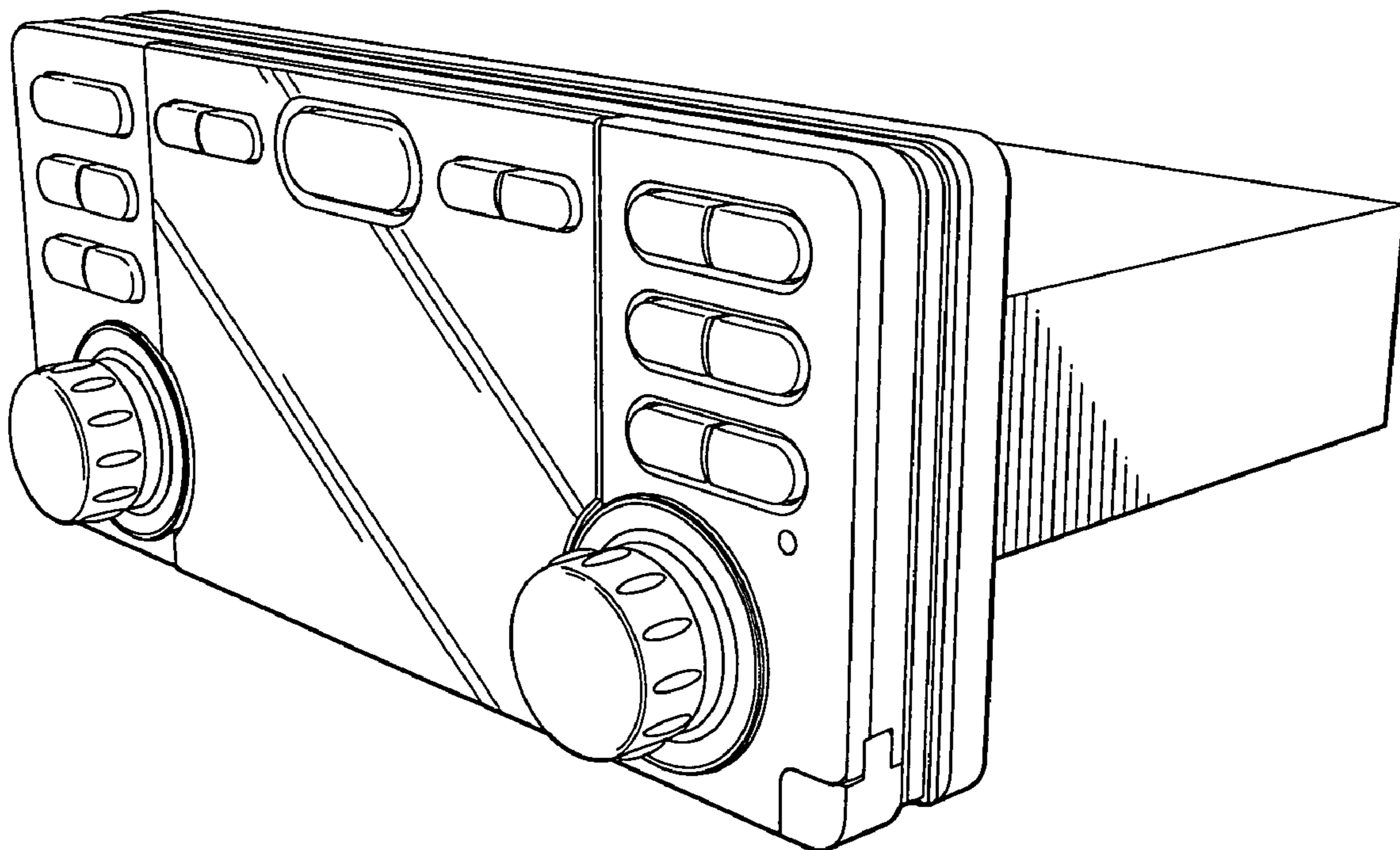


FIG. 1

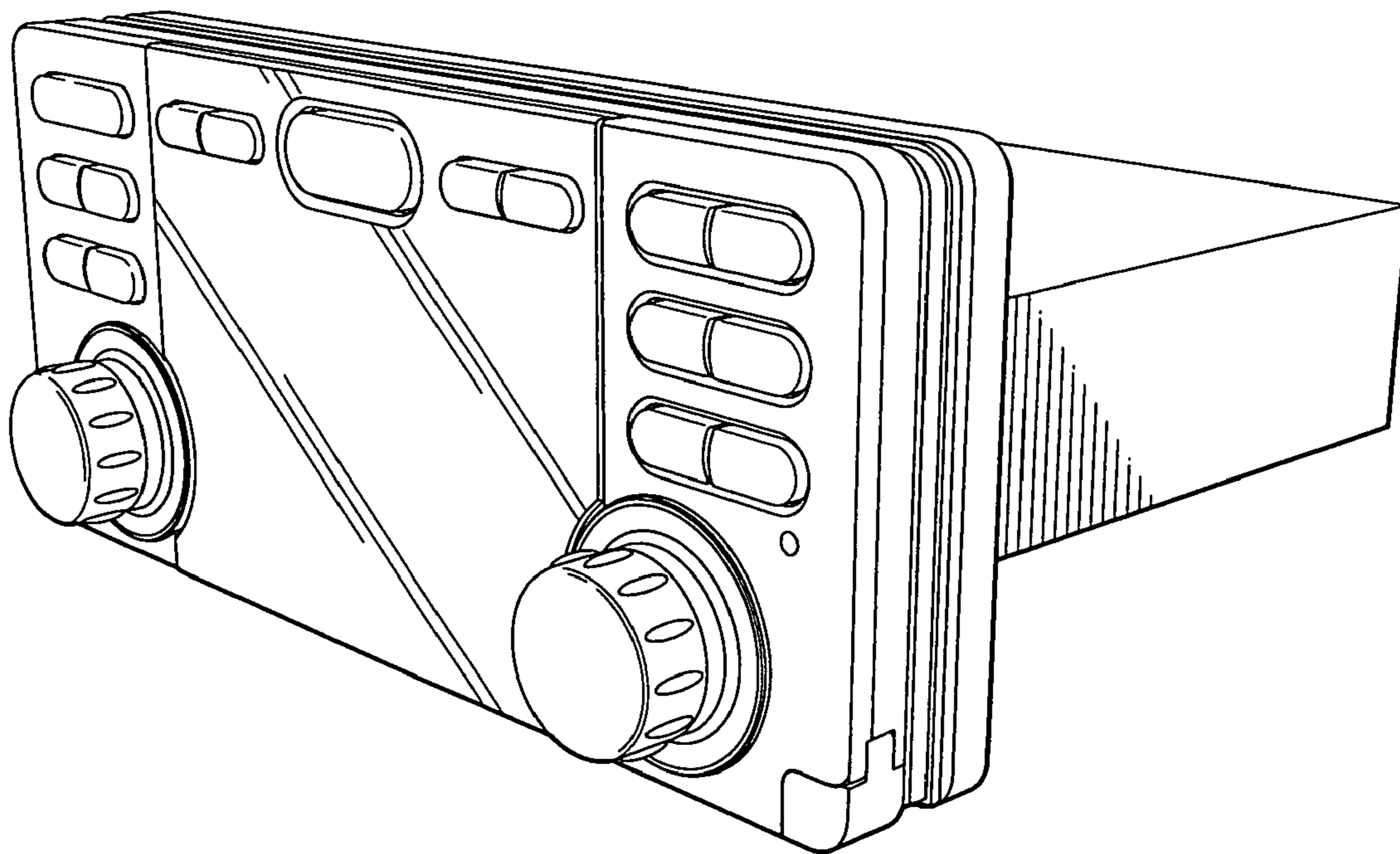


FIG. 2

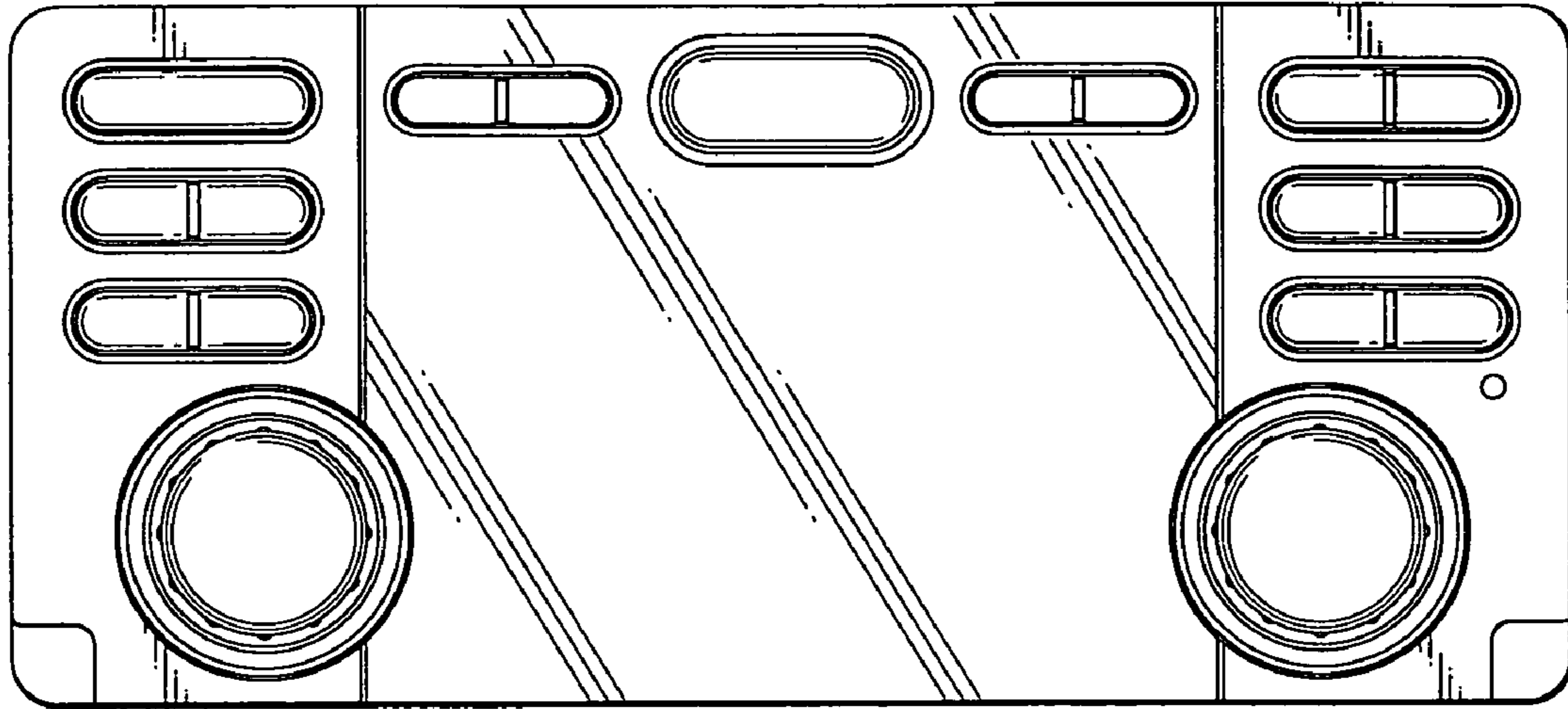


FIG. 3

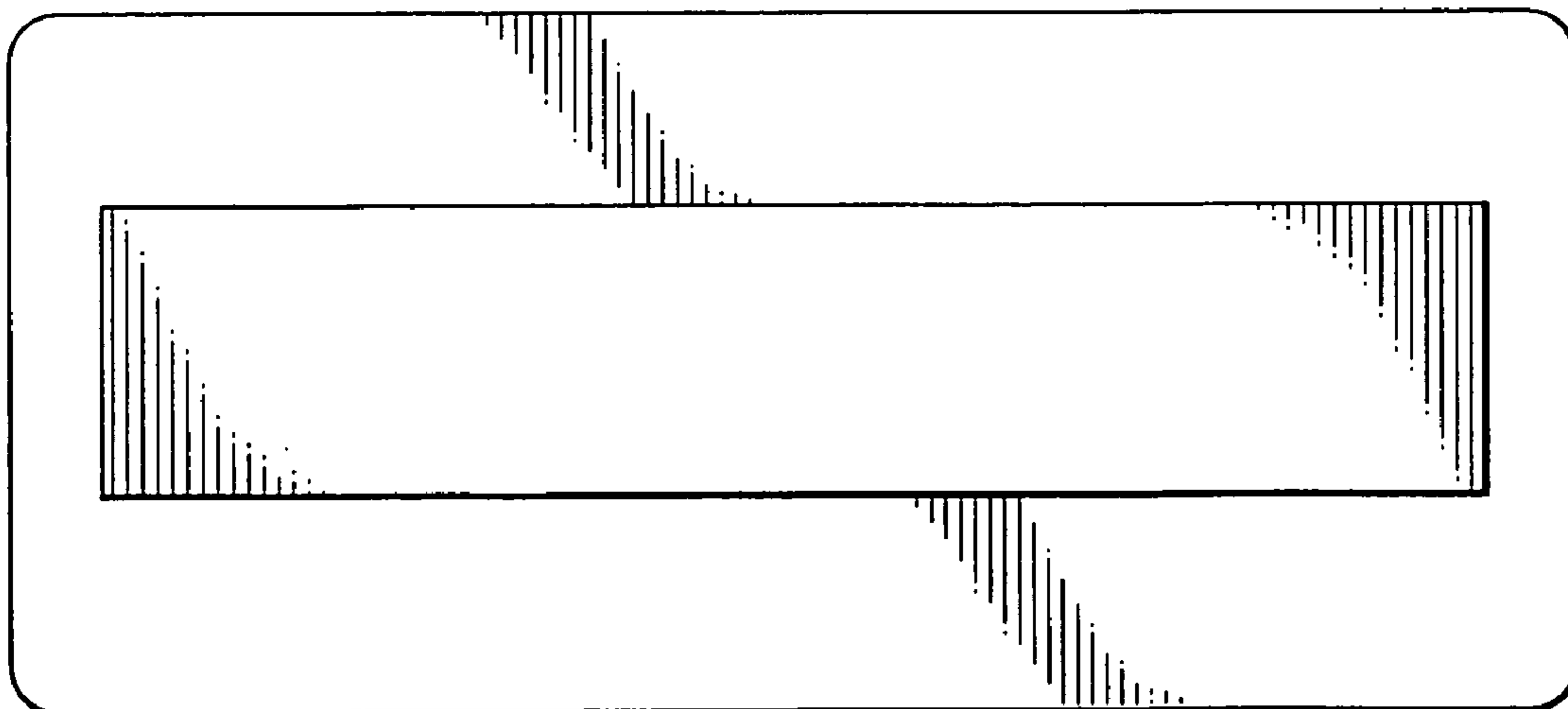


FIG. 4

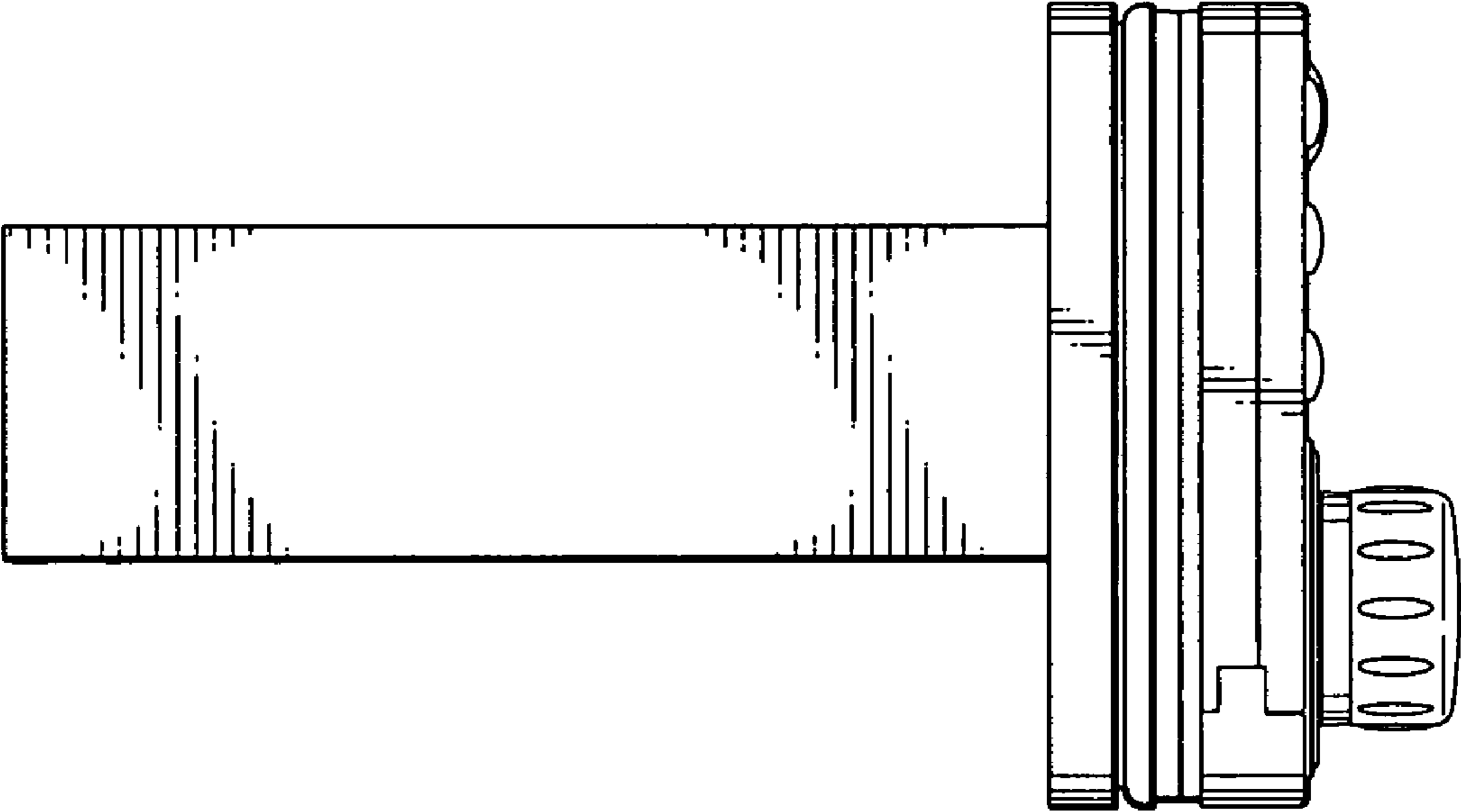


FIG.5

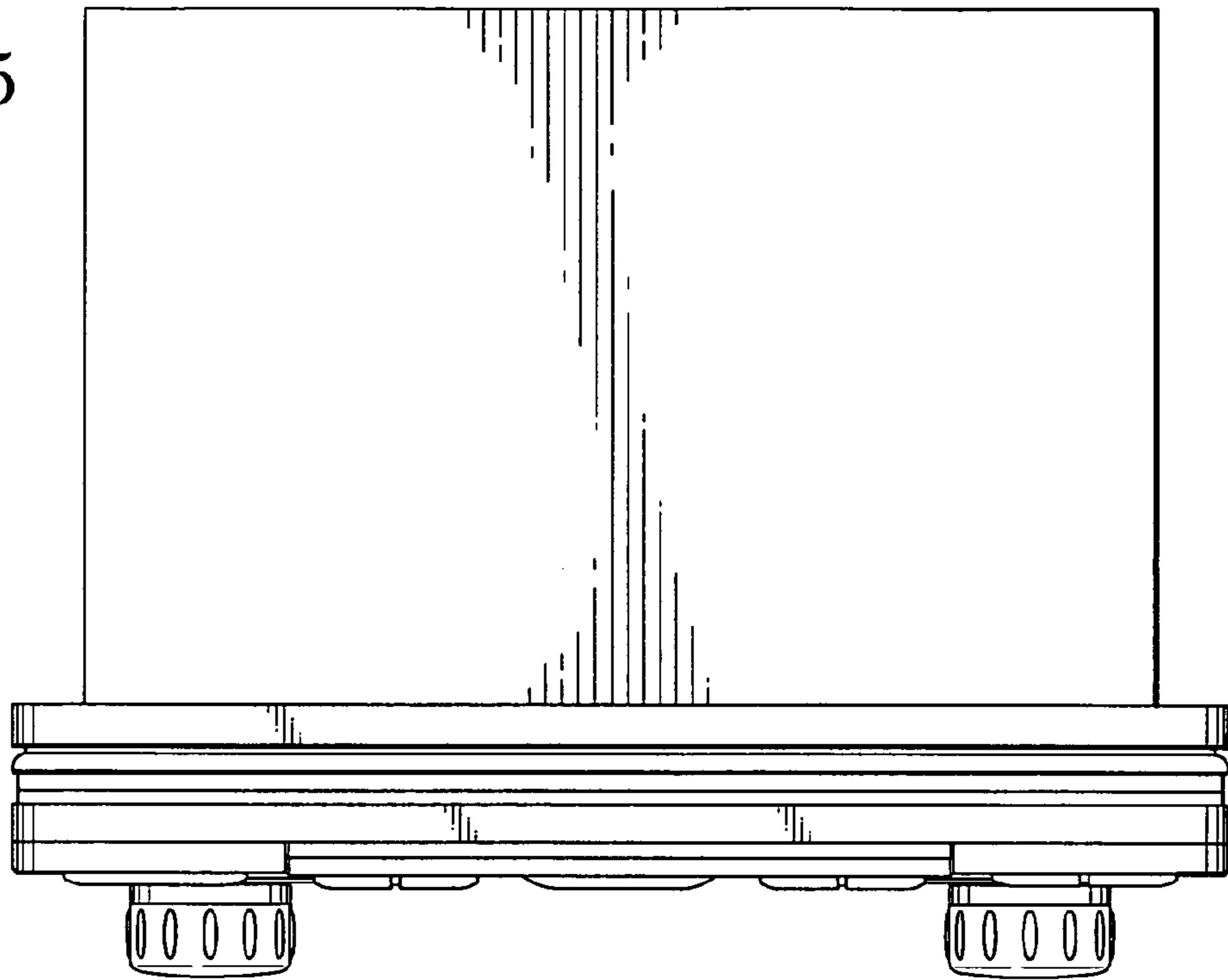


FIG.6

