



US00D594450S

(12) **United States Design Patent**
Furuno et al.

(10) **Patent No.:** **US D594,450 S**
(45) **Date of Patent:** **** Jun. 16, 2009**

- (54) **TELEPHONE HANDSET**
- (75) Inventors: **Masashi Furuno**, Osaka (JP); **Akira Nakajima**, Osaka (JP); **Takayuki Ookawa**, Osaka (JP)
- (73) Assignee: **Panasonic Corporation**, Osaka (JP)
- (**) Term: **14 Years**
- (21) Appl. No.: **29/320,481**
- (22) Filed: **Jun. 27, 2008**
- (51) **LOC (9) Cl.** **14-03**
- (52) **U.S. Cl.** **D14/247**
- (58) **Field of Classification Search** D14/137, D14/138 R, 138 AA, 138 AB, 138 AC, 138 AD, D14/138 C, 138 G, 147, 191, 203.1–203.8, D14/218, 244, 247–248, 341–347, 432, 439, D14/455–456, 496; D10/65, 78, 104; D13/168; D18/7; 455/556.1, 566, 575.1, 575.3; 345/169
See application file for complete search history.

(56) **References Cited**

U.S. PATENT DOCUMENTS

D364,620 S	11/1995	Prior et al.	
D388,430 S	12/1997	Harris et al.	
D388,784 S	1/1998	Phillips et al.	
D407,722 S	4/1999	Nagano et al.	
D432,506 S *	10/2000	Noguchi et al.	D14/339
D457,520 S *	5/2002	Laverick et al.	D14/247
D476,983 S	7/2003	Salmi	
D477,590 S *	7/2003	Ahn	D14/218
D482,682 S *	11/2003	Lehtonen	D14/247
D491,172 S	6/2004	Sheu	
D491,907 S *	6/2004	Ogawa	D14/138 AB
D504,886 S *	5/2005	Yasutomi	D14/218
D509,500 S *	9/2005	Watanabe et al.	D14/247
D510,923 S *	10/2005	Okamatsu	D14/138 AB
6,957,088 B2 *	10/2005	Kato et al.	455/566
D524,277 S	7/2006	Surtouc	
D524,802 S	7/2006	Burns et al.	
D532,767 S	11/2006	Yoshino et al.	
D533,559 S	12/2006	Seo et al.	
D538,773 S	3/2007	Joung	
D540,765 S *	4/2007	Pritchard et al.	D14/137
D541,786 S	5/2007	Ookawa	
D550,212 S *	9/2007	Hakoda	D14/218

7,266,394 B2 *	9/2007	Carlson et al.	455/566
D570,816 S *	6/2008	Lee et al.	D14/138 AD
D571,361 S *	6/2008	Moriyama	D14/247
D574,355 S *	8/2008	Okawa et al.	D14/147
D575,281 S *	8/2008	Rak	D14/248
D579,011 S *	10/2008	Furuno et al.	D14/247
D584,297 S *	1/2009	Furuno et al.	D14/247
2001/0018353 A1 *	8/2001	Ishigaki	455/566
2002/0037703 A1 *	3/2002	Hirota et al.	455/90
2006/0116165 A1 *	6/2006	Ito	455/557
2007/0049357 A1 *	3/2007	Daimon et al.	455/575.1
2007/0060204 A1 *	3/2007	Lee	455/566

OTHER PUBLICATIONS

Nokia 3100, announced 3rd quarter 2003, [online], [retrieved on Jan. 9, 2009]. Retrieved from Internet ,<URL:http://www.gsmarena.com>.*
Gigabyte g-Smart i300, announced 2nd quarter 2006, [online], [retrieved on Feb. 20, 2007]. Retrieved from Internet ,<URL:http://www.gsmarena.com>.*
* cited by examiner

Primary Examiner—Jeffrey D Asch
Assistant Examiner—Bridget L Eland
(74) *Attorney, Agent, or Firm*—Brinks Hofer Gilson & Lione

(57) **CLAIM**

We claim the ornamental design for a telephone handset, as shown and described.

DESCRIPTION

FIG. 1 is a front perspective view of a telephone handset of the present invention;
FIG. 2 is a front view thereof;
FIG. 3 is a rear view thereof;
FIG. 4 is a first side view thereof;
FIG. 5 is a second side view thereof;
FIG. 6 is a top view thereof; and,
FIG. 7 is a bottom view thereof.

The broken line showing of telephone handset is included for the purpose of illustrating environment and forms no part of the claimed design.

1 Claim, 7 Drawing Sheets

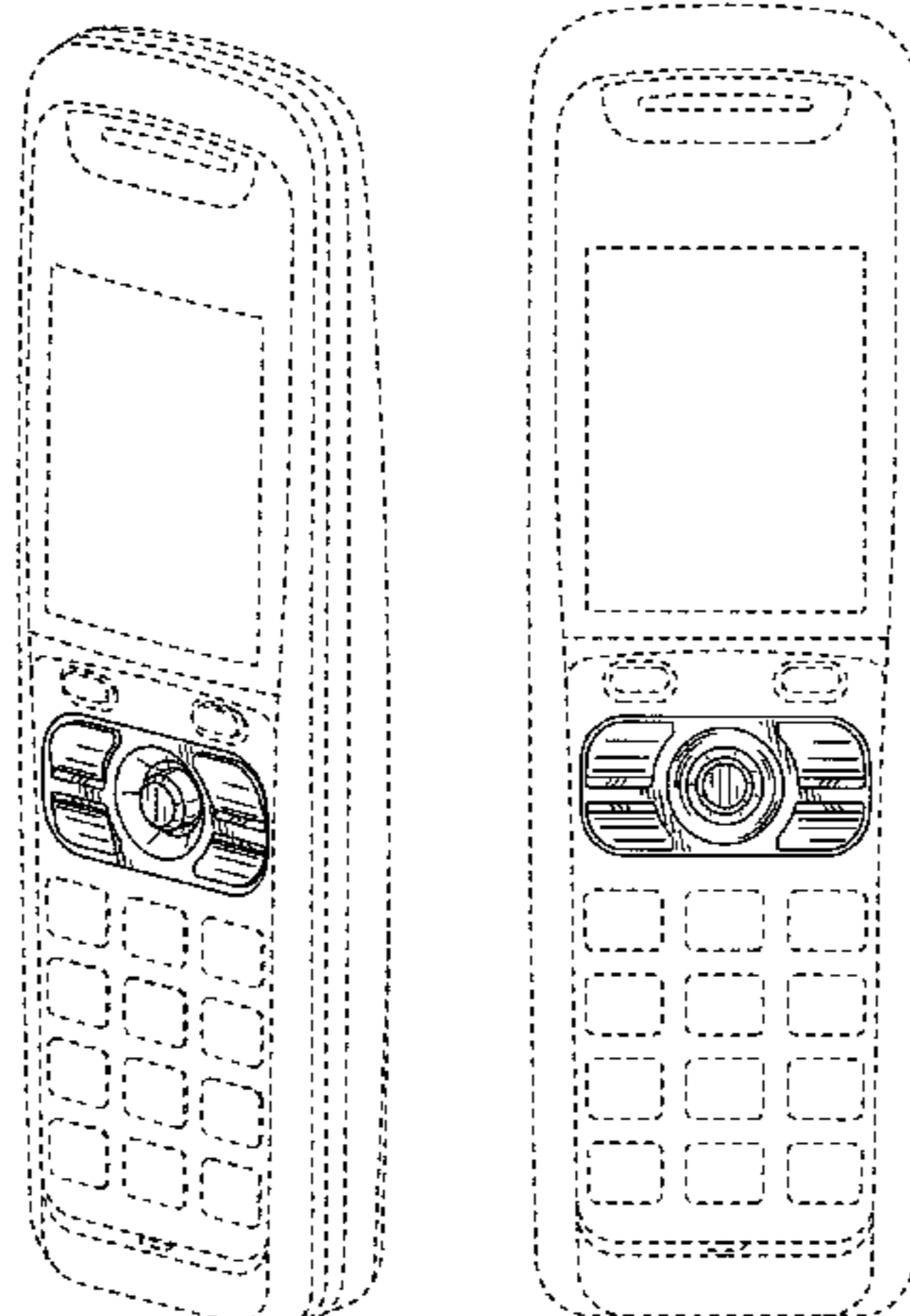


FIG. 1

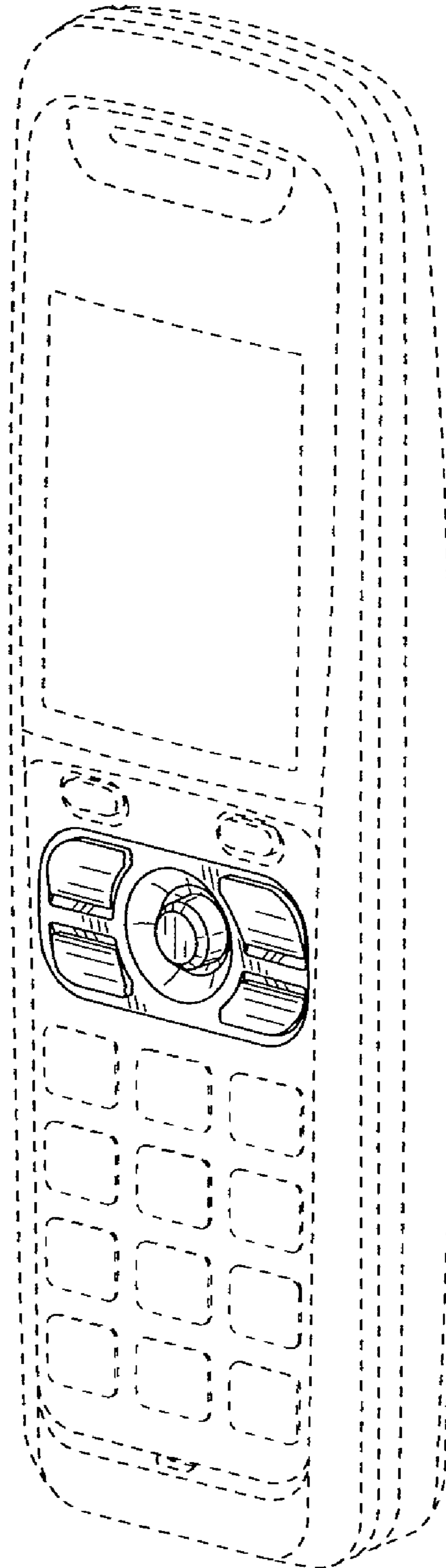


FIG. 2

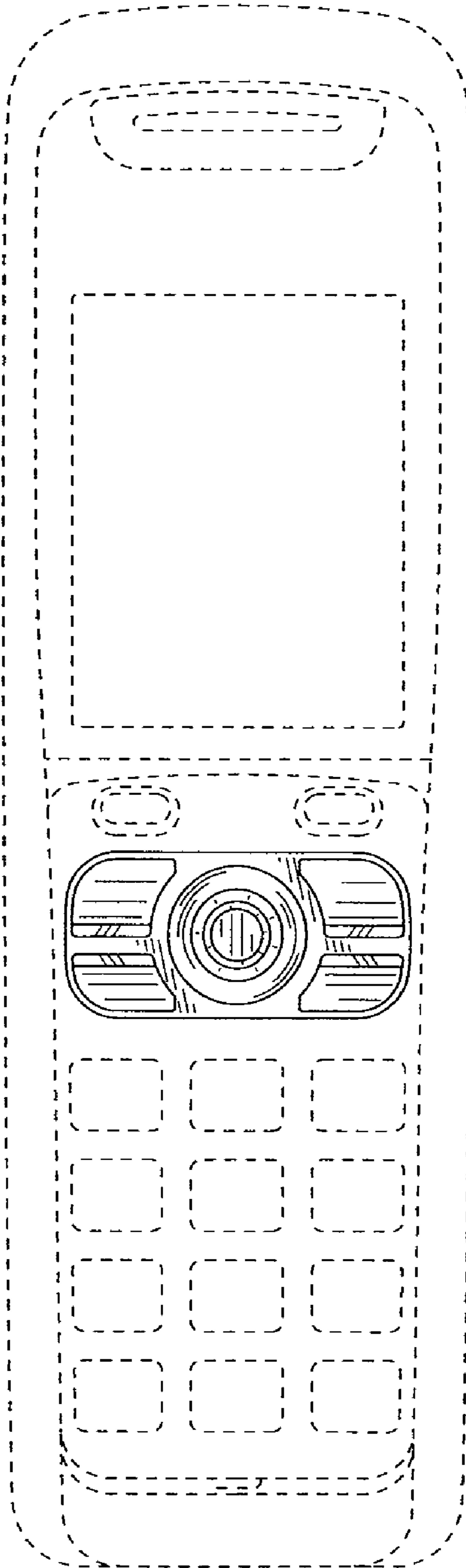


FIG.3

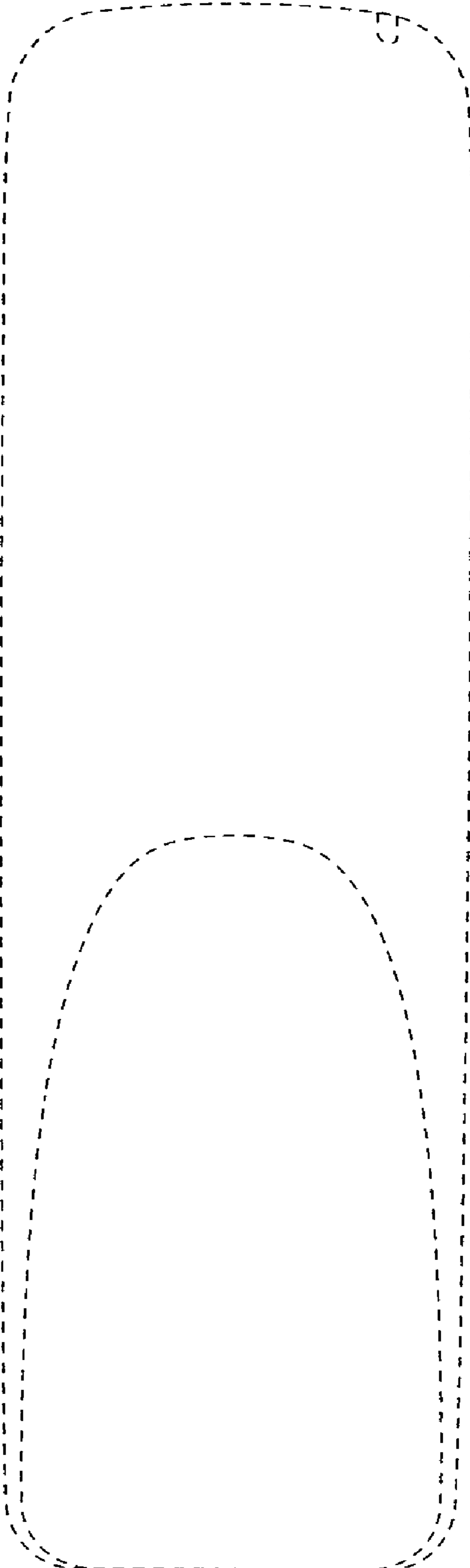


FIG.4

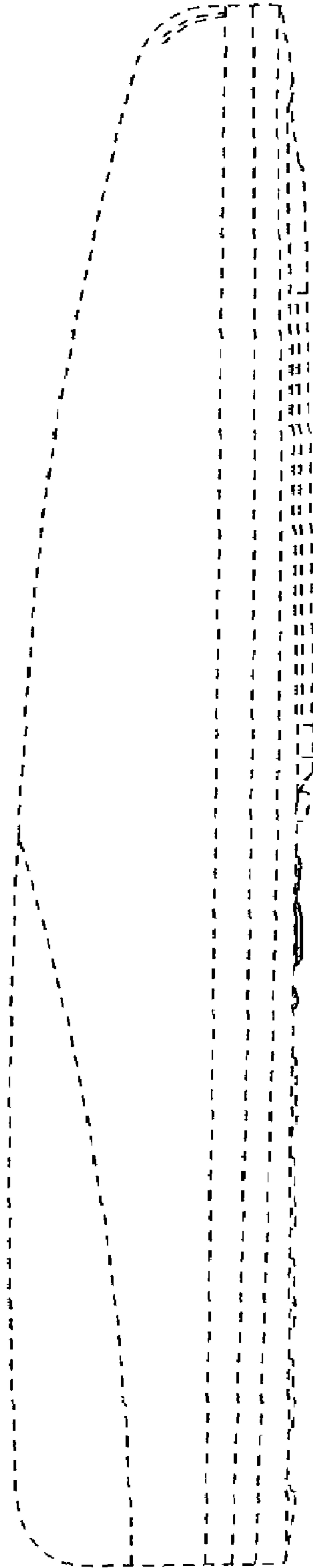


FIG. 5

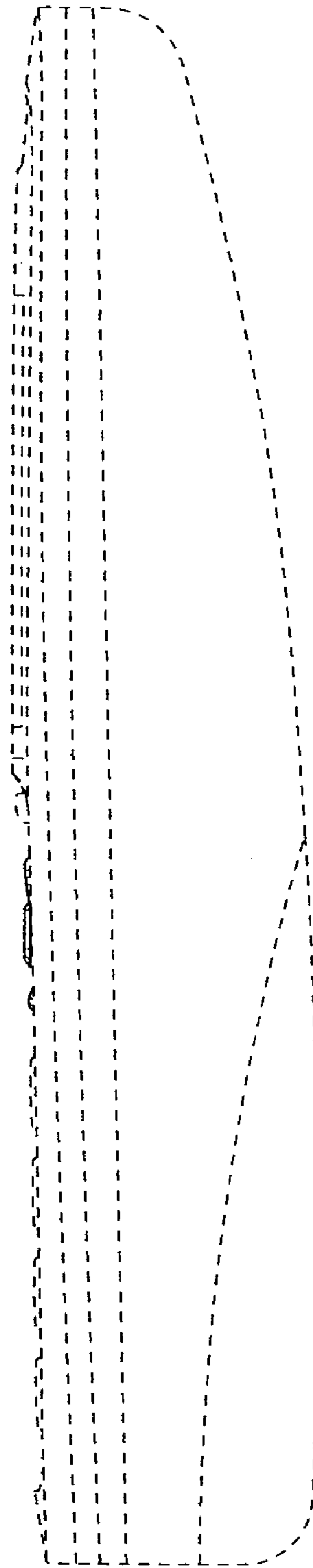


FIG. 6

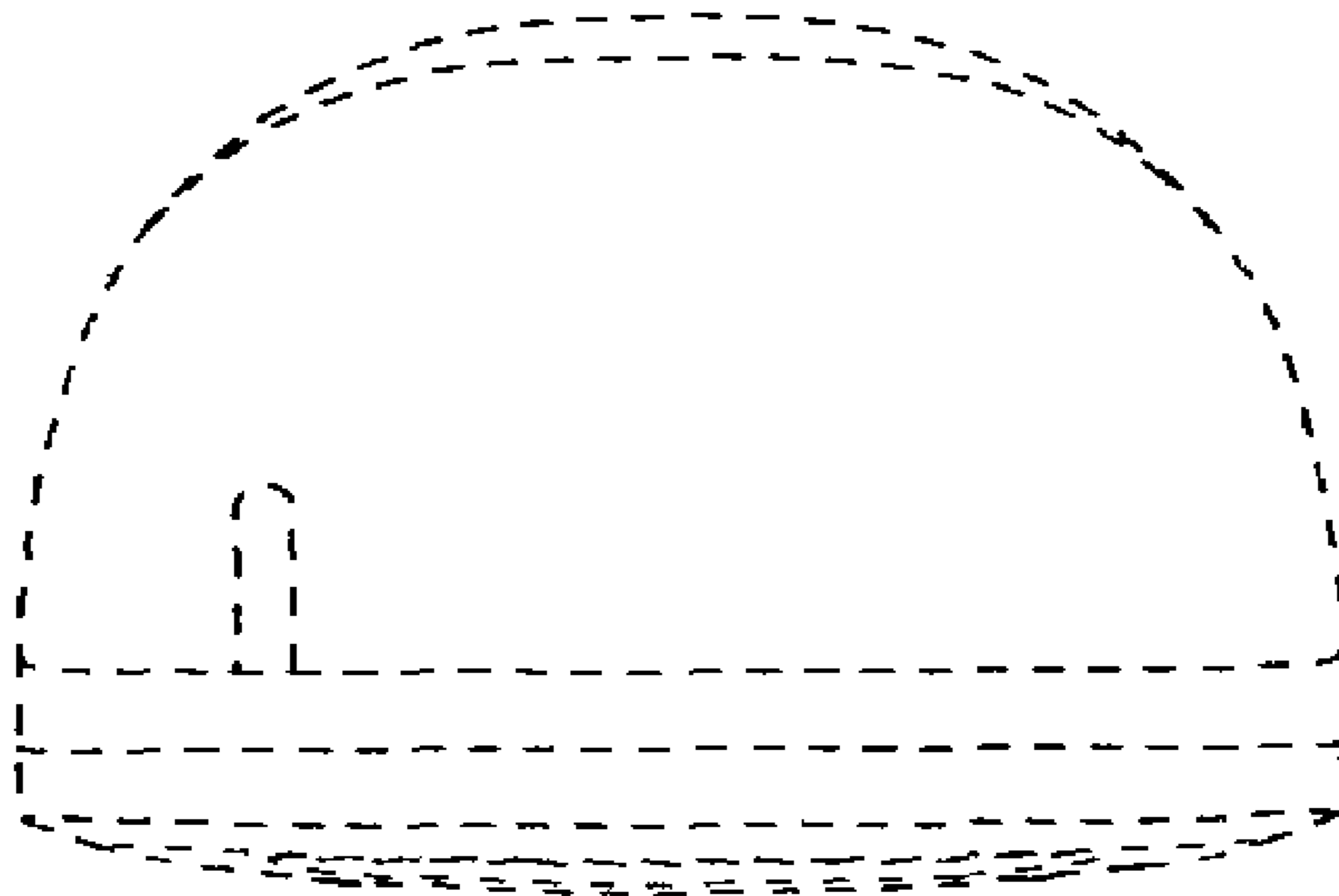


FIG. 7

