



US00D594449S

(12) **United States Design Patent**
Wozniak

(10) **Patent No.:** **US D594,449 S**
(45) **Date of Patent:** **** Jun. 16, 2009**

(54) **SET OF KEYS FOR A HANDSET**

(75) Inventor: **Leonard Wozniak**, Santa Monica, CA
(US)

(73) Assignee: **Nokia Corporation**, Espoo (FI)

(**) Term: **14 Years**

(21) Appl. No.: **29/305,523**

(22) Filed: **Mar. 21, 2008**

(51) **LOC (9) Cl.** **14-03**

(52) **U.S. Cl.** **D14/247**

(58) **Field of Classification Search** D14/137,
D14/138 R, 138 AA, 138 AB, 138 AC, 138 AD,
D14/138 C, 138 G, 147, 191, 203.1–203.8,
D14/218, 247–248, 341–347, 432, 439, 455–456,
D14/496; D10/65, 78, 104; D13/168; D18/7;
455/556.1, 566, 575.1, 575.3; 345/169
See application file for complete search history.

(56) **References Cited**

U.S. PATENT DOCUMENTS

D426,531 S	*	6/2000	Chikaraishi et al. ..	D14/138 AA
D507,563 S	*	7/2005	Moss	D14/247
D514,079 S	*	1/2006	Lai	D14/138 AA
D516,531 S	*	3/2006	Hwang	D14/138 AA
D522,989 S	*	6/2006	Viitasaari	D14/138 AB
D524,779 S	*	7/2006	Lyles	D14/138 AA
D526,314 S	*	8/2006	Kim	D14/247
D529,022 S	*	9/2006	Lyles	D14/247
D539,791 S	*	4/2007	Sheu	D14/247
D543,198 S	*	5/2007	Hering	D14/247
D549,699 S	*	8/2007	Bower	D14/247
D552,056 S	*	10/2007	Lee et al.	D14/138 AB
D564,503 S	*	3/2008	Nakajima et al.	D14/247
D566,670 S	*	4/2008	Huang	D14/138 AB
D566,699 S	*	4/2008	Mitchell et al.	D14/247

(Continued)

FOREIGN PATENT DOCUMENTS

WO DM/065421 * 3/2004

WO DM/066460 * 3/2005
WO DM/069479 * 9/2007
WO DM/070795 * 6/2008

OTHER PUBLICATIONS

Nokia 6263, announced Dec. 2007, [online], [retrieved on Feb. 2, 2009]. Retrieved from Internet ,<URL: http://www.gsmarena.com>.*

Samsung A127, announced Oct. 2007, [online], [retrieved on Feb. 2, 2009]. Retrieved from Internet ,<URL: http://www.gsmarena.com>.*

Nokia Model #7270, Nokia Corporation, 1 color sheet of photographs, disclosed on or about Sep. 9, 2004.

Nokia Model #N90, Nokia Corporation, 5 color sheets of photographs, disclosed on or about Apr. 2005.

Nokia Model # 6267, Nokia Corporation, 1 color sheet of photographs, disclosed on or about Jun. 2007.

Primary Examiner—Jeffrey D Asch

Assistant Examiner—Bridget L Eland

(74) *Attorney, Agent, or Firm*—Banner & Witcoff, Ltd.

(57) **CLAIM**

The ornamental design for a set of keys for a handset, as shown and described.

DESCRIPTION

FIG. 1 is a front perspective view of a set of keys for a handset showing my new design; and

FIG. 2 is a front view thereof.

FIG. 3 is a front perspective view of a keypad showing my new design;

FIG. 4 is a front view thereof;

FIG. 5 is a right side view thereof;

FIG. 6 is a left side view thereof;

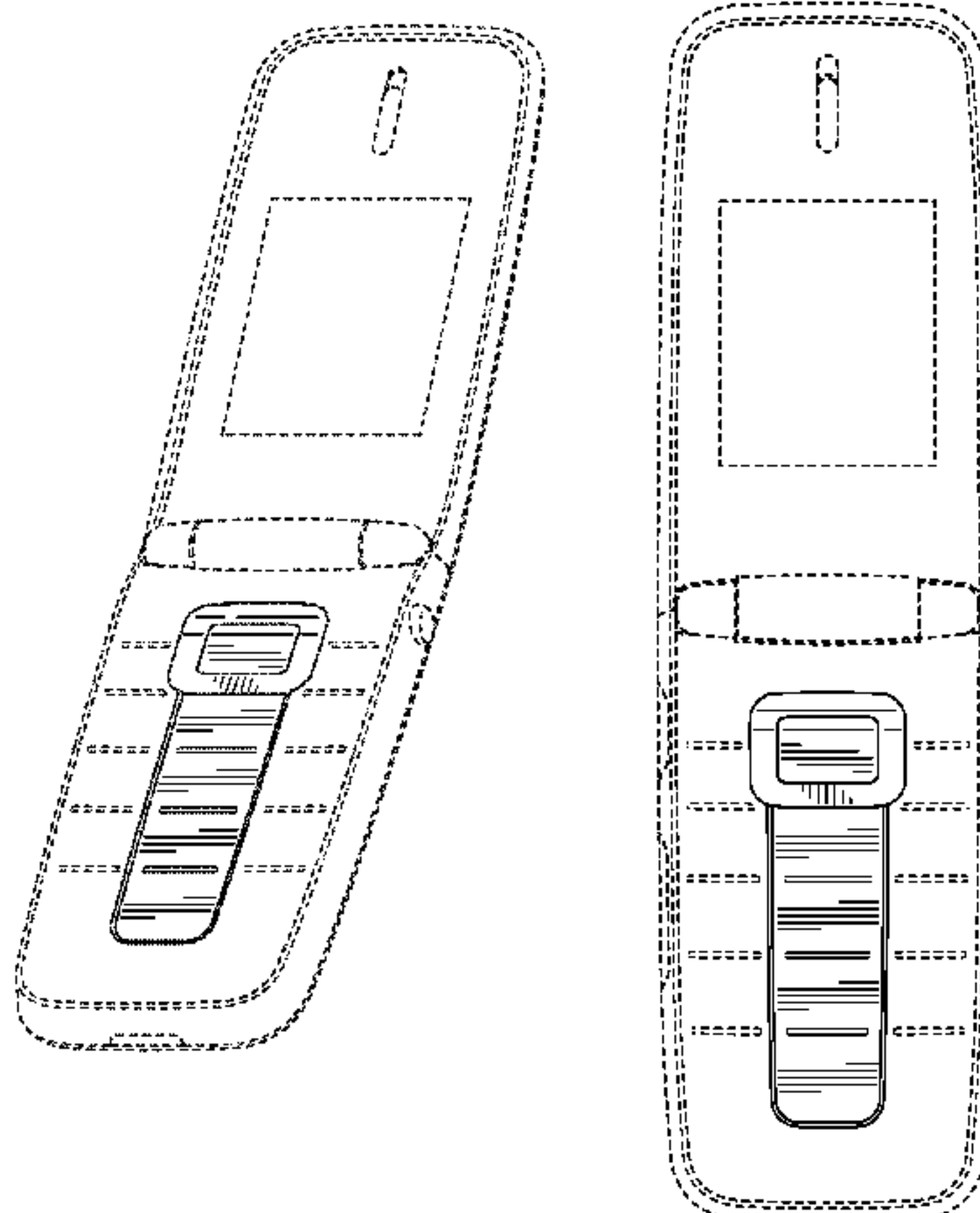
FIG. 7 is a top view thereof;

FIG. 8 is a bottom view thereof; and,

FIG. 9 is a rear view thereof.

The broken line showing of the remainder of the handset is directed to environment and is for illustrative purposes only; the broken lines form no part of the claimed design.

1 Claim, 6 Drawing Sheets



US D594,449 S

Page 2

U.S. PATENT DOCUMENTS

D567,784 S	*	4/2008	Lee et al.	D14/138 AB	7,463,911 B2 *	12/2008	Tseng et al.	455/575.1
D567,786 S	*	4/2008	Lee et al.	D14/138 AB	2006/0146030 A1 *	7/2006	Kim	345/169
D570,339 S	*	6/2008	Mehandjiysky et al.	D14/247	2006/0160583 A1 *	7/2006	Ryu	455/575.3
D571,764 S	*	6/2008	Baik et al.	D14/138 AB	2007/0021158 A1 *	1/2007	Kim et al.	455/575.3
D574,349 S	*	8/2008	Mitchell	D14/138 AB	2008/0020809 A1 *	1/2008	Park	455/575.1
D579,436 S	*	10/2008	Kim et al.	D14/138 R				

* cited by examiner

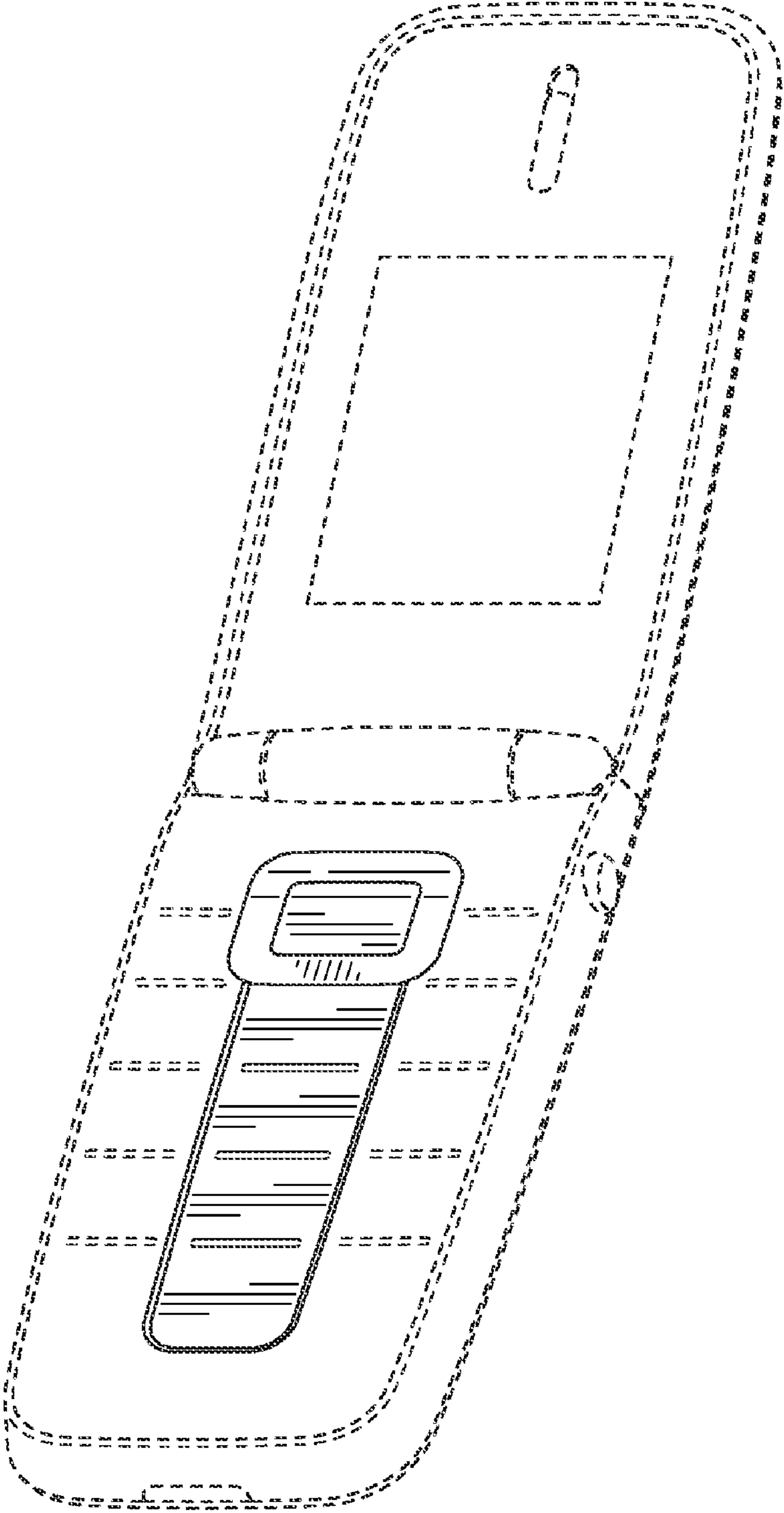


FIG. 1

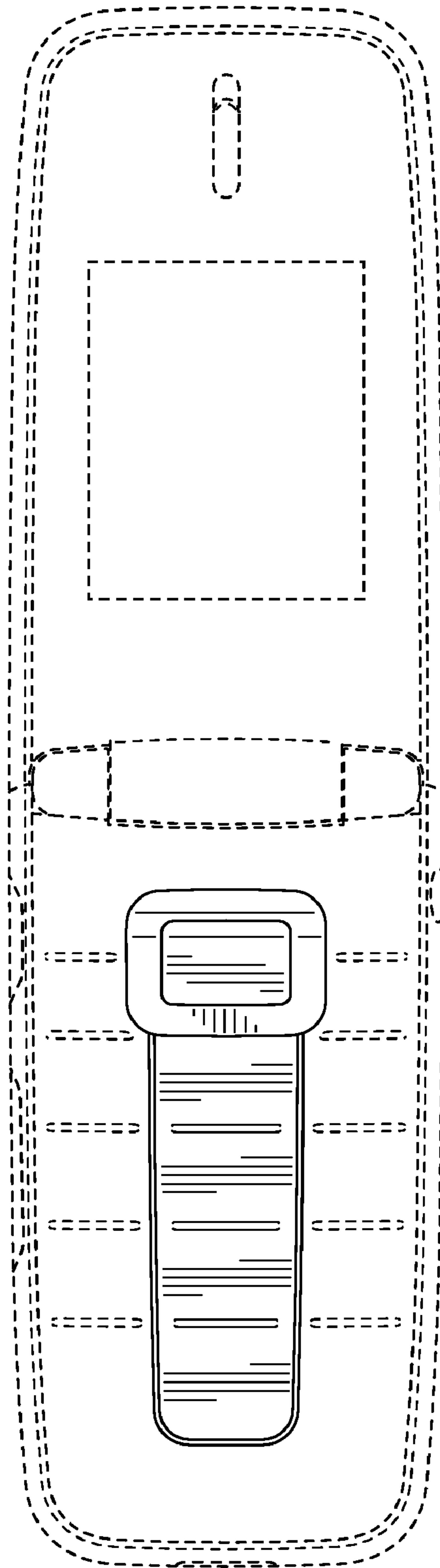


FIG. 2

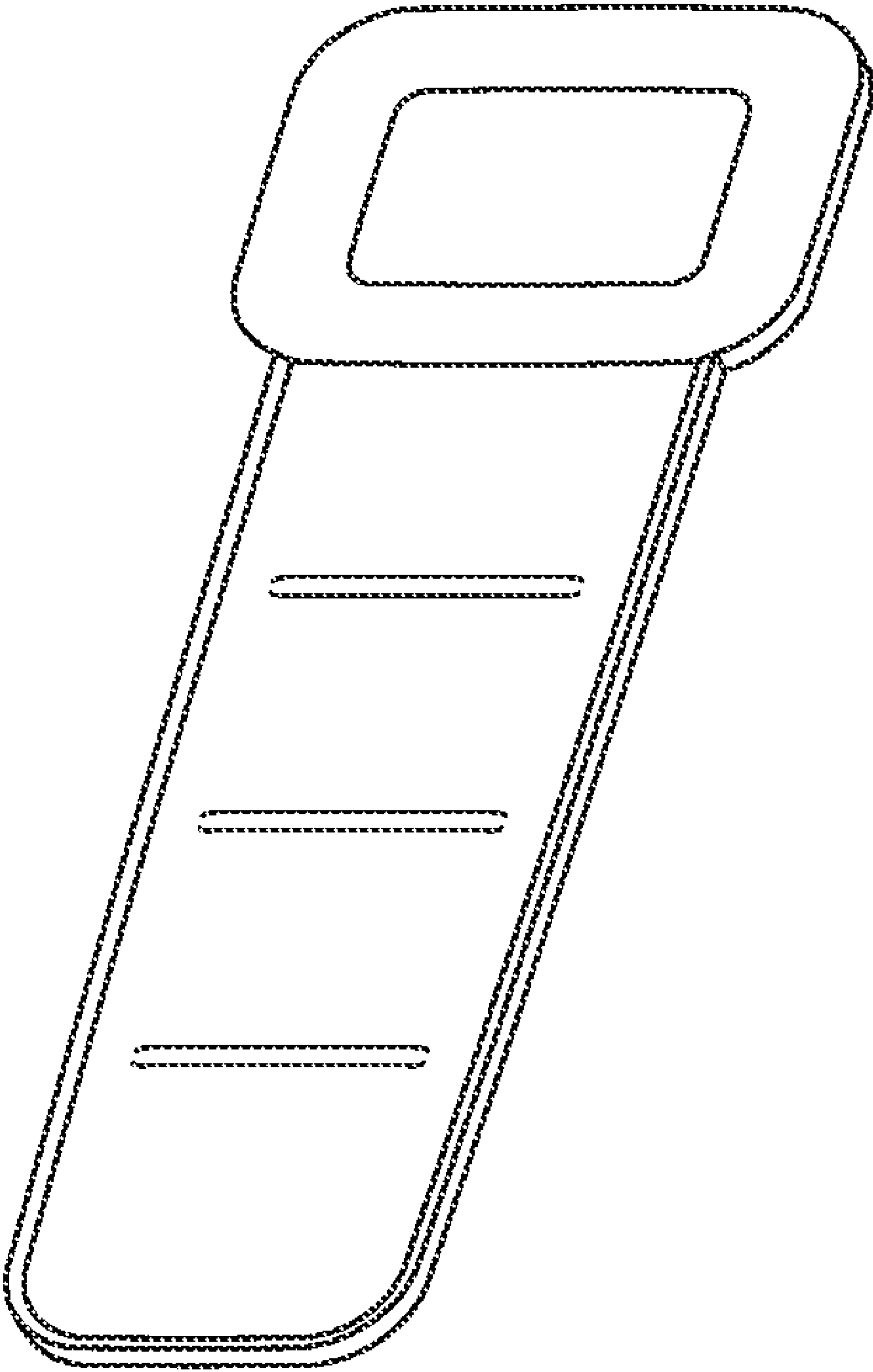


FIG. 3

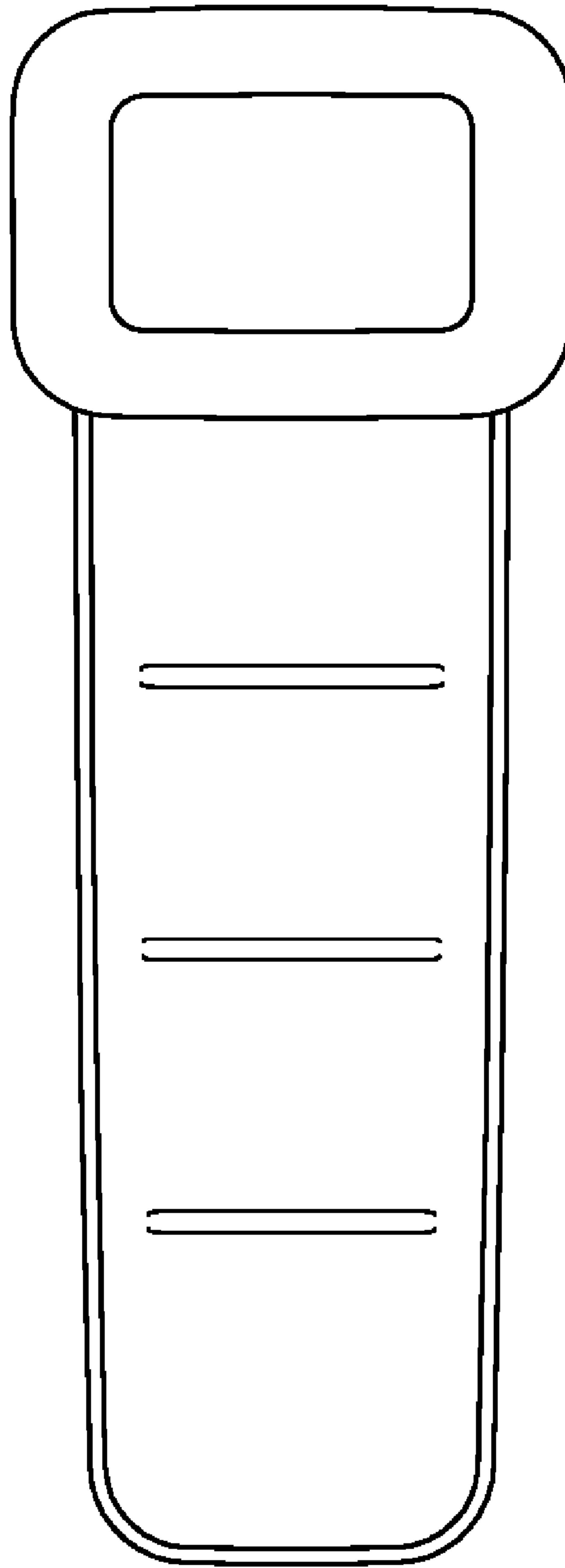


FIG. 4



FIG. 5



FIG. 6



FIG. 7



FIG. 8

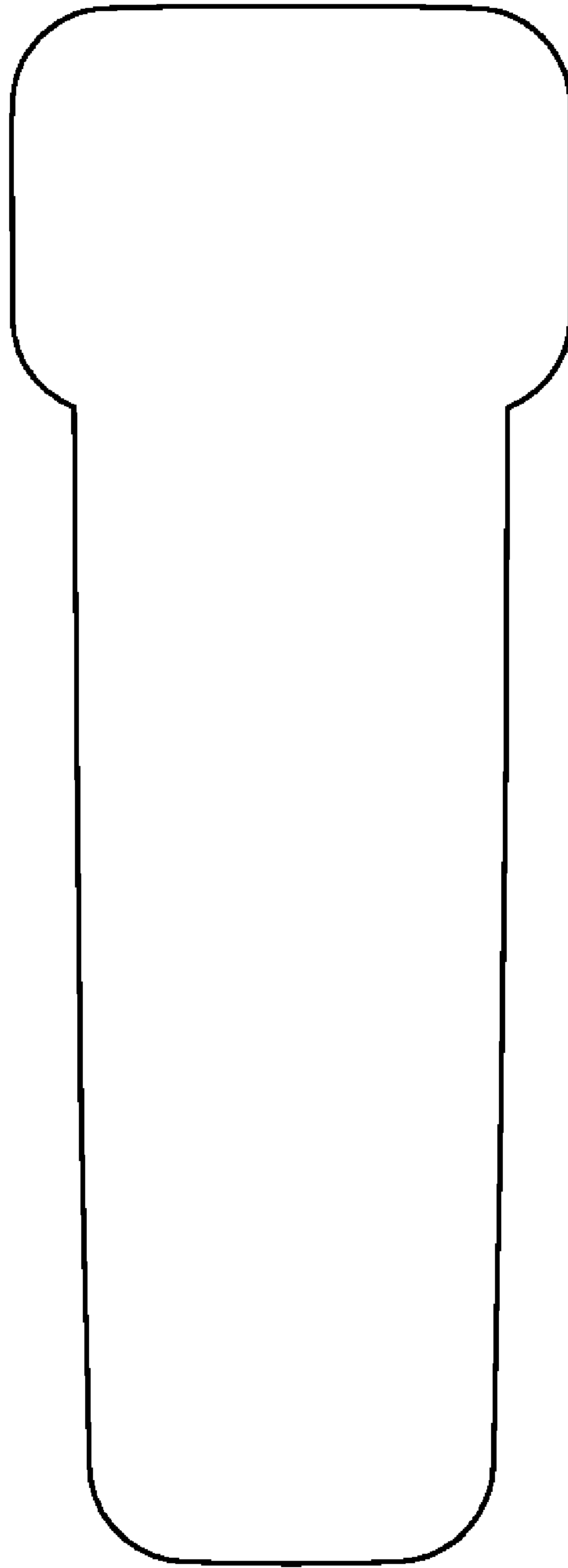


FIG. 9