



US00D594443S

(12) **United States Design Patent**  
**Lee et al.**

(10) **Patent No.:** **US D594,443 S**  
(45) **Date of Patent:** **\*\* Jun. 16, 2009**

(54) **WIRELESS HEADSET**

(75) Inventors: **Sung-Ho Lee**, Seoul (KR); **Chol-Ho Hwang**, Suwon-si (KR); **Chang-Hwan Hwang**, Goyang-si (KR)

(73) Assignee: **Samsung Electronics Co., Ltd.**, Suwon-Si (KR)

(\*\*) Term: **14 Years**

(21) Appl. No.: **29/325,751**

(22) Filed: **Oct. 6, 2008**

(51) **LOC (9) Cl.** ..... **14-01**

(52) **U.S. Cl.** ..... **D14/223**

(58) **Field of Classification Search** ..... D14/205, D14/206, 223, 228, 218, 240, 191; 181/129, 181/130; 379/430, 446, 374, 376, 377, 378, 379/300, 381, 420.01, 420.02; 381/380, 381/385, 375; 455/575.1, 575.2; D13/158, D13/168

See application file for complete search history.

(56) **References Cited**

**U.S. PATENT DOCUMENTS**

D462,333 S \* 9/2002 Novak ..... D13/168

D490,799 S \* 6/2004 Gubbels et al. .... D14/191  
D576,612 S \* 9/2008 Wilson et al. .... D14/228  
D579,925 S \* 11/2008 Jaakkola et al. .... D14/223  
D583,800 S \* 12/2008 Jaakkola et al. .... D14/205  
D584,283 S \* 1/2009 Soetejo et al. .... D14/205  
D585,430 S \* 1/2009 Kim et al. .... D14/223

\* cited by examiner

*Primary Examiner*—Paula Greene

(74) *Attorney, Agent, or Firm*—Staas & Halsey LLP

(57) **CLAIM**

The ornamental design for a wireless headset, as shown and described.

**DESCRIPTION**

FIG. 1 is a perspective view of a wireless headset according to our new design;

FIG. 2 is a front elevational view thereof;

FIG. 3 is a rear elevational view thereof;

FIG. 4 is a left side elevational view thereof;

FIG. 5 is a right side elevational view thereof;

FIG. 6 is a top plan view thereof; and,

FIG. 7 is a bottom plan view thereof.

**1 Claim, 5 Drawing Sheets**

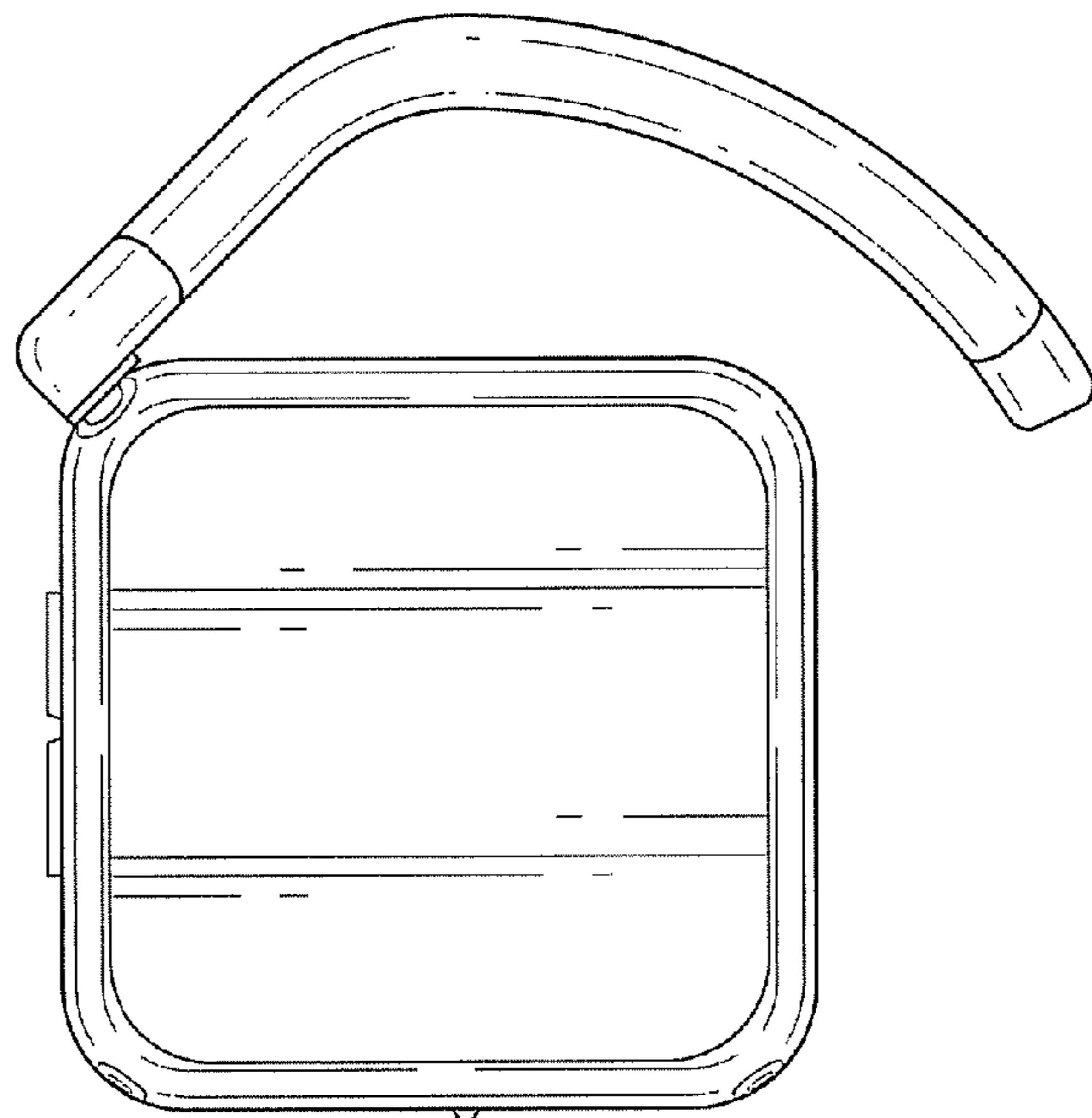
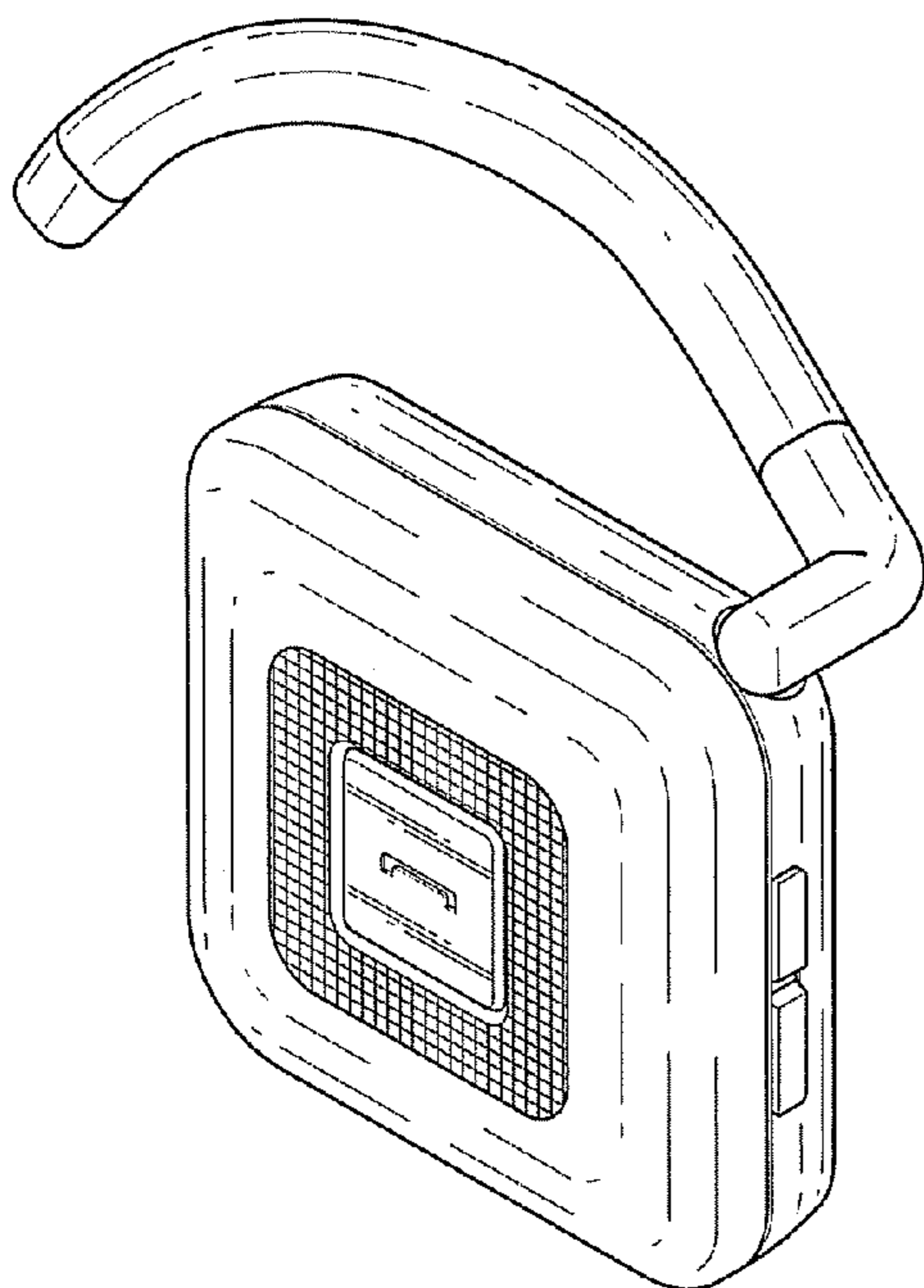


FIG. 1

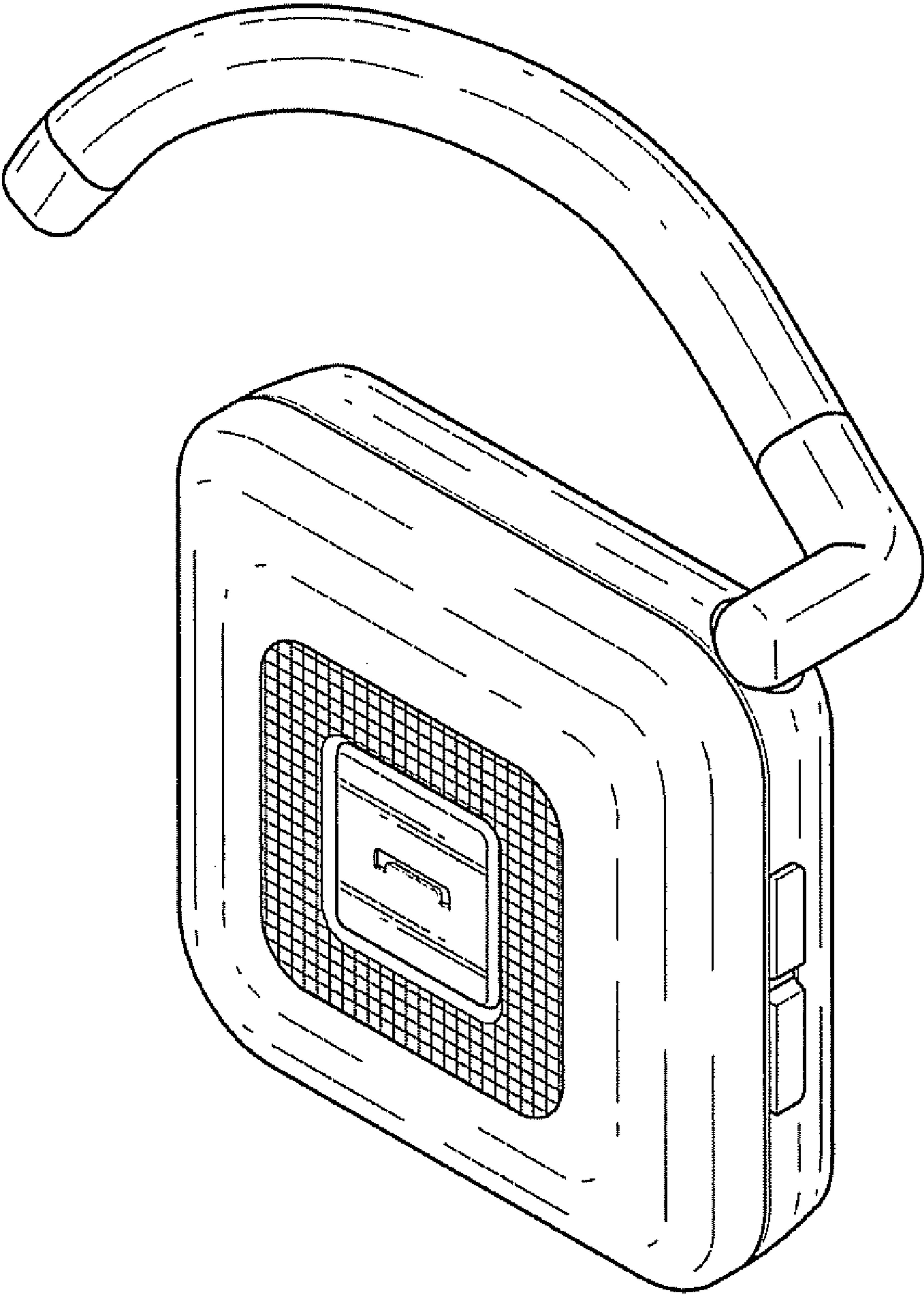


FIG. 2

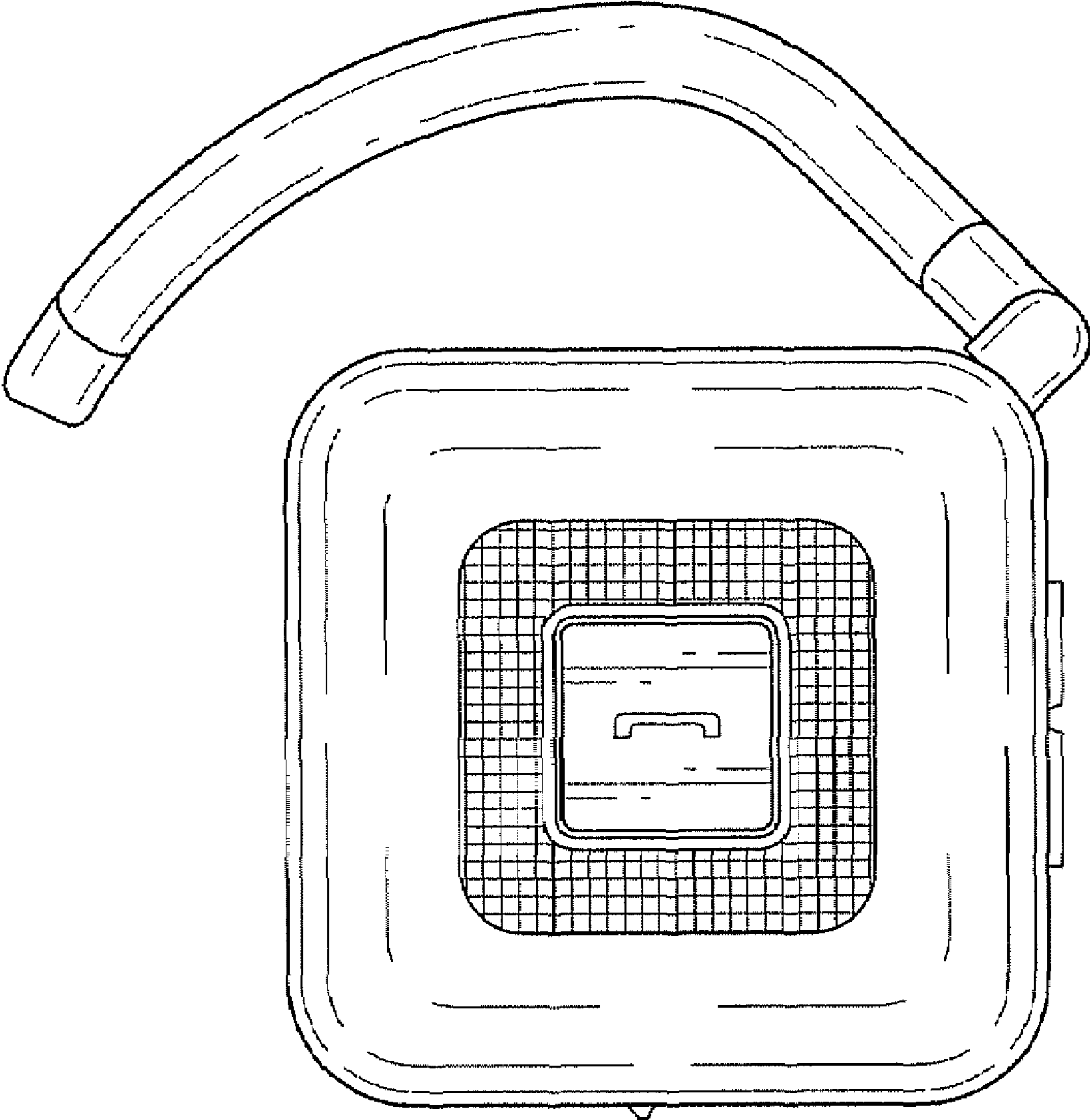


FIG. 3

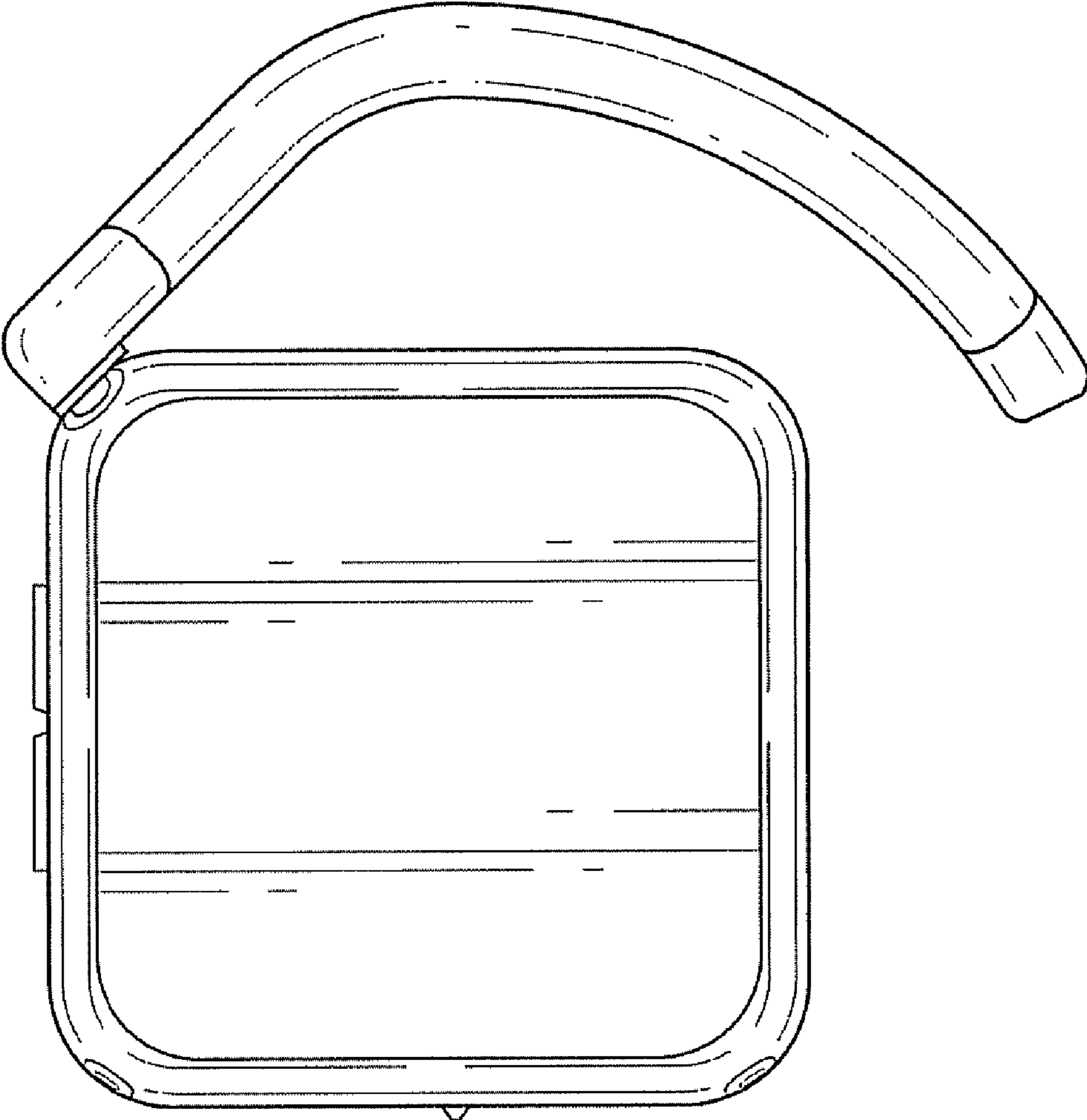


FIG. 4

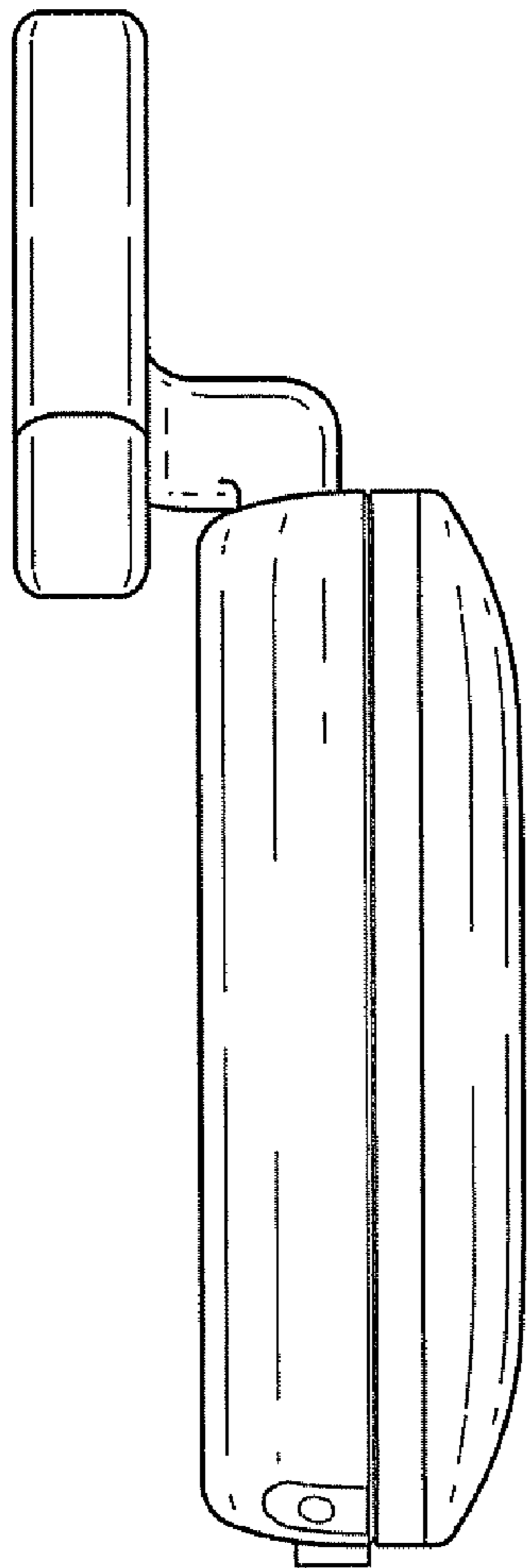


FIG. 5

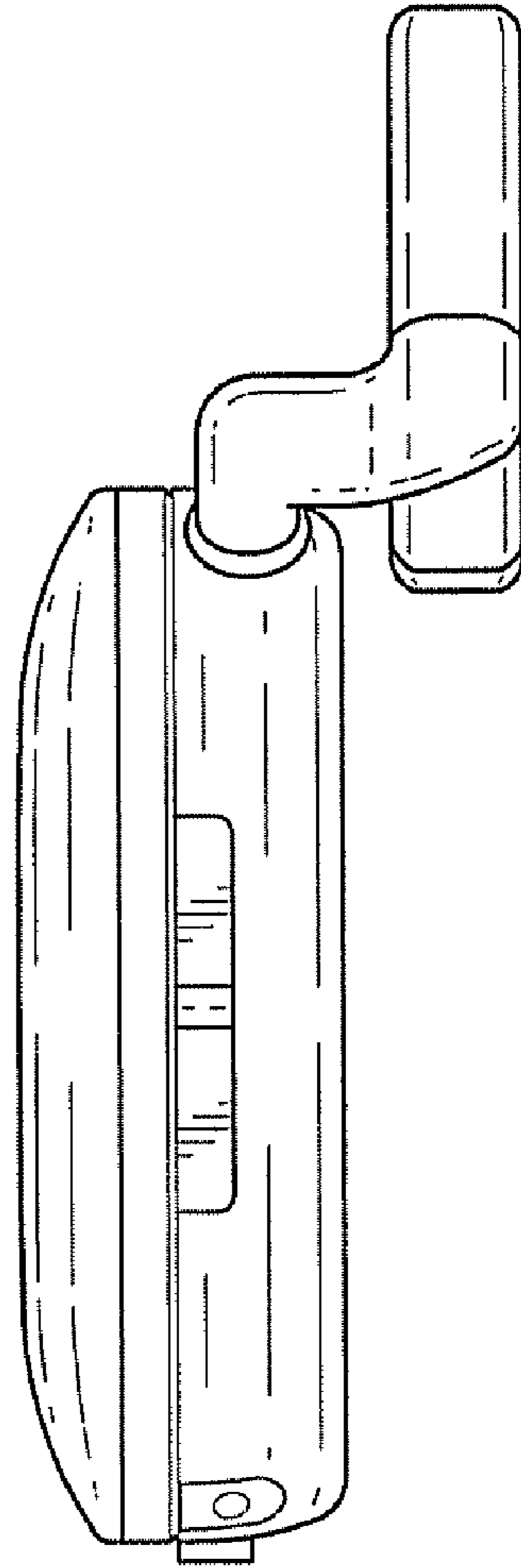




FIG. 6

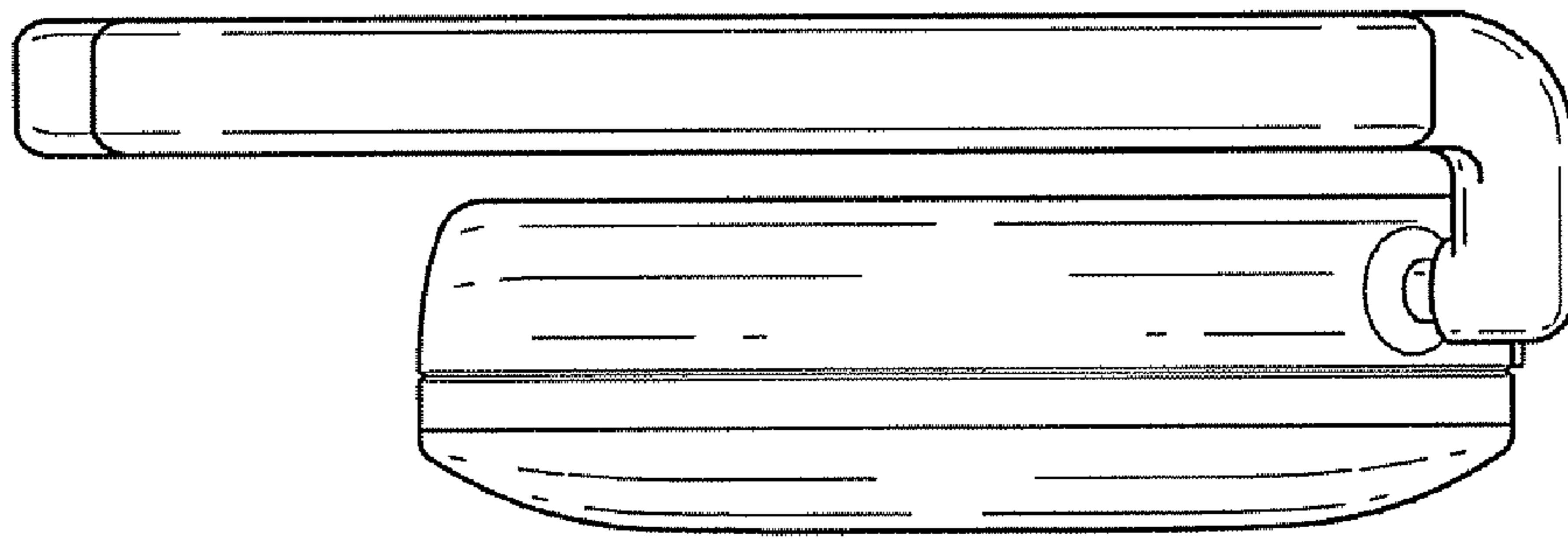


FIG. 7

