



US00D594441S

(12) **United States Design Patent**
Lee et al.

(10) **Patent No.:** **US D594,441 S**
(45) **Date of Patent:** **** Jun. 16, 2009**

(54) **PAIR OF IN EAR HEADPHONES**

D579,005 S * 10/2008 Wilhelmsen D14/223

(75) Inventors: **Noel Lee**, Las Vegas, NV (US); **Jacky Hsiung**, San Jose, CA (US); **Dan Hua**, San Jose, CA (US); **Kenny Au**, Chai Wan (CN)

* cited by examiner

Primary Examiner—Paula Greene
(74) *Attorney, Agent, or Firm*—LaRiviere, Grubman & Payne, LLP

(73) Assignee: **Monster Cable Products, Inc.**, Brisbane, CA (US)

(57) **CLAIM**

(**) Term: **14 Years**

The ornamental design for a pair of in ear headphones, as shown and described.

(21) Appl. No.: **29/322,188**

DESCRIPTION

(22) Filed: **Jul. 30, 2008**

A portion of the disclosure of this patent document contains material which is subject to copyright protection. The copyright owner has no objection to the facsimile reproduction by any one of the patent document or the patent disclosure, as it appears in the Patent and Trademark Office patent file or records, but otherwise reserves all copyright rights whatsoever.

(51) **LOC (9) Cl.** **14-01**

(52) **U.S. Cl.** **D14/205**

(58) **Field of Classification Search** D14/205,
D14/206, 223, 142, 188, 192; 181/129, 130,
181/131, 135, 137; 379/430, 431, 420.04;
381/380, 381, 370, 373, 378

See application file for complete search history.

FIG. 1 is a perspective view of a pair of in ear headphones showing our new design;

FIG. 2 is a front view thereof;

FIG. 3 is a rear view thereof;

FIG. 4 is a side elevation view of a pair of in ear headphones with one in ear headphone shown separately for ease of illustration;

FIG. 5 is an opposing opposite side elevational view of a pair of in ear headphones with one in ear headphone shown separately for ease of illustration;

FIG. 6 is a top view thereof; and,

FIG. 7 is a bottom view thereof.

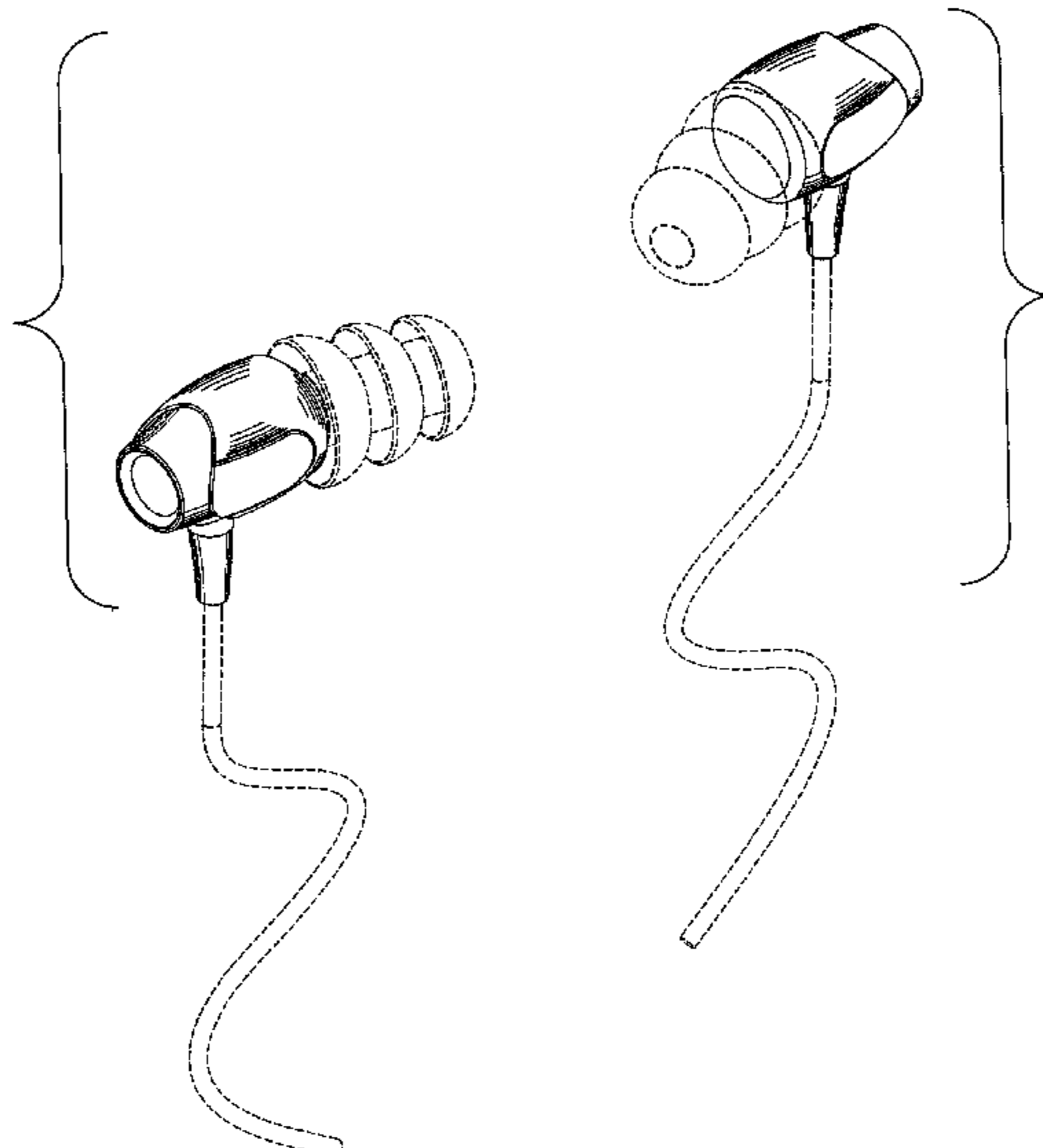
The broken lines showing the environment in the Figures are for illustrative purposes only and form no part of the claimed design.

(56) **References Cited**

U.S. PATENT DOCUMENTS

D205,072 S *	6/1966	Scanlon	D14/205
5,410,608 A *	4/1995	Lucey et al.	381/360
D431,553 S *	10/2000	Suzuki	D14/223
D469,753 S *	2/2003	Andre et al.	D14/205
D554,627 S *	11/2007	Gondo	D14/223
D555,152 S *	11/2007	Wang	D14/223
D564,495 S *	3/2008	Sasaki	D14/205
D569,841 S *	5/2008	Chung et al.	D14/205
D572,703 S *	7/2008	Ledbetter et al.	D14/205
D575,269 S *	8/2008	Ledbetter et al.	D14/205
D576,154 S *	9/2008	Ledbetter et al.	D14/223
D578,507 S *	10/2008	Ando	D14/205
D578,508 S *	10/2008	Wang	D14/206
D578,517 S *	10/2008	Pausch	D14/223
D578,518 S *	10/2008	Ewert	D14/223

1 Claim, 5 Drawing Sheets



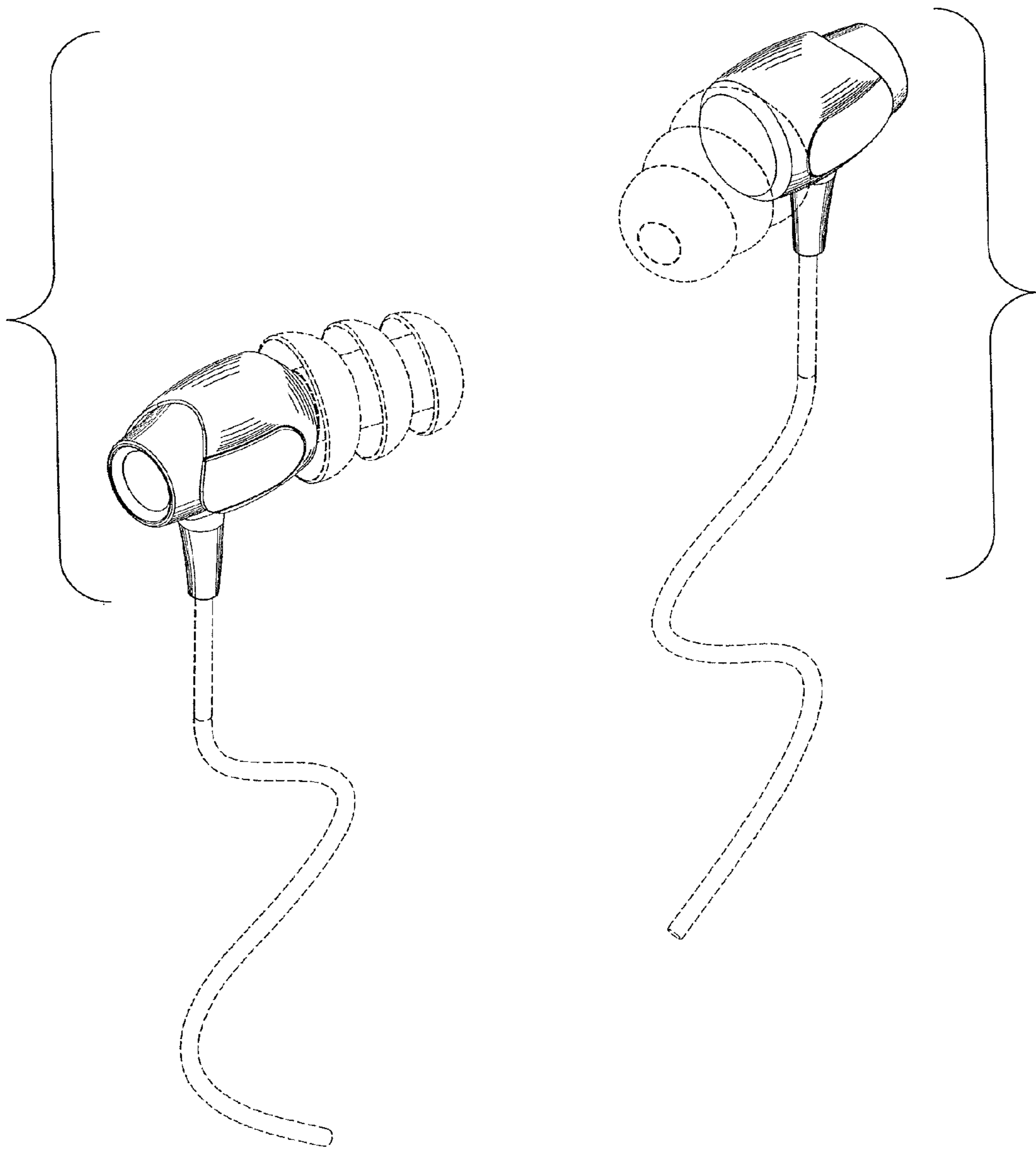


Figure 1

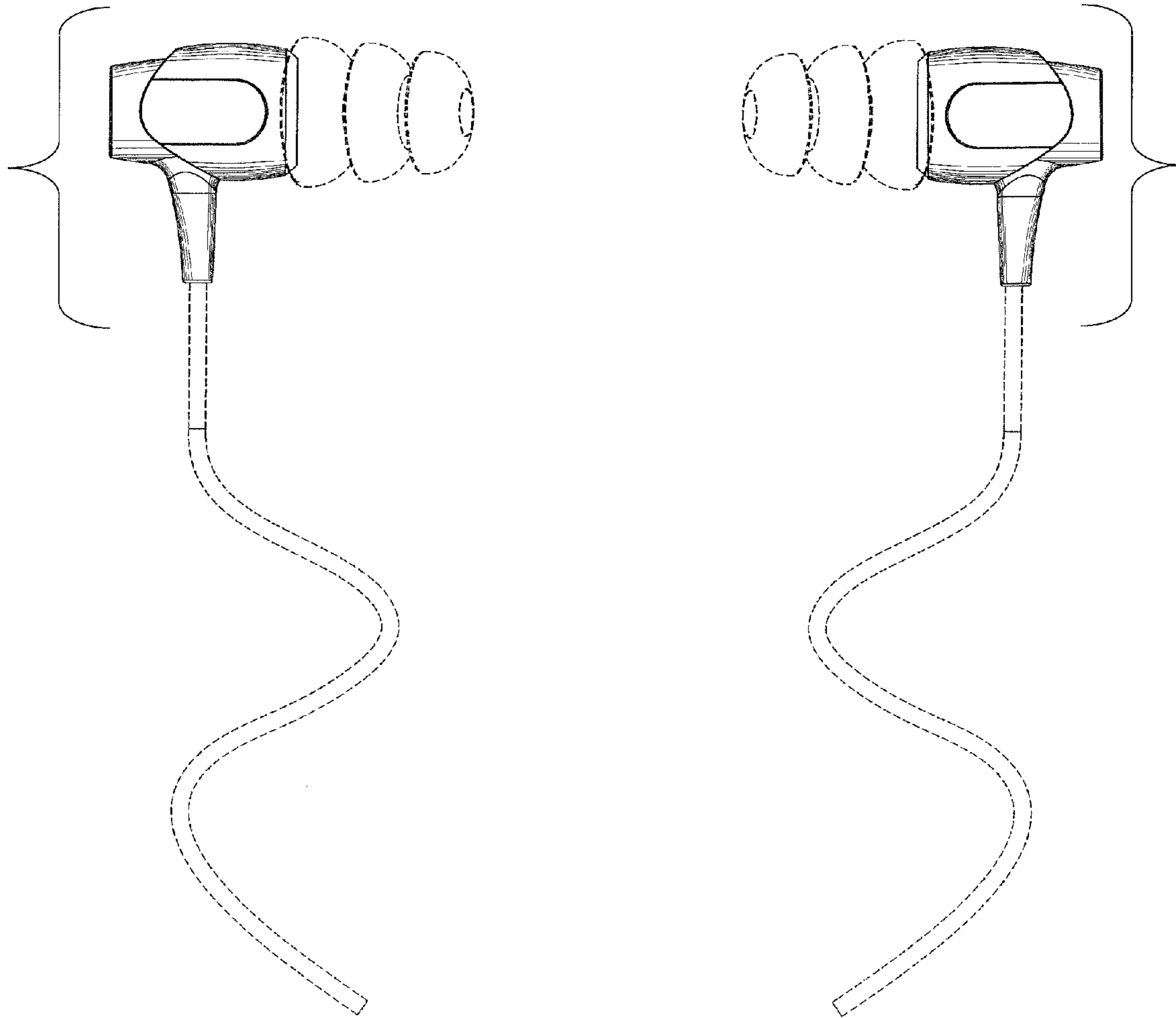


Figure 2

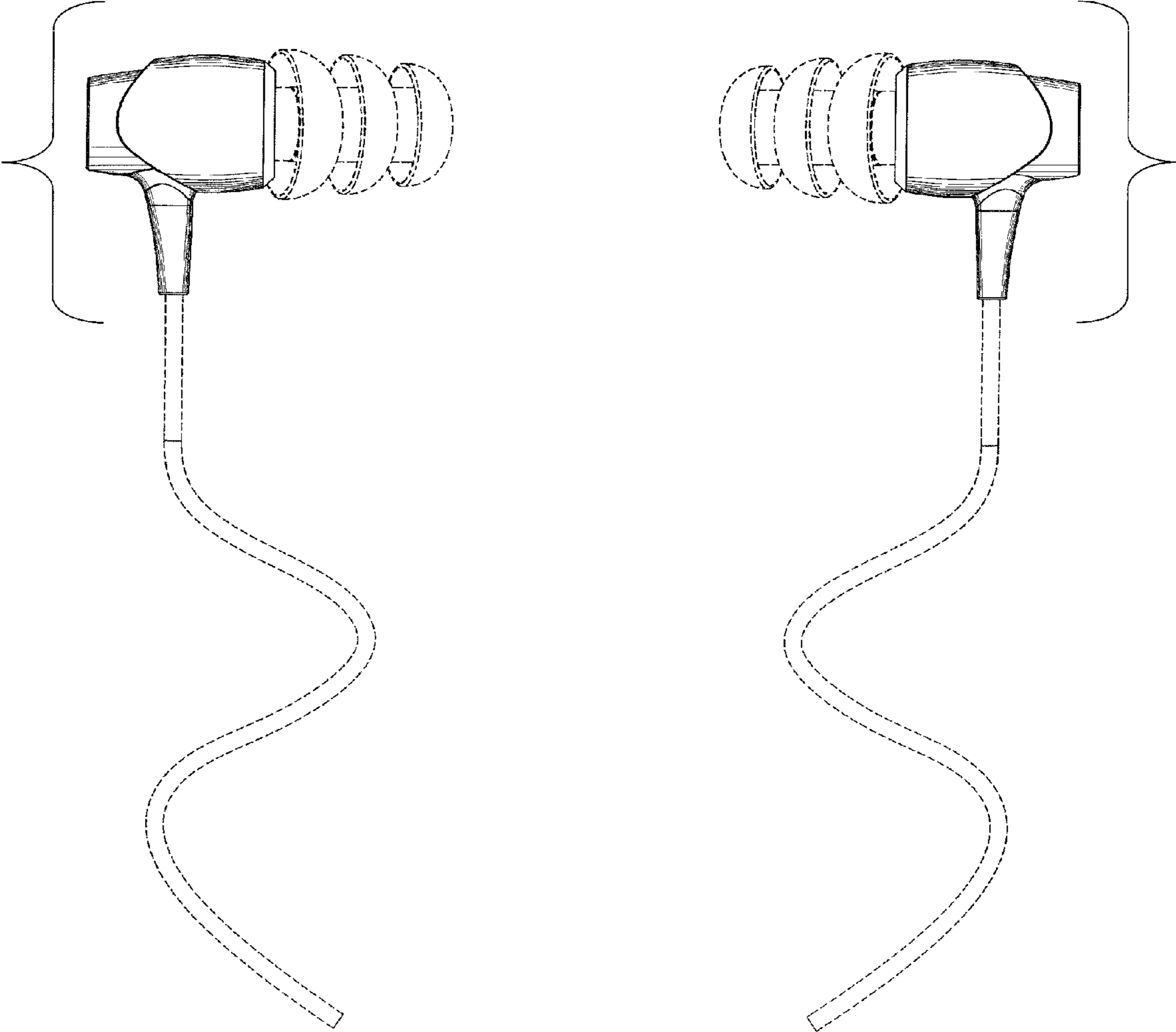


Figure 3

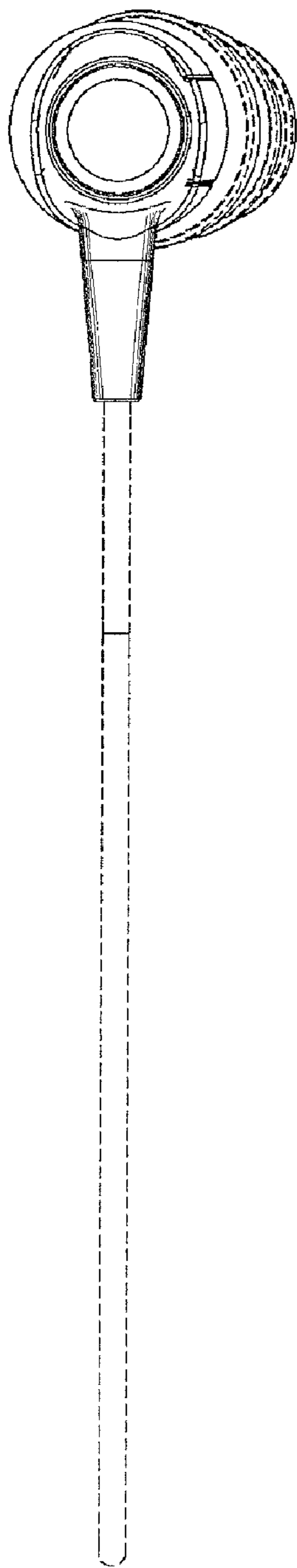


Figure 4

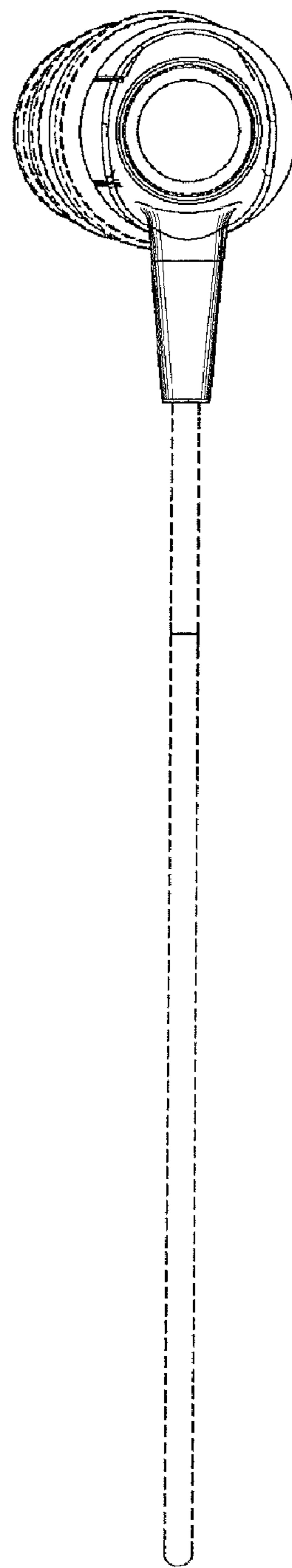


Figure 5

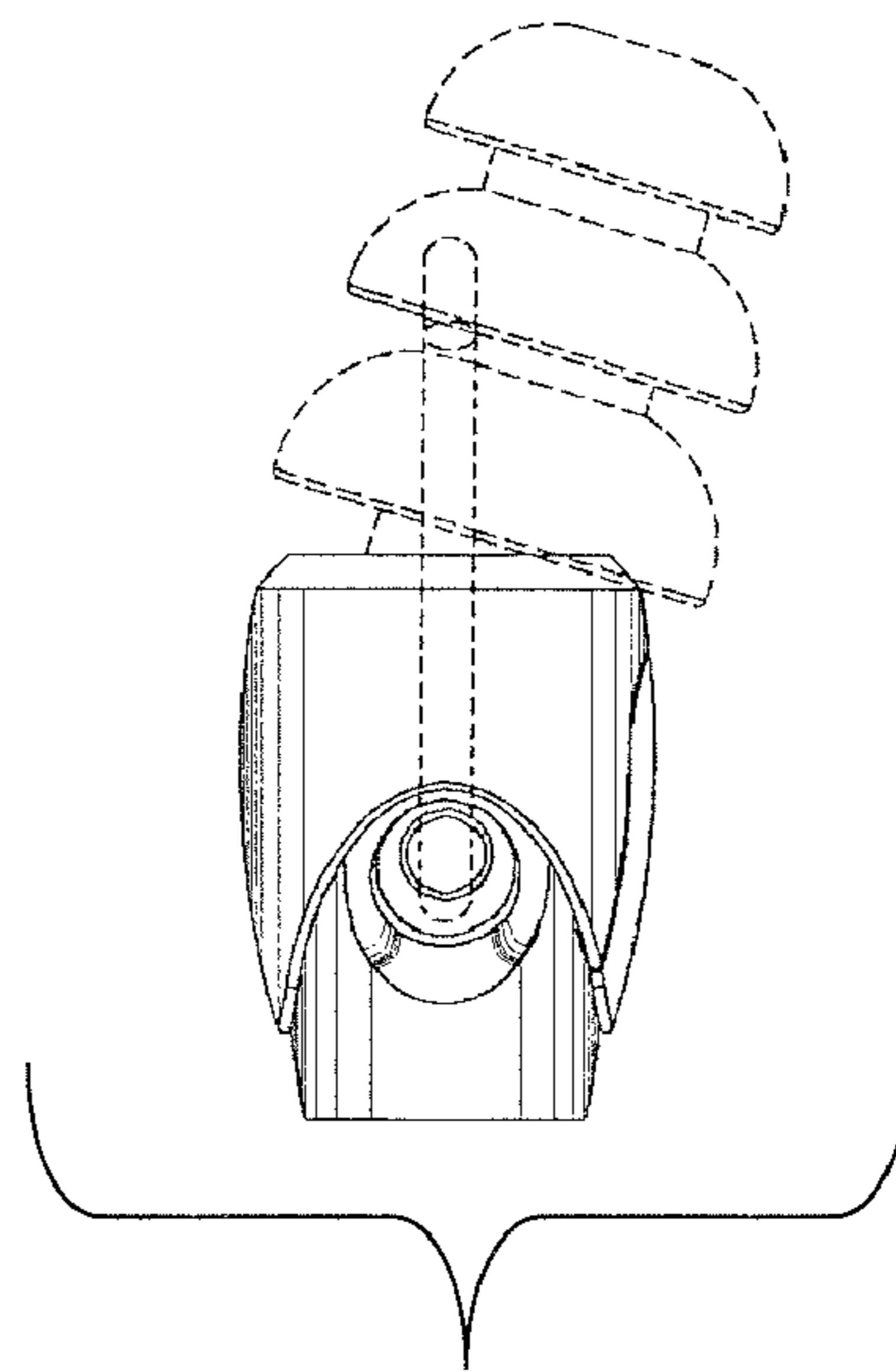
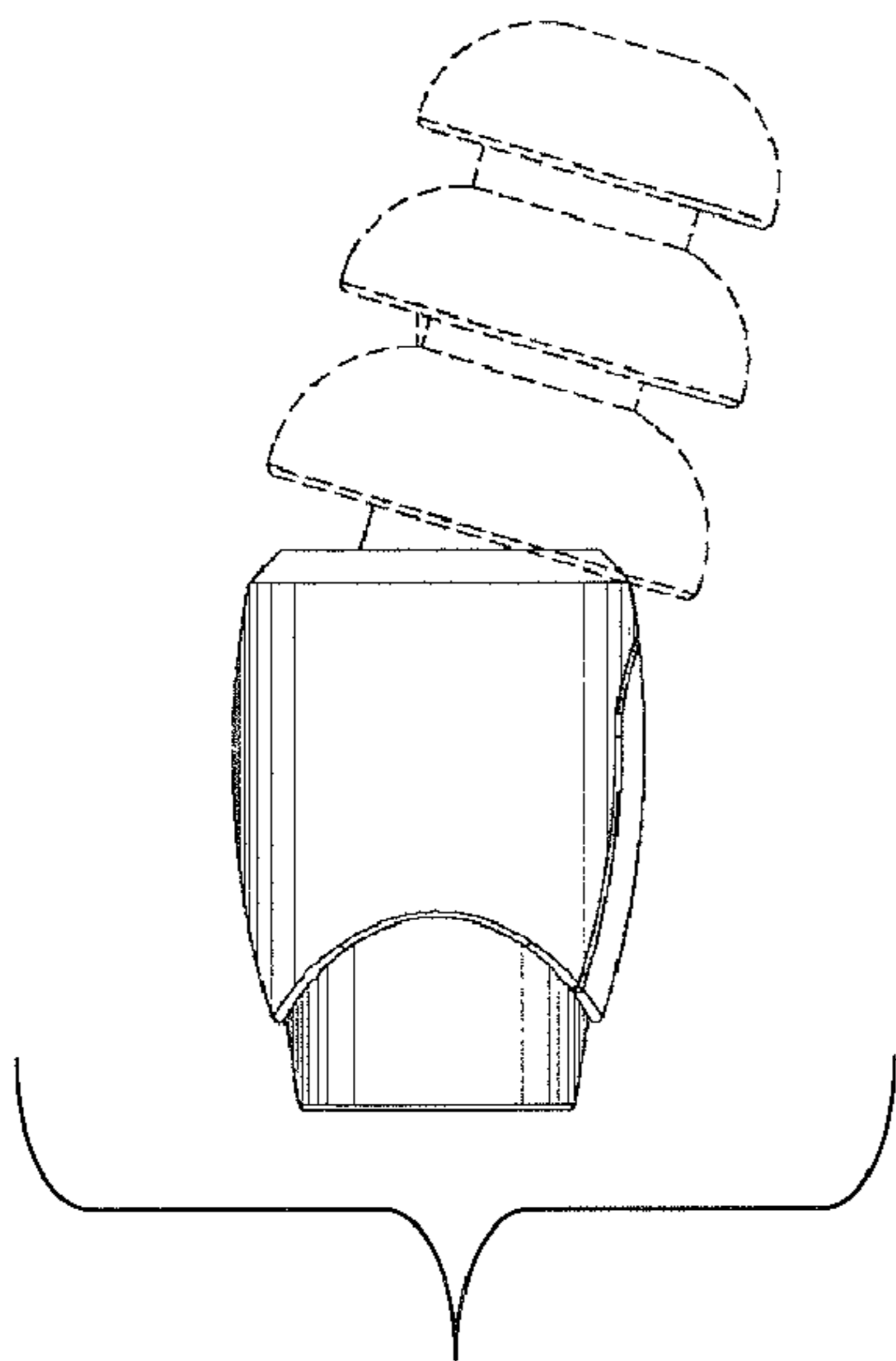
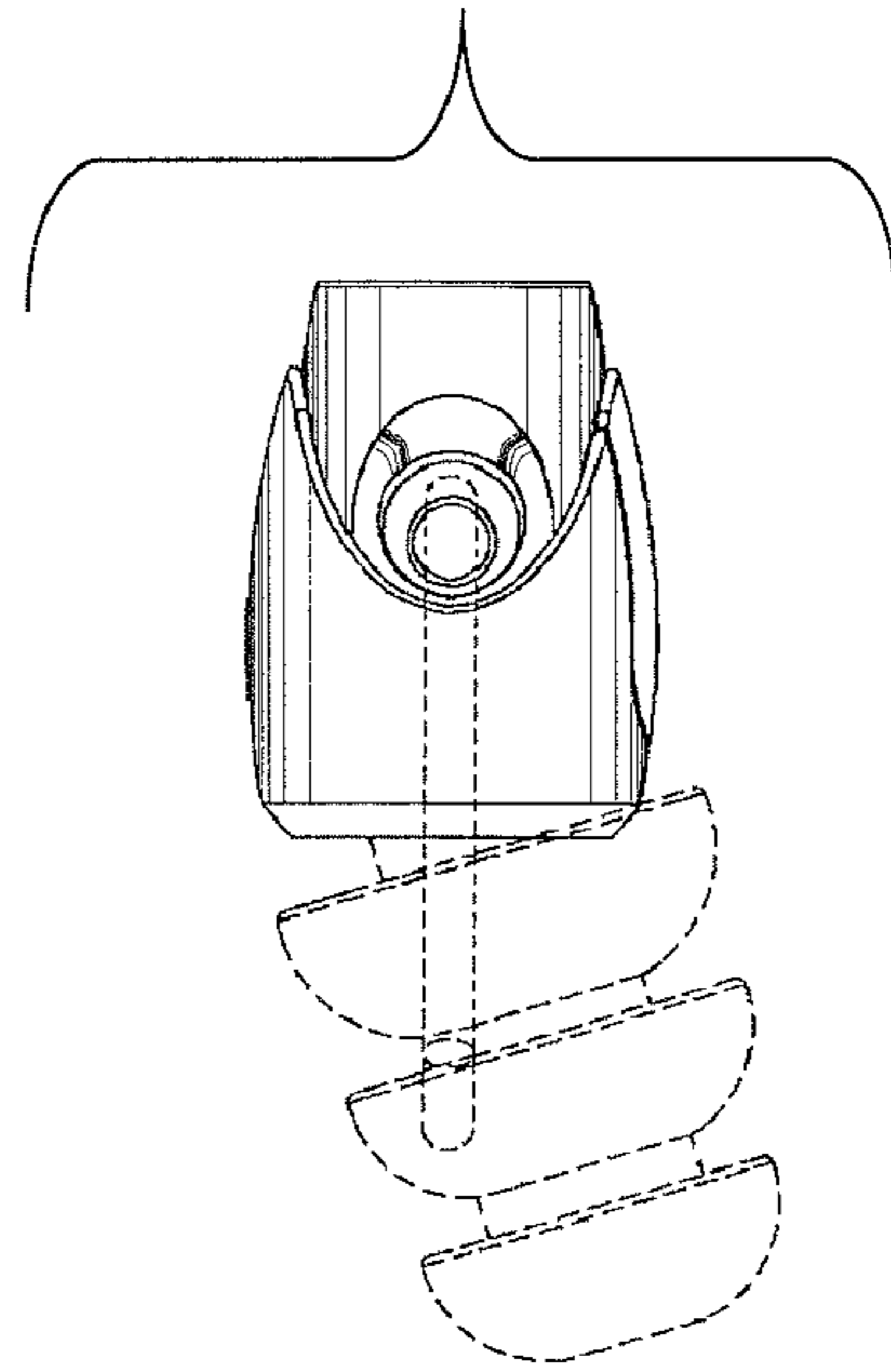
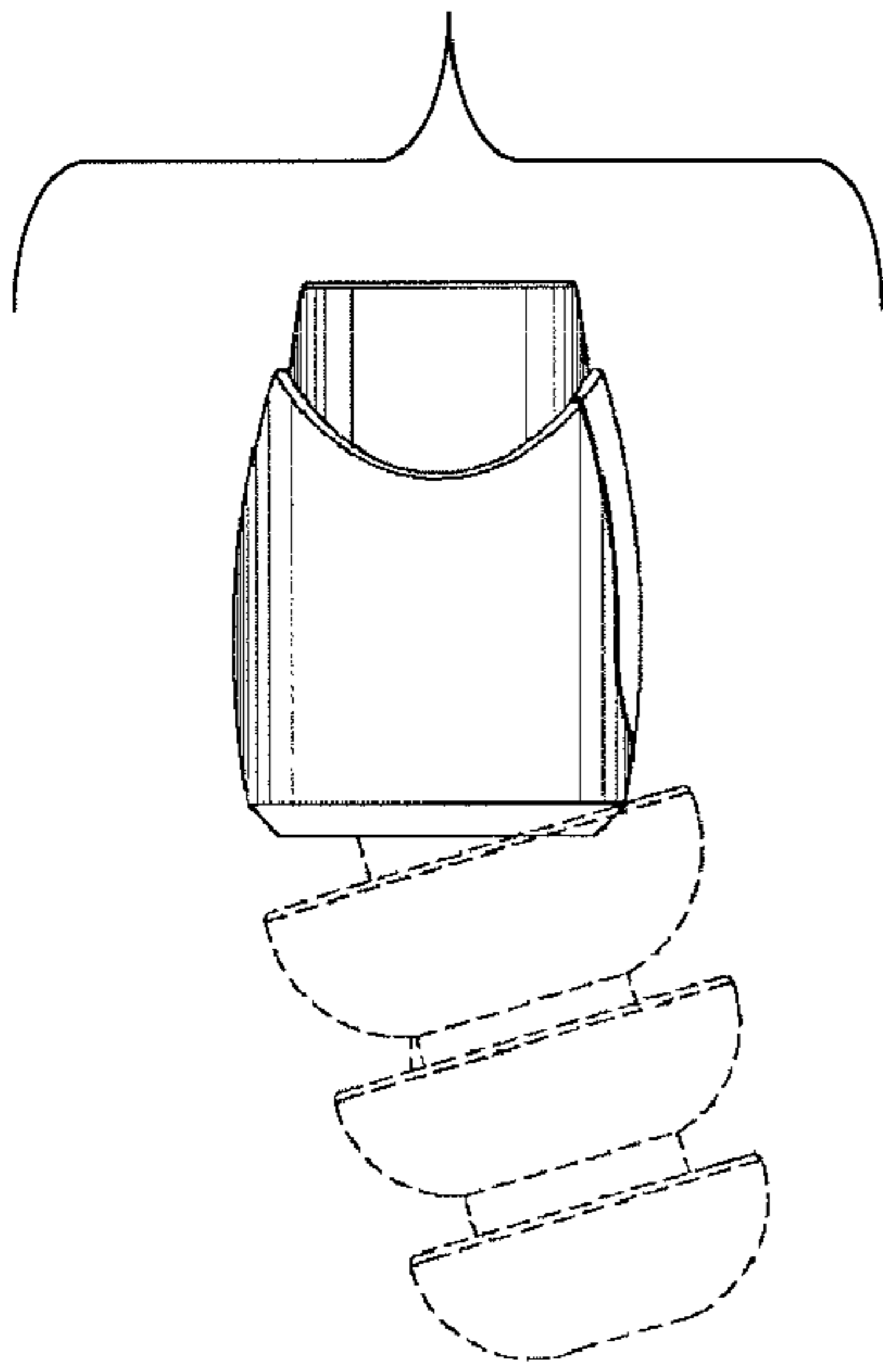


Figure 6

Figure 7