

US00D594439S

(12) **United States Design Patent**
Jeon et al.

(10) **Patent No.:** **US D594,439 S**
(45) **Date of Patent:** **** Jun. 16, 2009**

(54) **KEY-PHONE**

(75) Inventors: **So-Yoon Jeon**, Kyunggi-do (KR);
Tai-Hyung Ju, Seoul (KR); **Sang-Sung Woo**, Seoul (KR); **Kyung-Hoon Lee**, Seoul (KR)

(73) Assignee: **Samsung Electronics Co., Ltd.**,
Kyunggi-do (KR)

(**) Term: **14 Years**

(21) Appl. No.: **29/310,073**

(22) Filed: **Jul. 24, 2008**

(51) **LOC (9) Cl.** **14-03**

(52) **U.S. Cl.** **D14/151**

(58) **Field of Classification Search** D14/125-130,
D14/136-137, 140-142, 147-151, 158-159,
D14/171, 188, 225-226, 240, 243, 247, 251,
D14/253, 349, 356, 358, 434; 379/88.17,
379/90.01, 93.17, 387.01, 388.02, 419-420.04,
379/428.01-428.04, 434-436, 440, 446-447,
379/454-455; 381/16, 71.1; D13/107-108;
191/12.2 R; 320/108, 110, 113-115; 455/411;
348/14.01-14.06

See application file for complete search history.

(56) **References Cited**

U.S. PATENT DOCUMENTS

D293,320 S * 12/1987 Ng D14/151
D293,905 S * 1/1988 Aschauer et al. D14/151
D294,351 S * 2/1988 Richter et al. D14/151
D300,319 S * 3/1989 Stokholm et al. D14/151
D316,024 S * 4/1991 Sharbaugh D14/151
D345,558 S * 3/1994 Hillenmayer et al. D14/151
D354,487 S * 1/1995 Nogas D14/151
D359,490 S * 6/1995 Arakaki et al. D14/146
D375,309 S * 11/1996 Toh D14/151
D457,152 S * 5/2002 Nam D14/151
D550,195 S 9/2007 Ju

D550,644 S 9/2007 Cho et al.
D552,071 S 10/2007 Park et al.
D552,588 S 10/2007 Park et al.
D558,181 S * 12/2007 Takada et al. D14/151
D576,146 S * 9/2008 Brown et al. D14/151
2006/0058003 A1 * 3/2006 Lee 455/403

FOREIGN PATENT DOCUMENTS

WO DM/052911 * 7/2000

OTHER PUBLICATIONS

General Electric 29490GE2, <URL:http://www.101phones.com/details/3362-1116/General-Electric-RCA-2-Line-Corded-Phones-29490GE2.html>, retrieved from internet Feb. 11, 2009.*

U.S. Appl. No. 29/308,571, Applicant : Sang-Sung Woo, et al., filed Jun. 24, 2008 entitled Key-Phone.

U.S. Appl. No. 29/308,568, Applicant : Tai-Hyung Ju, et al., filed Jun. 24, 2008 entitled Main Apparatus of Key-Phone.

* cited by examiner

Primary Examiner—Ian Simmons

Assistant Examiner—Carla Jobe Wright

(74) *Attorney, Agent, or Firm*—Flynn, Thiel, Boutell & Tanis, P.C.

(57) **CLAIM**

The ornamental design for a key-phone, as shown and described.

DESCRIPTION

FIG. 1 is a top front perspective view of a key-phone showing our new design;

FIG. 2 is a front elevational view thereof;

FIG. 3 is a rear elevational view thereof;

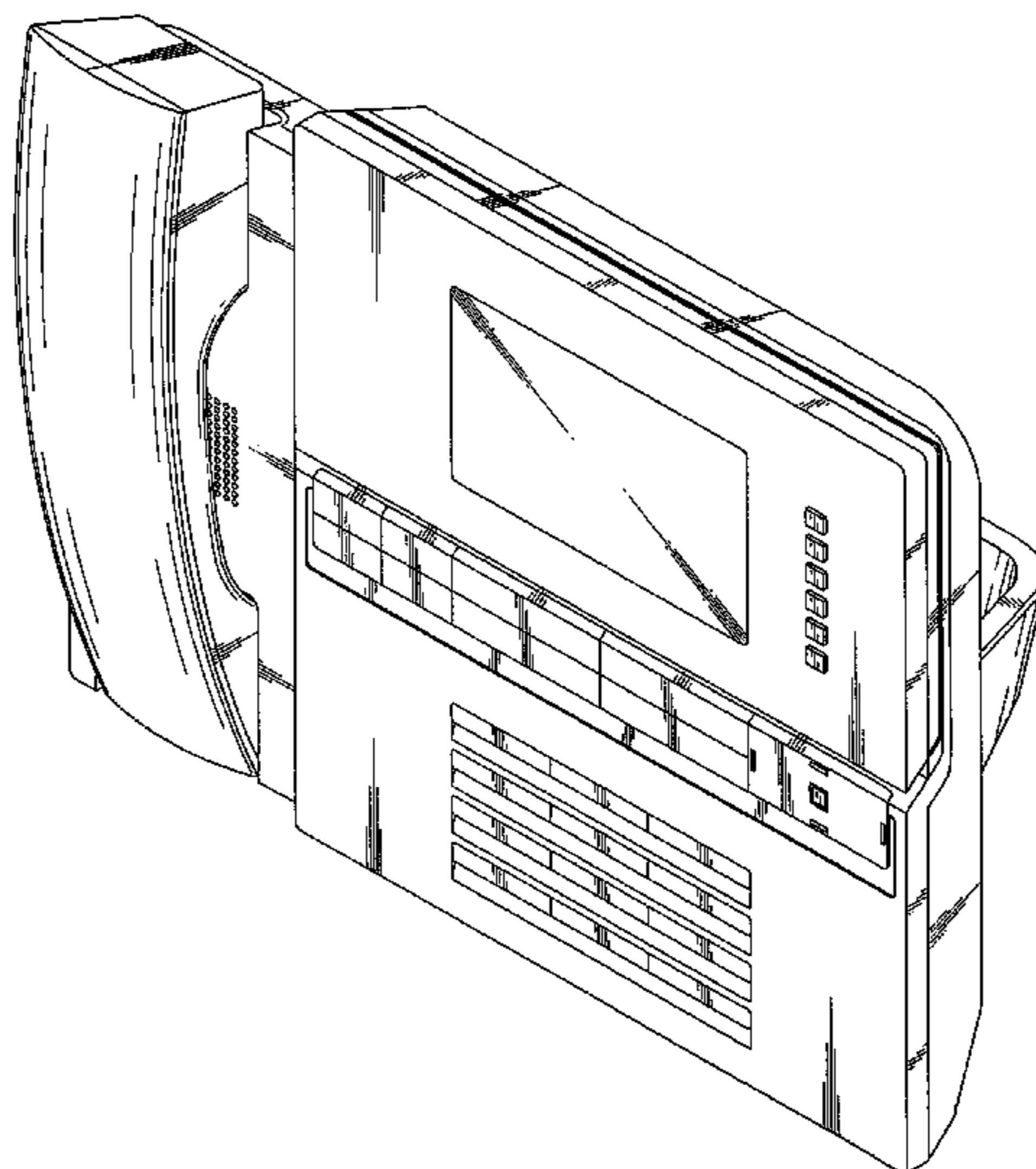
FIG. 4 is a left side elevational view thereof;

FIG. 5 is a right side elevational view thereof;

FIG. 6 is a top plan view thereof; and,

FIG. 7 is a bottom plan view thereof.

1 Claim, 6 Drawing Sheets



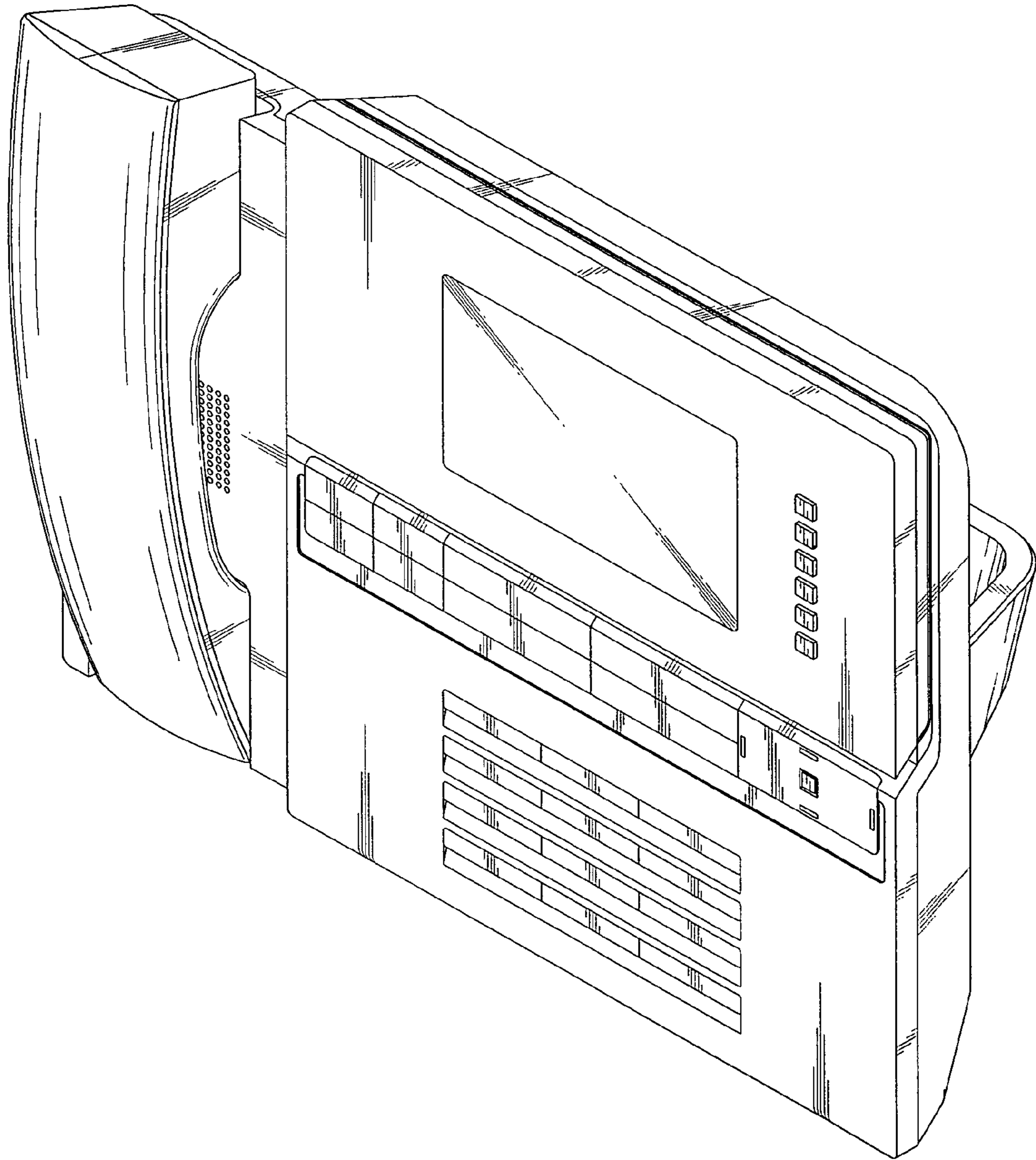


FIG. 1

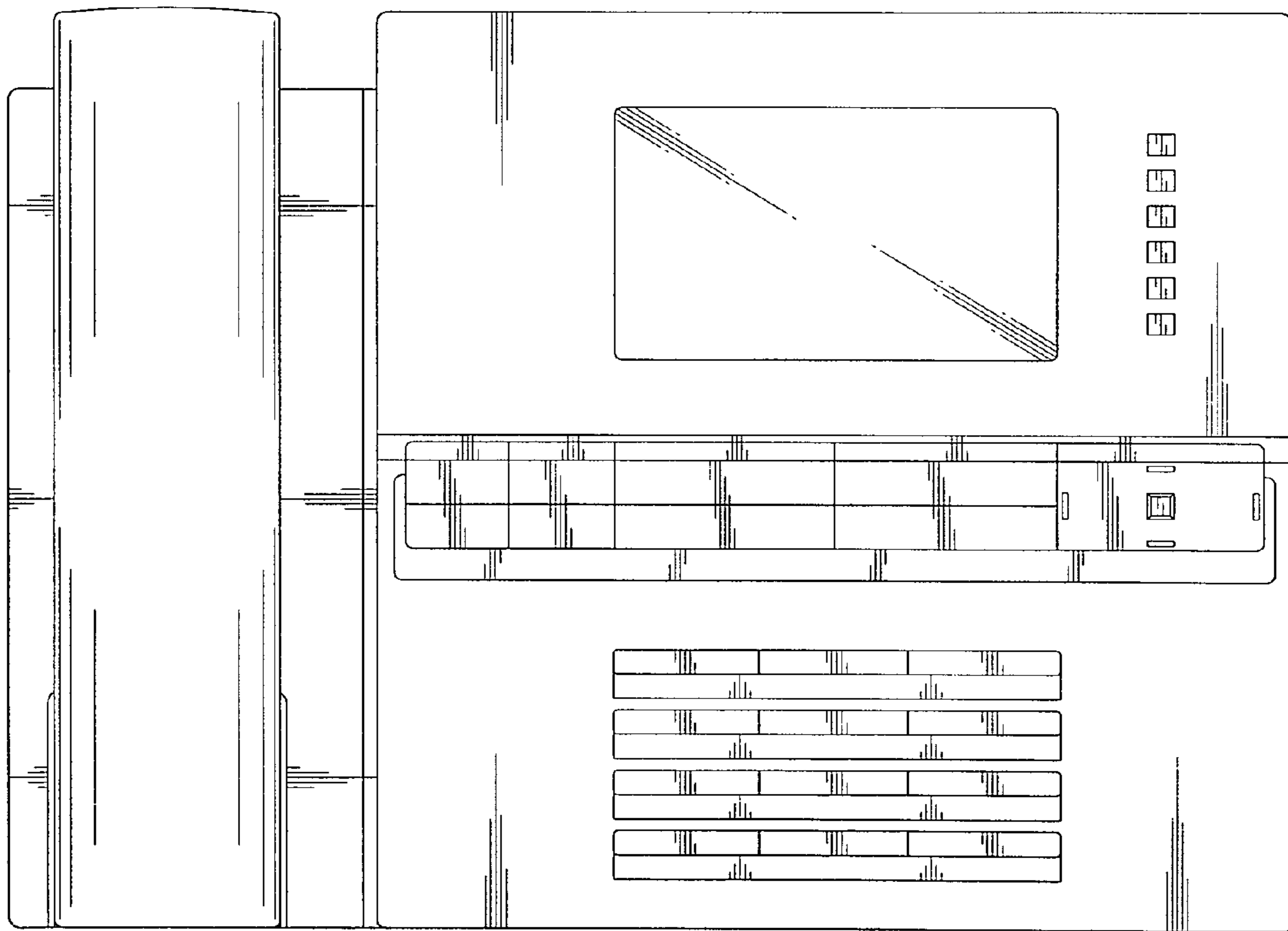


FIG.2

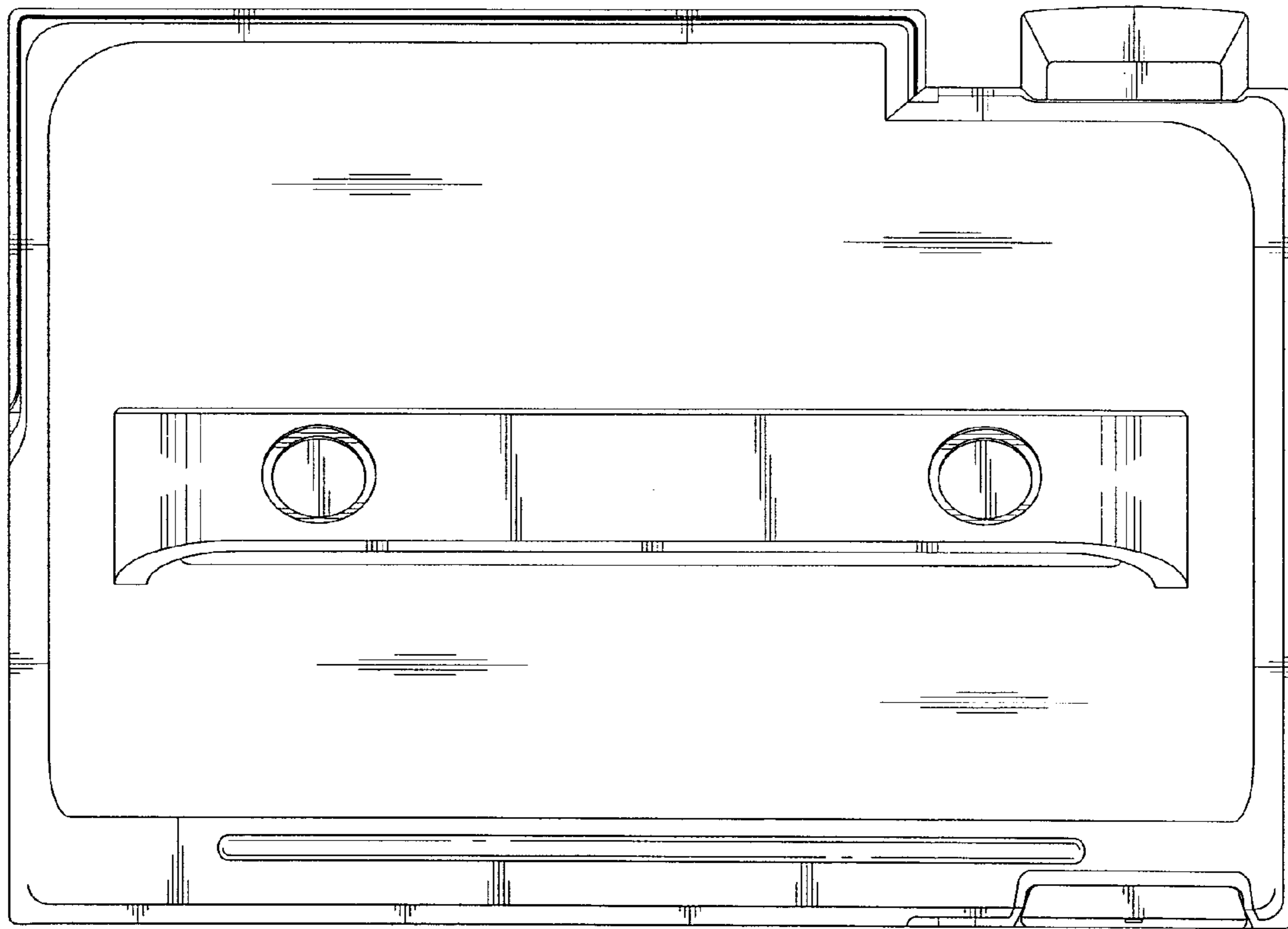


FIG.3

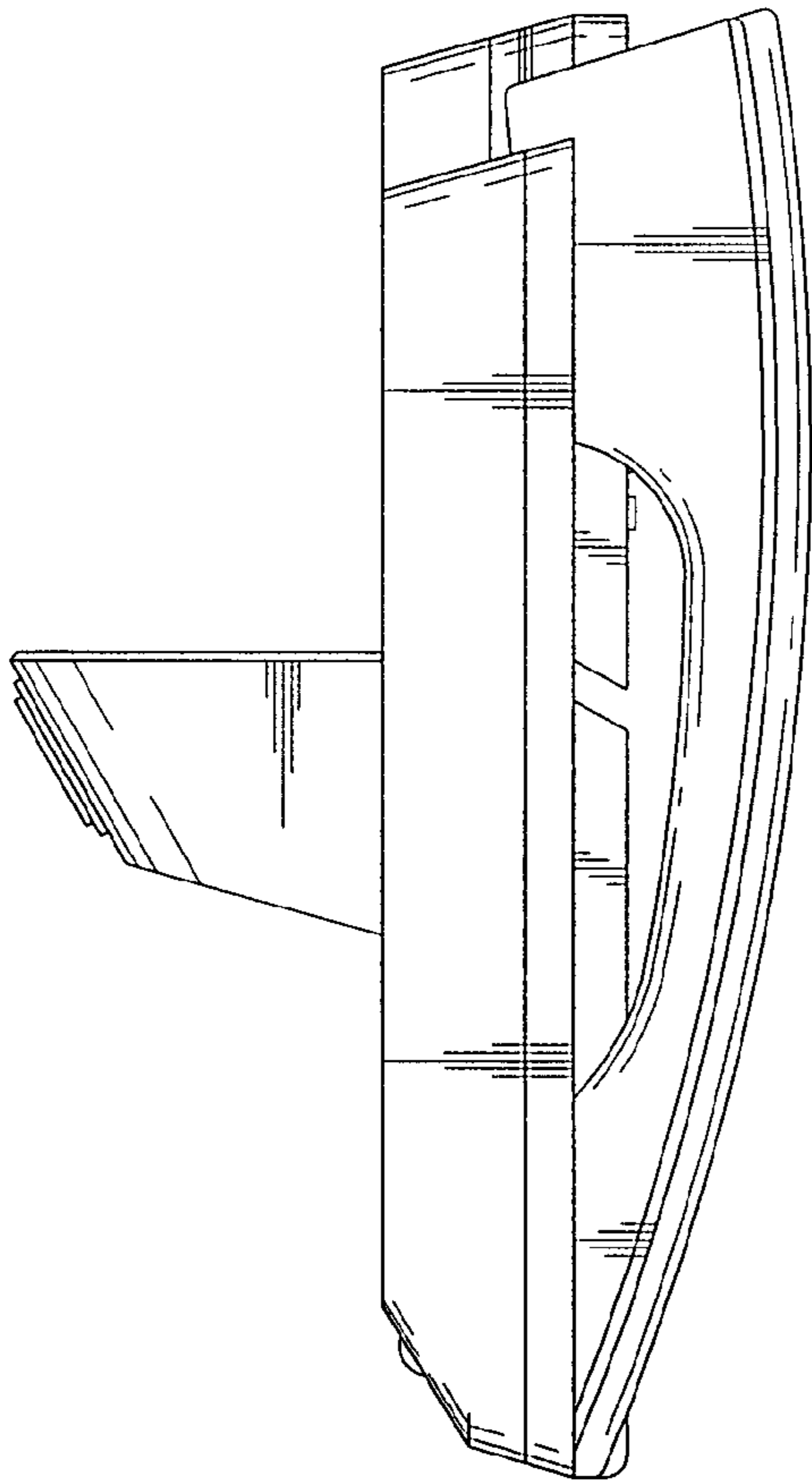


FIG. 4

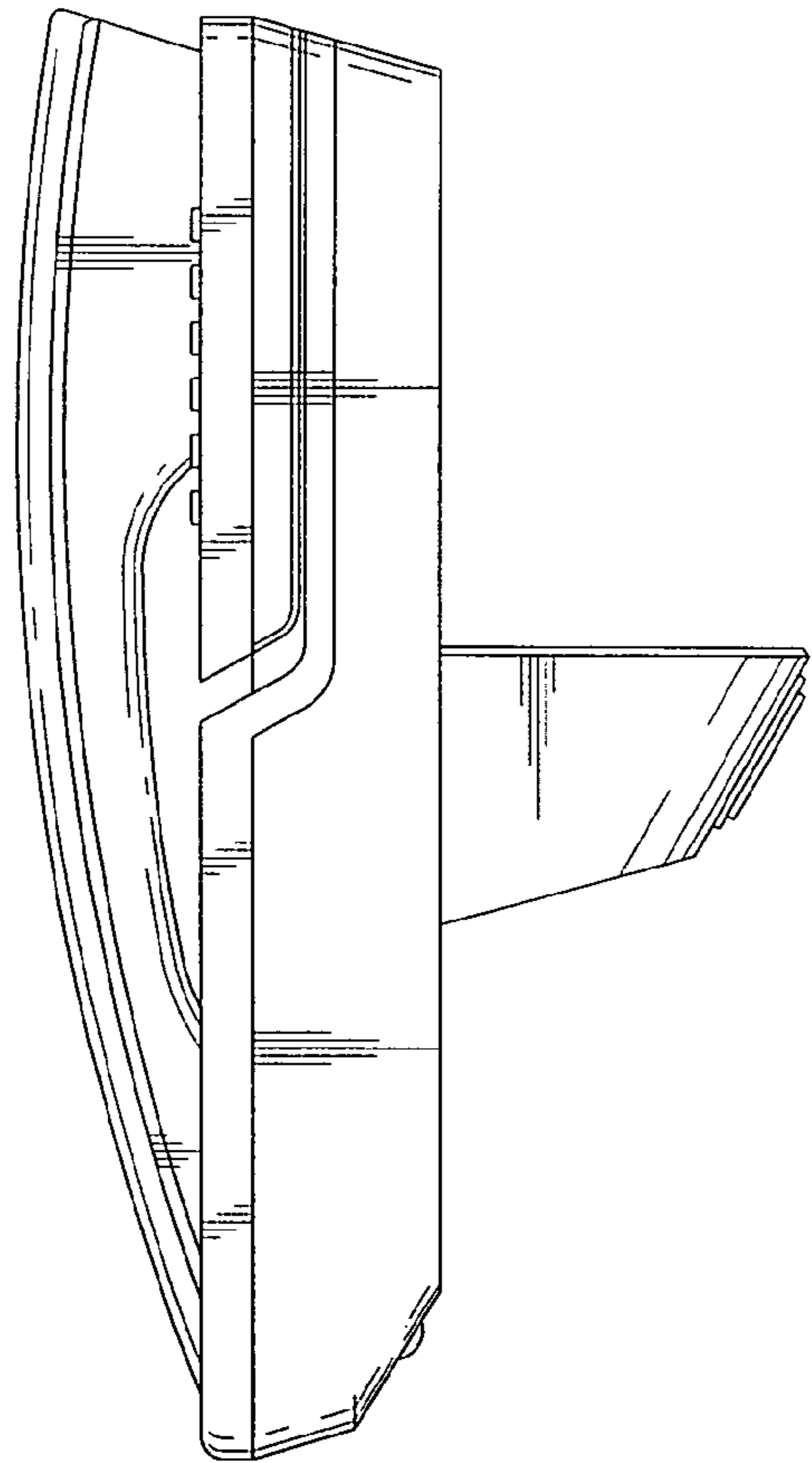


FIG. 5

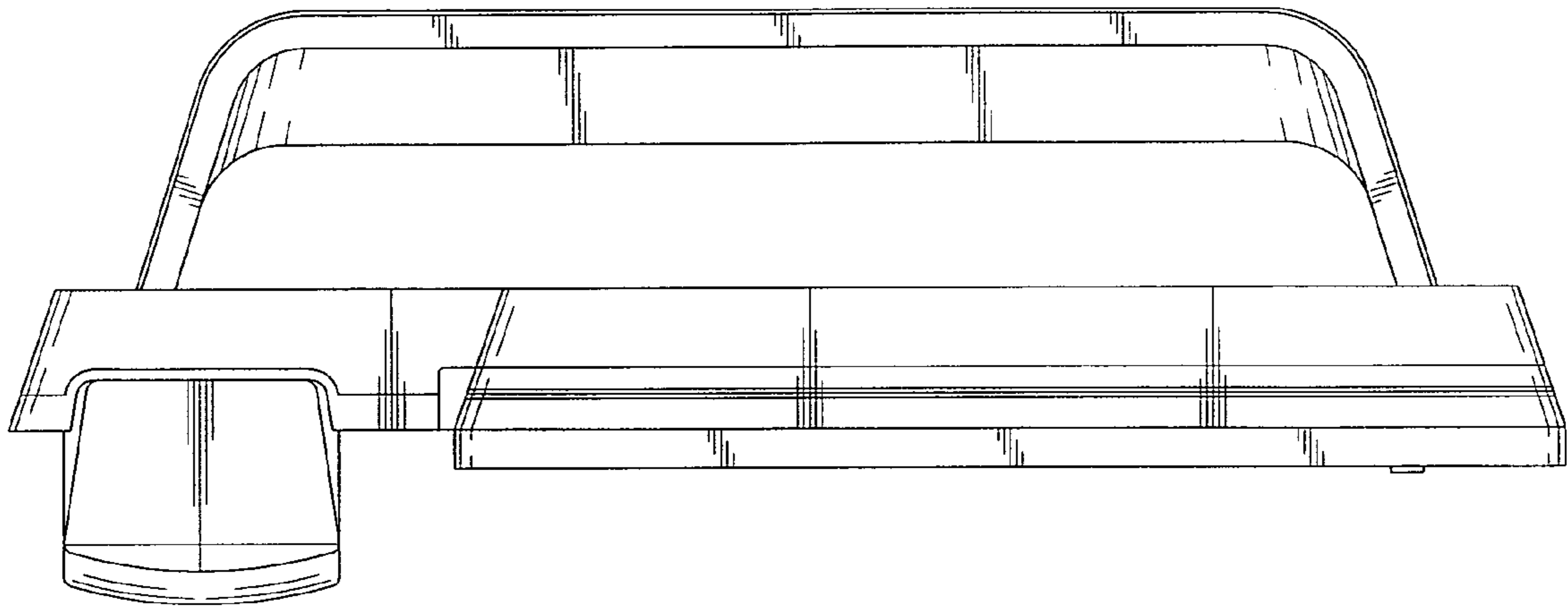


FIG.6

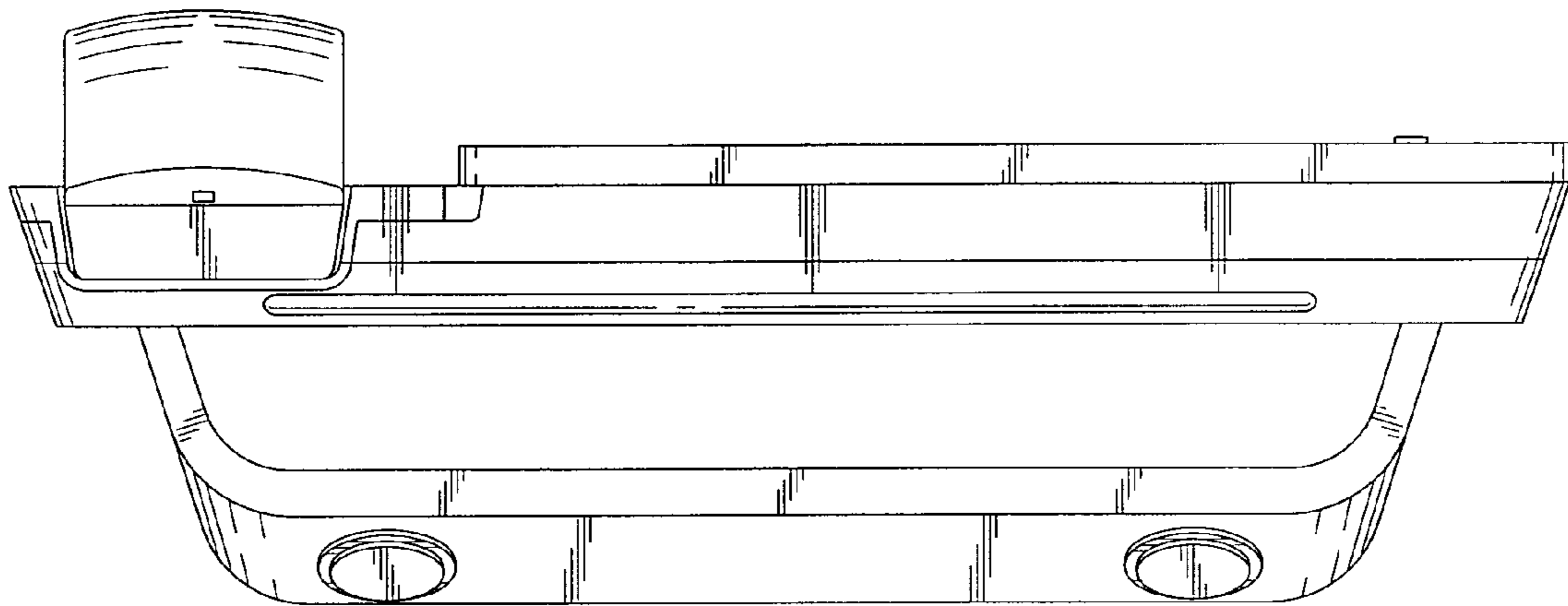


FIG.7