



US00D594438S

(12) **United States Design Patent**
Wada

(10) **Patent No.:** **US D594,438 S**
(45) **Date of Patent:** **** Jun. 16, 2009**

(54) **SPEAKERPHONE**

(75) Inventor: **Isao Wada**, Hamamatsu (JP)

(73) Assignee: **Yamaha Corporation**, Shizuoka (JP)

(**) Term: **14 Years**

(21) Appl. No.: **29/304,934**

(22) Filed: **Mar. 11, 2008**

(30) **Foreign Application Priority Data**

Oct. 5, 2007 (JP) 2007-027262

(51) **LOC (9) Cl.** **14-03**

(52) **U.S. Cl.** **D14/149; D14/240**

(58) **Field of Classification Search** D14/130,
D14/137, 140, 140.1, 140.8, 141.1, 141.3,
D14/142, 149–151, 158–159, 168, 171–172,
D14/188, 211, 214, 225–226, 240, 243, 251,
D14/253, 299, 336, 215, 167, 210, 212; 379/387.01,
379/388.02, 420.02, 447, 453, 434; 381/16;
D13/107–108

See application file for complete search history.

(56) **References Cited**

U.S. PATENT DOCUMENTS

- D225,865 S * 1/1973 Sjostedt D14/212
- D292,580 S * 11/1987 Wang D14/151
- D311,541 S * 10/1990 Carre D14/240
- D312,423 S * 11/1990 Orlinsky et al. D10/104
- D321,187 S * 10/1991 Yang D14/150
- 5,105,906 A * 4/1992 Wegner 181/156
- D339,996 S * 10/1993 Rattley D10/104
- D357,685 S * 4/1995 Reardon et al. D14/242

- D401,582 S * 11/1998 Gremchuck D14/210
- D473,546 S * 4/2003 Hovanky et al. D14/240
- D478,560 S * 8/2003 Misrahi et al. D14/150
- D543,180 S * 5/2007 Ra D14/138 AB
- D566,682 S * 4/2008 Marash D14/149

OTHER PUBLICATIONS

Phoenix Audio Duet-PCS VoIP USB PC Conferencing Speakerphone, <URL:http://www.ahernstore.com/duetpcs.html>, retrieved from internet Feb. 12, 2009.*

* cited by examiner

Primary Examiner—Charles A Rademaker

Assistant Examiner—Carla Jobe Wright

(74) *Attorney, Agent, or Firm*—Sughrue Mion, PLLC

(57) **CLAIM**

The ornamental design for a speakerphone, as shown and described.

DESCRIPTION

FIG. 1 is a perspective view of the top, front and right side of a speakerphone showing my new design;

FIG. 2 is a perspective view of the bottom, rear and right side thereof;

FIG. 3 is a top plan view thereof;

FIG. 4 is a front elevational view thereof;

FIG. 5 is a rear elevational view thereof;

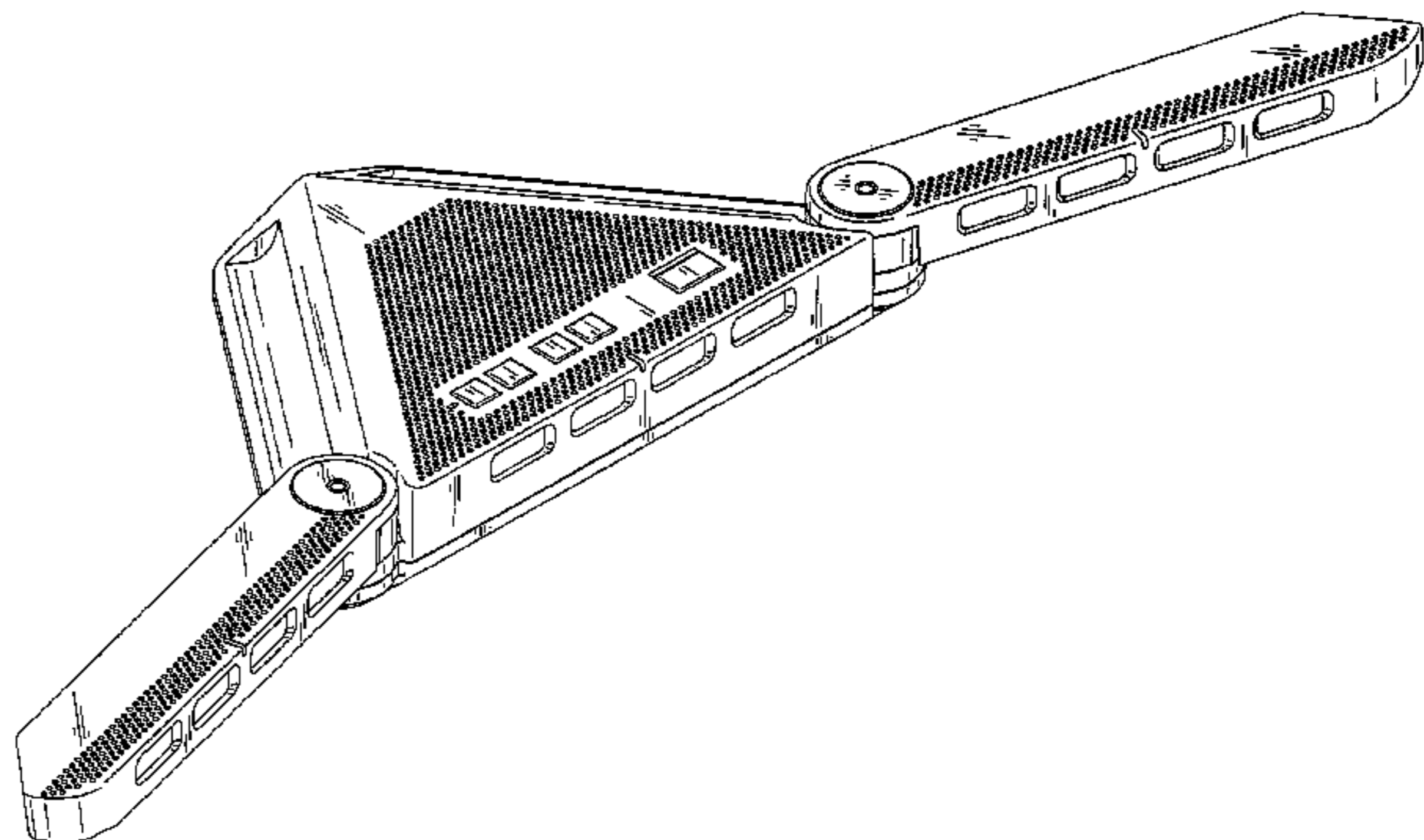
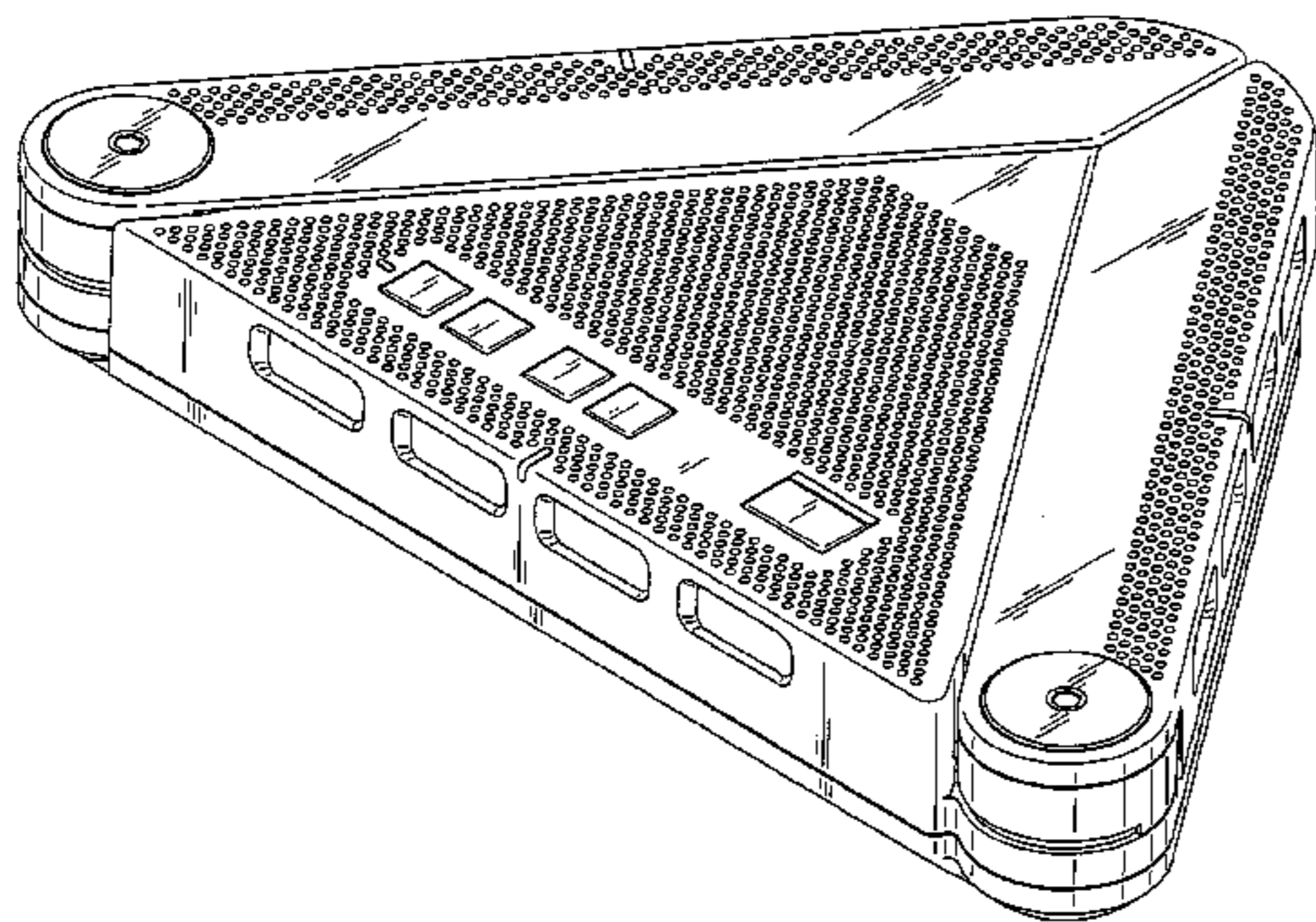
FIG. 6 is a left side elevational view thereof;

FIG. 7 is a right side elevational view thereof;

FIG. 8 is a bottom plan view thereof; and,

FIG. 9 is a perspective view thereof while in use.

1 Claim, 7 Drawing Sheets



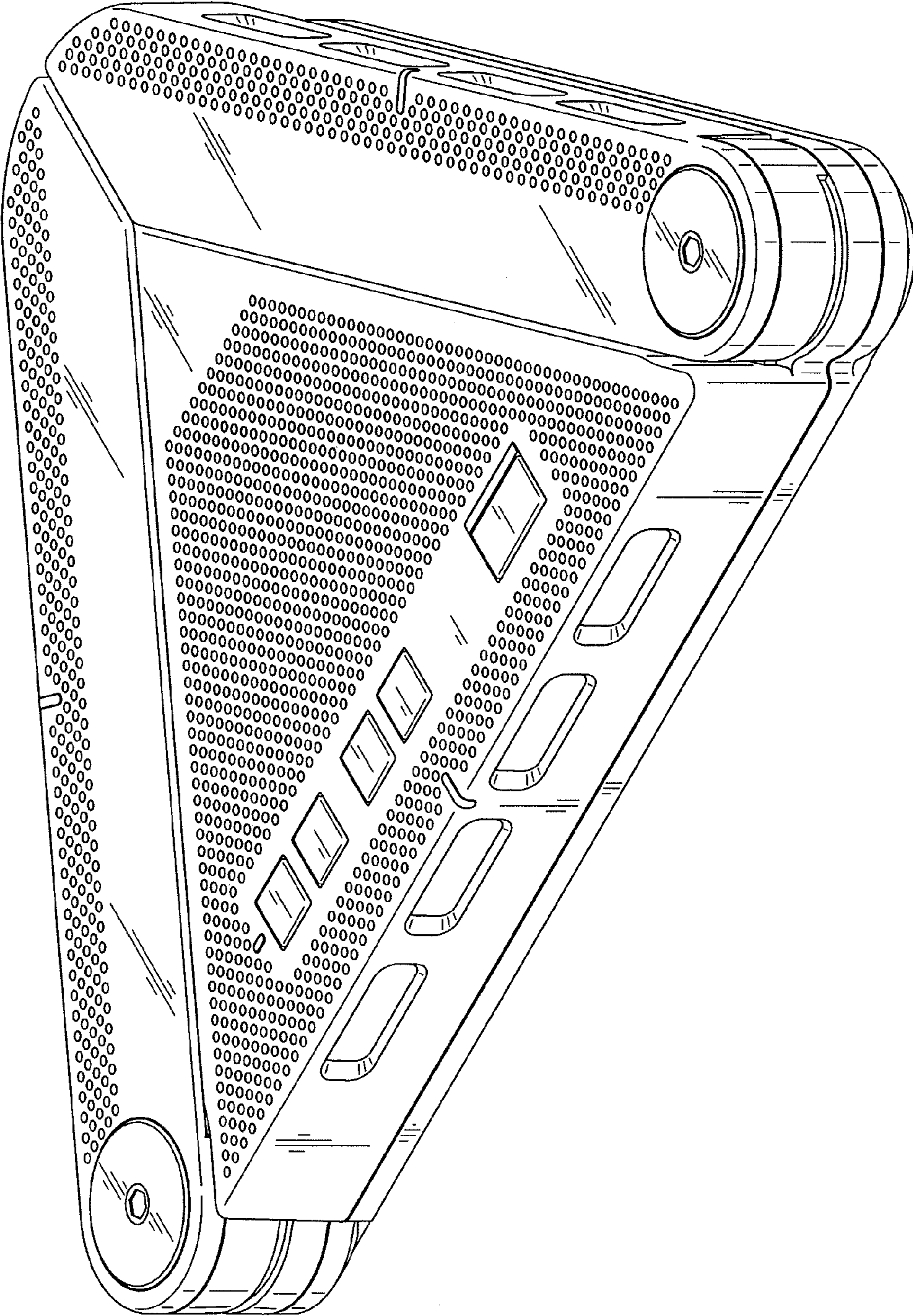


FIG. 1

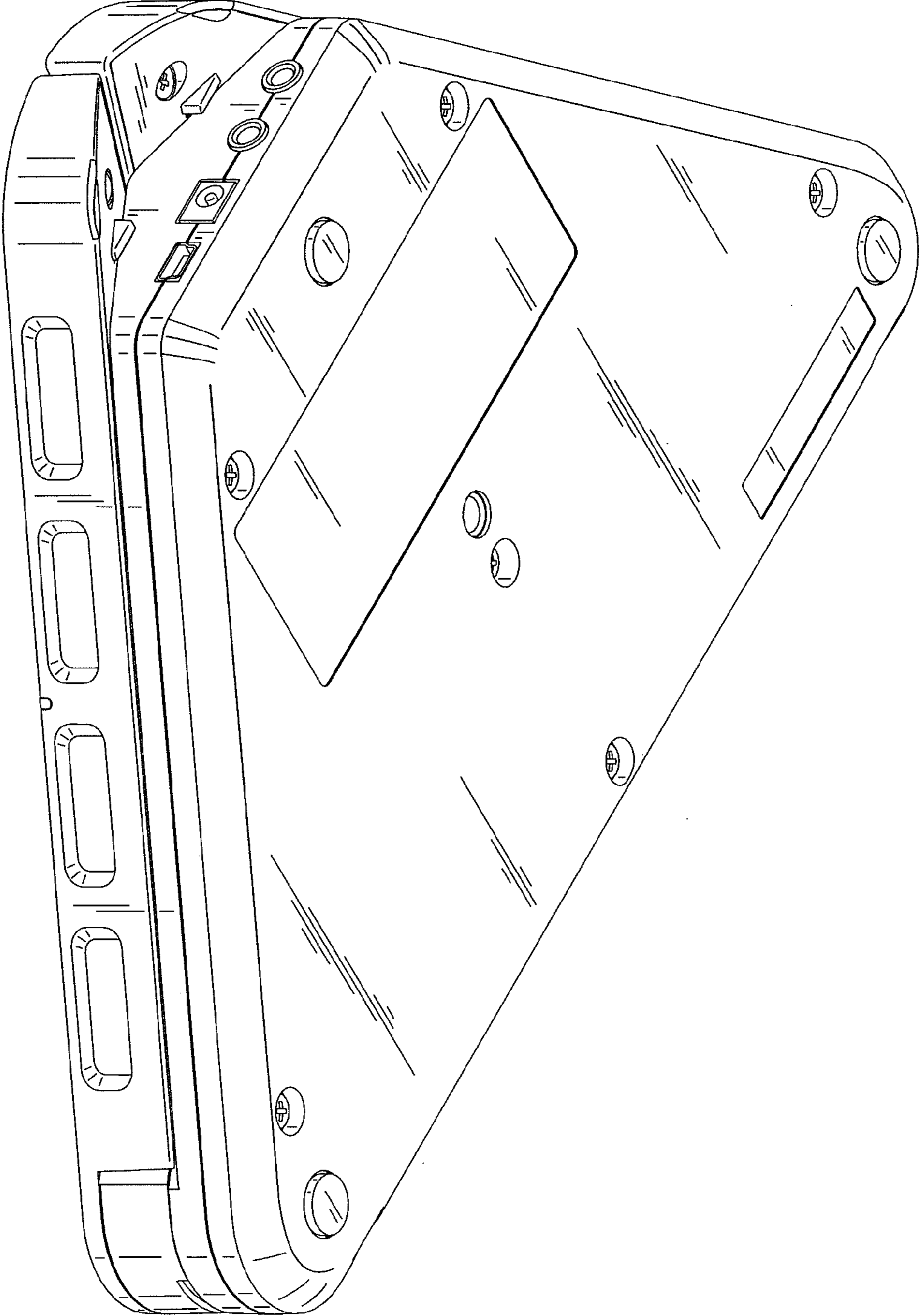


FIG. 2

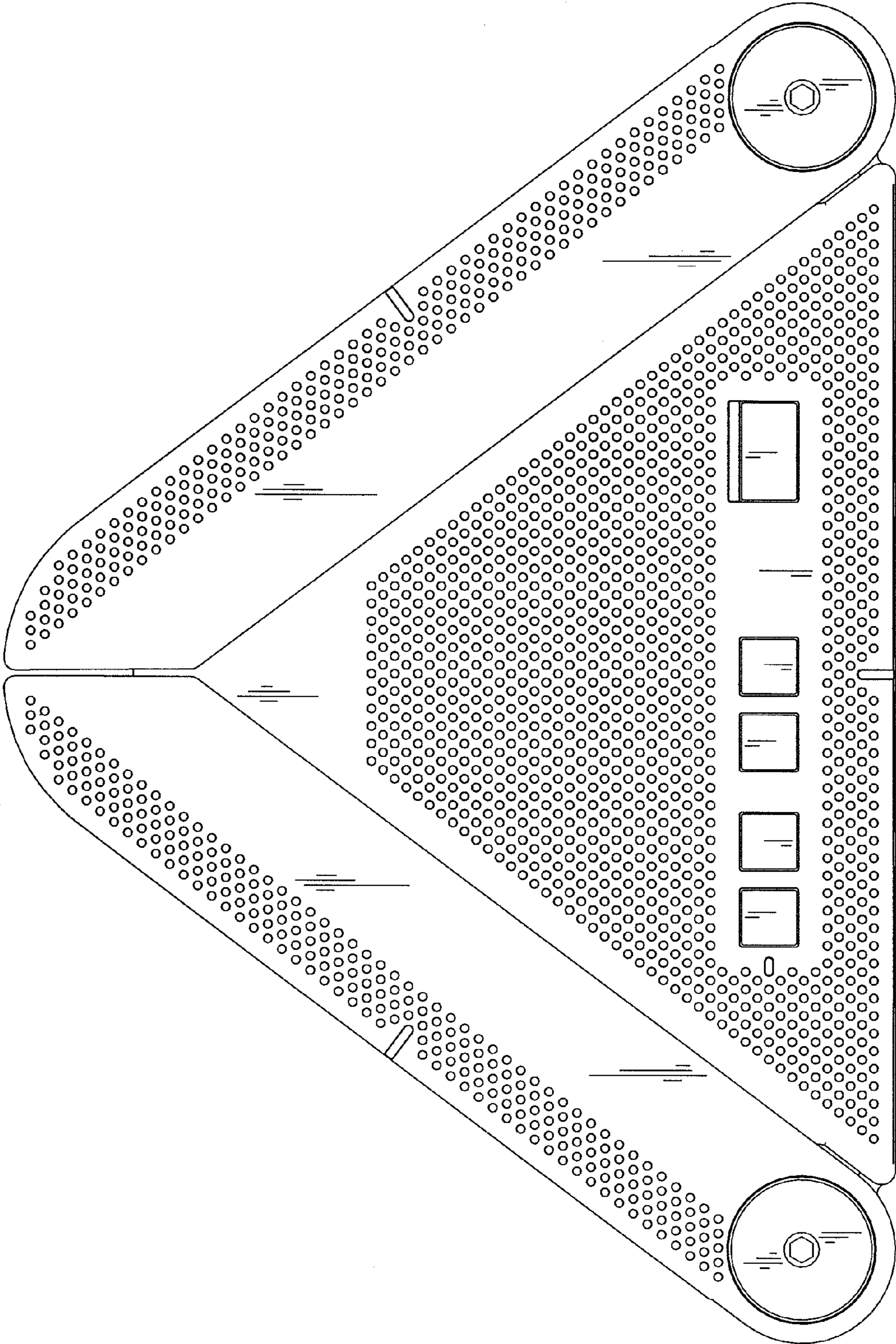


FIG. 3

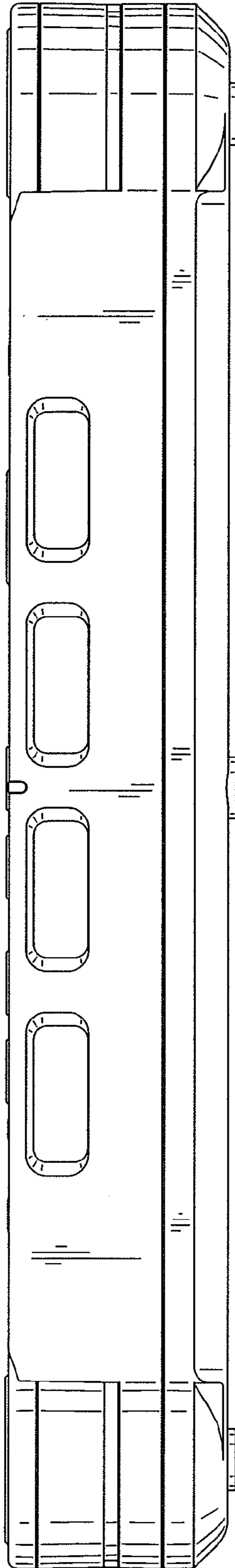


FIG. 4

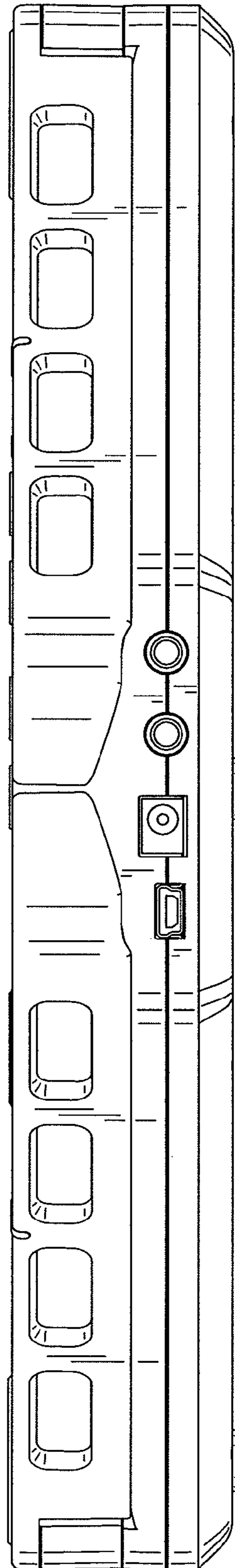


FIG. 5

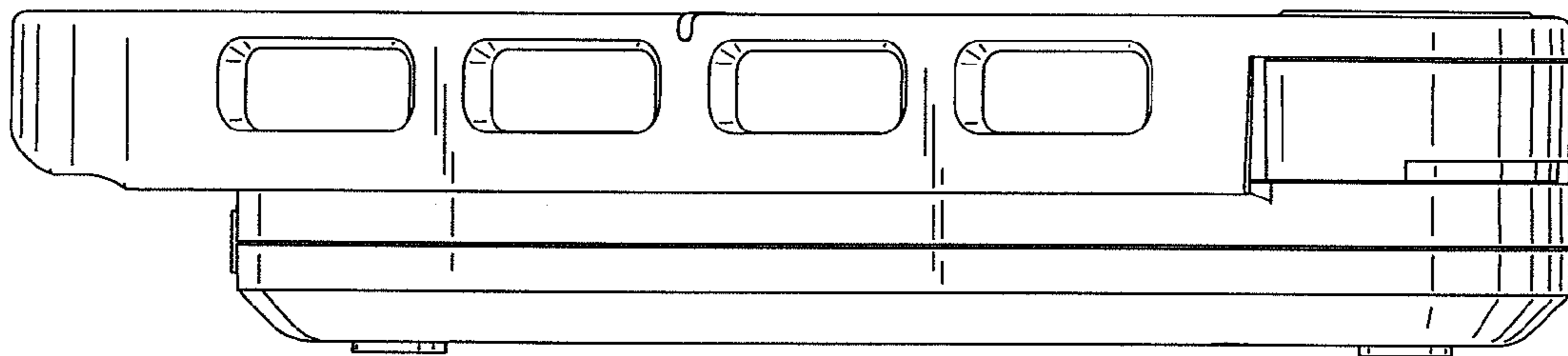


FIG. 6

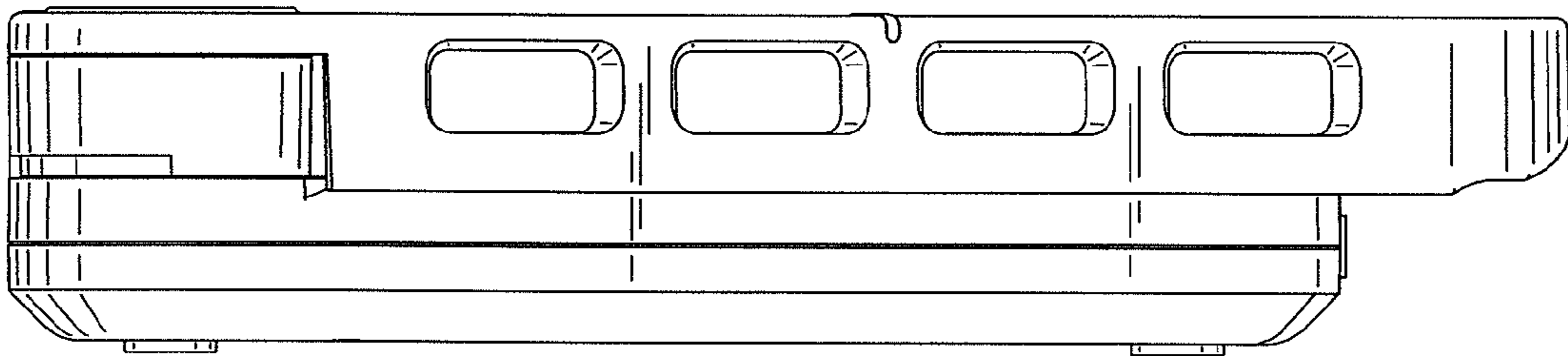


FIG. 7

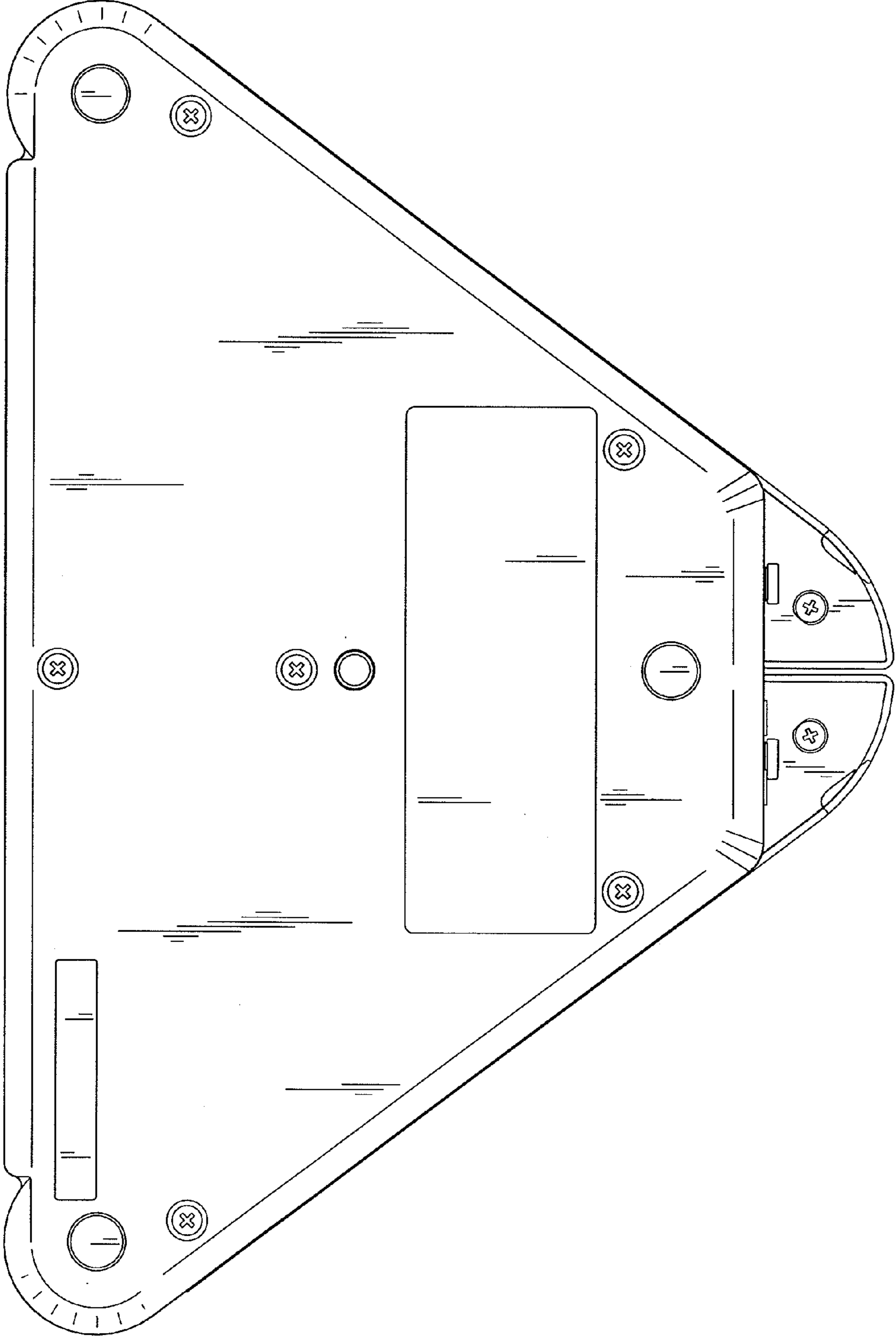


FIG. 8

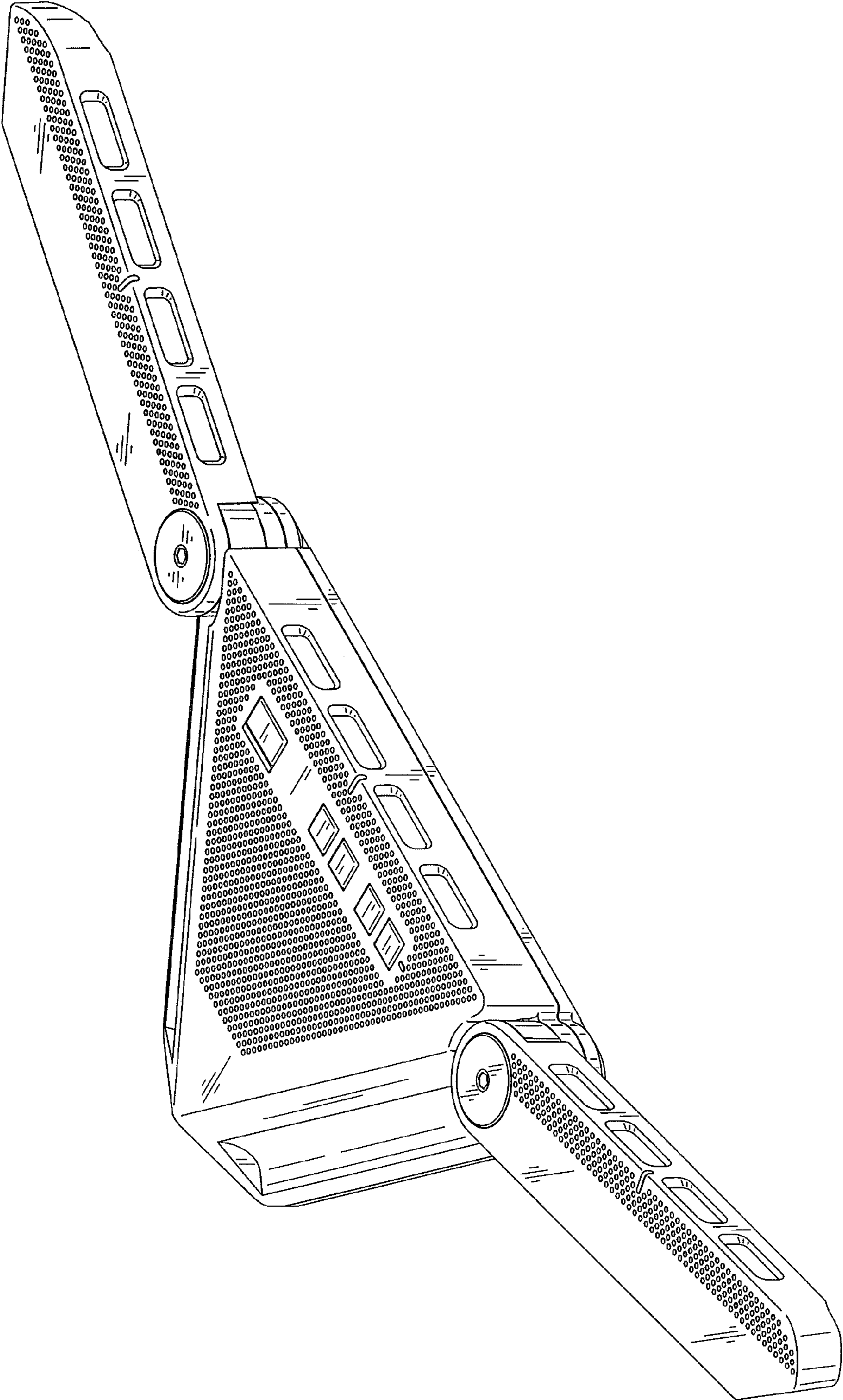


FIG. 9