



US00D594434S

(12) **United States Design Patent**
Chambers

(10) **Patent No.:** **US D594,434 S**
(45) **Date of Patent:** **** Jun. 16, 2009**

(54) **PORTABLE PHONE**

(75) Inventor: **Susanne Chambers**, Rancho Dominguez, CA (US)

(73) Assignee: **Samsung Electronics Co., Ltd.**, Suwon-Si (KR)

(**) Term: **14 Years**

(21) Appl. No.: **29/300,453**

(22) Filed: **Mar. 28, 2008**

(51) **LOC (9) Cl.** **14-03**

(52) **U.S. Cl.** **D14/138 AB**

(58) **Field of Classification Search** D14/138 AB,
D14/138 R, 496, 203.1–203.7, 341–347;
455/575.3

See application file for complete search history.

(56) **References Cited**

U.S. PATENT DOCUMENTS

D507,252 S *	7/2005	Kim et al.	D14/138 AB
D518,812 S *	4/2006	Kim et al.	D14/138 AB
D522,989 S *	6/2006	Viitasaari	D14/138 AB
D538,772 S *	3/2007	Cha et al.	D14/138 AB
D540,767 S *	4/2007	Kim et al.	D14/138 AB
D543,169 S *	5/2007	Kim et al.	D14/138 AB
7,212,846 B1 *	5/2007	Chan	455/575.3
D549,680 S *	8/2007	Lee et al.	D14/138 AB
D555,614 S *	11/2007	Holmung et al.	D14/138 AB
D558,171 S *	12/2007	Jung et al.	D14/138 AB
D559,215 S *	1/2008	Eguchi	D14/138 AB
D559,812 S *	1/2008	Bradford et al.	D14/138 AB
D561,722 S *	2/2008	Kim et al.	D14/138 AB
D563,344 S *	3/2008	Kim et al.	D14/138 AB
D564,485 S *	3/2008	Kim et al.	D14/138 AB
D567,793 S *	4/2008	Eguchi	D14/138 AB
D568,283 S *	5/2008	Kim et al.	D14/138 AB
D573,123 S *	7/2008	Kim et al.	D14/138 AB
D576,131 S *	9/2008	Park	D14/138 AB
D578,984 S *	10/2008	Oh et al.	D14/138 R

D581,889 S *	12/2008	Kim et al.	D14/138 AB
D585,861 S *	2/2009	Kim et al.	D14/138 AB
2005/0282596 A1 *	12/2005	Park et al.	455/575.3
2006/0111146 A1 *	5/2006	Kim	455/557
2008/0039158 A1 *	2/2008	Park et al.	455/575.3

OTHER PUBLICATIONS

Nokia N92 telephone, announced 4th quarter 2005, [online], [site visited Mar. 17, 2009]. Available from Internet ,<URL: <http://www.gsmarena.com>>.*

Samsung E420 telephone, announced Oct. 2006, [online], [site visited Mar. 17, 2009]. Available from Internet ,<URL: <http://www.gsmarena.com>>.*

Pantech PG-3200 telephone, announced 2nd quarter 2005, [online], [site visited Mar. 17, 2009]. Available from Internet ,<URL: <http://www.gsmarena.com>>.*

* cited by examiner

Primary Examiner—Jeffrey D Asch

(74) *Attorney, Agent, or Firm*—Staas & Halsey LLP

(57) **CLAIM**

The ornamental design for a portable phone, as shown and described.

DESCRIPTION

FIG. 1 is a perspective view of a portable phone;
FIG. 2 is a front view of the portable phone of FIG. 1;
FIG. 3 is a rear view of the portable phone of FIG. 1;
FIG. 4 is a left-side view of the portable phone of FIG. 1;
FIG. 5 is a right-side view of the portable phone of FIG. 1;
FIG. 6 is a top plan view of the portable phone of FIG. 1;
FIG. 7 is a bottom plan view of the portable phone of FIG. 1;
FIG. 8 is a front open view of the portable phone of FIG. 1;
and,
FIG. 9 is a right-side open and rotated view of the portable phone of FIG. 1.

1 Claim, 6 Drawing Sheets

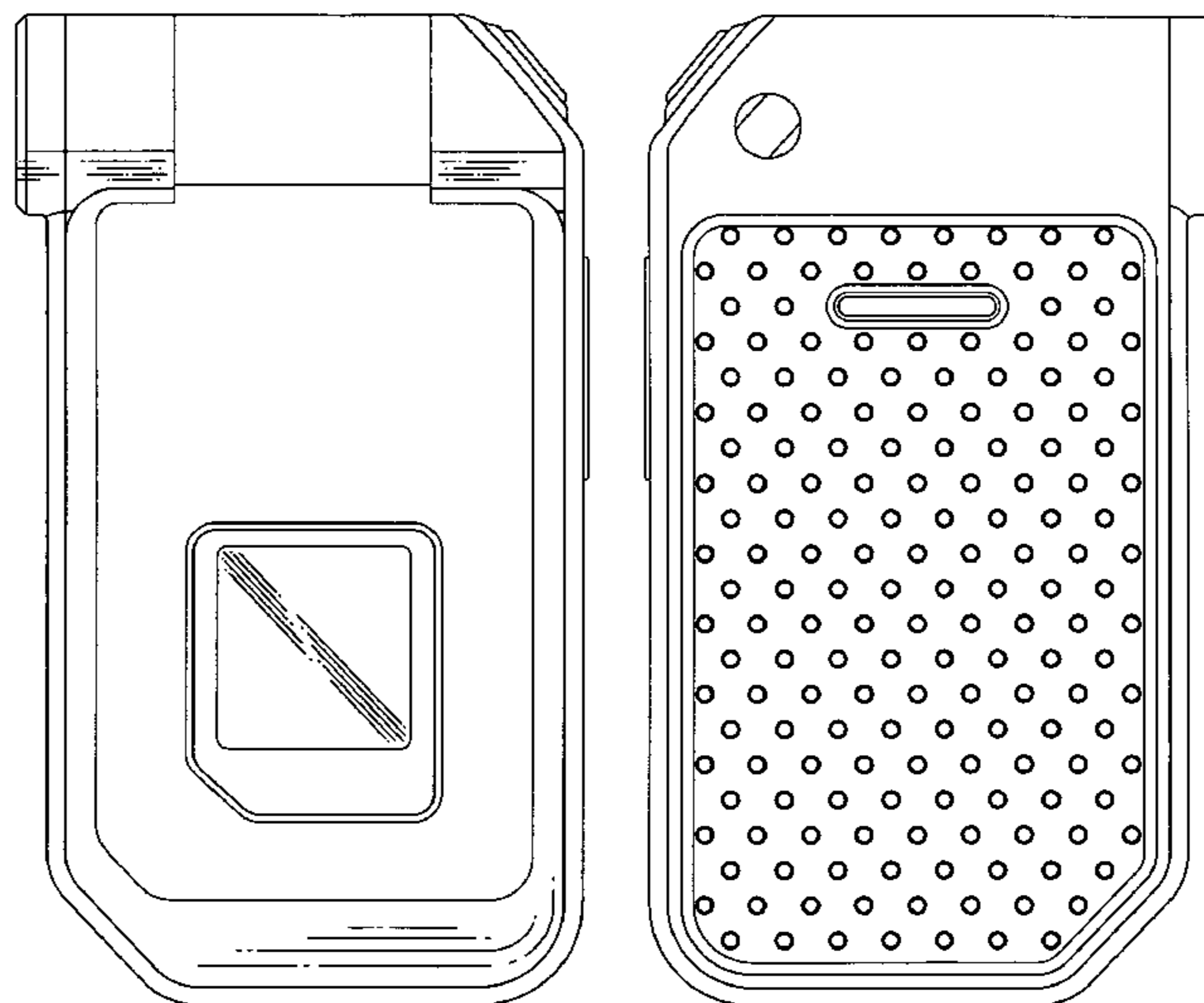


FIG. 1

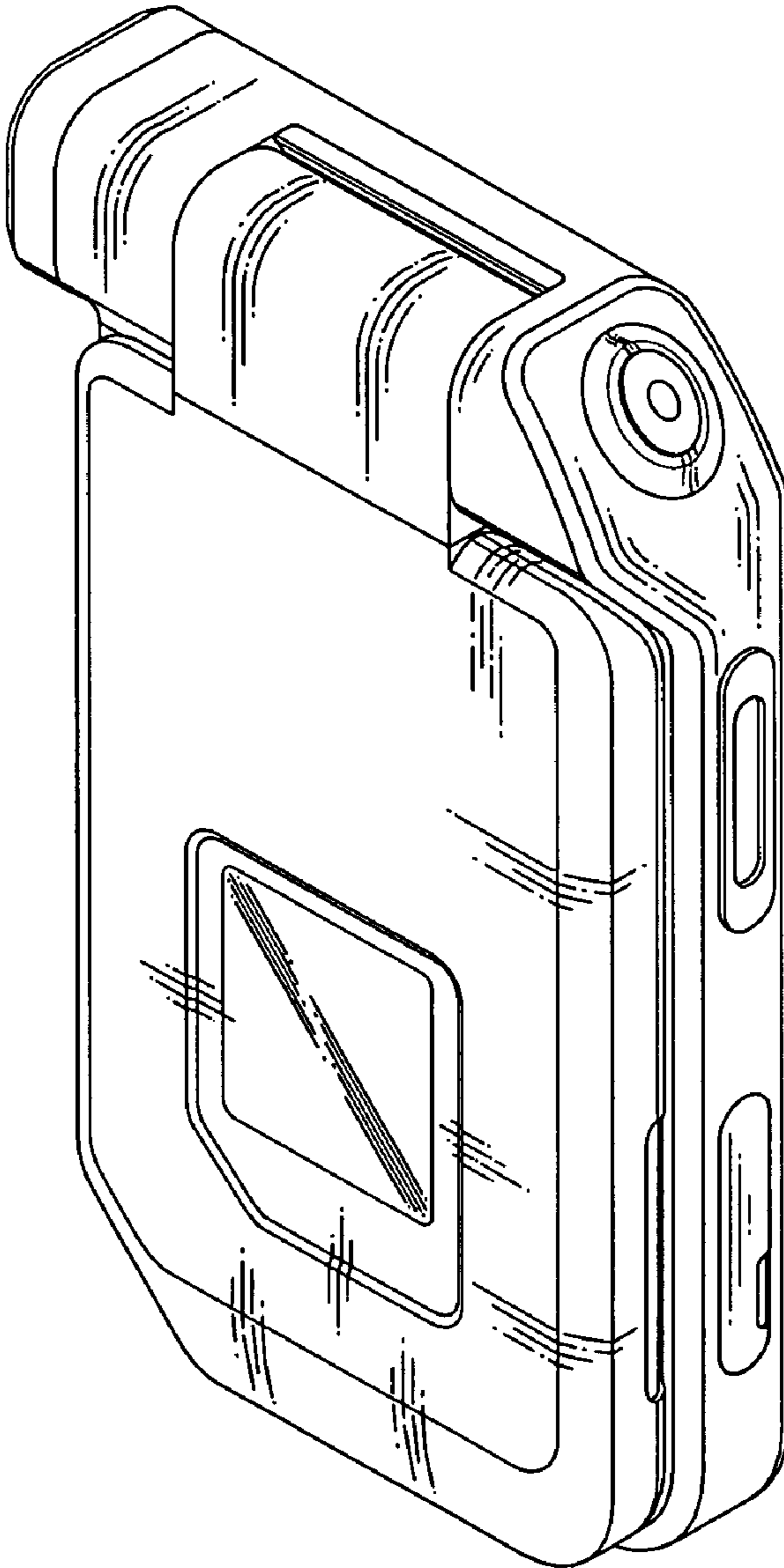


FIG. 2

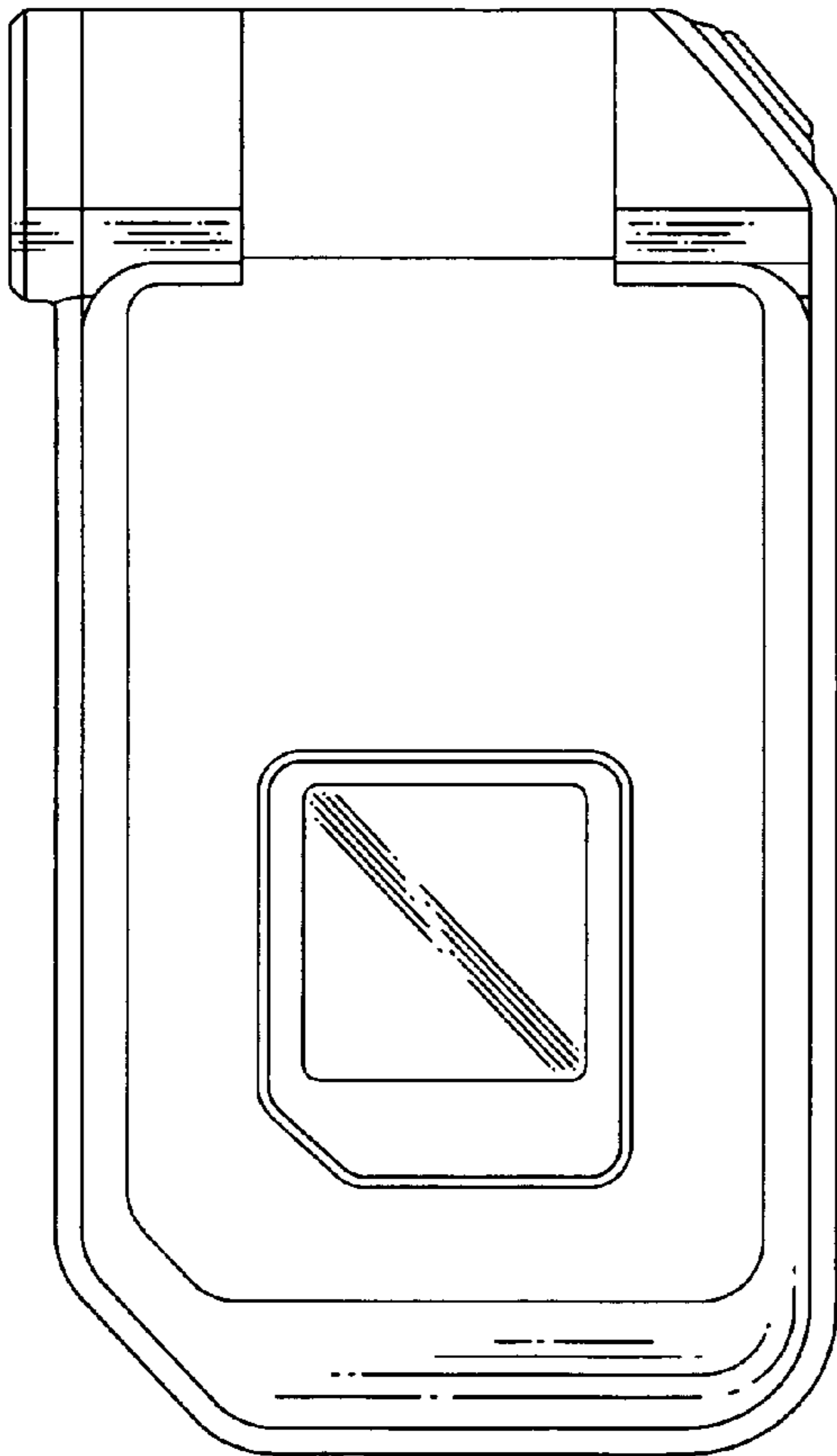


FIG. 3

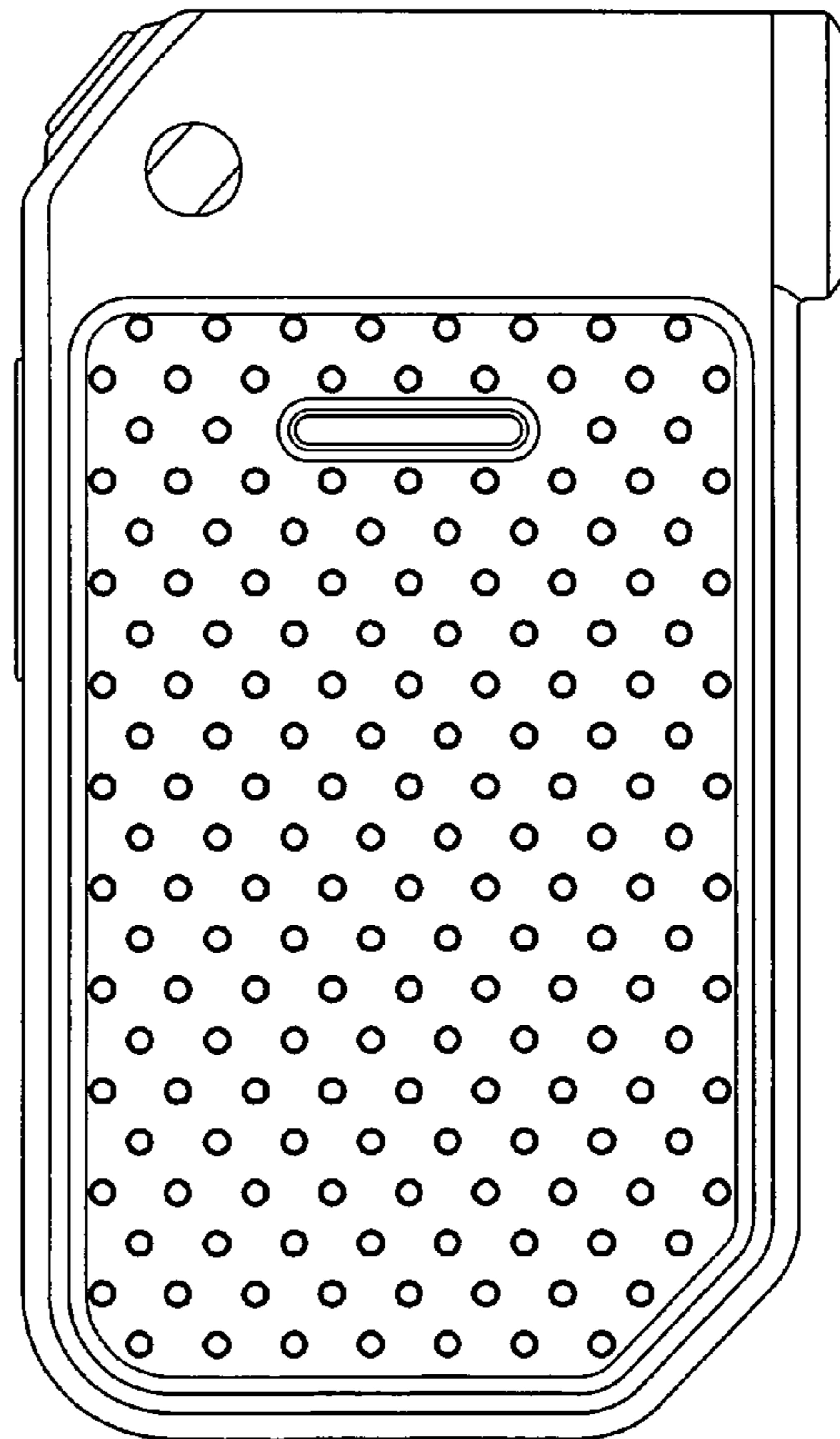


FIG. 4

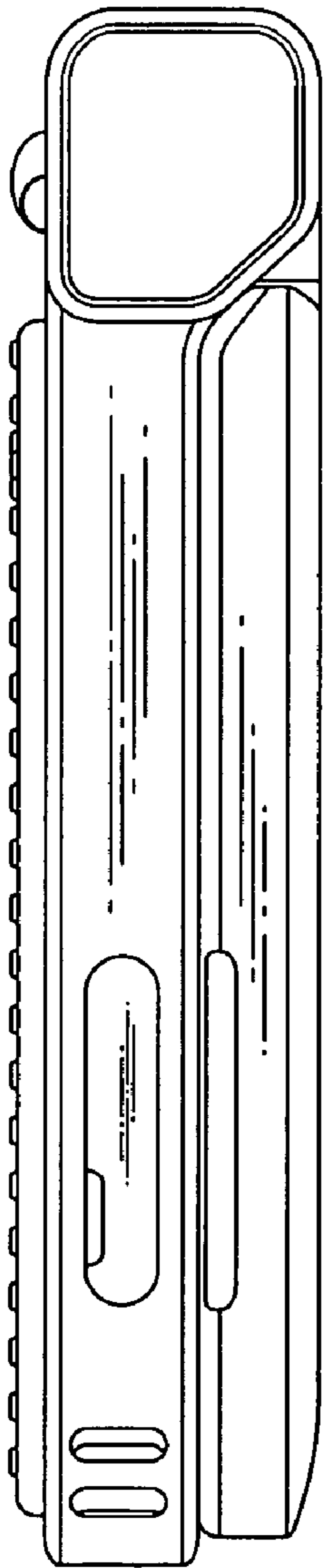


FIG. 5

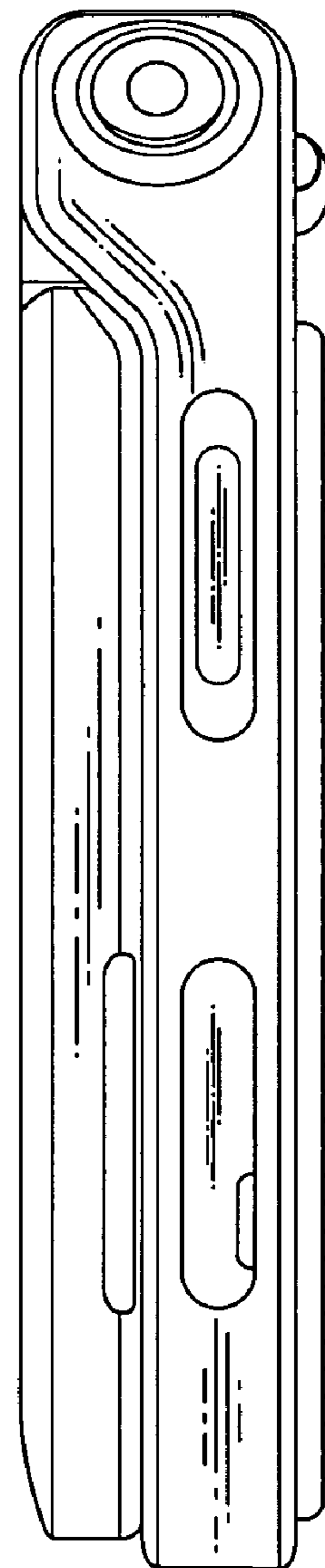


FIG. 6

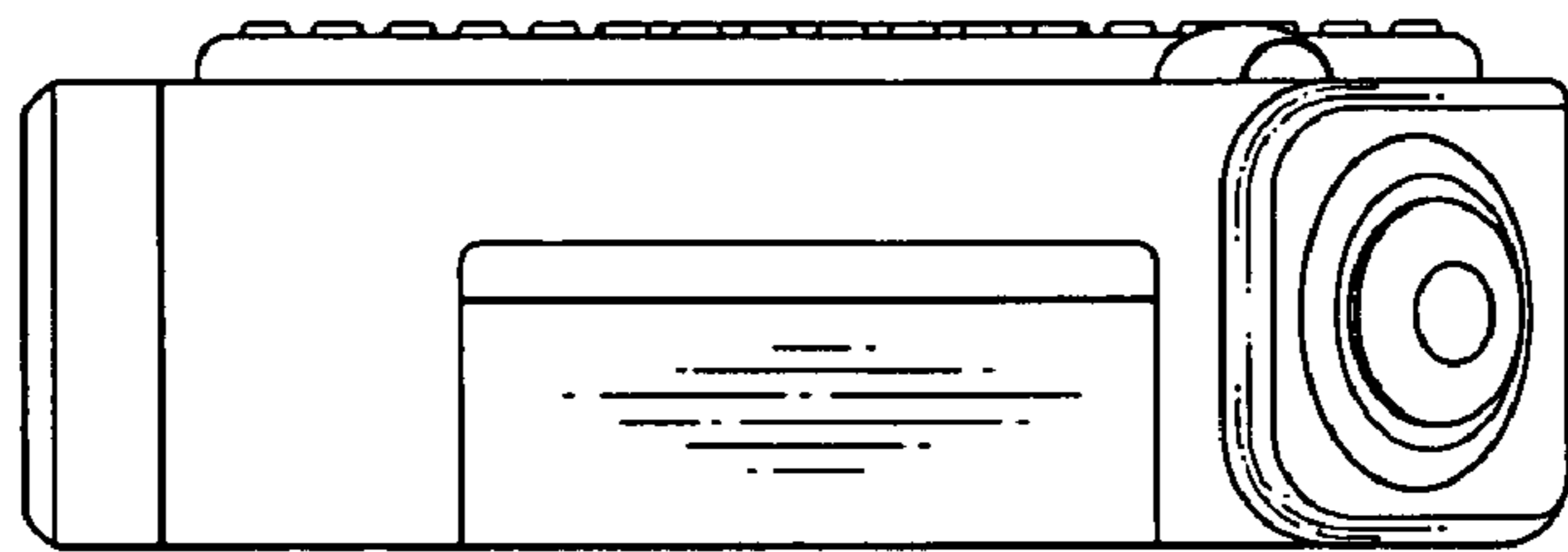


FIG. 7

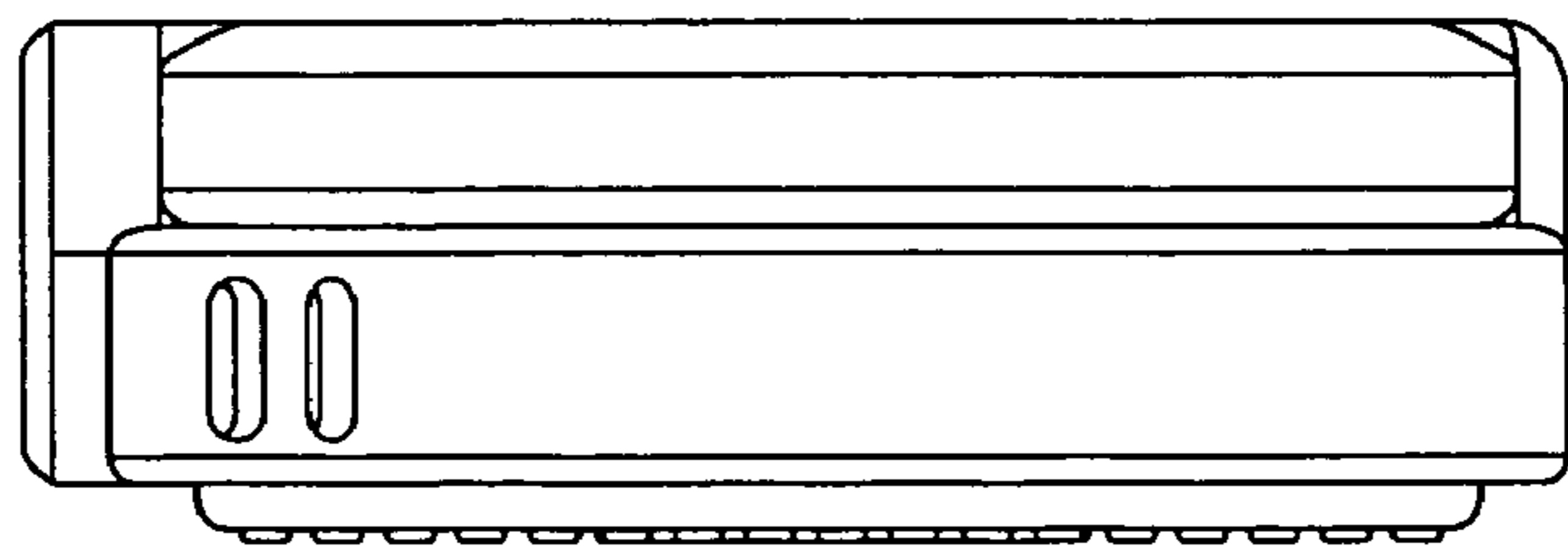


FIG. 8

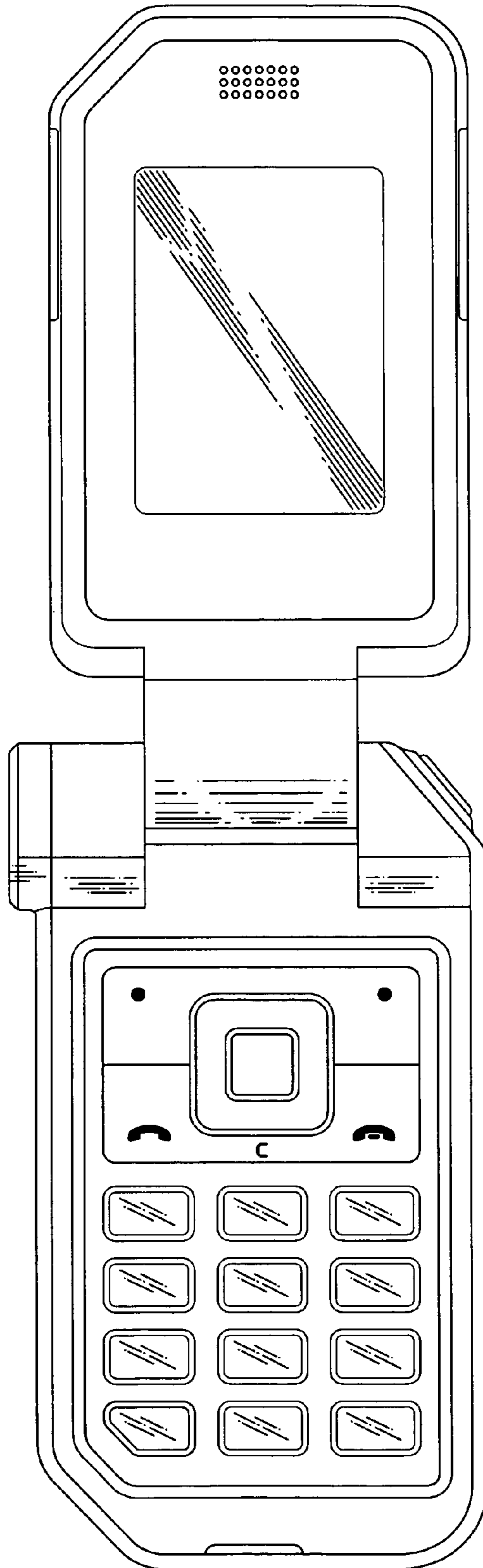


FIG. 9

