



US00D594427S

(12) **United States Design Patent**
Yuuki et al.

(10) **Patent No.:** **US D594,427 S**
(45) **Date of Patent:** **** Jun. 16, 2009**

(54) **DISPLAY**

(75) Inventors: **Toshinori Yuuki**, Tokyo (JP); **Chin-Jen Lin**, Taipei (TW)

(73) Assignee: **NEC Display Solutions, Ltd.**, Tokyo (JP)

(**) Term: **14 Years**

(21) Appl. No.: **29/319,112**

(22) Filed: **Jun. 4, 2008**

(30) **Foreign Application Priority Data**

Dec. 7, 2007 (JP) 2007-033615

(51) **LOC (9) Cl.** **14-03**

(52) **U.S. Cl.** **D14/126**

(58) **Field of Classification Search** D14/125-134,
D14/239, 371, 136, 374-377, 440, 450, 448,
D14/336, 342; 312/7.2; 348/836, 838, 180,
348/184, 325, 739; 341/12; 248/917-924,
248/465; 345/104, 133, 156, 168, 87, 173;
720/605, 669, 600, 655; 369/99, 197; 455/344,
455/347; D21/329, 515, 577, 622, 333, 433,
D21/448, 452, 450, 331; D6/477, 479; 273/148 B;
446/484, 175, 356; D10/15, 26
See application file for complete search history.

(56) **References Cited**

U.S. PATENT DOCUMENTS

D376,358 S * 12/1996 Starck D14/126
D408,382 S * 4/1999 Chuo et al. D14/374
D411,990 S * 7/1999 Usui D14/380
D430,874 S * 9/2000 Hsu D14/374
D484,471 S * 12/2003 Lin et al. D14/126
D521,956 S * 5/2006 Backs D14/126

D525,216 S * 7/2006 Gibby D14/126
D526,974 S * 8/2006 Reza et al. D14/126
D527,355 S * 8/2006 Voege D14/126
D538,761 S * 3/2007 Peng D14/126
D539,245 S * 3/2007 Bischoff D14/126
D541,770 S * 5/2007 Lee D14/126
D543,167 S * 5/2007 Hung D14/129
D547,283 S * 7/2007 Hsiung D14/129
D555,612 S * 11/2007 Sukenari et al. D14/126
D557,227 S * 12/2007 Isshiki D14/126
D562,784 S * 2/2008 Asanuma et al. D14/126
D564,470 S * 3/2008 Chiu D14/126
D565,527 S * 4/2008 Riggs D14/129
D574,341 S * 8/2008 Kuramashi et al. D14/126
D576,121 S * 9/2008 Isshiki D14/126

* cited by examiner

Primary Examiner—Raphael Barkai

(74) *Attorney, Agent, or Firm*—Sughrue Mion, PLLC

(57) **CLAIM**

The ornamental design for a display, as shown and described.

DESCRIPTION

FIG. 1 is a front, right side, top perspective view of a display showing our new design;

FIG. 2 is a front elevational view thereof;

FIG. 3 is a rear elevational view thereof;

FIG. 4 is a left side view thereof;

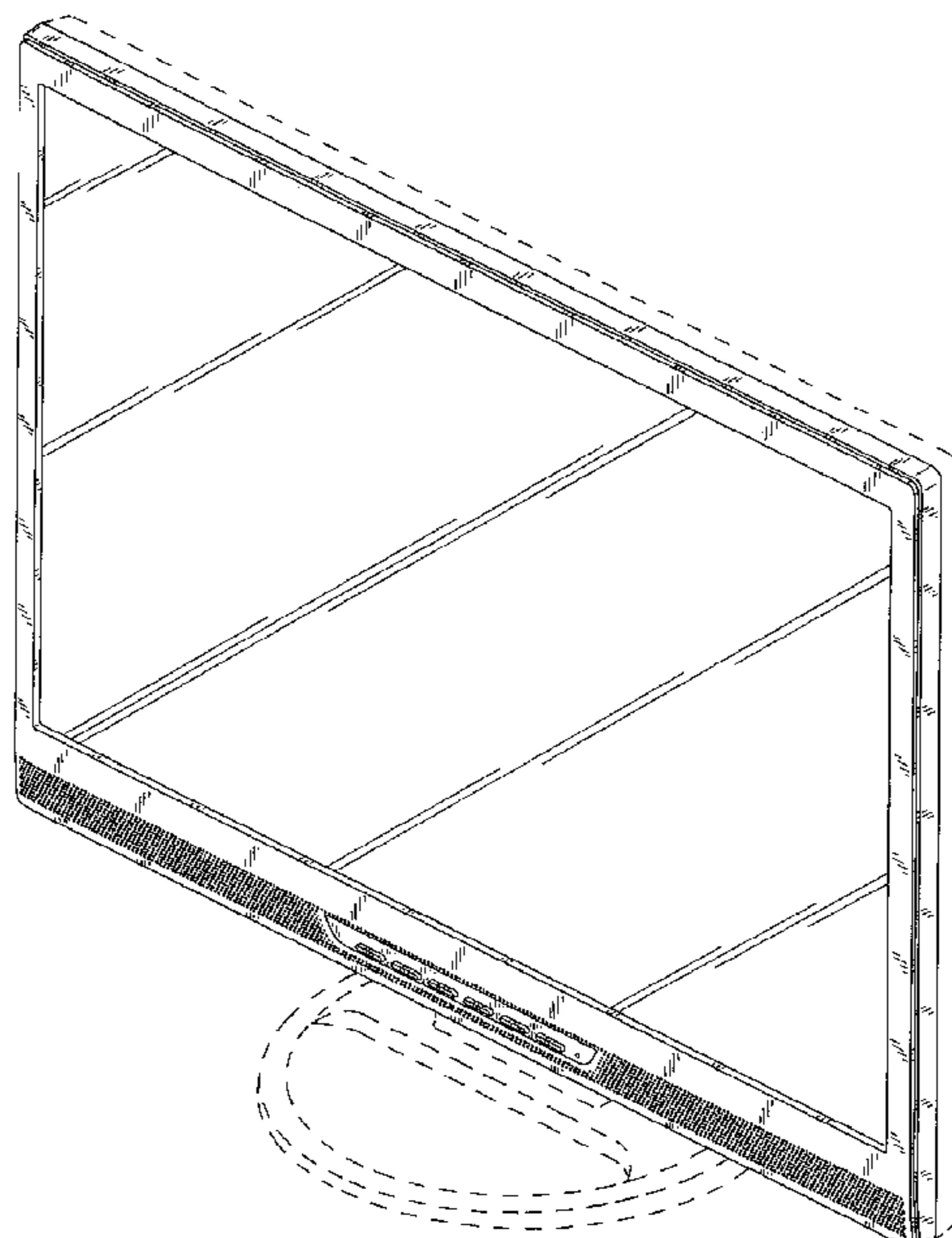
FIG. 5 is a right side view thereof;

FIG. 6 is a top plan view thereof; and,

FIG. 7 is a bottom plan view thereof.

The portions in broken lines are shown for illustrative purposes only and form no part of the claimed design.

1 Claim, 6 Drawing Sheets



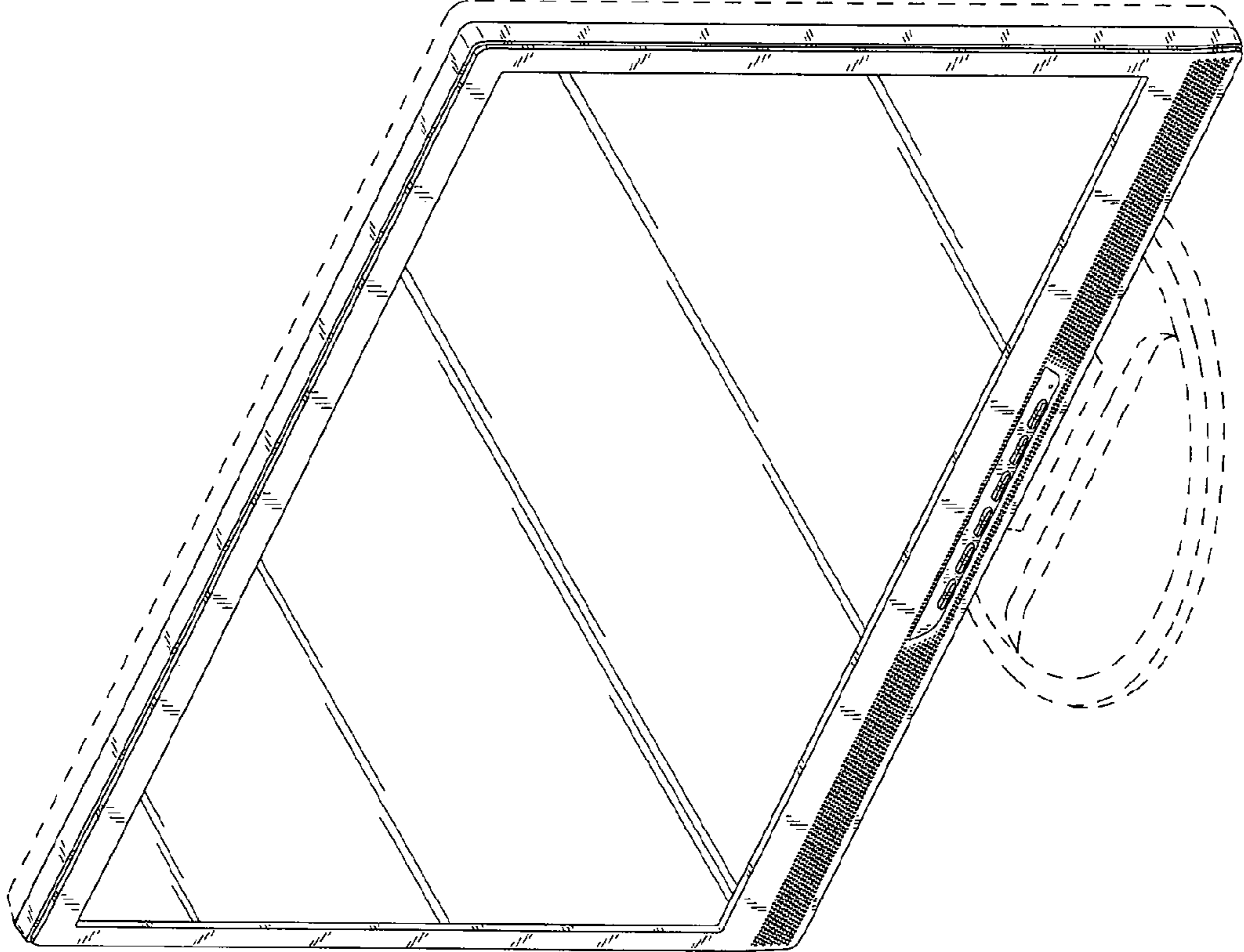


FIG. 1

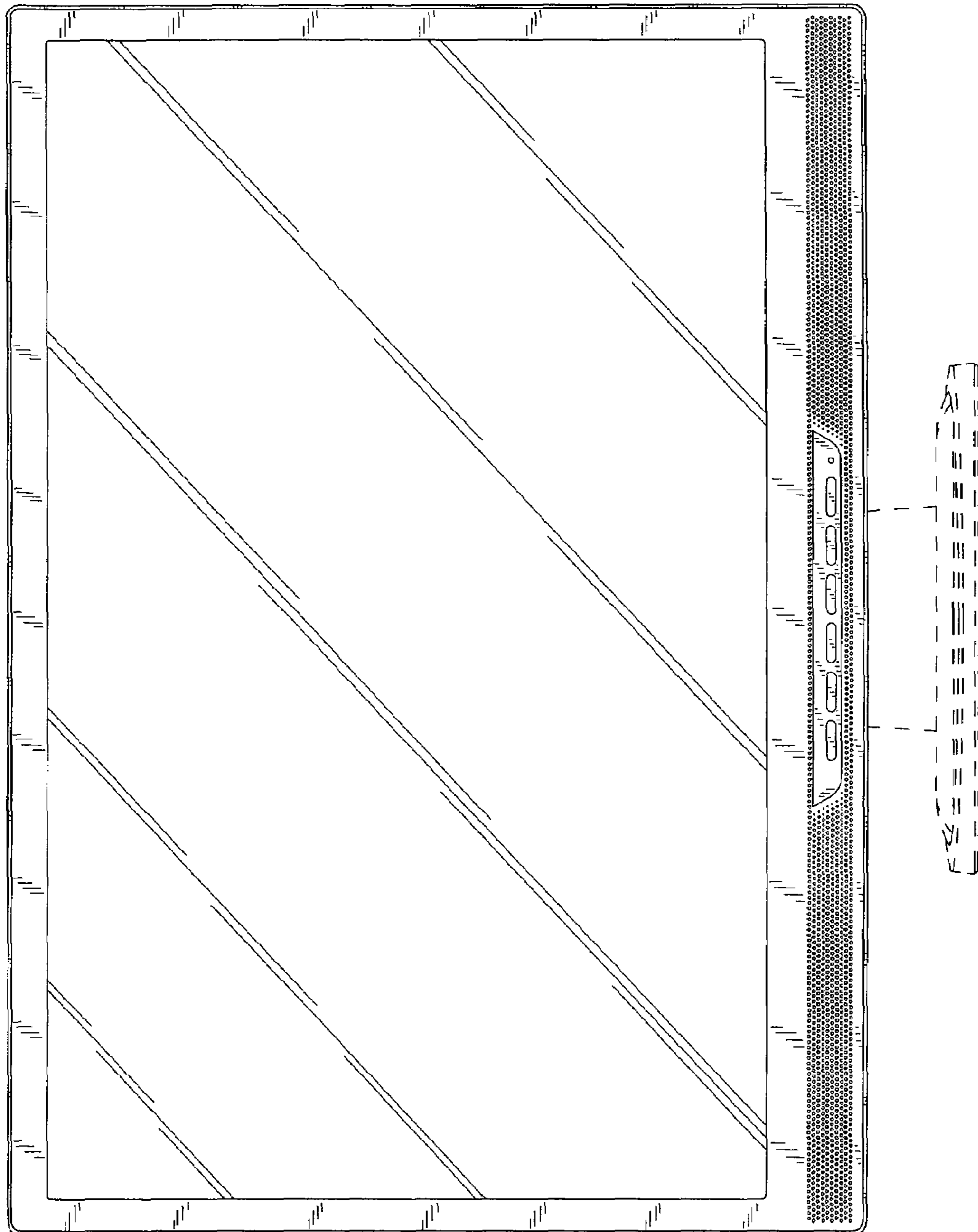


FIG. 2

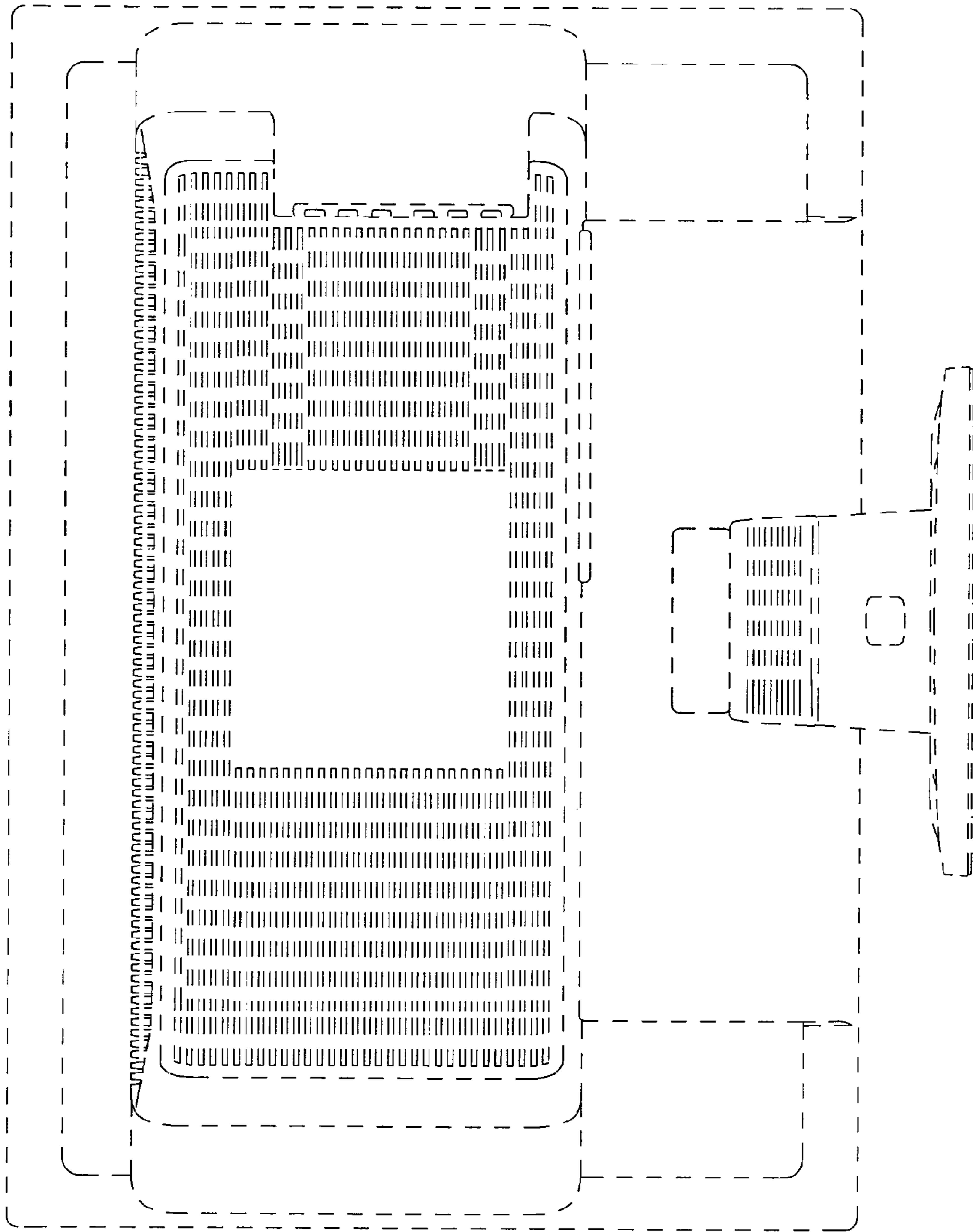


FIG. 3

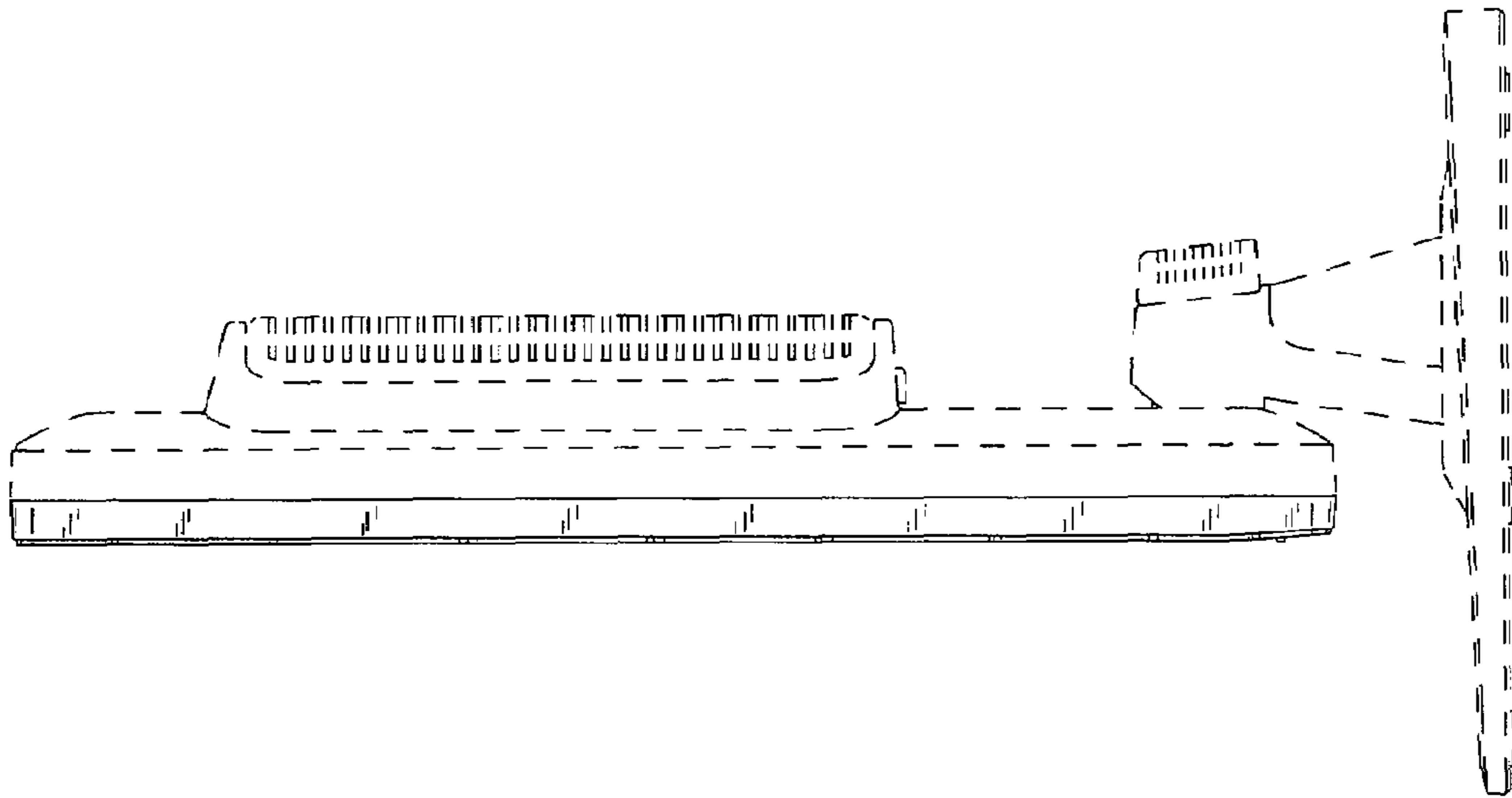


FIG. 5

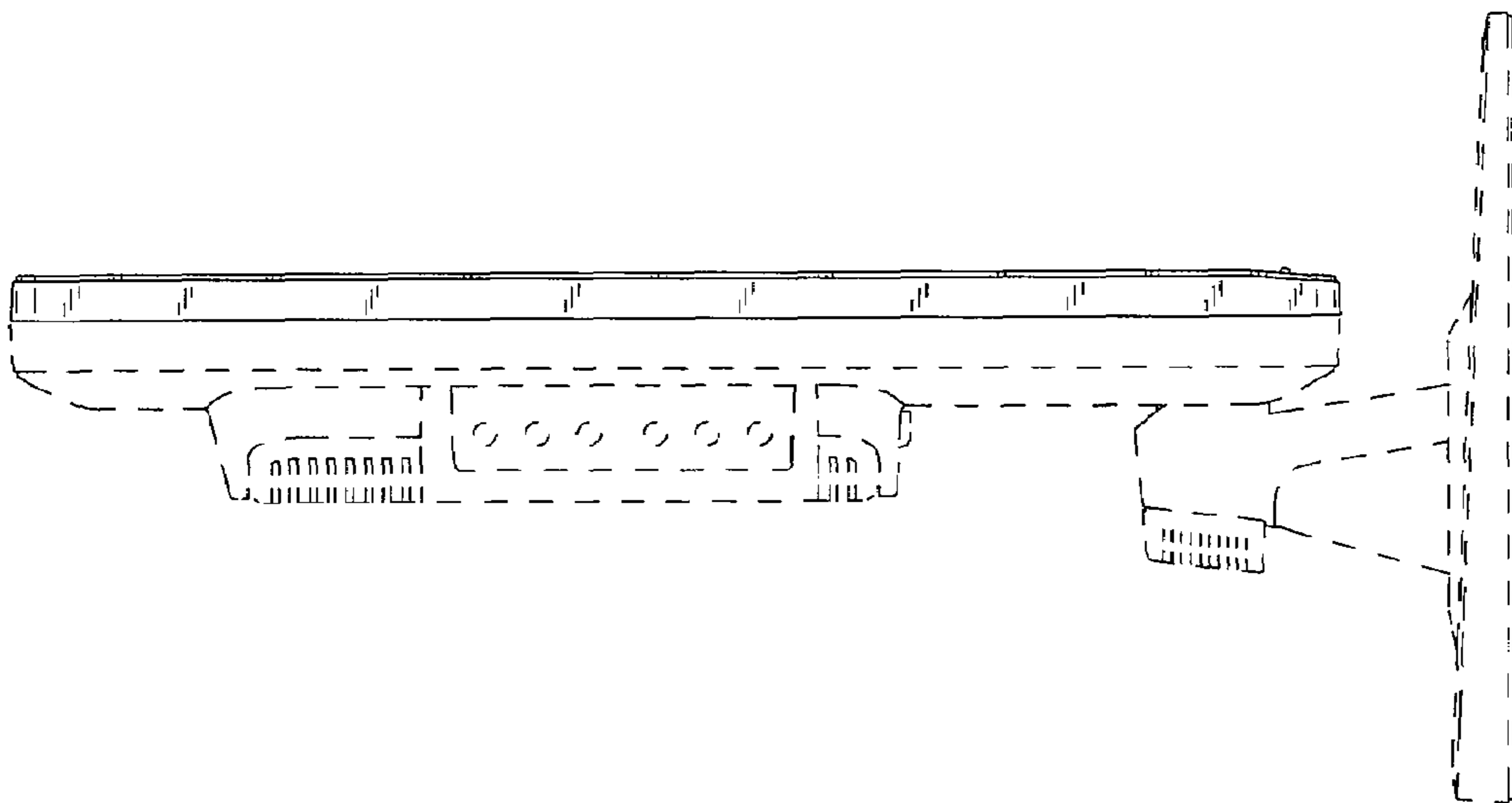


FIG. 4

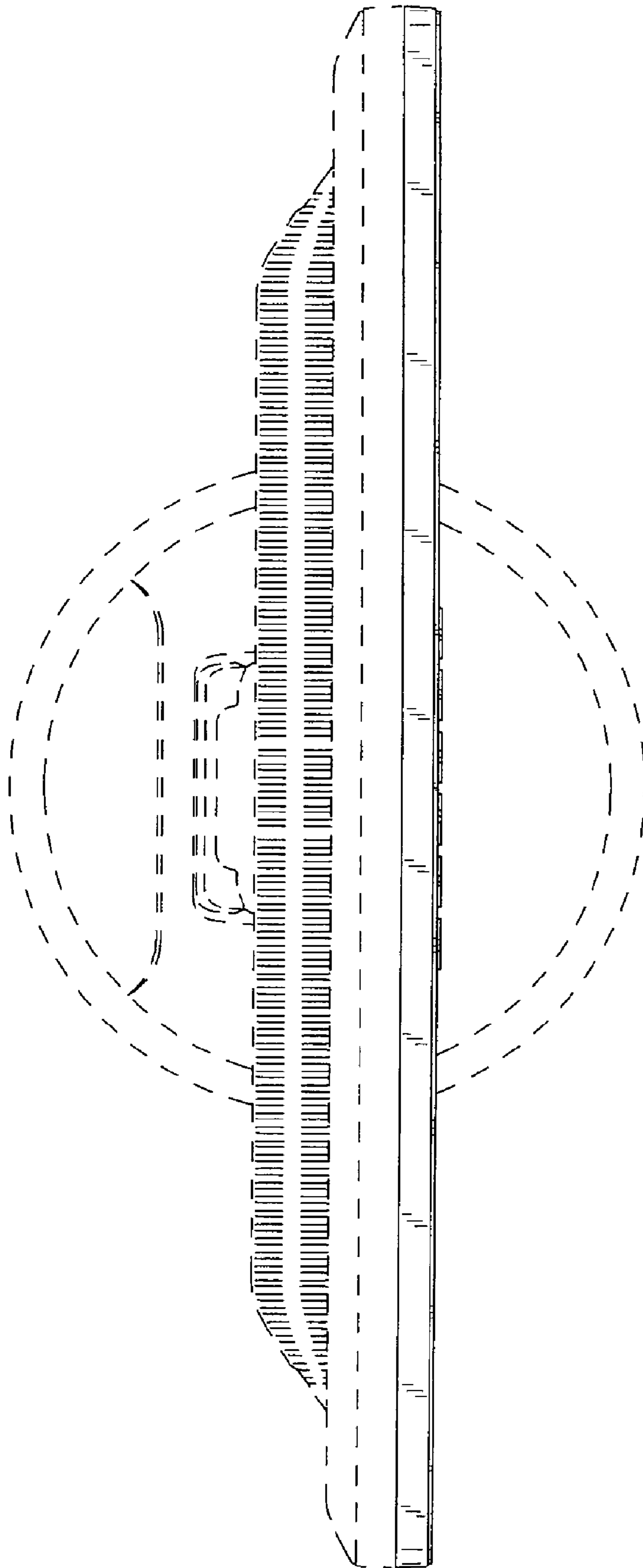


FIG. 6

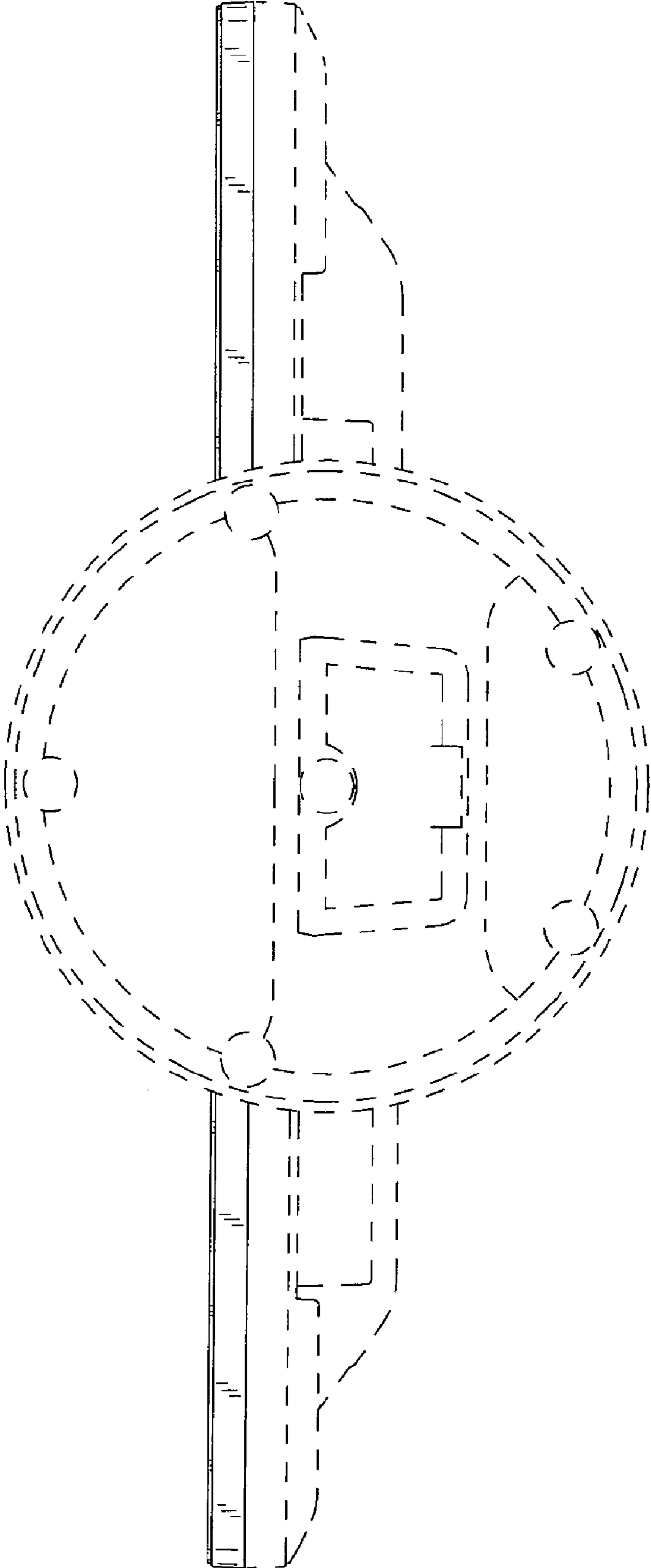


FIG. 7