

US00D594426S

(12) **United States Design Patent**  
**Yuuki et al.**

(10) **Patent No.:** **US D594,426 S**  
(45) **Date of Patent:** **\*\* Jun. 16, 2009**

(54) **DISPLAY**

(75) Inventors: **Toshinori Yuuki**, Tokyo (JP); **Chin-Jen Lin**, Taipei (TW)

(73) Assignee: **NEC Display Solutions, Ltd.**, Tokyo (JP)

(\*\*) Term: **14 Years**

(21) Appl. No.: **29/319,111**

(22) Filed: **Jun. 4, 2008**

(30) **Foreign Application Priority Data**

Dec. 7, 2007 (JP) ..... 2007-033539

(51) **LOC (9) Cl.** ..... **14-03**

(52) **U.S. Cl.** ..... **D14/126**

(58) **Field of Classification Search** ..... D14/125-134,  
D14/239, 371, 136, 374-377, 440, 450, 448,  
D14/336, 342; 312/7.2; 348/836, 838, 180,  
348/184, 325, 739; 341/12; 248/917-924,  
248/465; 345/104, 133, 156, 168, 87, 173;  
720/605, 669, 600, 655; 369/99, 197; 455/344,  
455/347; D21/329, 515, 577, 622, 333, 433,  
D21/448, 452, 450, 331; D6/477, 479; 273/148 B;  
446/484, 175, 356; D10/15, 26  
See application file for complete search history.

(56) **References Cited**

**U.S. PATENT DOCUMENTS**

D376,358 S \* 12/1996 Starck ..... D14/126  
D408,382 S \* 4/1999 Chuo et al. .... D14/374  
D411,990 S \* 7/1999 Usui ..... D14/380  
D430,874 S \* 9/2000 Hsu ..... D14/374  
D484,471 S \* 12/2003 Lin et al. .... D14/126  
D521,956 S \* 5/2006 Backs ..... D14/126  
D525,216 S \* 7/2006 Gibby ..... D14/126  
D526,974 S \* 8/2006 Reza et al. .... D14/126

D527,355 S \* 8/2006 Voege ..... D14/126  
D538,761 S \* 3/2007 Peng ..... D14/126  
D539,245 S \* 3/2007 Bischoff ..... D14/126  
D541,770 S \* 5/2007 Lee ..... D14/126  
D543,167 S \* 5/2007 Hung ..... D14/129  
D547,283 S \* 7/2007 Hsiung ..... D14/129  
D555,612 S \* 11/2007 Sukenari et al. .... D14/126  
D557,227 S \* 12/2007 Isshiki ..... D14/126  
D562,784 S \* 2/2008 Asanuma et al. .... D14/126  
D564,470 S \* 3/2008 Chiu ..... D14/126  
D565,527 S \* 4/2008 Riggs ..... D14/129  
D574,341 S \* 8/2008 Kuramashi et al. .... D14/126  
D576,121 S \* 9/2008 Isshiki ..... D14/126

**OTHER PUBLICATIONS**

U.S. Appl. No. 29/319,112, filed Jun. 4, 2008, Toshinori Yuuki et al.

\* cited by examiner

*Primary Examiner*—Raphael Barkai

(74) *Attorney, Agent, or Firm*—Sughrue Mion, PLLC

(57) **CLAIM**

The ornamental design for a display, as shown and described.

**DESCRIPTION**

FIG. 1 is a front, right side, top perspective view of a display showing our new design;

FIG. 2 is a front elevational view thereof;

FIG. 3 is a rear elevational view thereof;

FIG. 4 is a left side view thereof;

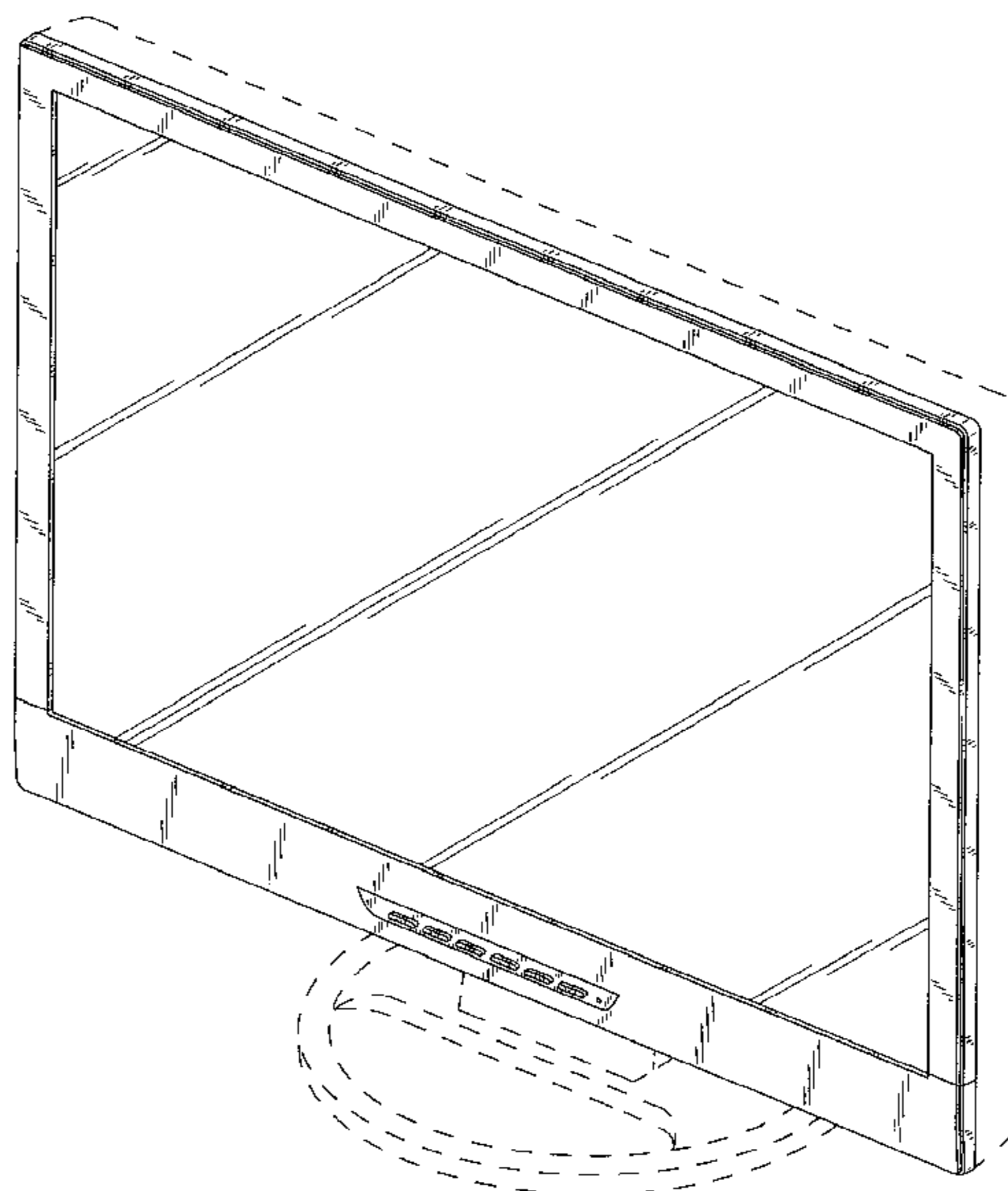
FIG. 5 is a right side view thereof;

FIG. 6 is a top plan view thereof; and,

FIG. 7 is a bottom plan view thereof.

The portions in broken lines are shown for illustrative purposes only and form no part of the claimed design.

**1 Claim, 6 Drawing Sheets**



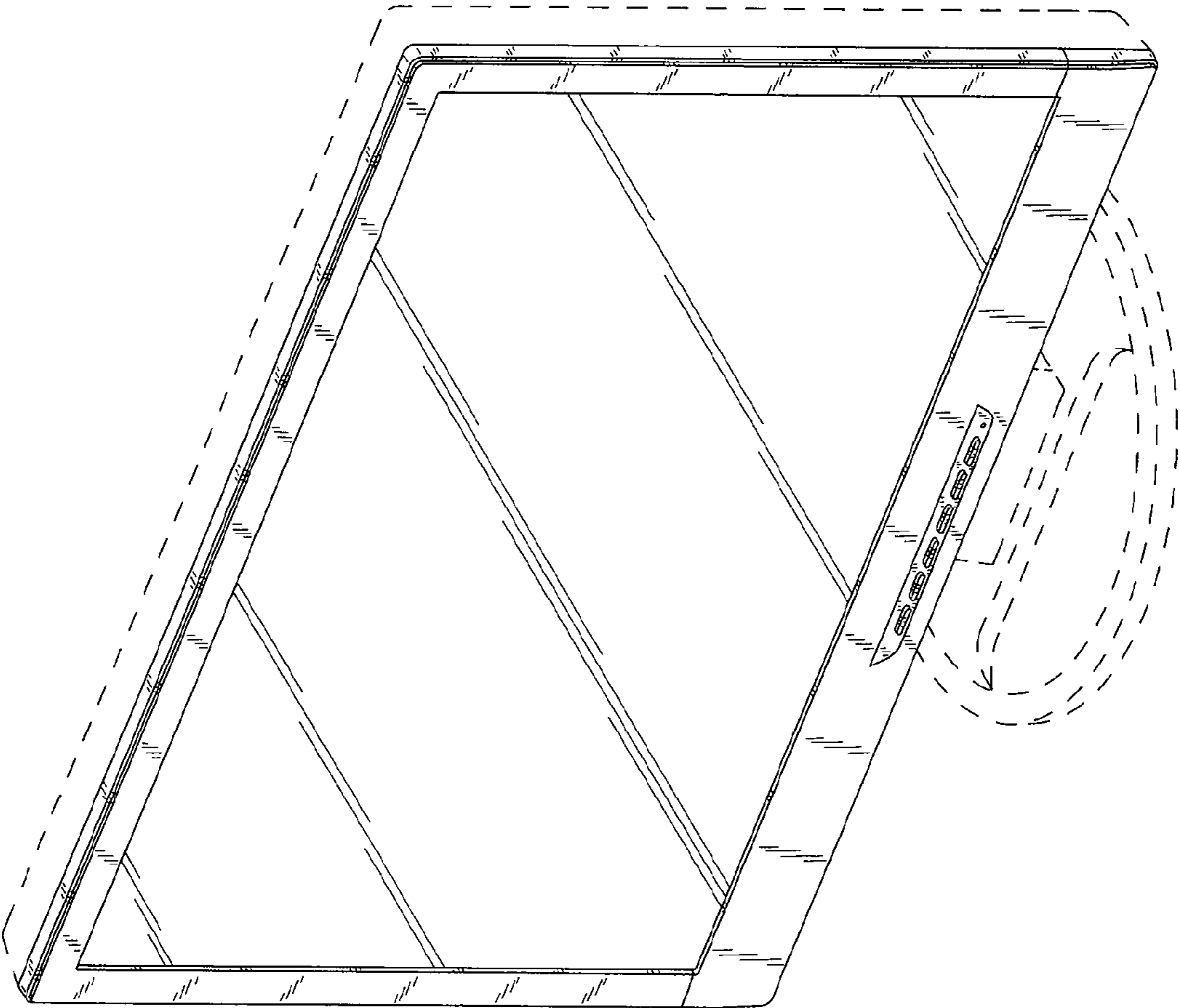


FIG. 1

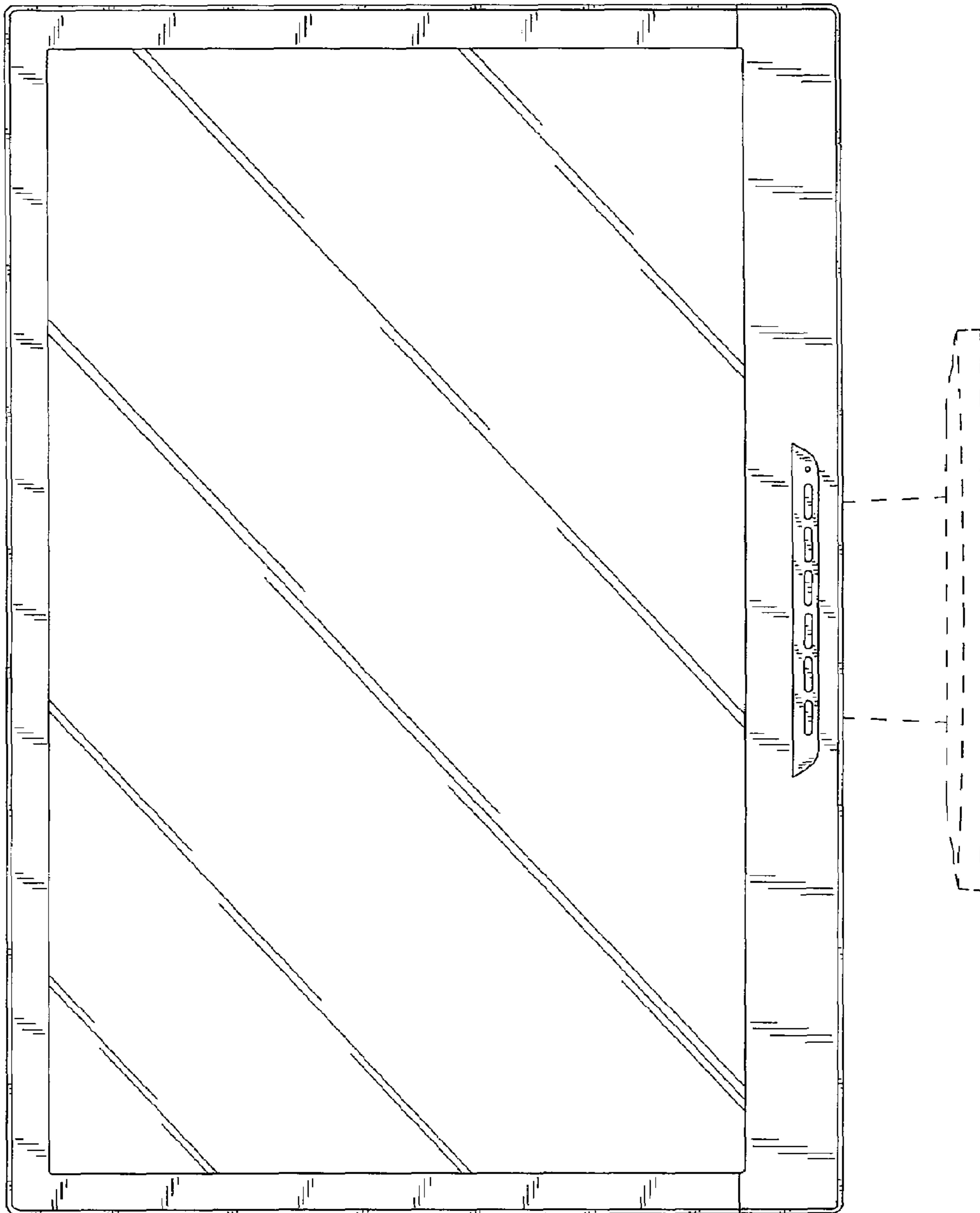


FIG. 2

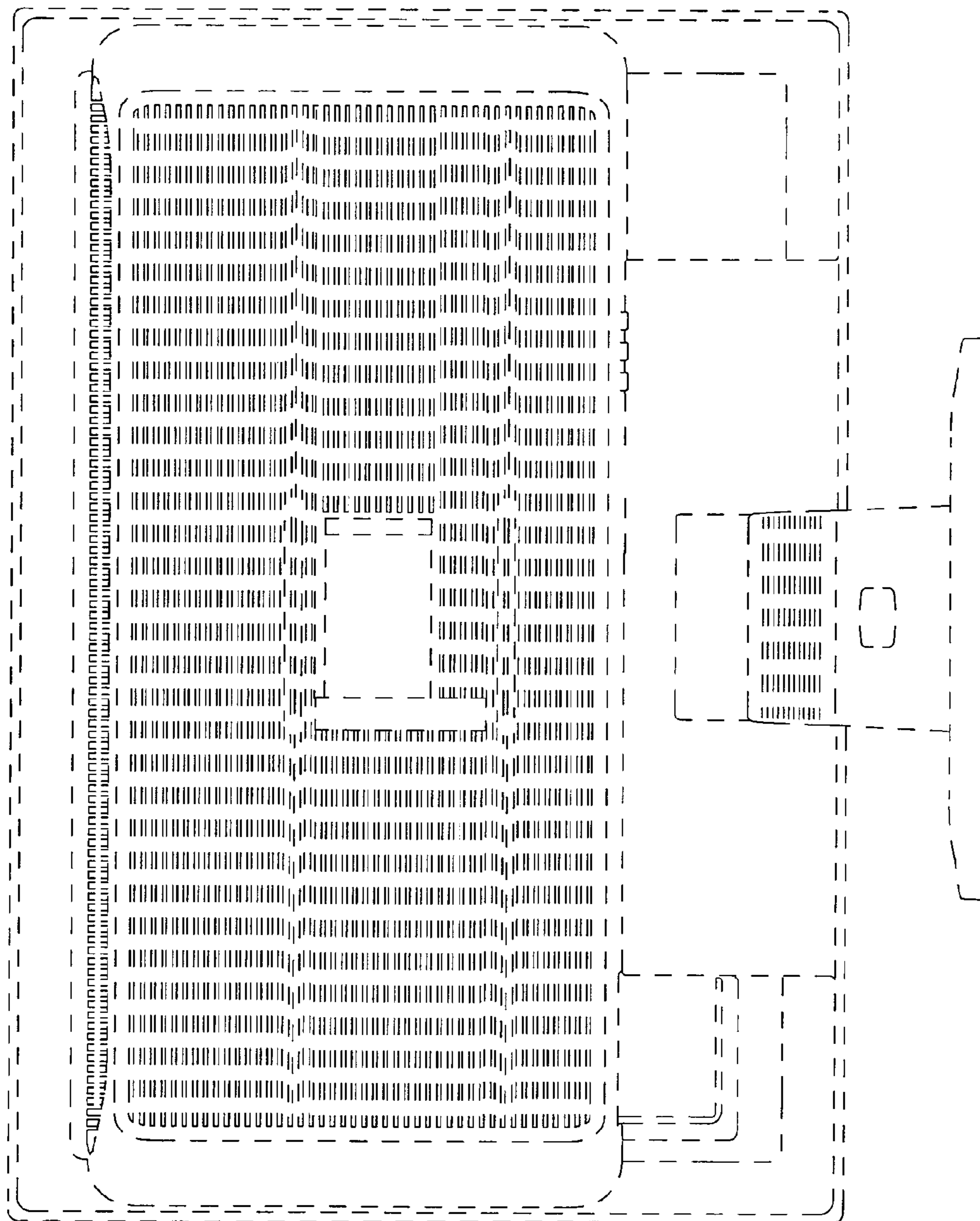


FIG. 3

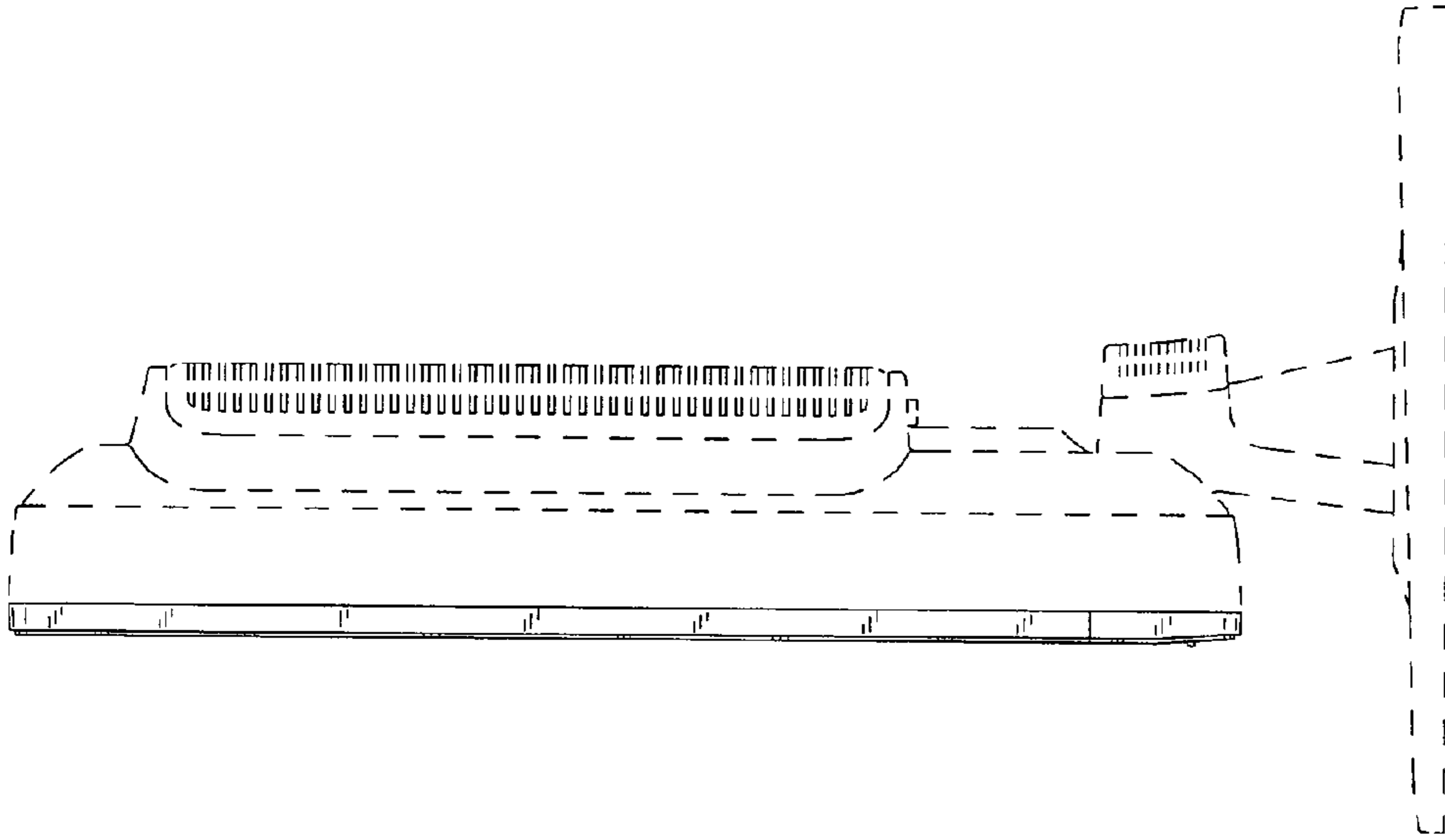


FIG. 5

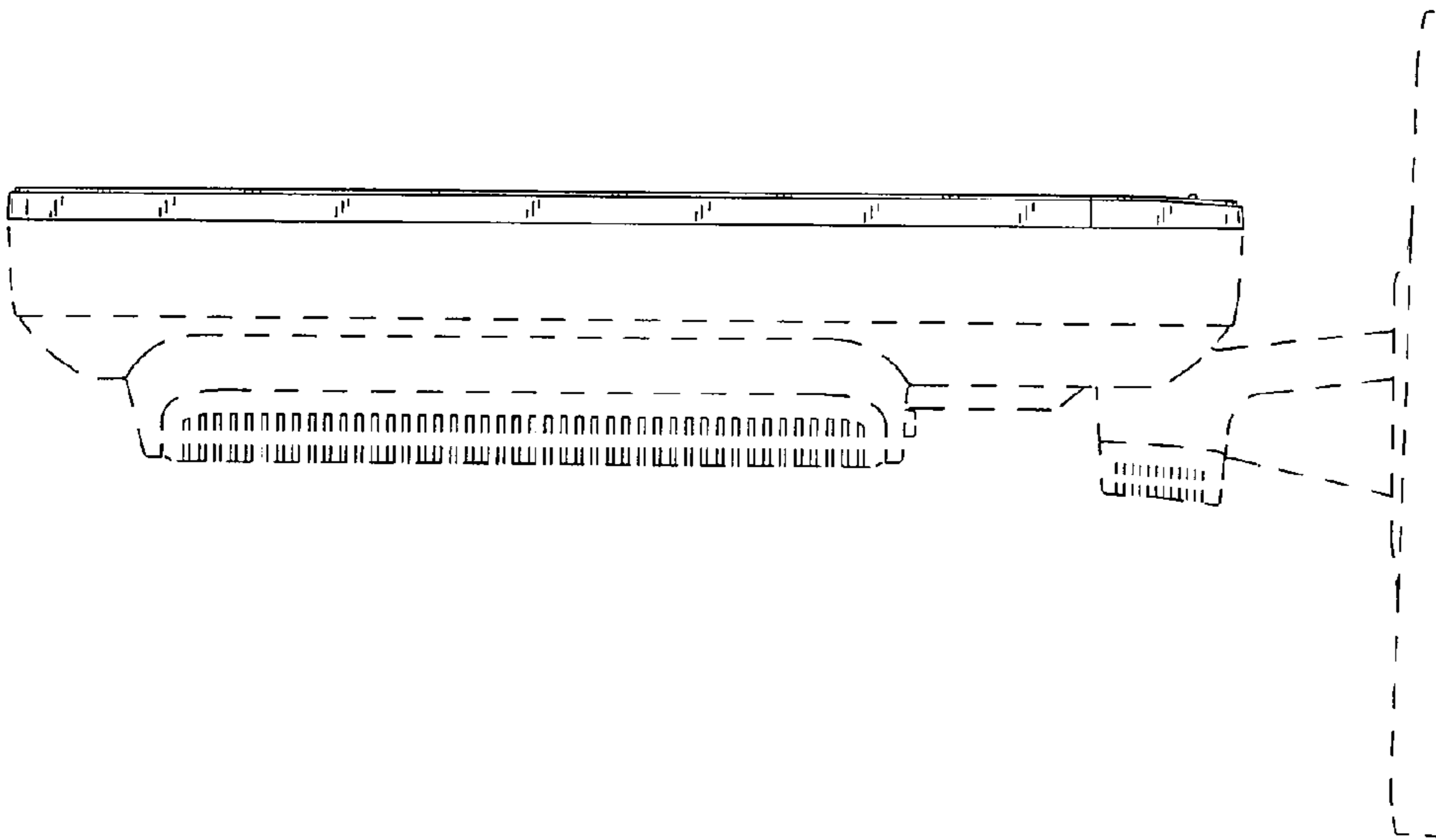


FIG. 4

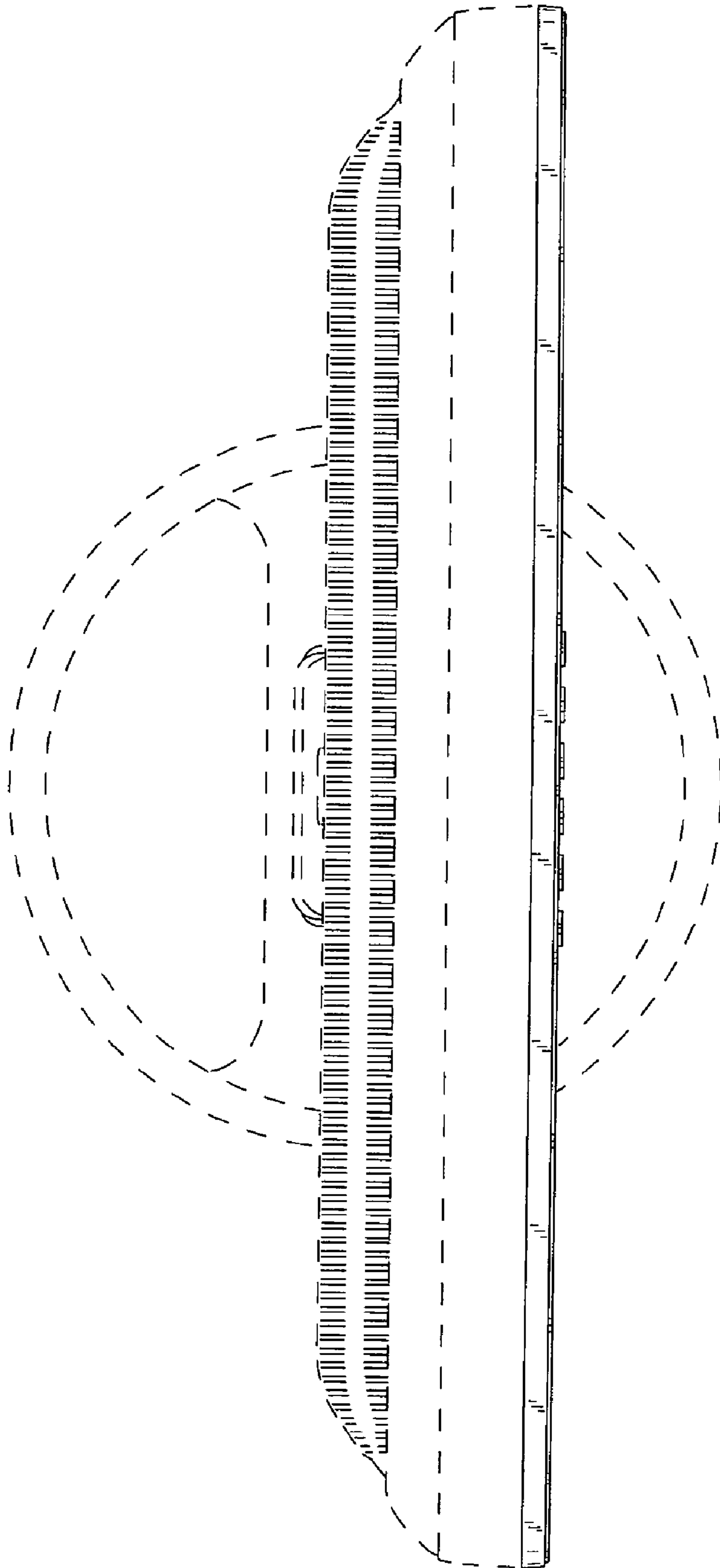
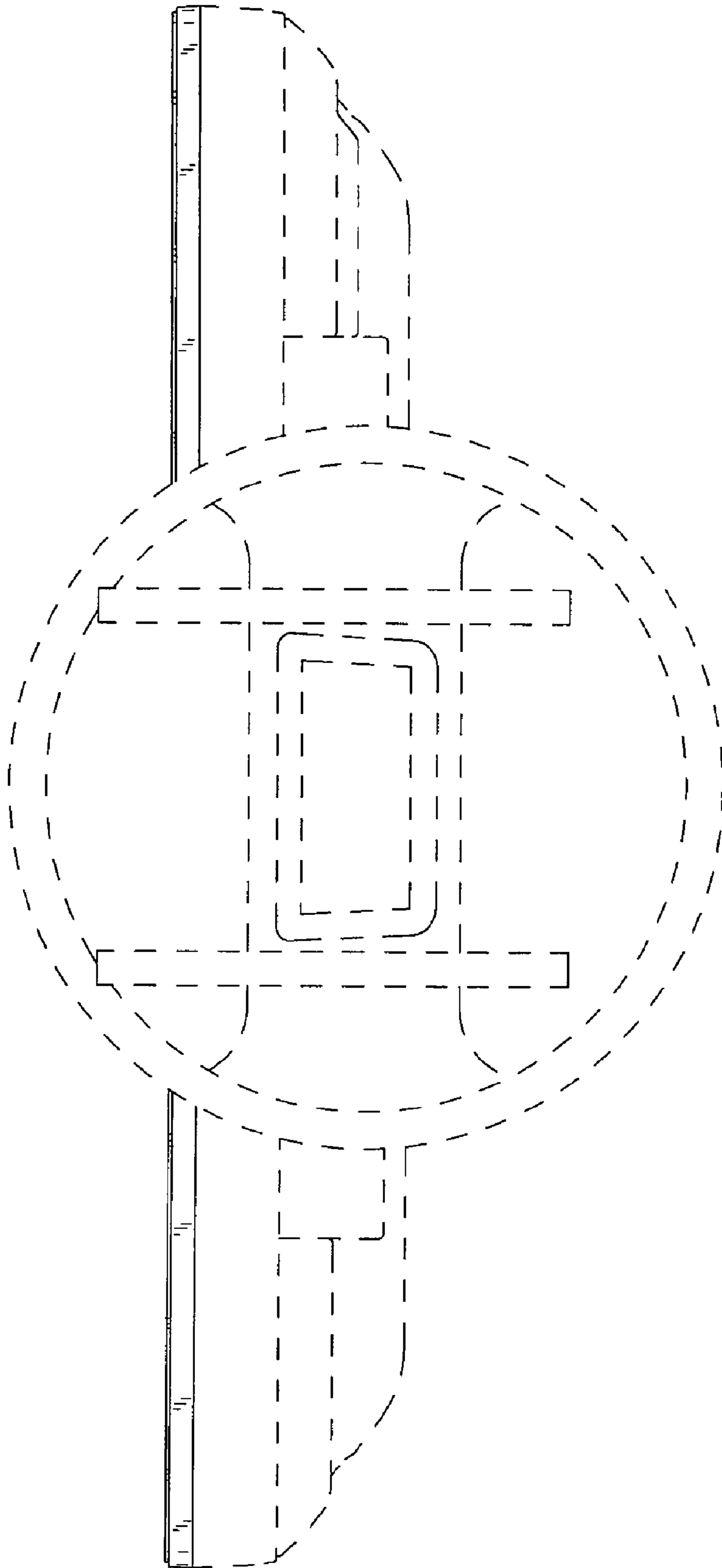


FIG. 6



**FIG. 7**