



US00D594425S

(12) **United States Design Patent**
Ohsawa et al.

(10) **Patent No.:** **US D594,425 S**
(45) **Date of Patent:** **** Jun. 16, 2009**

(54) **IDENTIFICATION MARK FOR A WIRING
CIRCUIT BOARD CARRYING SHEET**

(75) Inventors: **Tetsuya Ohsawa**, Osaka (JP); **Yoshihiko
Takeuchi**, Osaka (JP); **Kouji Kataoka**,
Osaka (JP)

(73) Assignee: **Nitto Denko Corporation**, Osaka (JP)

(**) Term: **14 Years**

(21) Appl. No.: **29/324,370**

(22) Filed: **Sep. 11, 2008**

Related U.S. Application Data

(62) Division of application No. 29/265,134, filed on Aug.
25, 2006, now Pat. No. Des. 580,382.

(30) **Foreign Application Priority Data**

Mar. 2, 2006	(JP)	2006-005237
Mar. 2, 2006	(JP)	2006-005239
Mar. 2, 2006	(JP)	2006-005240
Mar. 2, 2006	(JP)	2006-005241

(51) **LOC (9) Cl.** **13-03**

(52) **U.S. Cl.** **D13/182**

(58) **Field of Classification Search** D13/182;
174/250; 257/797; 361/801, 802; 439/377;
438/462

See application file for complete search history.

(56) **References Cited**

U.S. PATENT DOCUMENTS

4,523,883 A * 6/1985 Peterson et al. 411/171

(Continued)

Primary Examiner—Selina Sikder

(74) *Attorney, Agent, or Firm*—Osha · Liang LLP

(57) **CLAIM**

The ornamental design for an identification mark for a wiring
circuit board carrying sheet, as shown and described.

DESCRIPTION

FIG. 1 is a front view of the identification mark design accord-
ing to an embodiment of the invention, shown placed on a
wiring circuit board.

FIG. 2 is a rear view of the identification mark design accord-
ing to the embodiment of the invention, shown placed on a
wiring circuit board.

FIG. 3 is a right side edge view of the identification mark
design according to the embodiment of the invention, shown
placed on a wiring circuit board. The left side edge view is a
mirror image of the right side view.

FIG. 4 is a bottom edge view of the identification mark design
according to the embodiment of the invention, shown placed
on a wiring circuit board. The top edge view is a mirror image
of the bottom edge view.

FIG. 5 is an enlarged front view of the identification mark
design according to the embodiment of the invention.

FIG. 6 is an enlarged rear view of the identification mark
design according to the embodiment of the invention.

FIG. 7 is an enlarged top edge view of the identification mark
design according to the embodiment of the invention. The
bottom edge view is a mirror image of the top edge view.

FIG. 8 is an enlarged left side view of the identification mark
design according to the embodiment of the invention. The
right side view is a mirror image of the left side view.

FIG. 9 is a cross-sectional end view of the identification mark
design according to the embodiment of the invention, taken
along Line 9—9 as shown in FIG. 5.

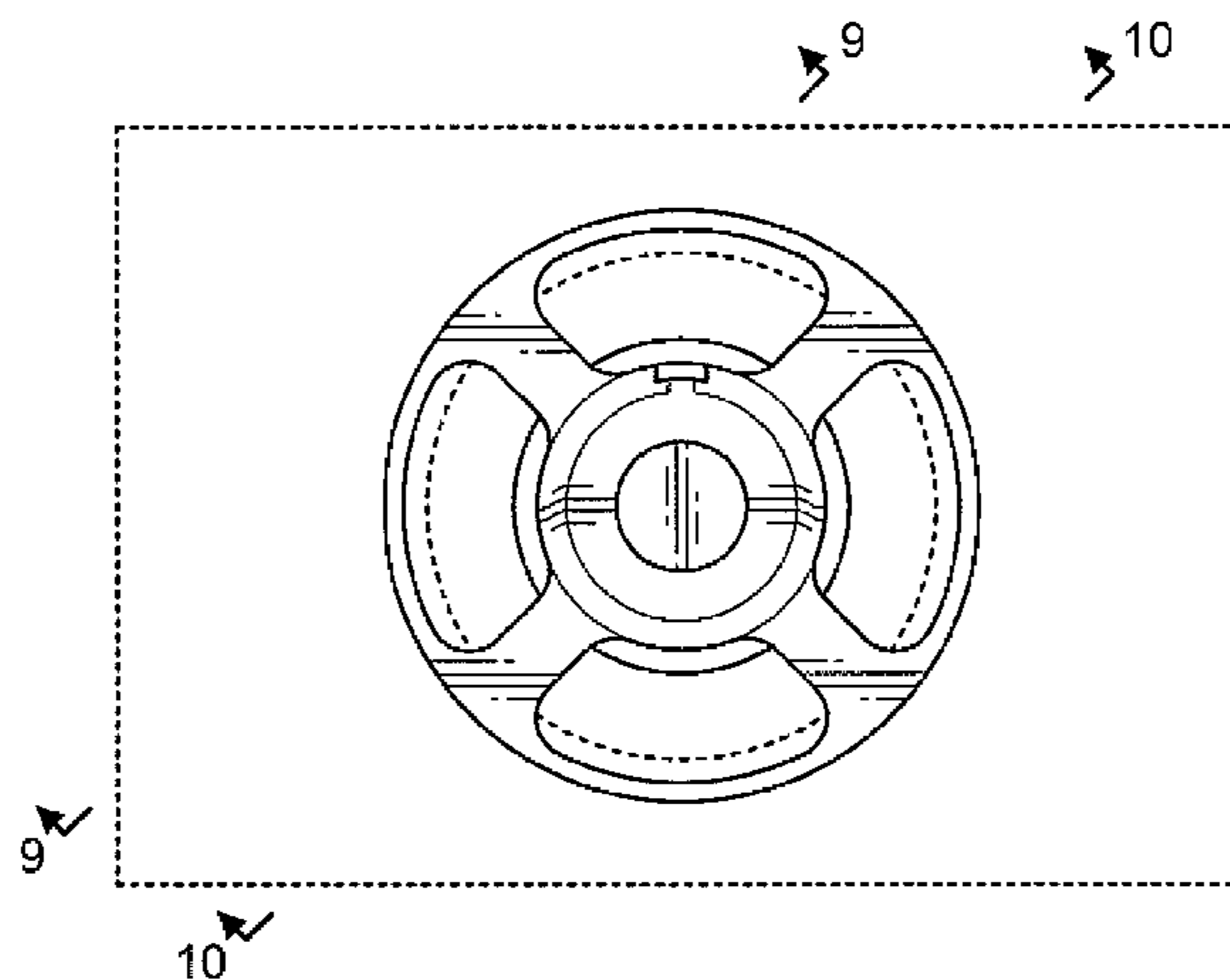
FIG. 10 is a cross-sectional end view of the identification
mark design according to the embodiment of the invention,
taken along Line 10—10 as shown in FIG. 5.

FIG. 11 is an expanded front view of the identification mark
design according to the embodiment of the invention, shown
placed on an entire wiring circuit board carrying sheet; and,

FIG. 12 is an expanded rear view of the identification mark
design according to the embodiment of the invention, shown
placed on an entire wiring circuit board carrying sheet.

The broken line showing of the environment is for illustrative
purposes only and forms no part of the claimed design.

1 Claim, 5 Drawing Sheets



US D594,425 S

Page 2

U.S. PATENT DOCUMENTS

4,589,794	A *	5/1986	Sugiura et al.	403/187	6,923,691	B2 *	8/2005	Ireland	439/876
5,535,100	A *	7/1996	Lubahn et al.	361/801	D580,382	S *	11/2008	Ohsawa et al.	D13/182
5,750,936	A *	5/1998	Wheatley et al.	174/138 G	2002/0027017	A1 *	3/2002	Petri	174/250
5,751,558	A *	5/1998	Gullicksrud et al.	361/801	2005/0045370	A1 *	3/2005	Katayama	174/250
6,021,563	A *	2/2000	Heo et al.	29/846	2007/0247827	A1 *	10/2007	Lorenzen	361/801
6,215,667	B1 *	4/2001	Ady et al.	361/752	2008/0012095	A1 *	1/2008	Lee et al.	257/618

* cited by examiner

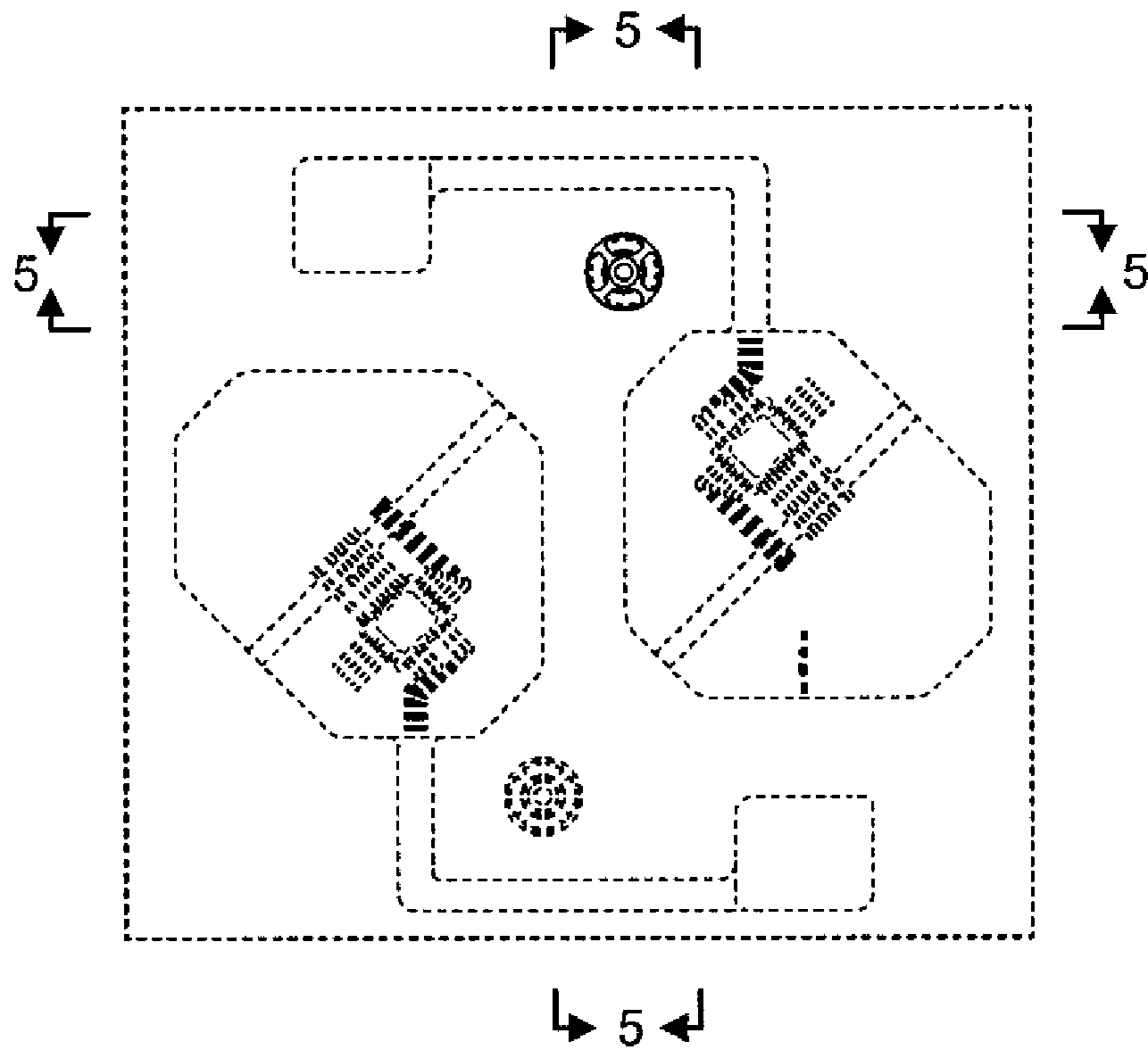


FIG. 1

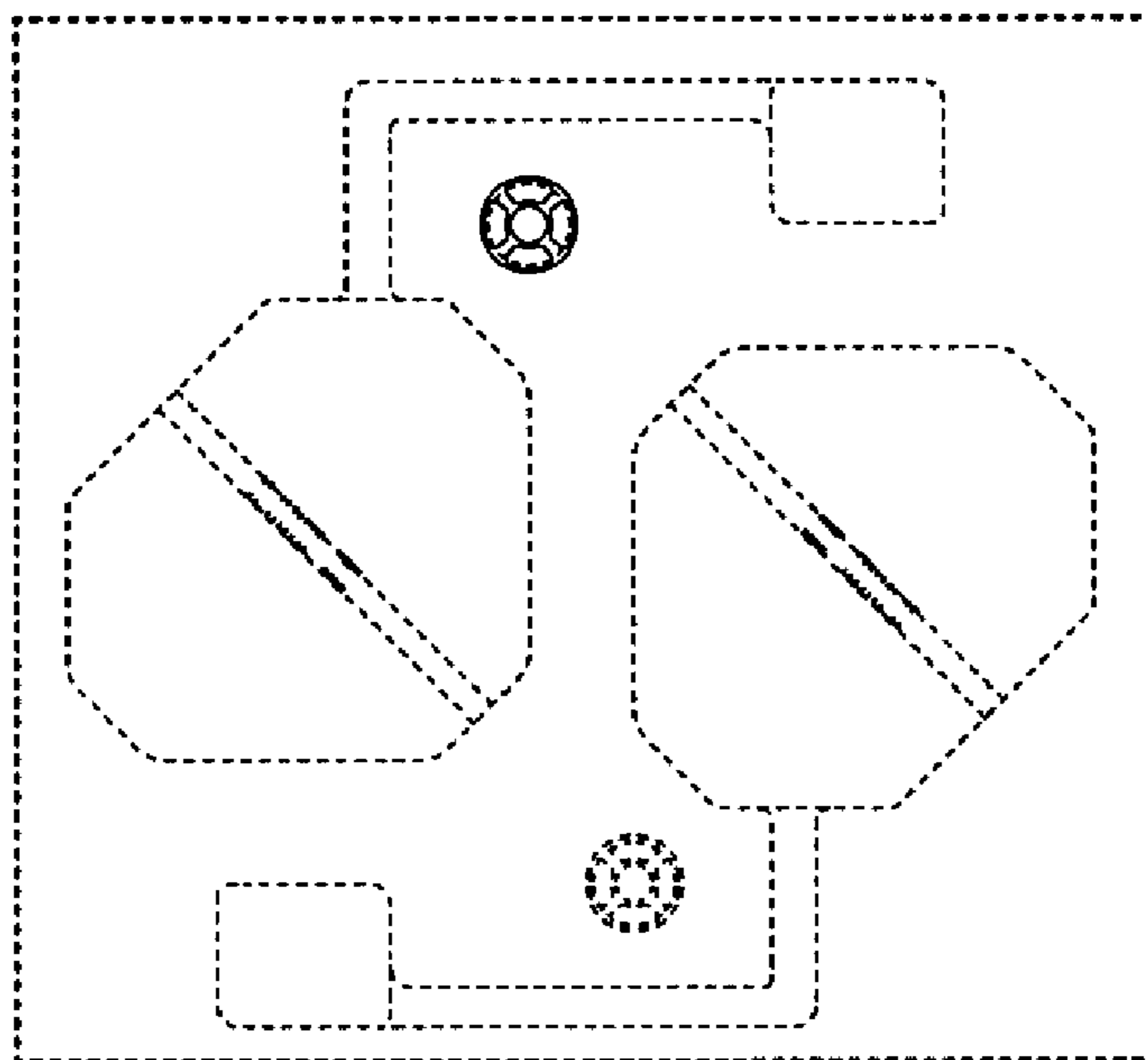


FIG. 2



FIG. 3



FIG. 4

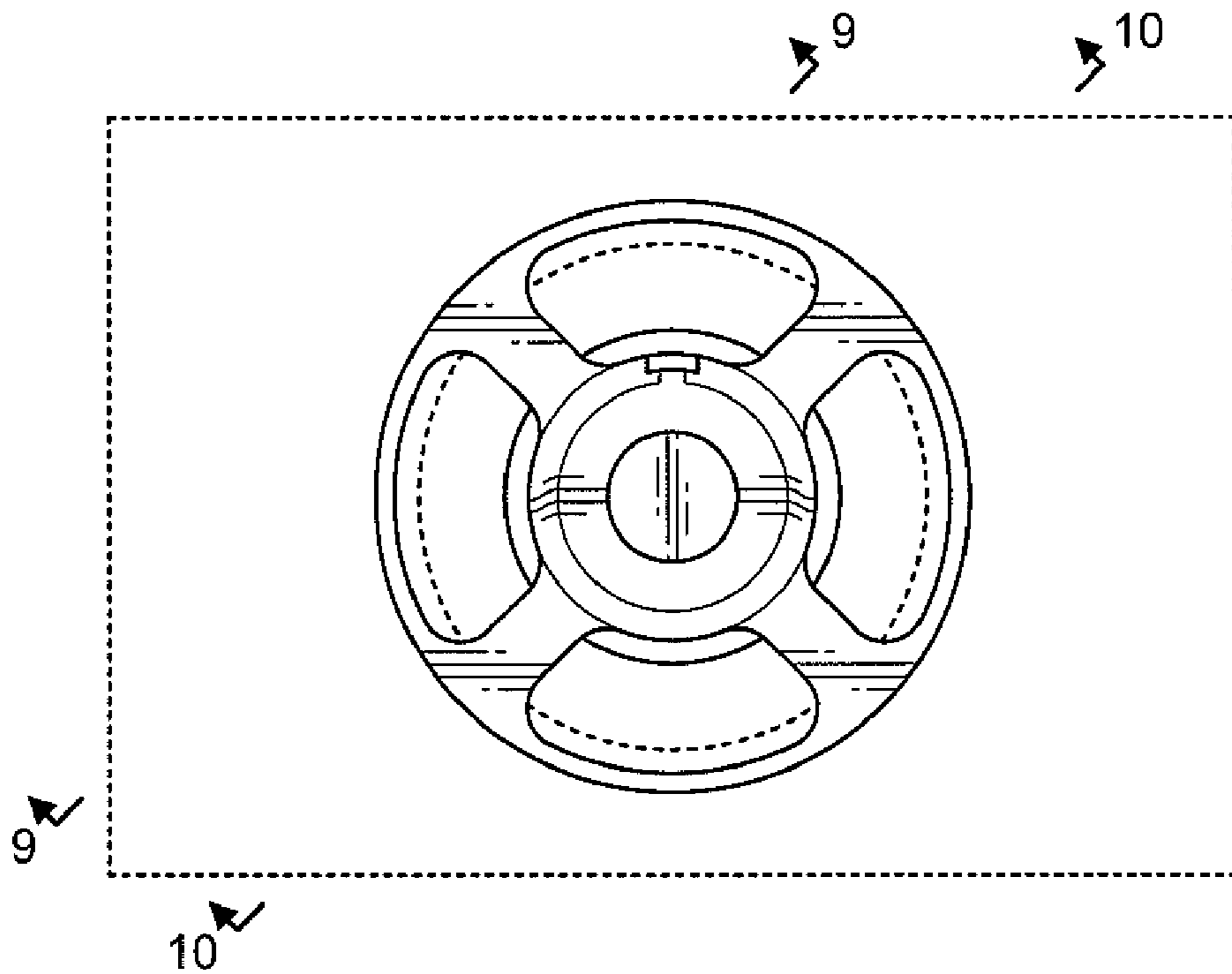


FIG. 5

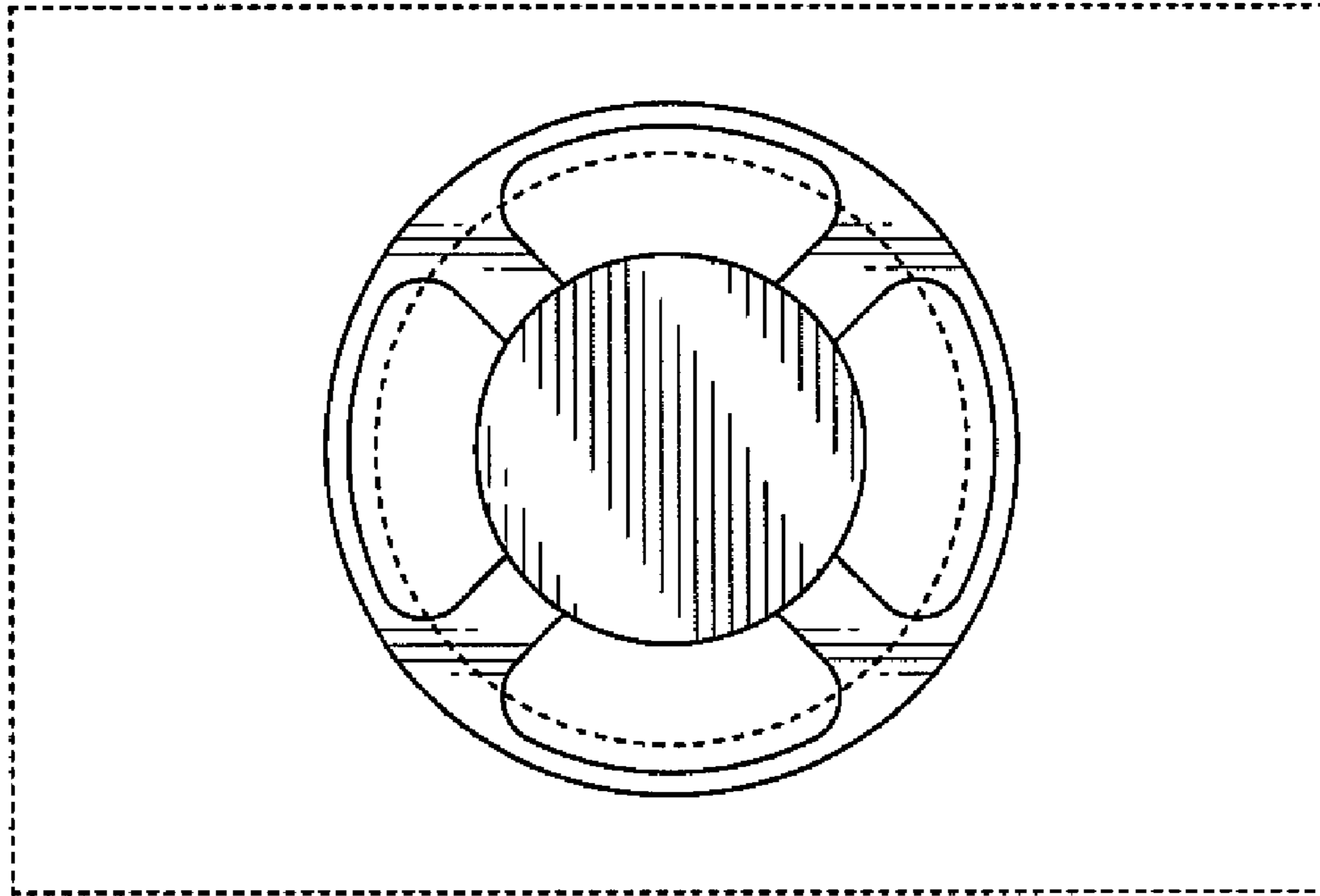


FIG. 6

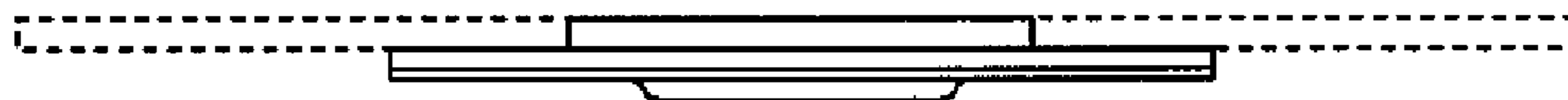


FIG. 7

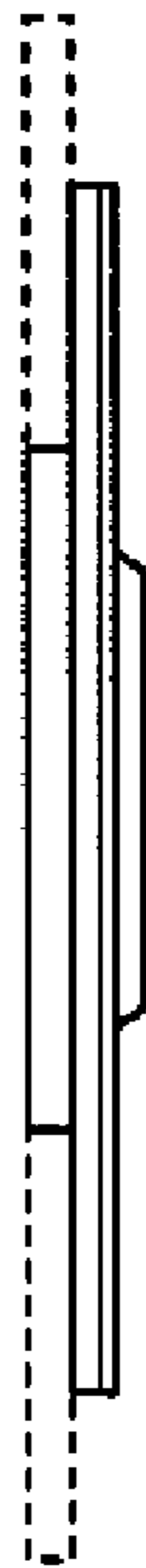


FIG. 8



FIG. 9



FIG. 10

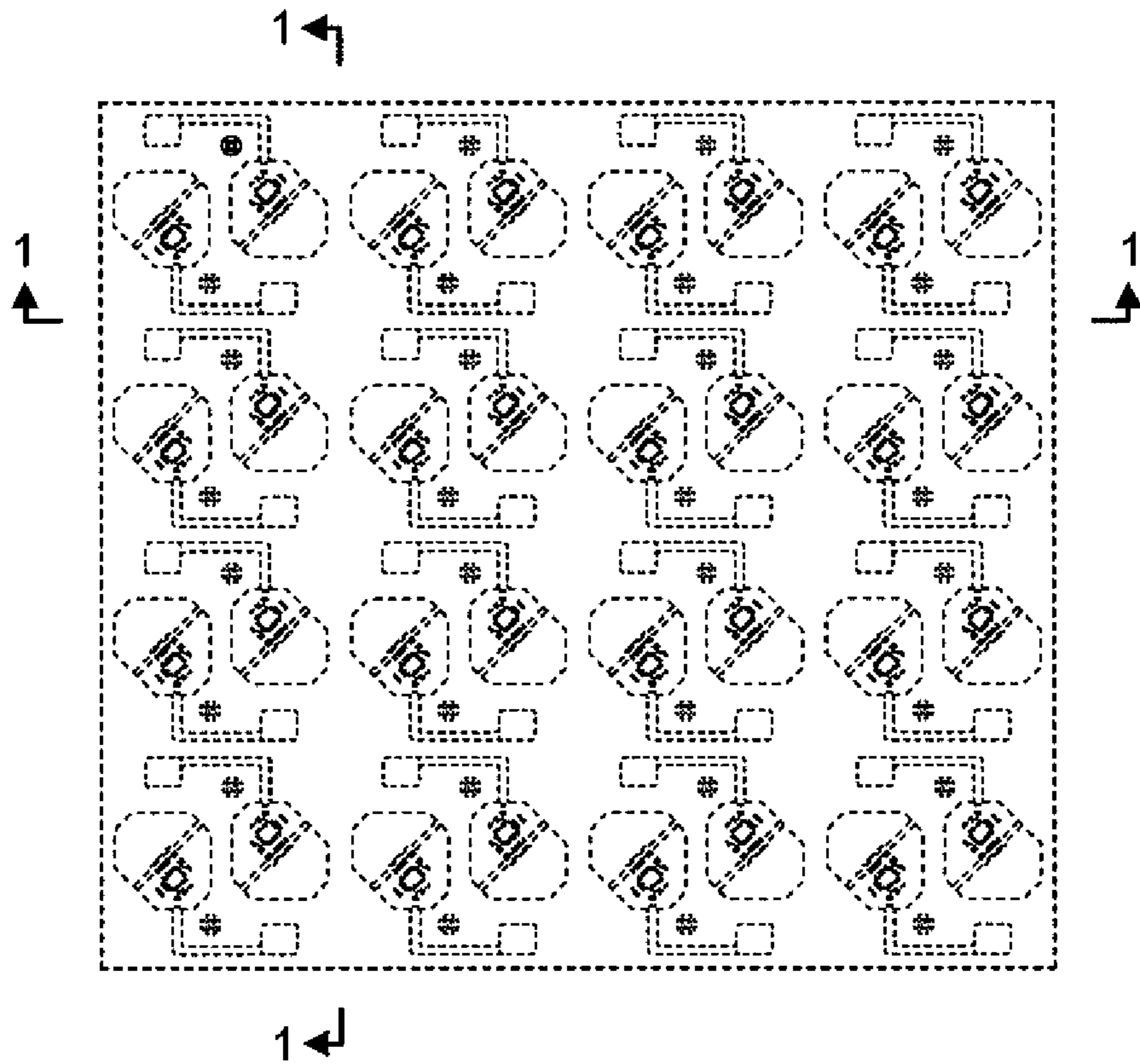


FIG. 11

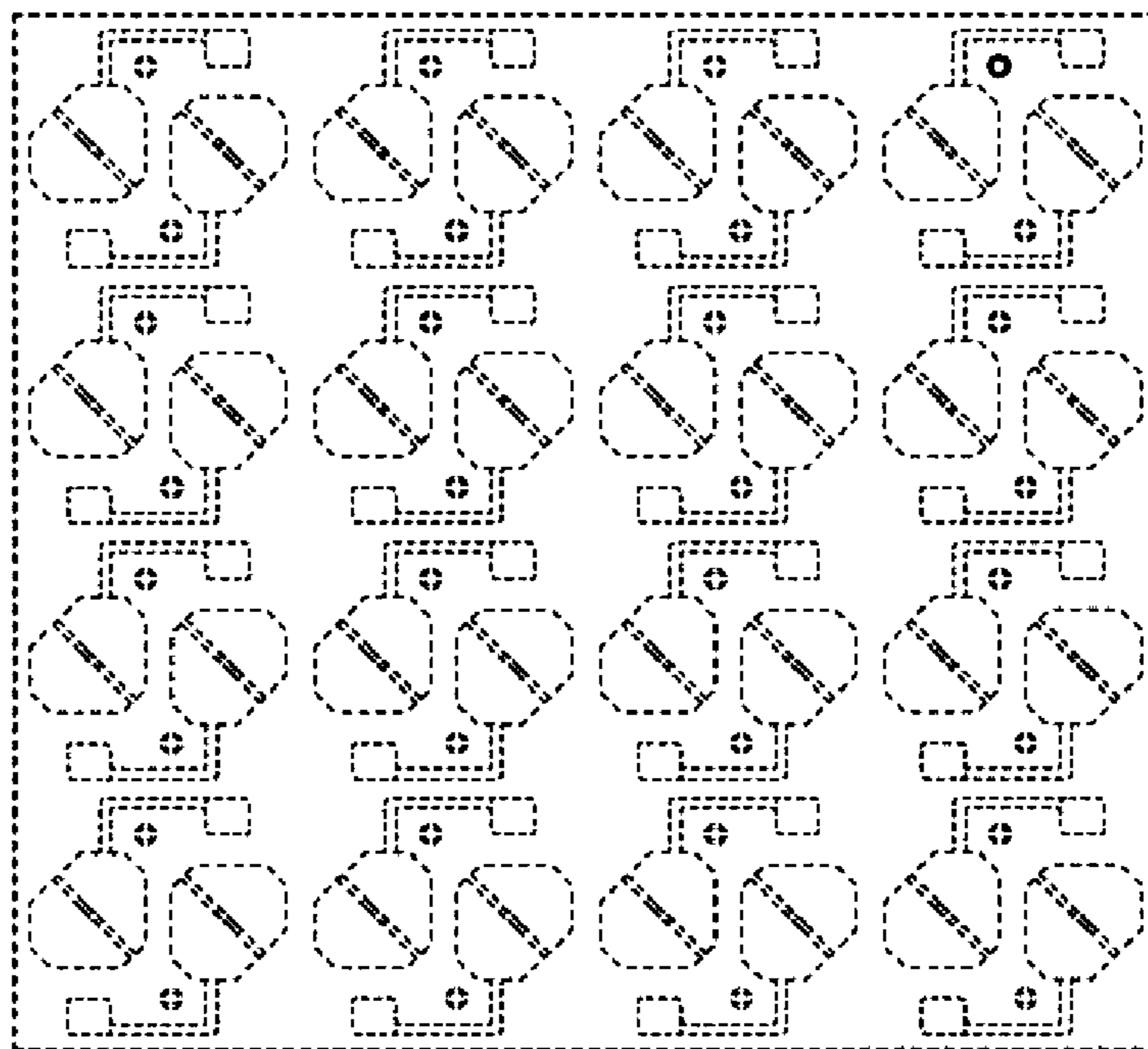


FIG. 12