



US00D594424S

(12) **United States Design Patent**
Lin et al.

(10) **Patent No.:** **US D594,424 S**
(45) **Date of Patent:** **** Jun. 16, 2009**

(54) **WAFER CARRIER**

(75) Inventors: **Cheng-Feng Lin**, Taichung (TW);
Tsang-Chou Lee, Taichung (TW)

(73) Assignee: **Hiwin Mikrosystem Corp.**, Taichung
(TW)

(**) Term: **14 Years**

(21) Appl. No.: **29/282,117**

(22) Filed: **Jul. 12, 2007**

(51) **LOC (9) Cl.** **13-03**

(52) **U.S. Cl.** **D13/182**

(58) **Field of Classification Search** D13/182;
118/500; 206/710, 711; 324/755, 765; 414/217,
414/222.01; 451/41, 288

See application file for complete search history.

(56) **References Cited**

U.S. PATENT DOCUMENTS

| | | | | | |
|-----------|------|---------|-----------------|-------|------------|
| 5,909,994 | A * | 6/1999 | Blum et al. | | 414/217 |
| 6,132,160 | A * | 10/2000 | Iwai | | 414/416.03 |
| 6,777,964 | B2 * | 8/2004 | Navratil et al. | | 324/754 |
| D571,740 | S * | 6/2008 | Hosaka | | D13/182 |
| 7,420,381 | B2 * | 9/2008 | Burcham et al. | | 324/754 |

2004/0100297 A1* 5/2004 Tanioka et al. 324/765
2008/0236755 A1* 10/2008 Kondoh et al. 156/345.51

* cited by examiner

Primary Examiner—Selina Sikder

(74) *Attorney, Agent, or Firm*—Banger Shia

(57) **CLAIM**

The ornamental design for a wafer carrier, as shown and described.

DESCRIPTION

FIG. 1 is a perspective view of a wafer carrier showing my new design;

FIG. 2 is a front elevational view thereof;

FIG. 3 is a rear elevational view thereof;

FIG. 4 is a left side elevational view thereof;

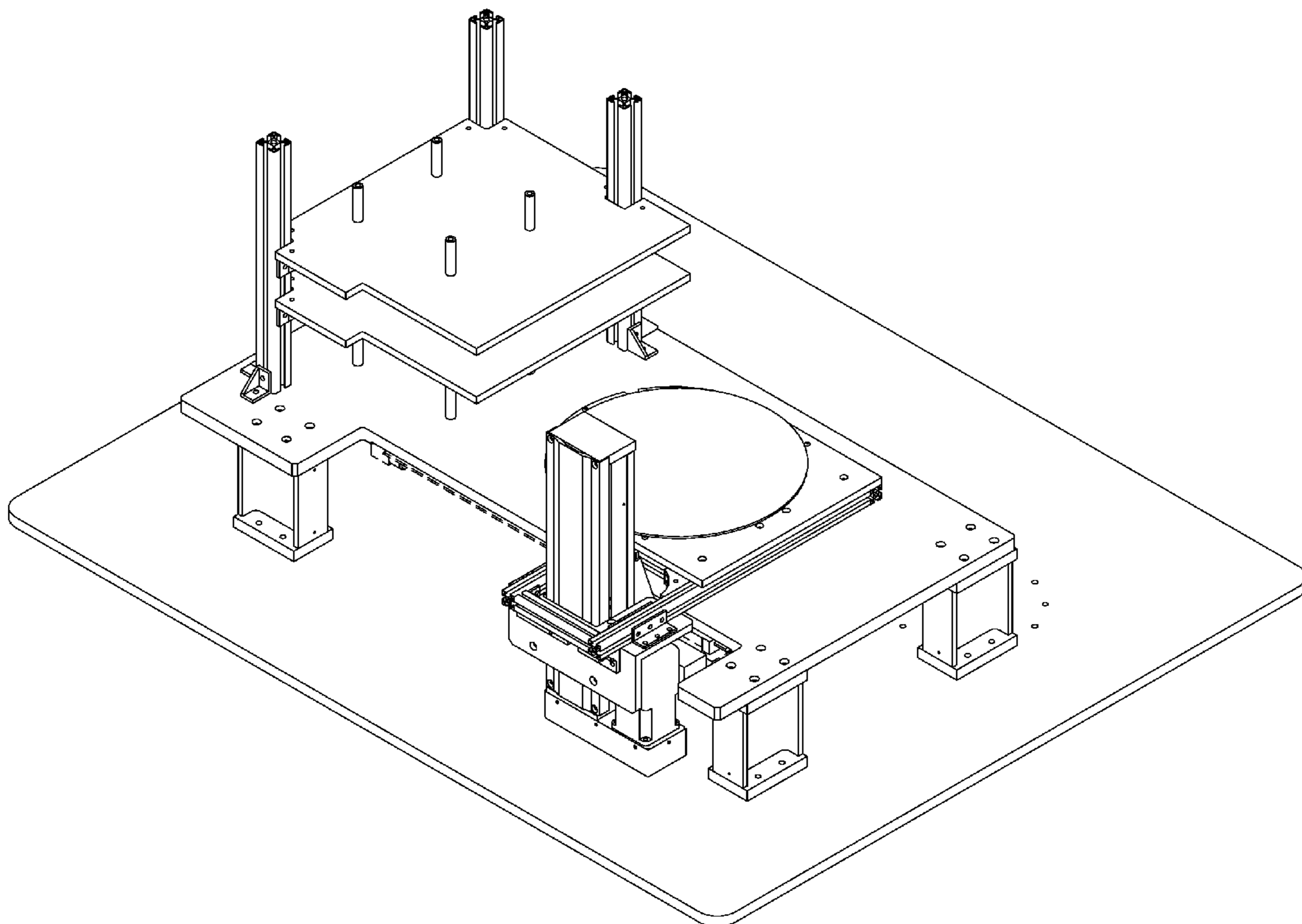
FIG. 5 is a right side elevational view thereof;

FIG. 6 is a top plan view thereof; and,

FIG. 7 is a bottom plan view to that shown.

The broken line showing portion of the wafer carrier is for illustrative purposes only and forms no part of the claimed design.

1 Claim, 7 Drawing Sheets



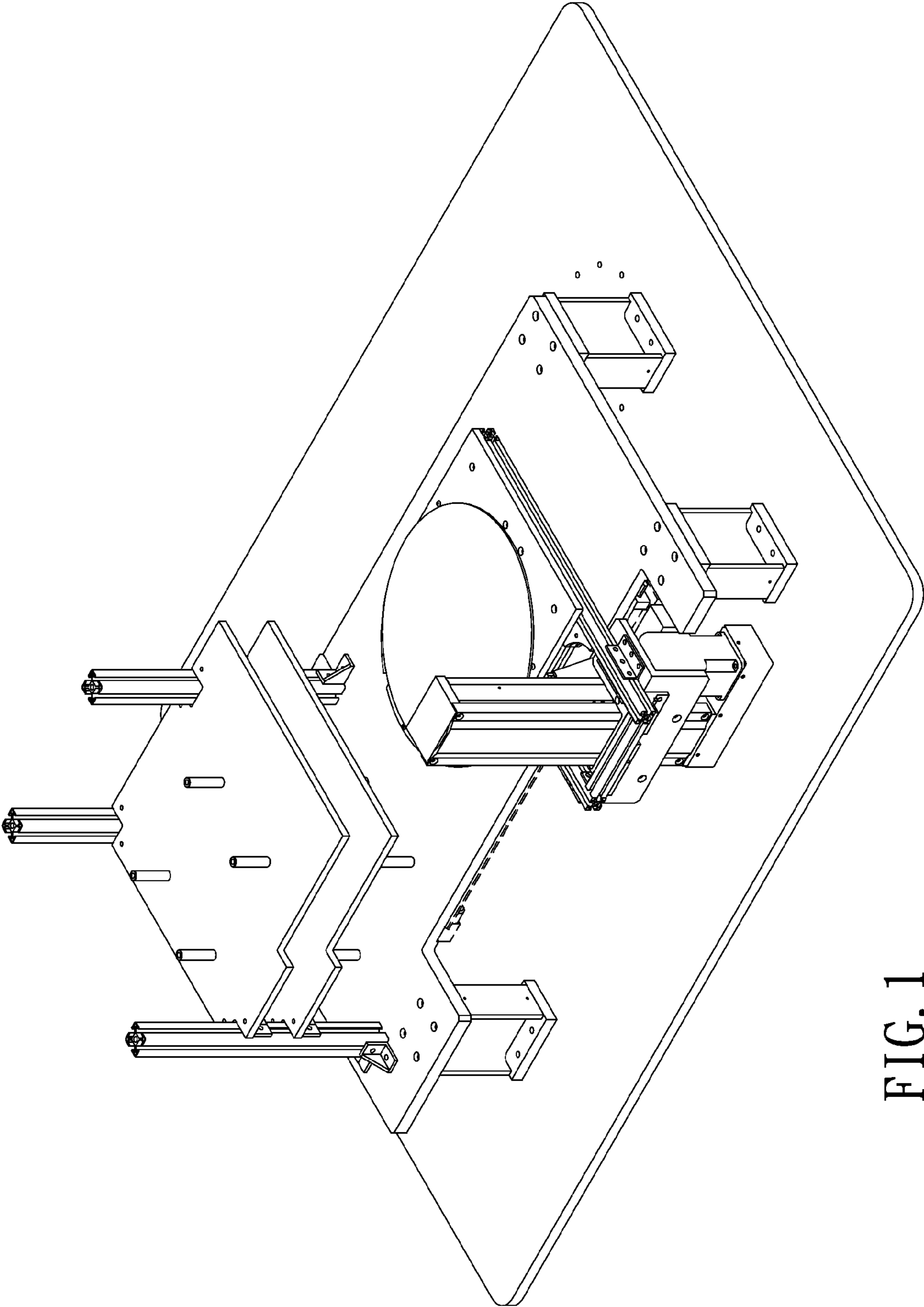


FIG. 1

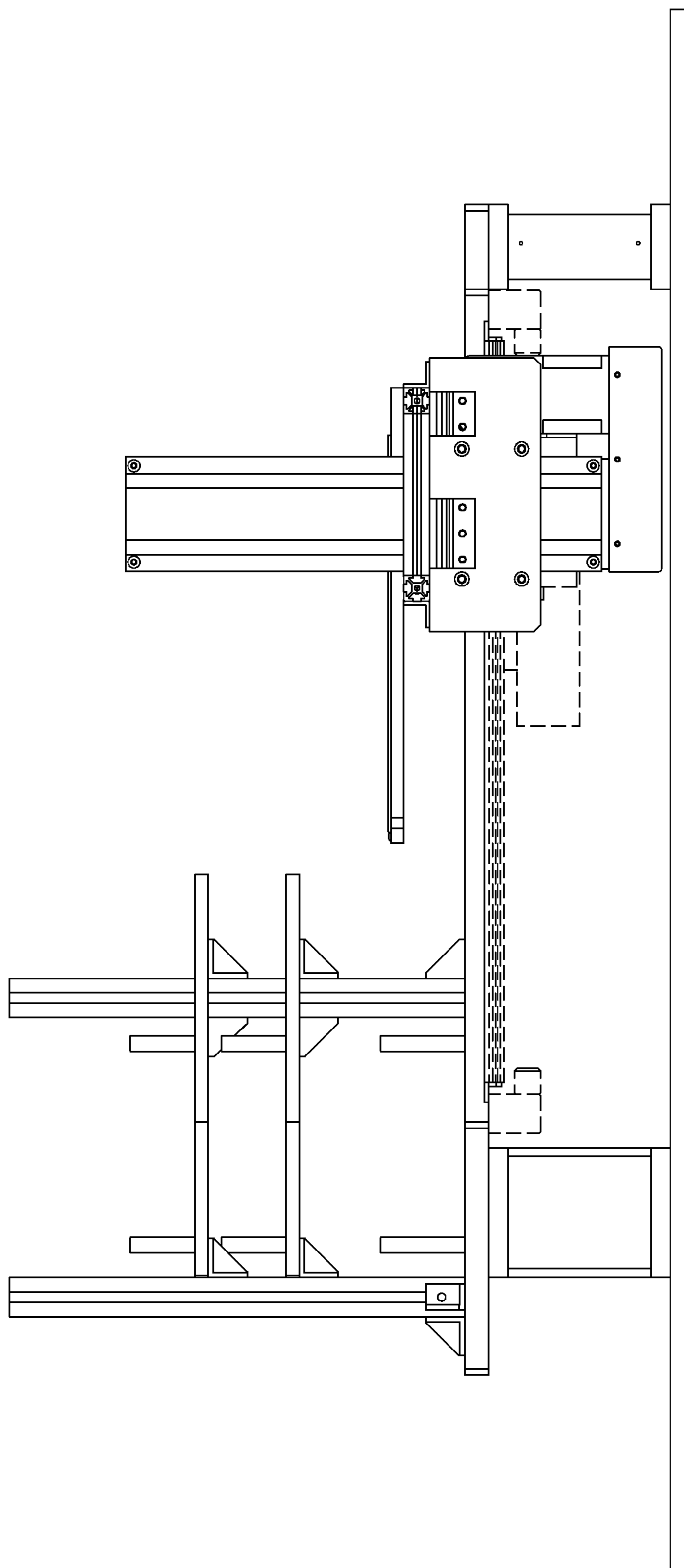


FIG. 2

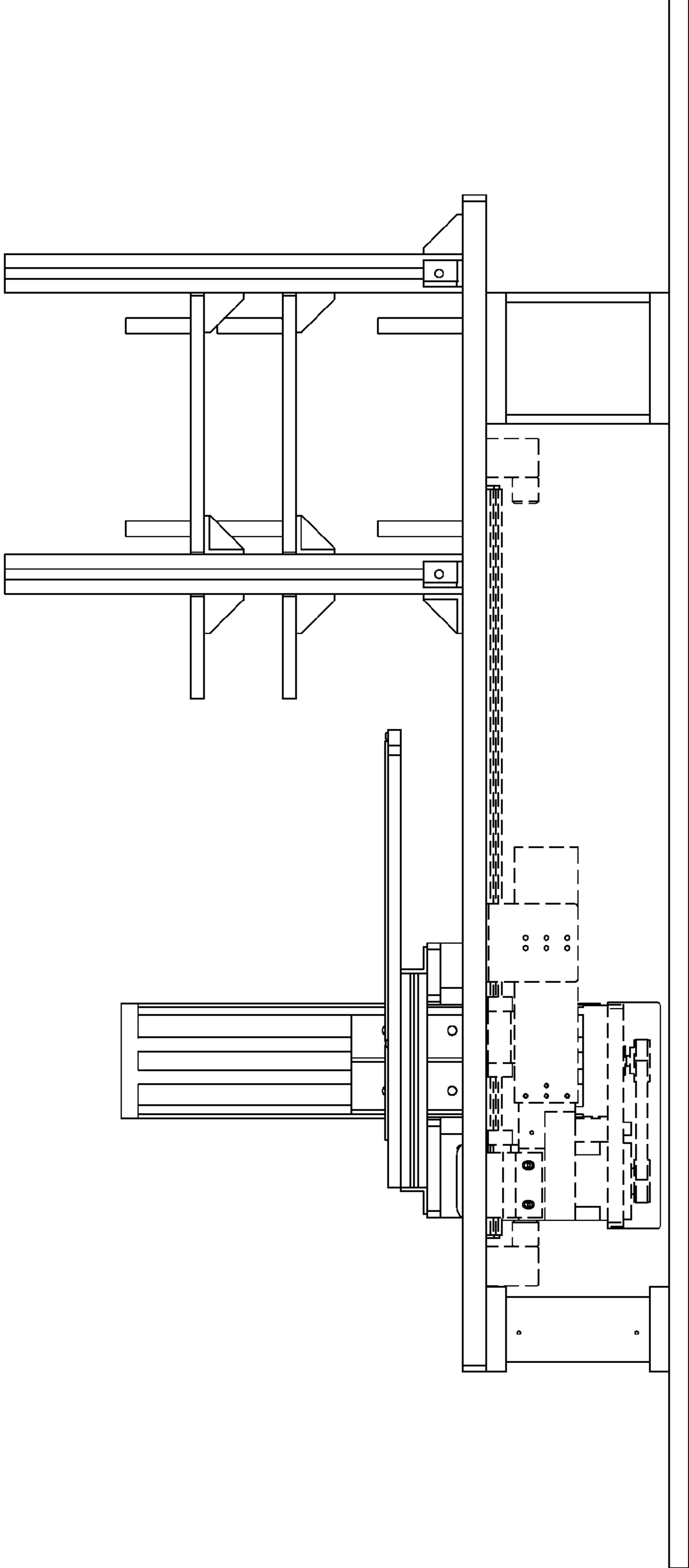


FIG. 3

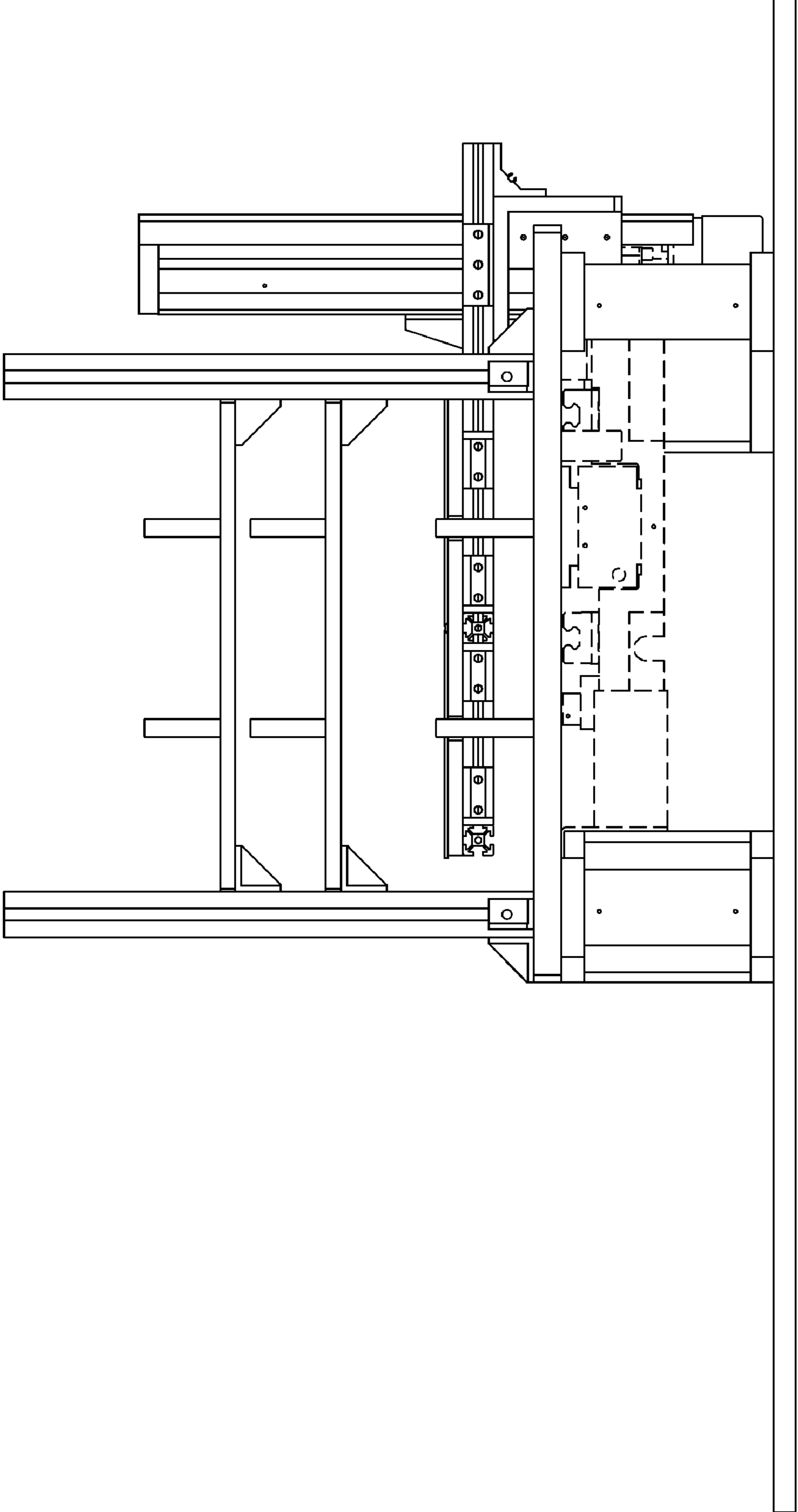


FIG. 4

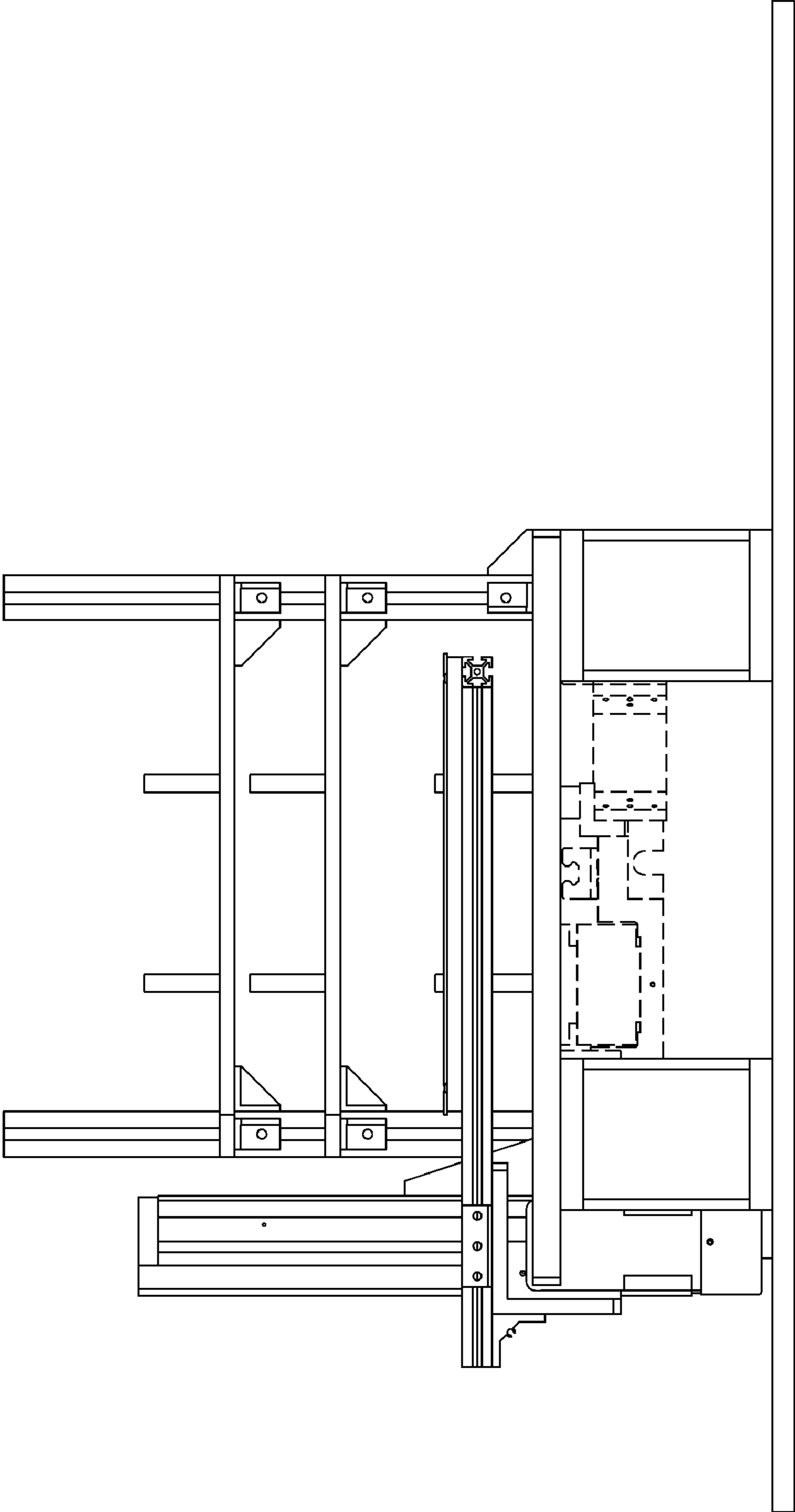


FIG. 5

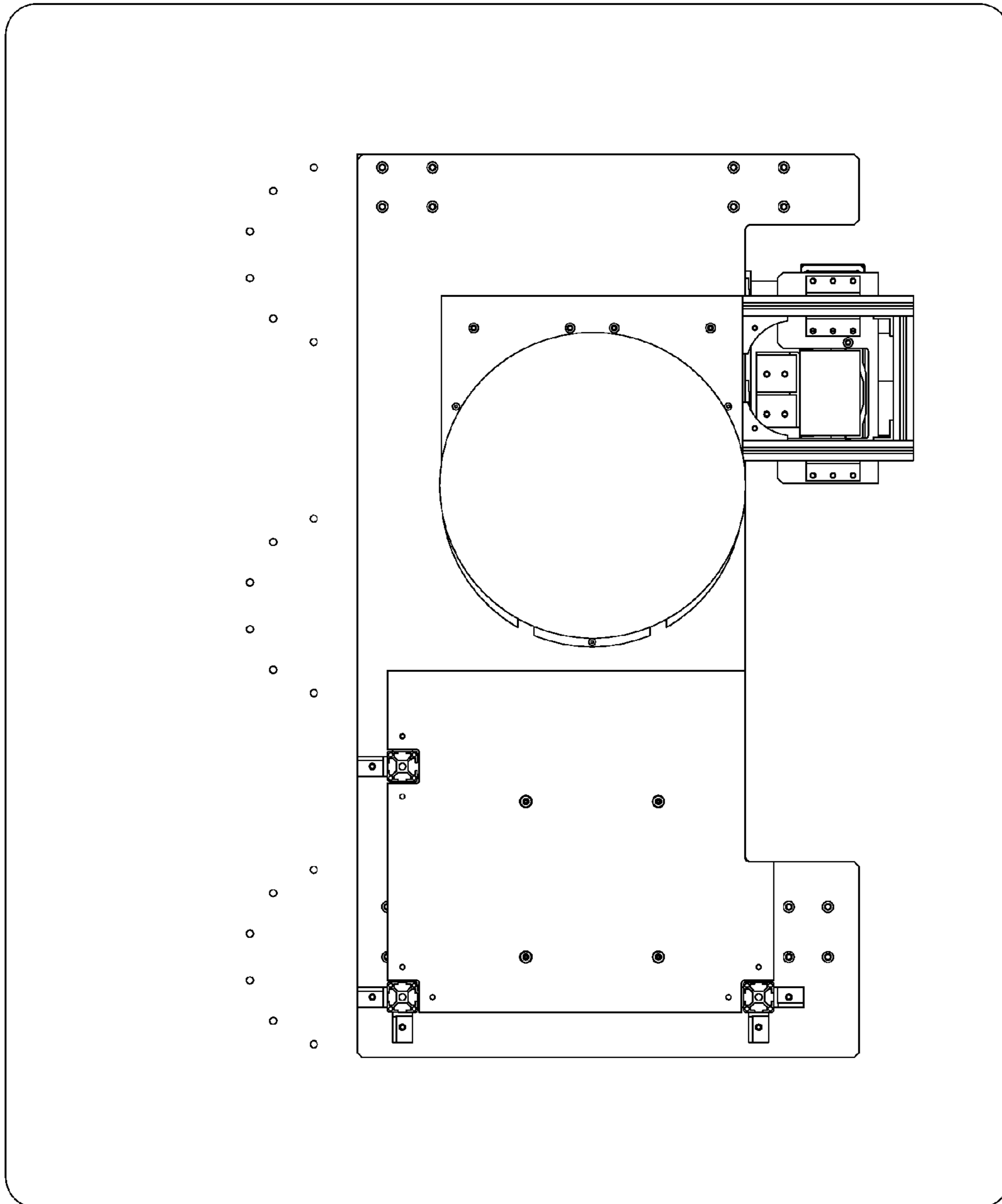


FIG. 6

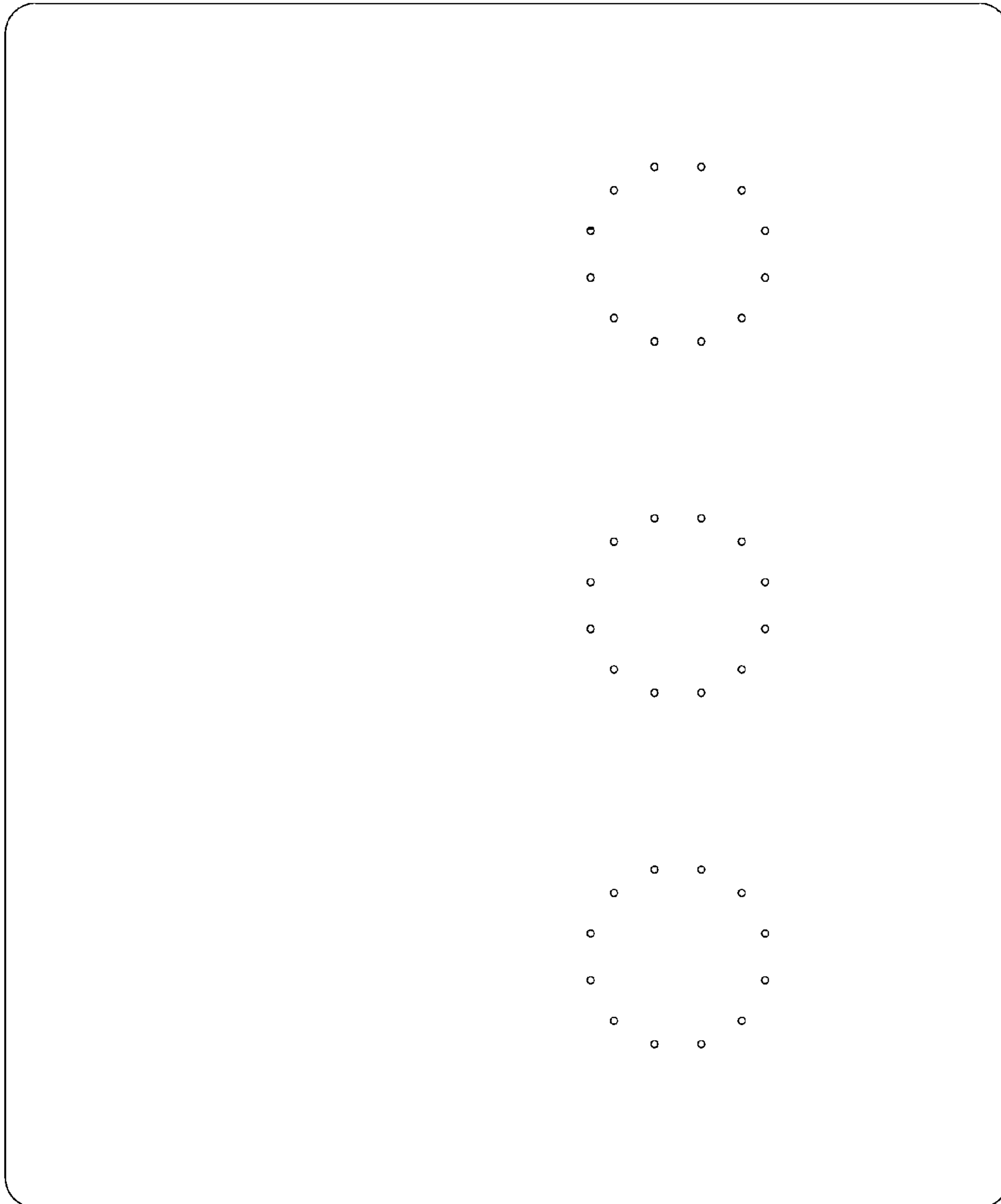


FIG. 7