



US00D594423S

(12) **United States Design Patent**
Glassman et al.

(10) **Patent No.:** **US D594,423 S**
(45) **Date of Patent:** **** Jun. 16, 2009**

(54) **REMOTE CONTROL**

(75) Inventors: **Ellen Tave Glassman**, Closter, NJ (US);
David Farrage, Cliffside Park, NJ (US)

(73) Assignee: **Sears Brands, LLC**, Hoffman Estates,
IL (US)

(**) Term: **14 Years**

(21) Appl. No.: **29/320,998**

(22) Filed: **Jul. 9, 2008**

(51) **LOC (9) Cl.** **14-03**

(52) **U.S. Cl.** **D13/168**

(58) **Field of Classification Search** D13/168;
D10/104, 106; D21/311, 324, 405; 455/352;
341/176; 340/825.22, 825.24, 825.25, 825.31,
340/825.36, 825.69, 825.72; D14/204, 216,
D14/218

See application file for complete search history.

(56) **References Cited**

U.S. PATENT DOCUMENTS

D208,475 S * 9/1967 Wood et al. D13/168
D291,991 S * 9/1987 Lee D14/147
D372,244 S * 7/1996 Yamazaki et al. D14/218
D437,681 S * 2/2001 Weinstock D3/215

D446,554 S * 8/2001 Gautieri et al. D21/405
D447,471 S * 9/2001 Andre et al. D14/216
D506,982 S * 7/2005 Murtaugh et al. D13/168
D541,228 S * 4/2007 Thursfield D13/168
D584,291 S * 1/2009 Tsao D14/218

* cited by examiner

Primary Examiner—Selina Sikder

(74) *Attorney, Agent, or Firm*—Greenberg Traurig LLP

(57) **CLAIM**

What is claimed is the ornamental design for a remote control,
as shown and described.

DESCRIPTION

FIG. 1 is a front perspective view of a remote control showing
our new design;

FIG. 2 is a right side elevational view thereof, the left side
elevational view being a mirror image thereof;

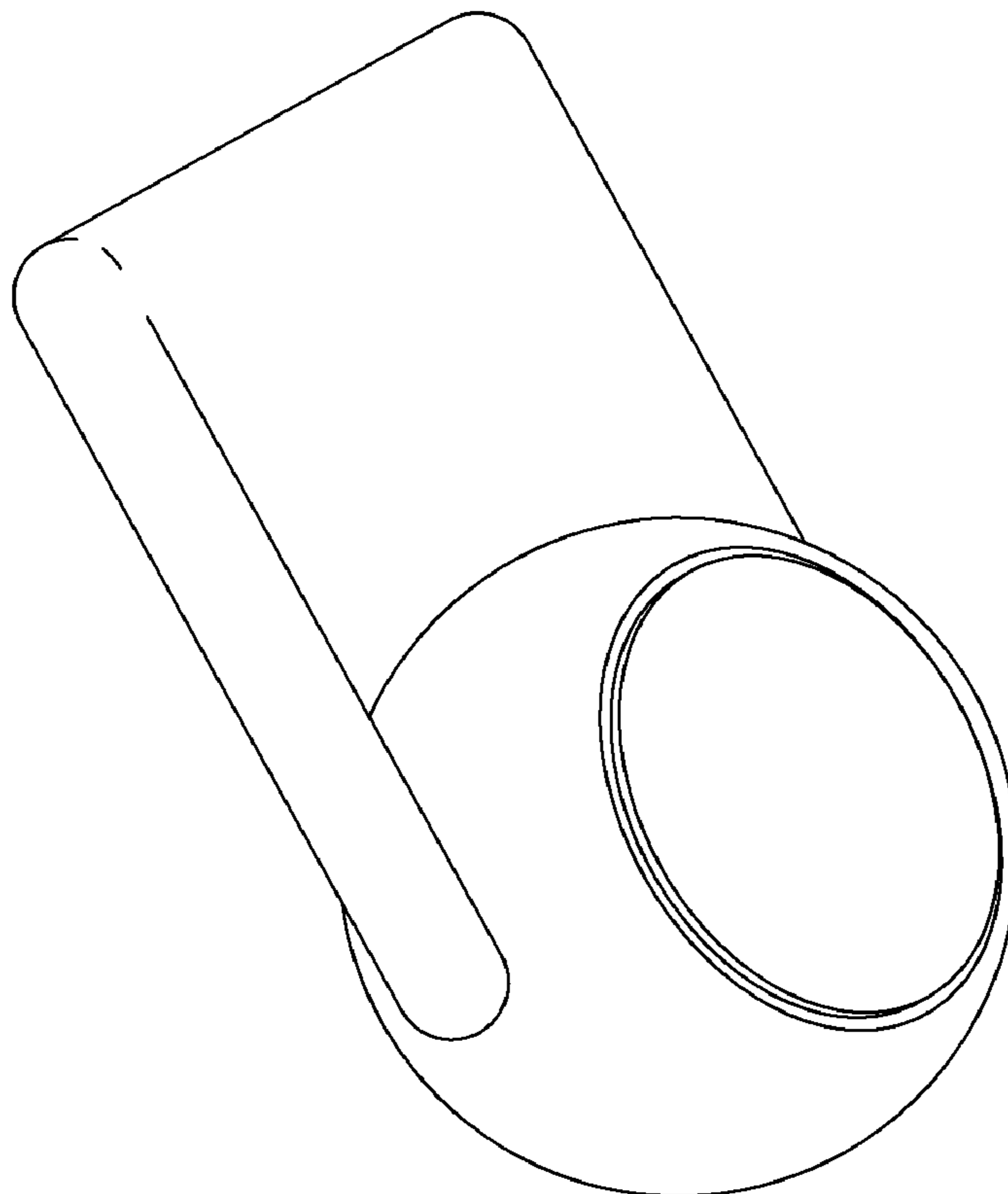
FIG. 3 is a front elevational view thereof;

FIG. 4 is a rear elevational view thereof; and,

FIG. 5 is a top plan view thereof.

The elements shown in dotted lines are provided for illustrative
purposes only and form no part of the design claimed.

1 Claim, 3 Drawing Sheets



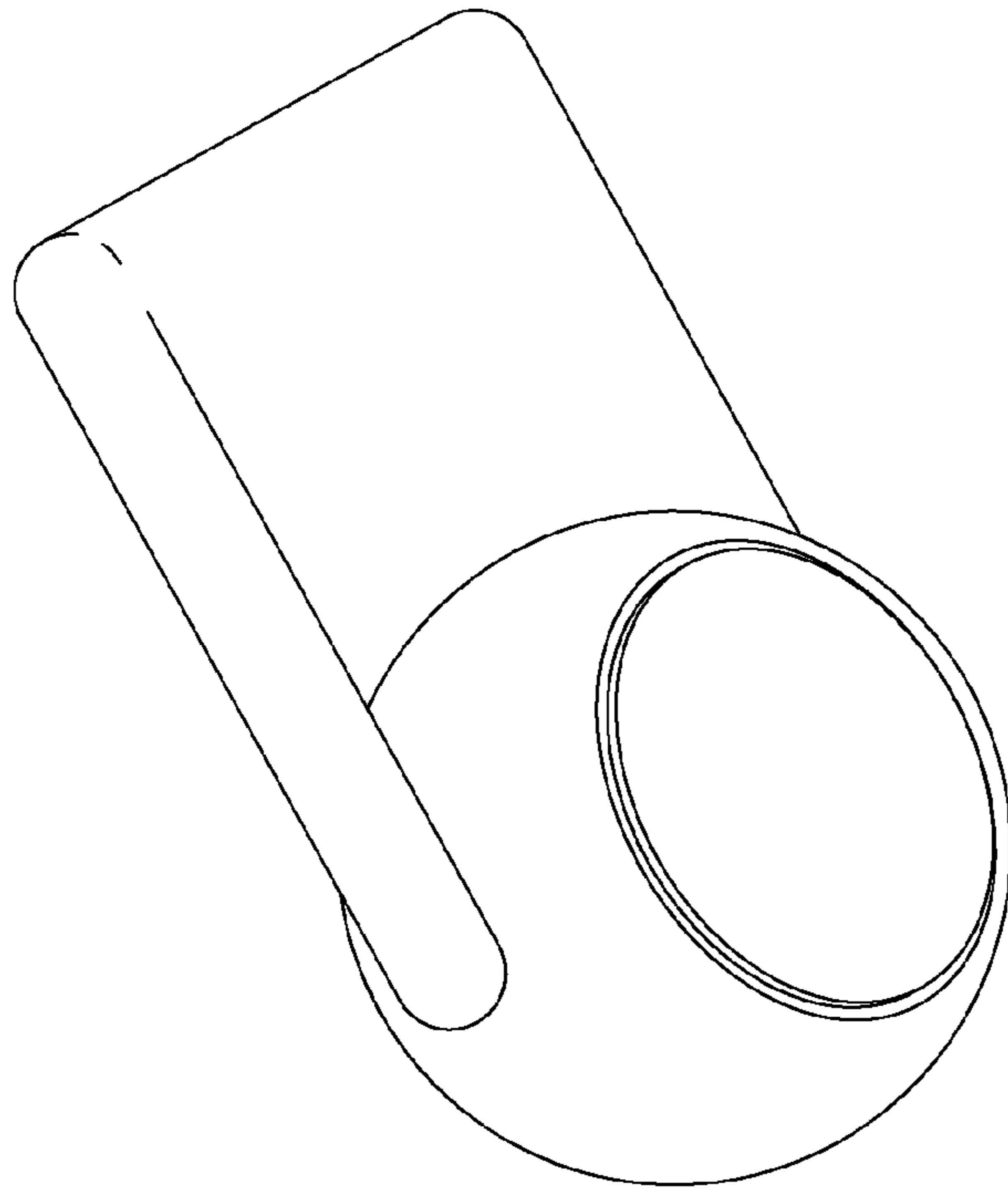


FIG. 1

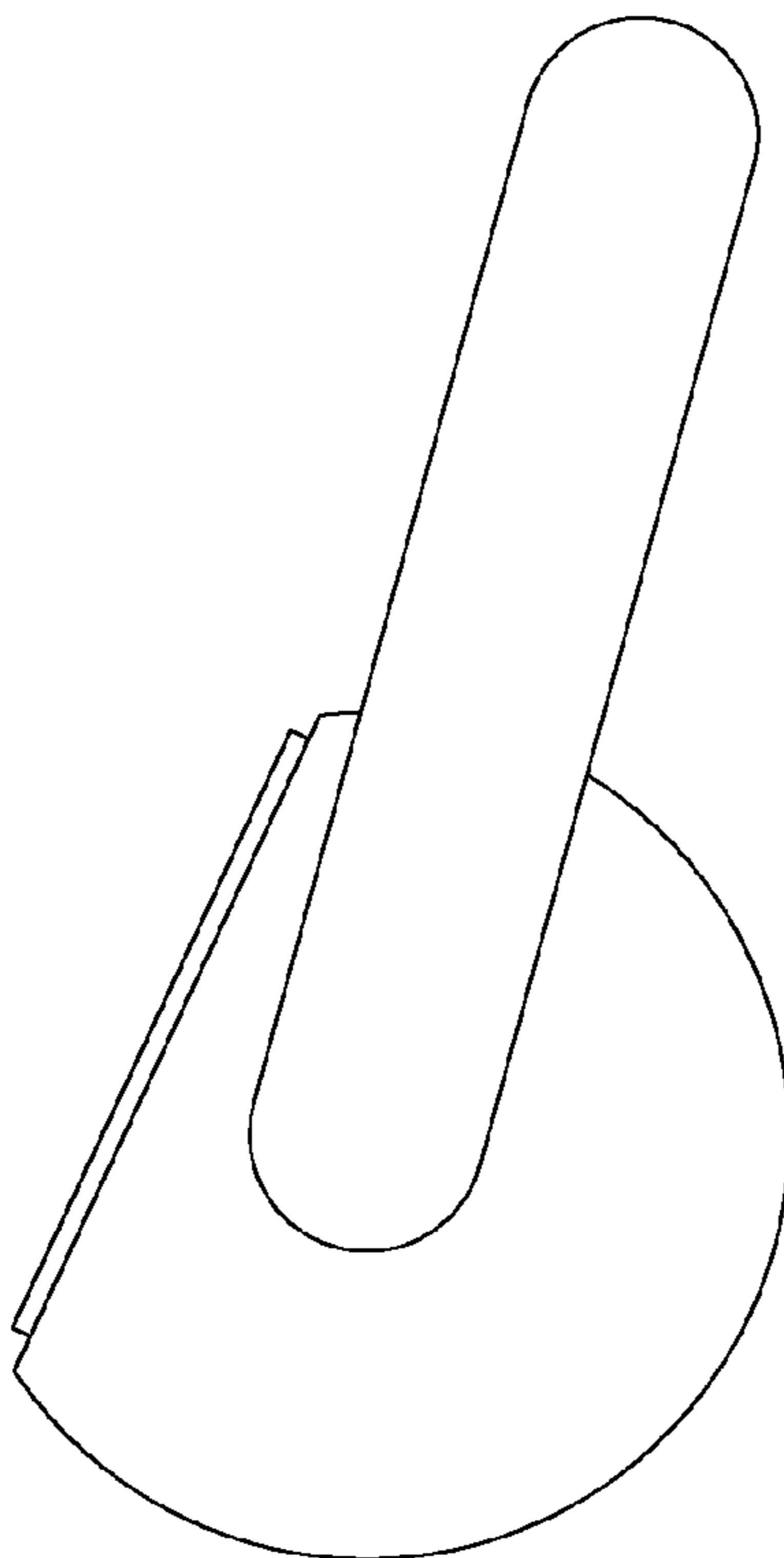


FIG. 2

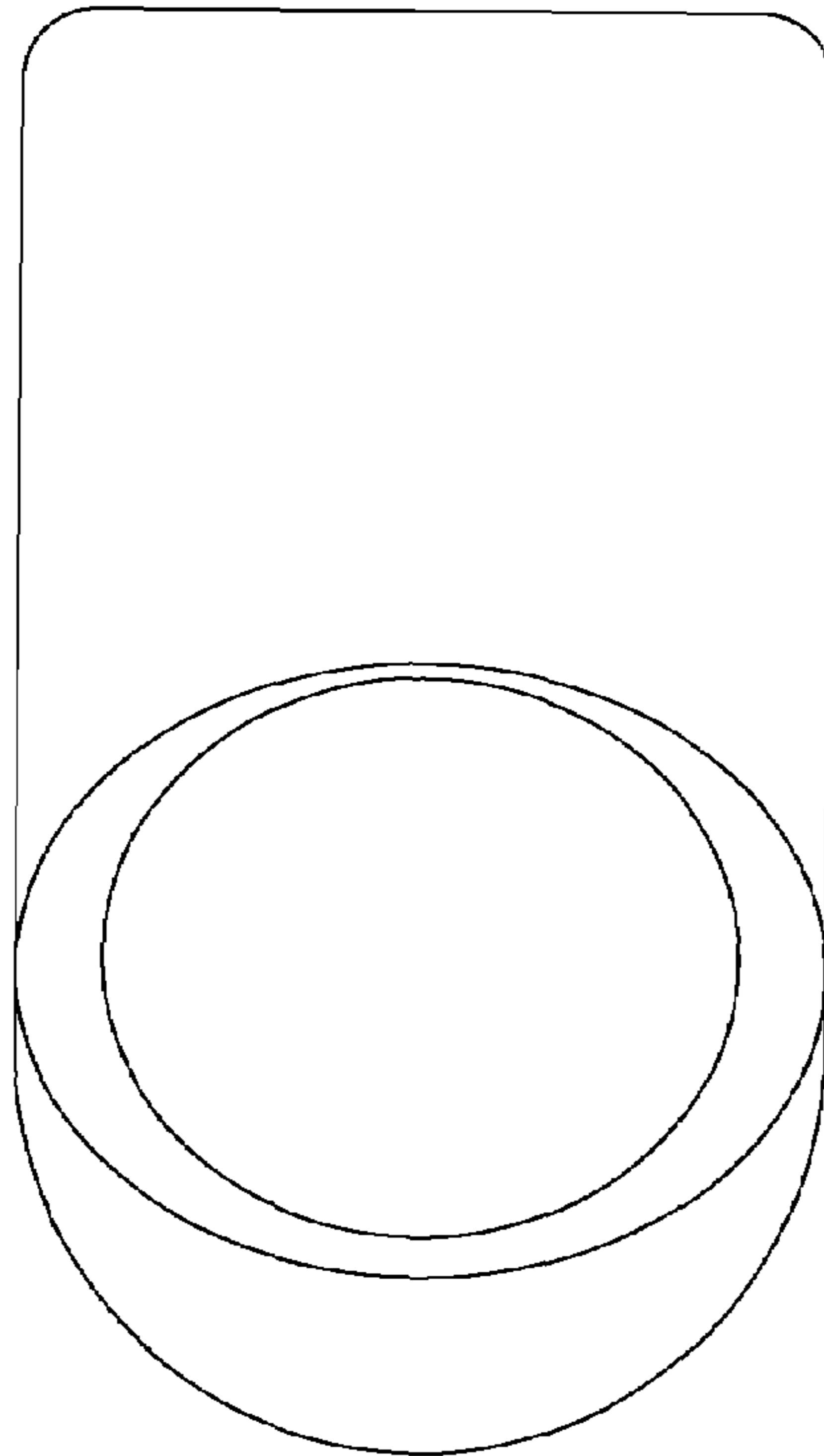


FIG. 3

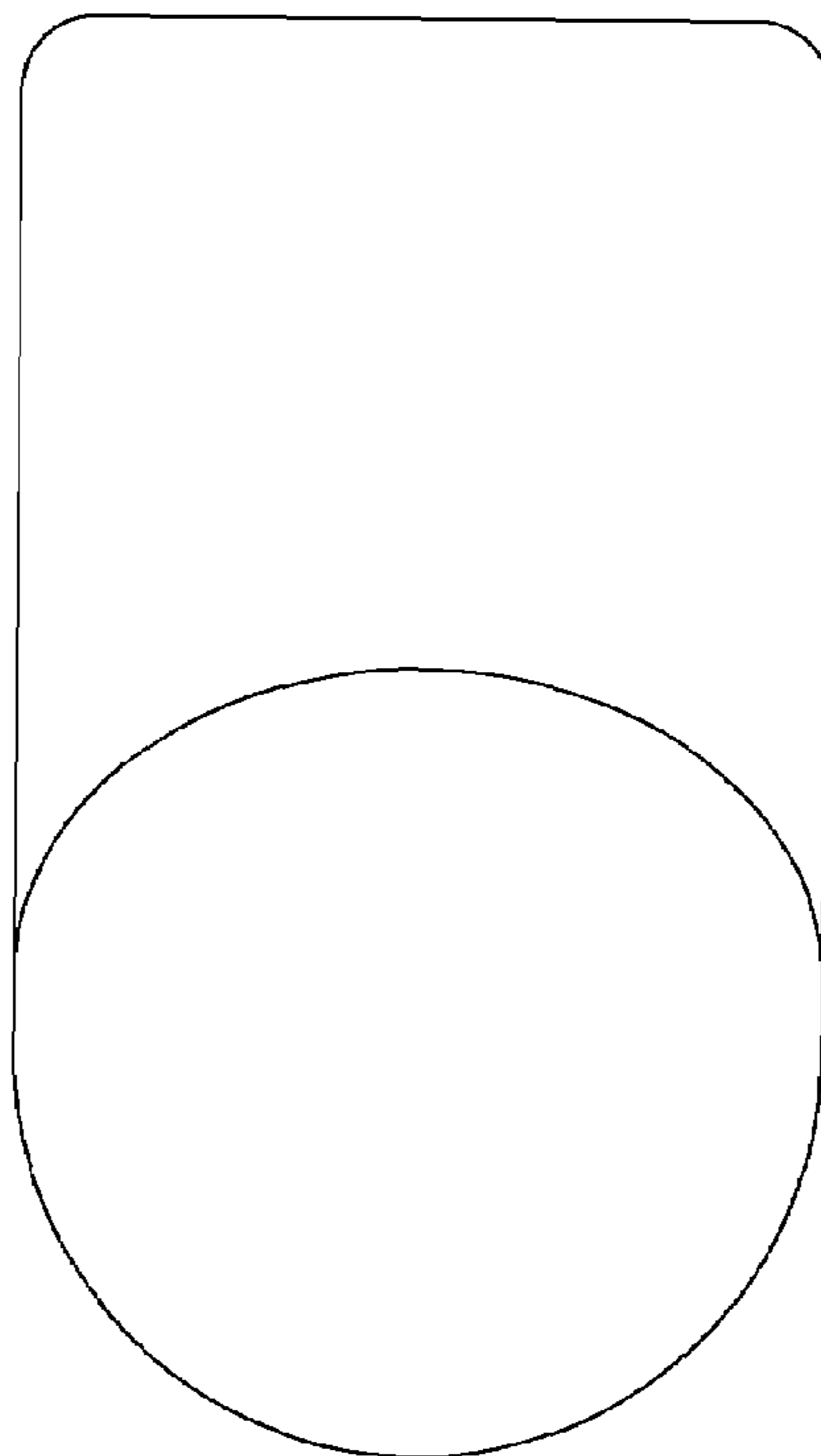


FIG. 4

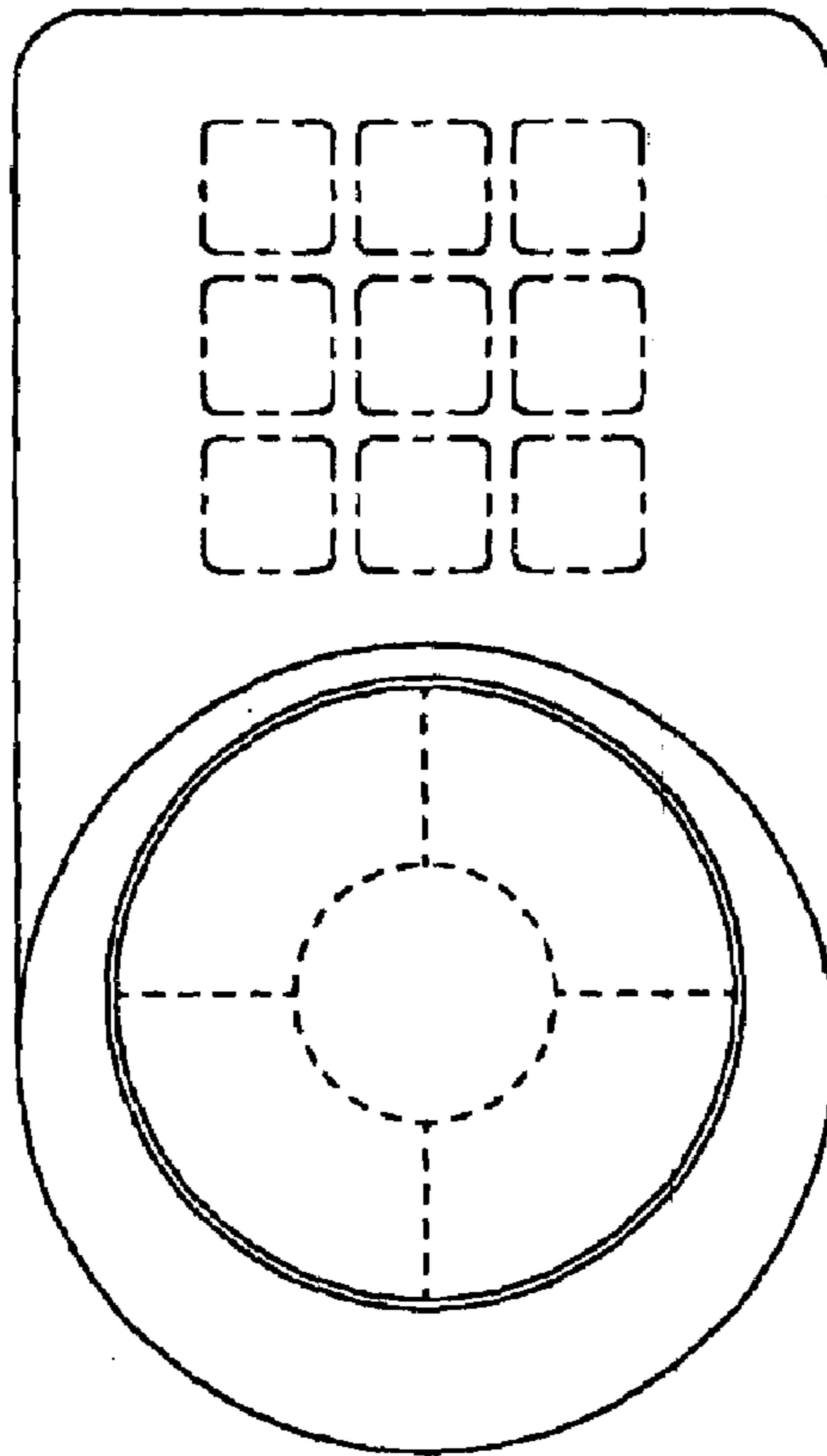


FIG. 5