



US00D594421S

(12) **United States Design Patent**
Lee

(10) **Patent No.:** **US D594,421 S**
(45) **Date of Patent:** **** Jun. 16, 2009**

(54) **CABLE CONNECTOR**

(75) Inventor: **Ching-Hsi Lee**, Taichung (TW)

(73) Assignee: **Cablesat International Co., Ltd.**,
Taichung (TW)

(**) Term: **14 Years**

(21) Appl. No.: **29/318,894**

(22) Filed: **May 30, 2008**

(51) **LOC (9) Cl.** **13-03**

(52) **U.S. Cl.** **D13/156**

(58) **Field of Classification Search** D13/133,
D13/154, 156, 184; D23/255, 262, 269;
4/324-325, 378, 402-404; 285/363, 392-393,
285/387, 415, 104-105, 354; 277/602, 608;
439/447, 483, 578, 586, 606-610, 668-669,
439/675-676, 892

See application file for complete search history.

(56) **References Cited**

U.S. PATENT DOCUMENTS

5,183,411 A * 2/1993 Yu 439/578

D543,154 S * 5/2007 Suckle et al. D13/154
D549,174 S * 8/2007 Lee et al. D13/154
D570,789 S * 6/2008 Lee et al. D13/156
D575,744 S * 8/2008 Amidon D13/156

* cited by examiner

Primary Examiner—Brian N Vinson

(74) *Attorney, Agent, or Firm*—Browdy and Neimark,
P.L.L.C.

(57) **CLAIM**

The ornamental design for a cable connector, as shown.

DESCRIPTION

FIG. 1 shows a perspective view of a cable connector showing the present design;

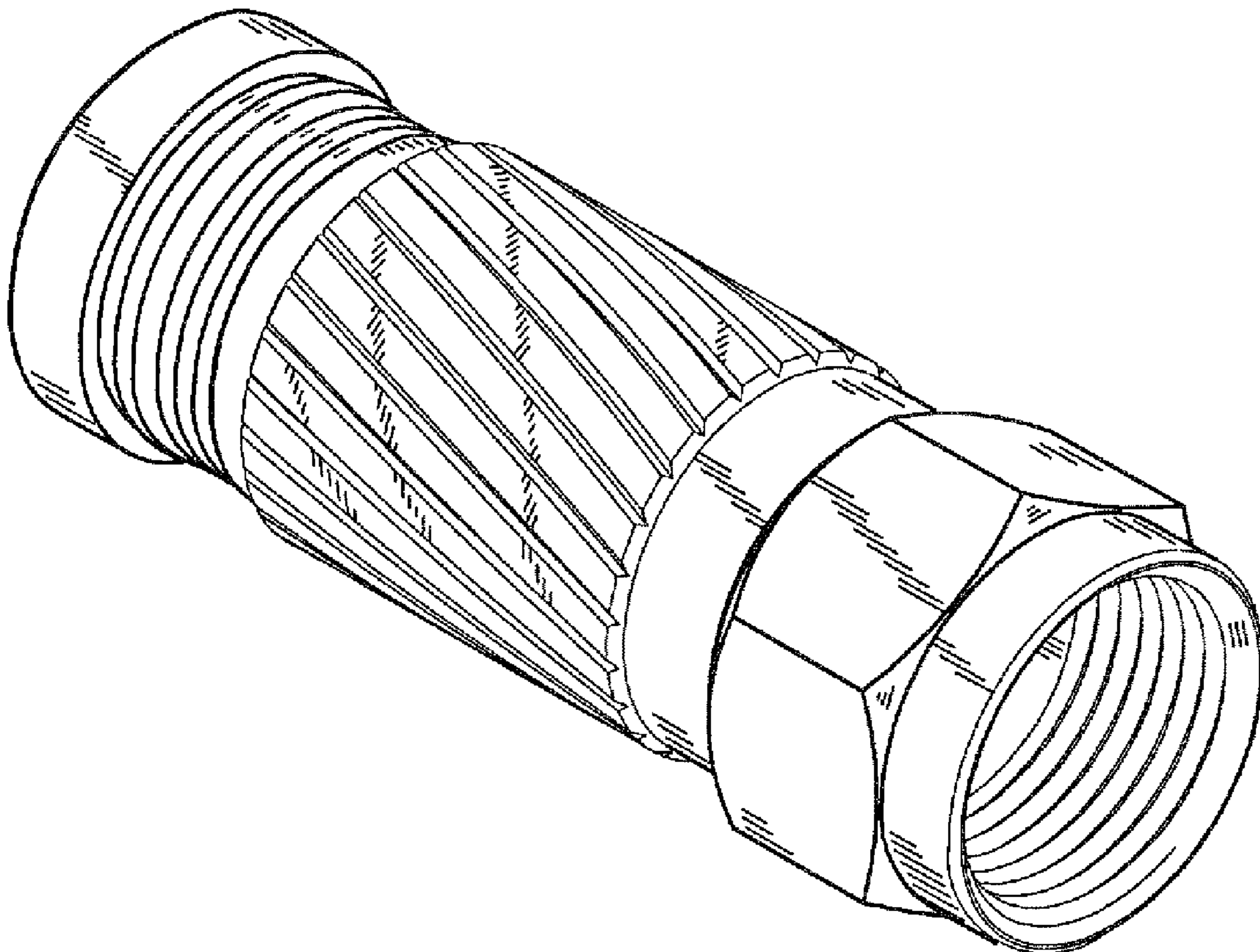
FIG. 2 shows a top plan view thereof;

FIG. 3 shows a left side elevational view thereof;

FIG. 4 shows a front elevational view thereof; and,

FIG. 5 shows a right side elevational view thereof.

1 Claim, 2 Drawing Sheets



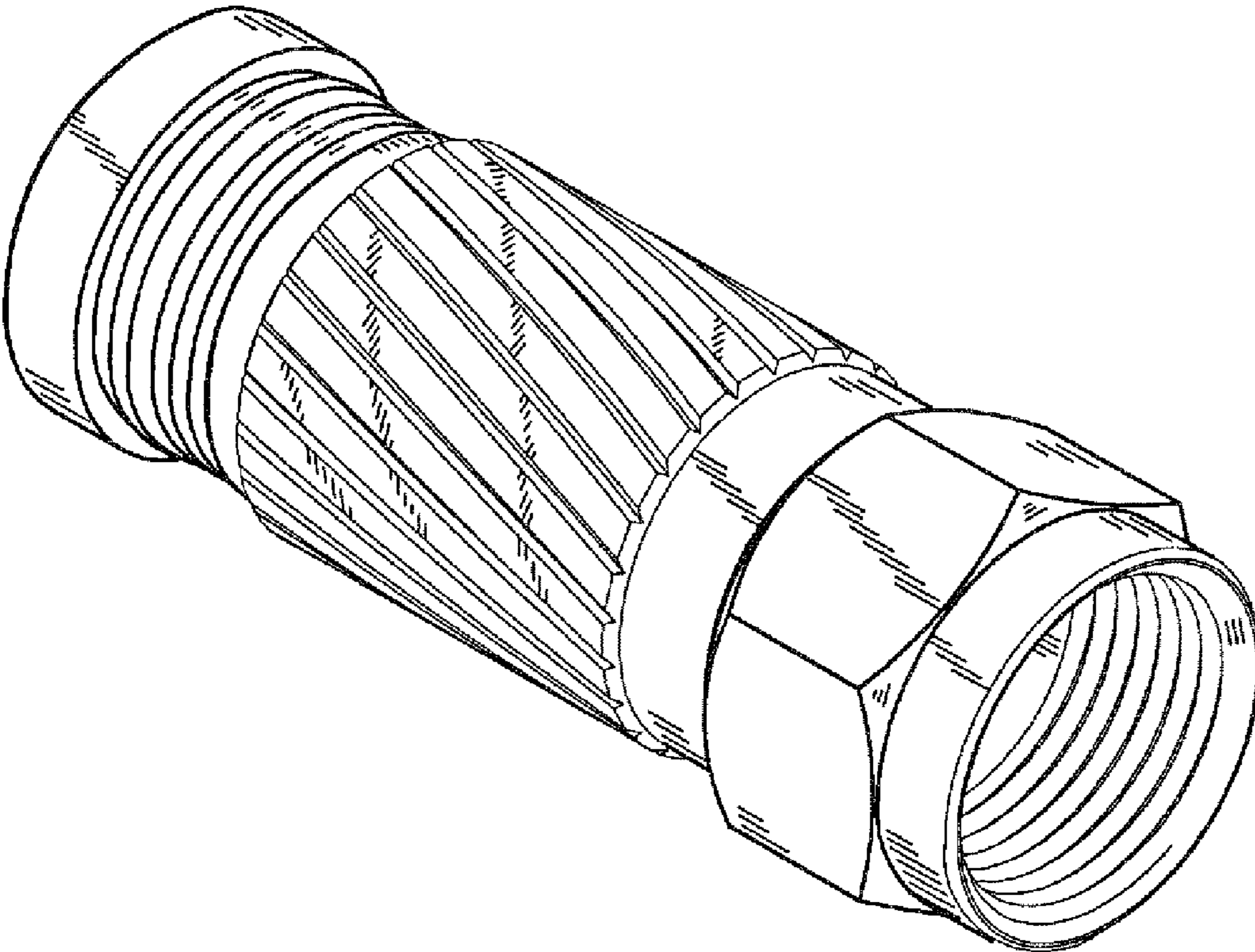


FIG. 1

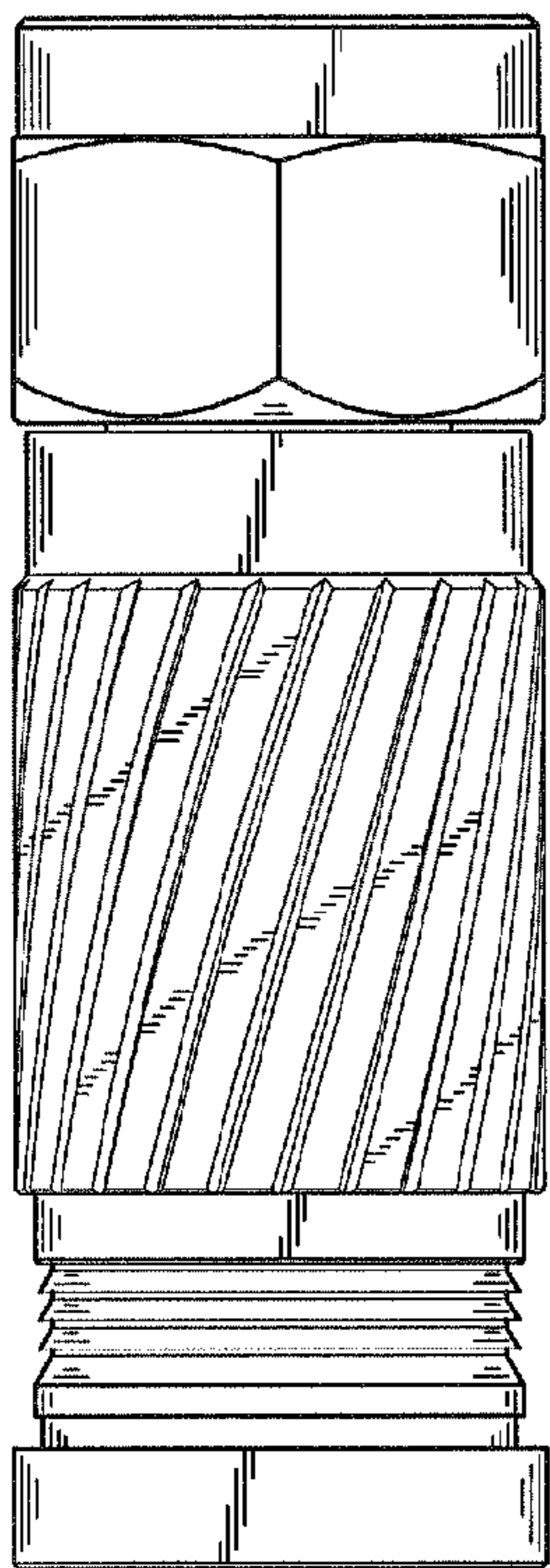


FIG. 2

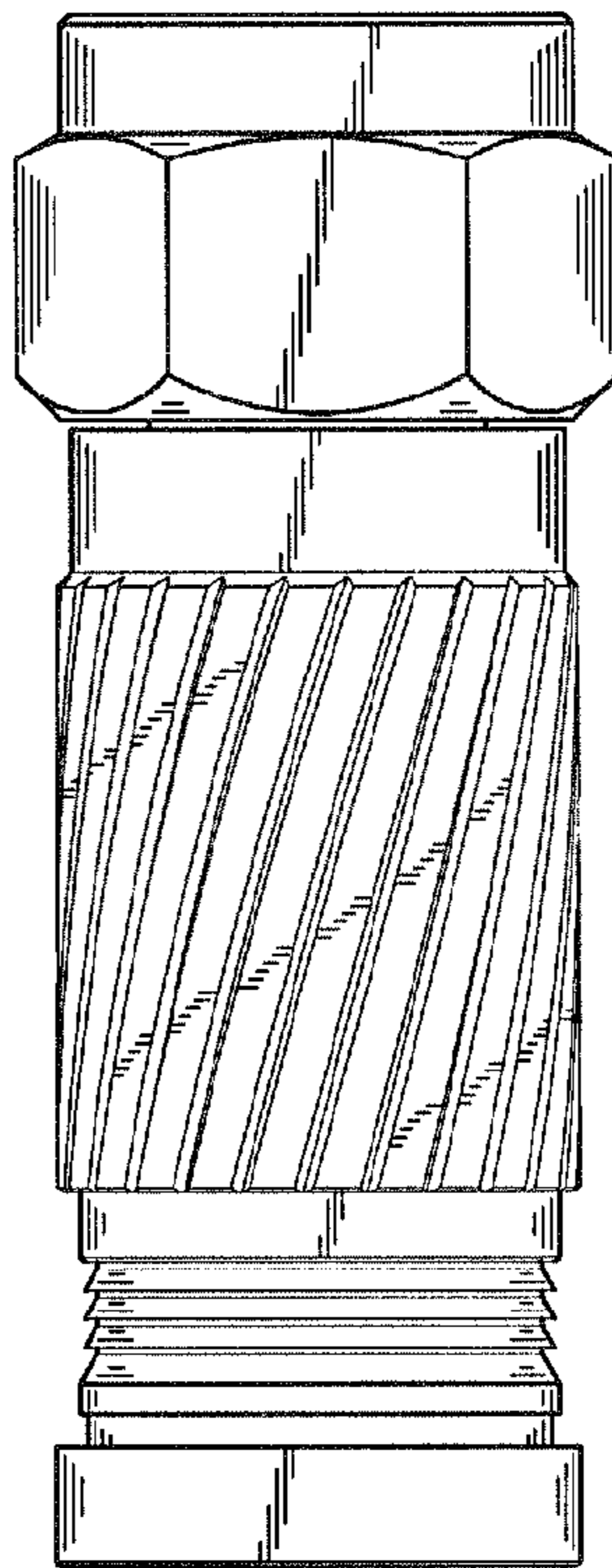


FIG. 4

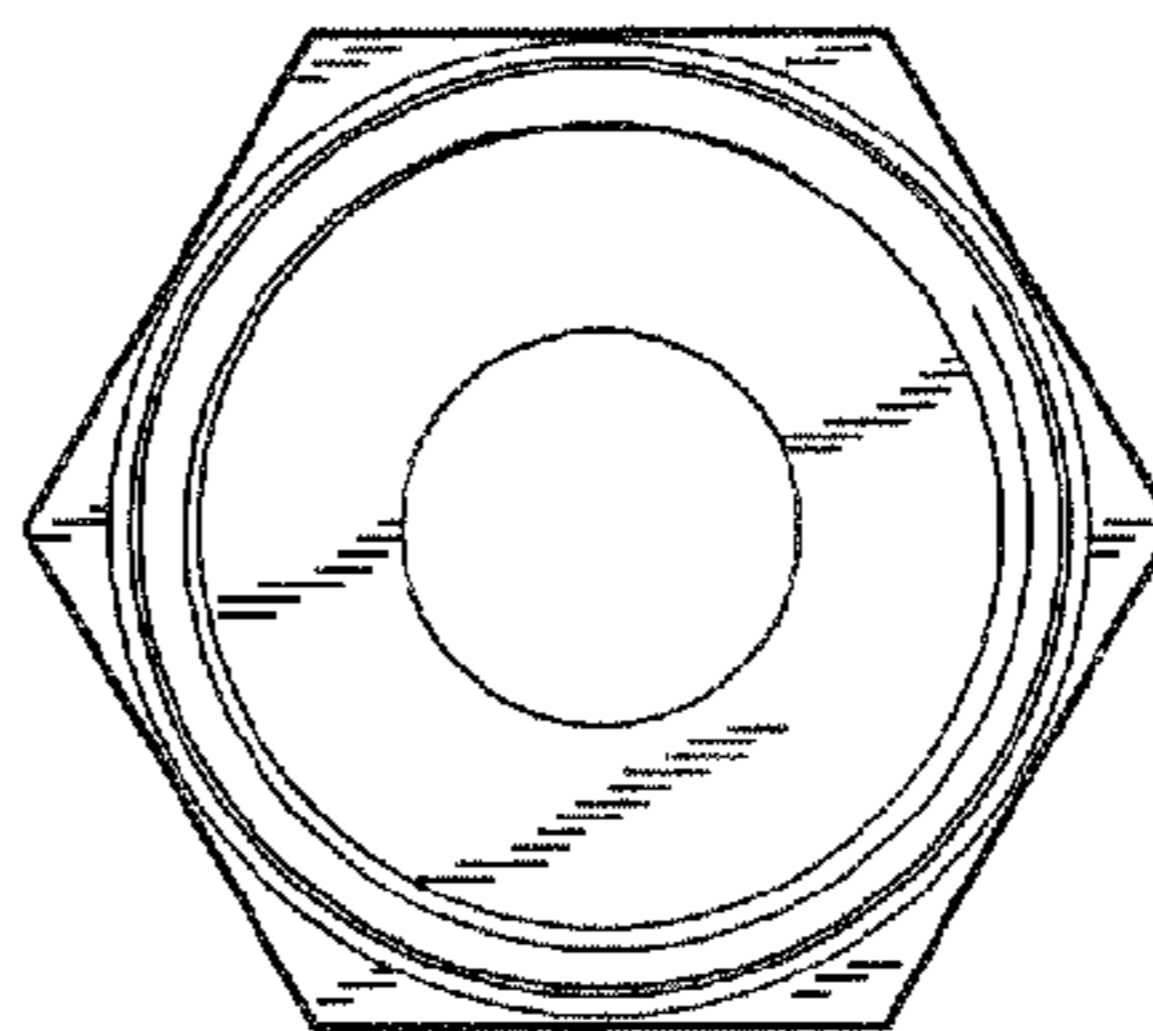


FIG. 5

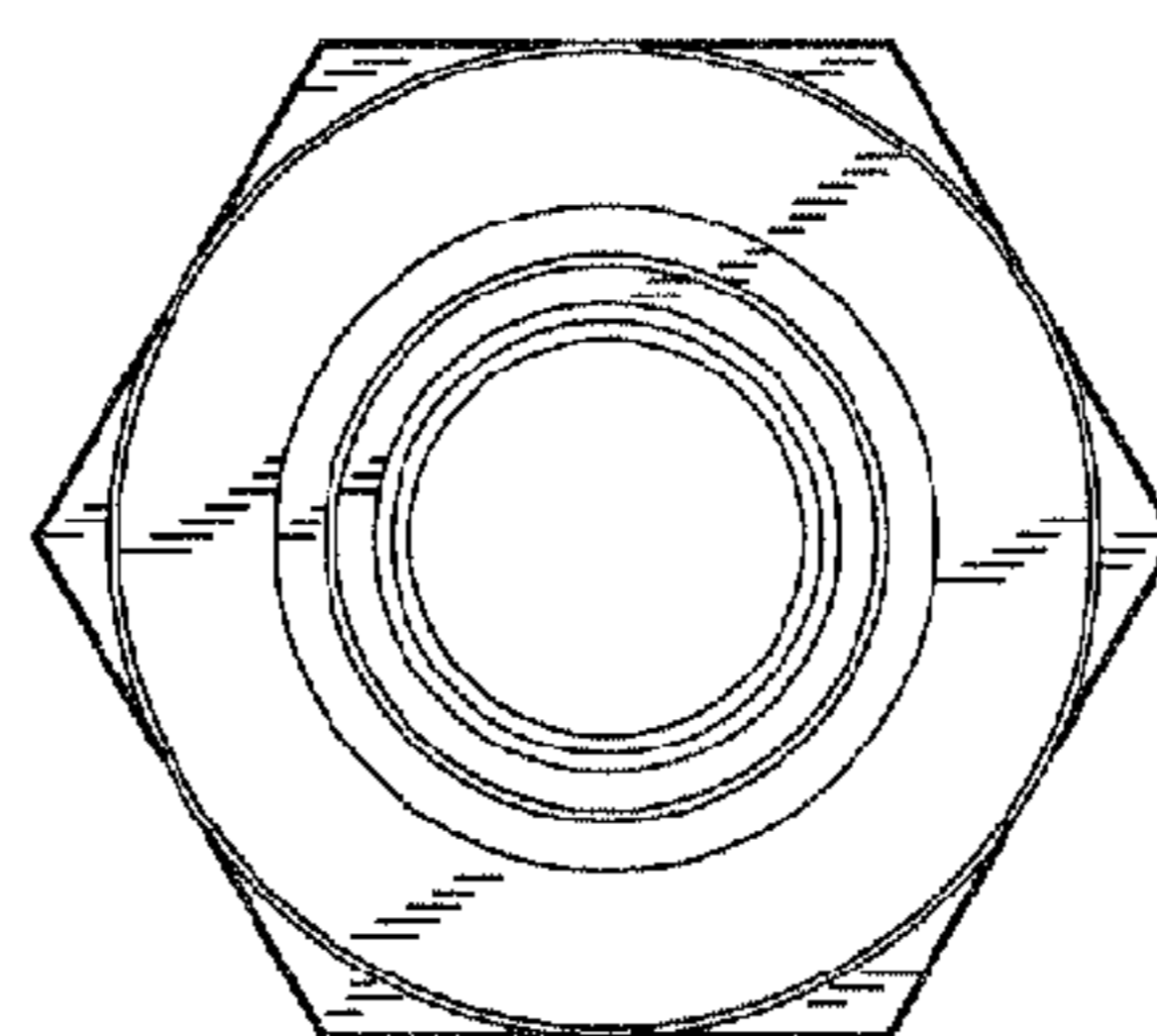


FIG. 3