



US00D594419S

(12) **United States Design Patent**
Yoon

(10) **Patent No.:** **US D594,419 S**
(45) **Date of Patent:** **** Jun. 16, 2009**

(54) **TERMINAL**

(76) Inventor: **Heung-Sik Yoon**, 107-304, Samusung Apt., 437, Changjeon-dong, Mapo-ku, Seoul (KR)

(**) Term: **14 Years**

(21) Appl. No.: **29/290,978**

(22) Filed: **Feb. 5, 2008**

(51) **LOC (9) Cl.** **13-03**

(52) **U.S. Cl.** **D13/147**

(58) **Field of Classification Search** D13/123, D13/133, 147, 154, 184, 199; 439/344, 538, 439/535, 536, 540.1, 571, 573, 638, 650, 439/676; D14/140, 217, 240, 256, 299, 356
See application file for complete search history.

(56) **References Cited**

U.S. PATENT DOCUMENTS

D364,383	S	*	11/1995	Yamada et al.	D13/182
D364,384	S	*	11/1995	Shimizu et al.	D13/182
5,700,986	A	*	12/1997	Rurup et al.	200/50.32
5,726,619	A	*	3/1998	Hohorst et al.	336/192
D444,127	S	*	6/2001	Wong	D13/146
D471,866	S	*	3/2003	Yano et al.	D13/147
D570,783	S	*	6/2008	So	D13/147
D574,329	S	*	8/2008	So	D13/147
D578,066	S	*	10/2008	So	D13/147

* cited by examiner

Primary Examiner—Daniel D Bui

Assistant Examiner—Thomas J Johannes

(74) *Attorney, Agent, or Firm*—Robert E. Bushnell, Esq.

(57) **CLAIM**

The ornamental design for a terminal, as shown and described.

DESCRIPTION

This design is installed and used to the surface of a wall of the inside/outside of a house or the inside of a switch box of various machines.

FIG. 1 is top, front and right side oblique view of a terminal showing my new design;

FIG. 2 is a front elevational view thereof;

FIG. 3 is a rear elevational view thereof;

FIG. 4 is a left side elevational view thereof;

FIG. 5 is a right side elevational view thereof;

FIG. 6 is a top plan view thereof; and,

FIG. 7 is a bottom plan view thereof.

The broken line portions of FIGS. 1, 2, 3 and 5 are included to show unclaimed internal subject matter only and form no part of the claimed design.

1 Claim, 4 Drawing Sheets

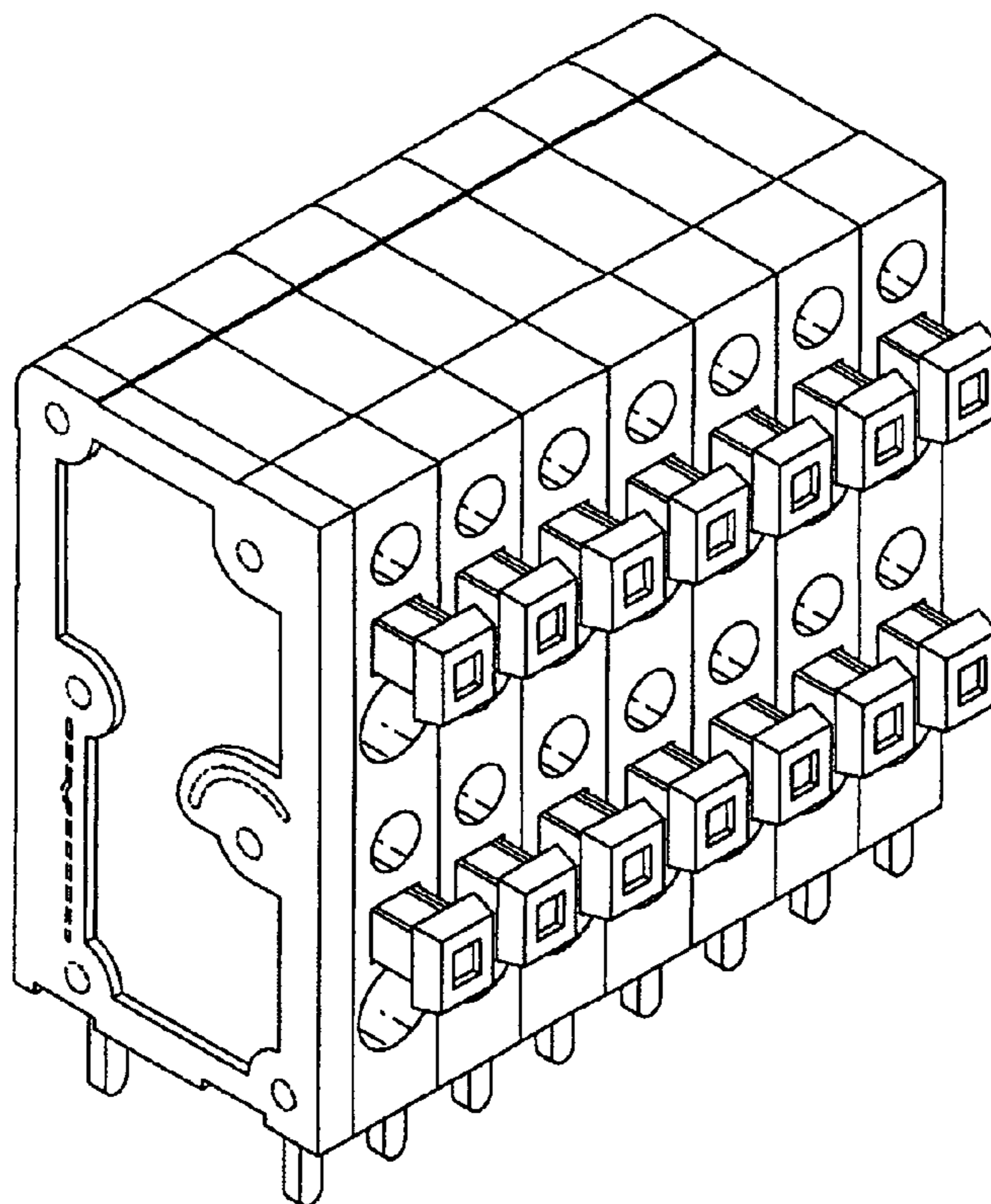


Fig. 1

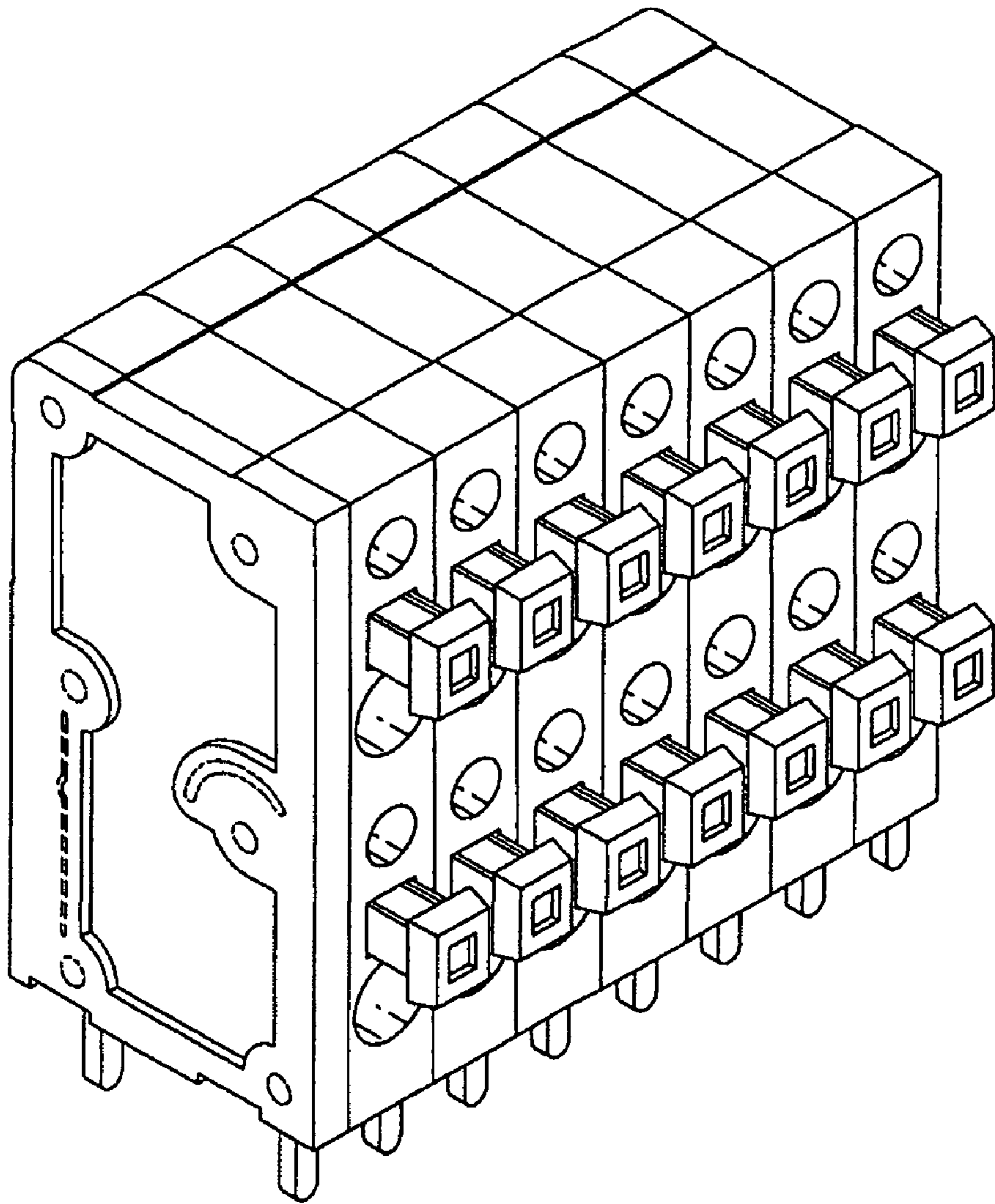


Fig. 2

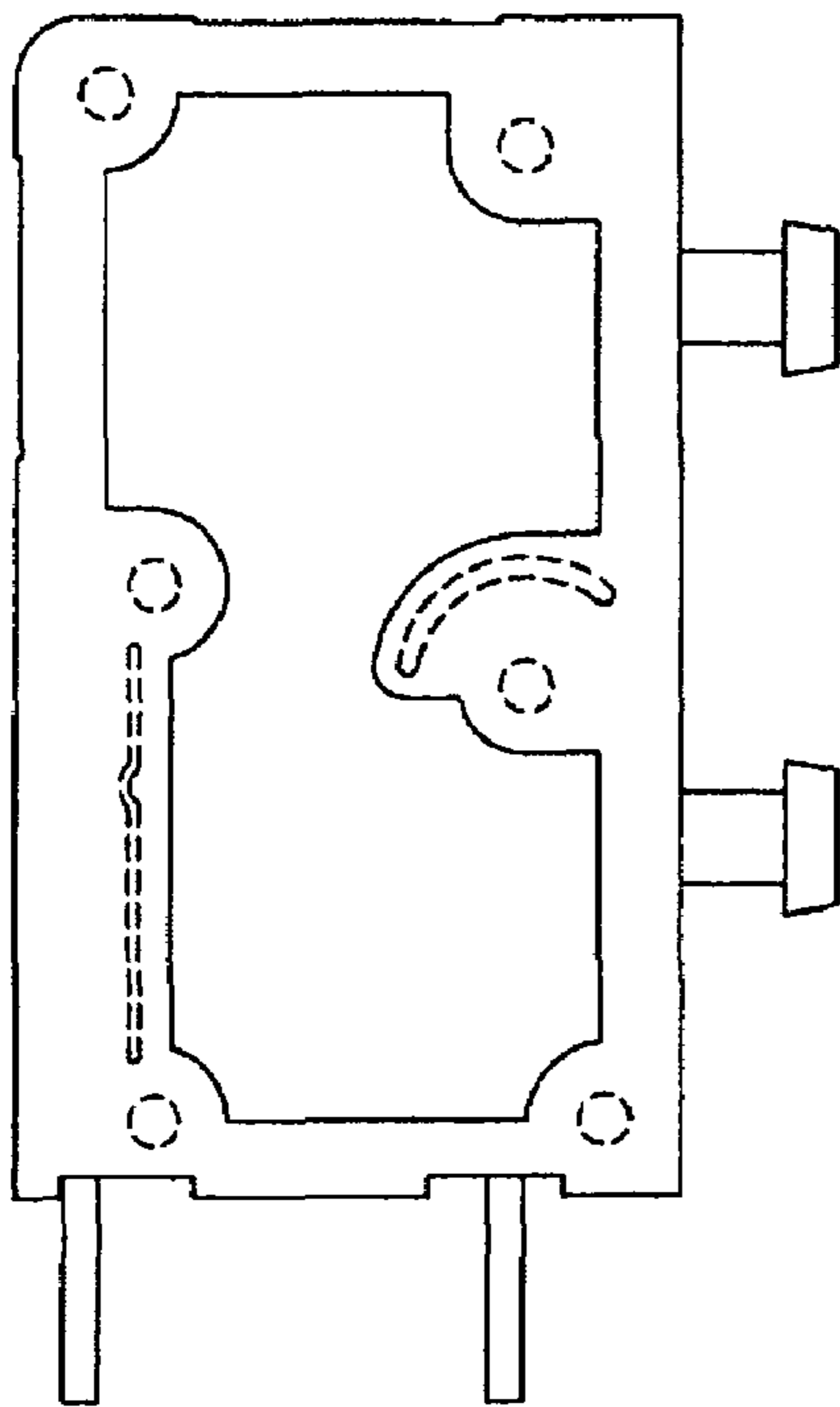


Fig. 3

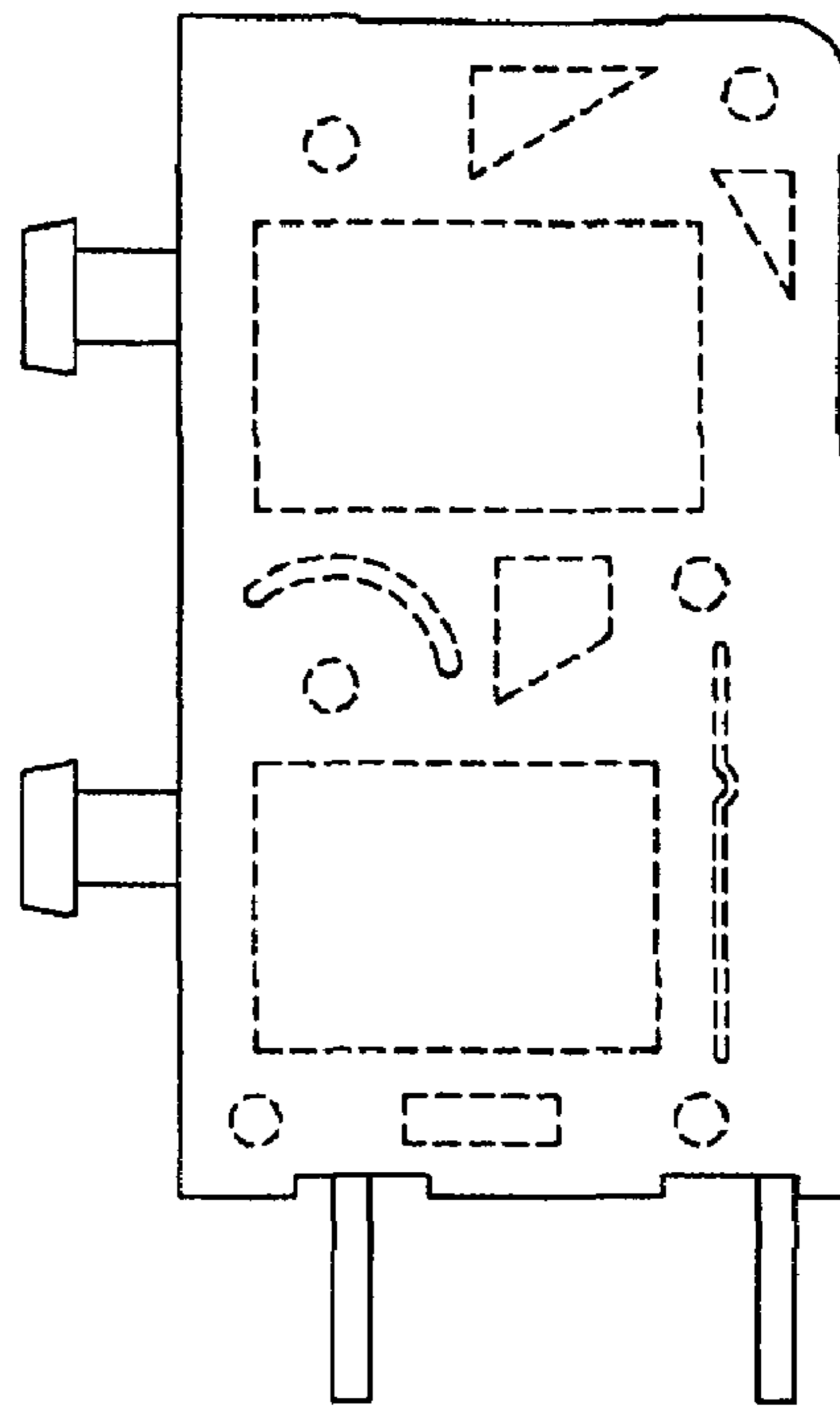


Fig. 4

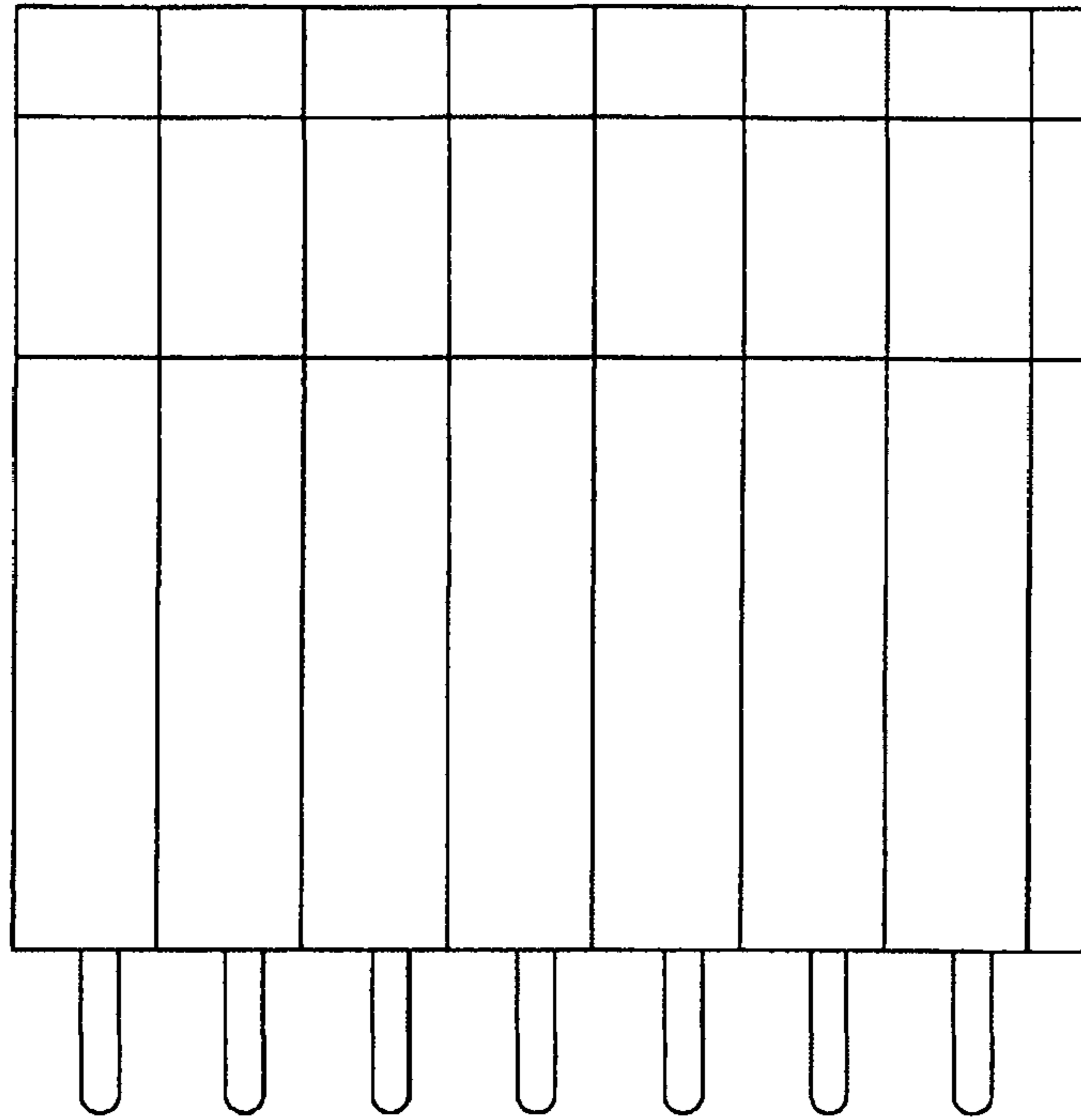


Fig. 5

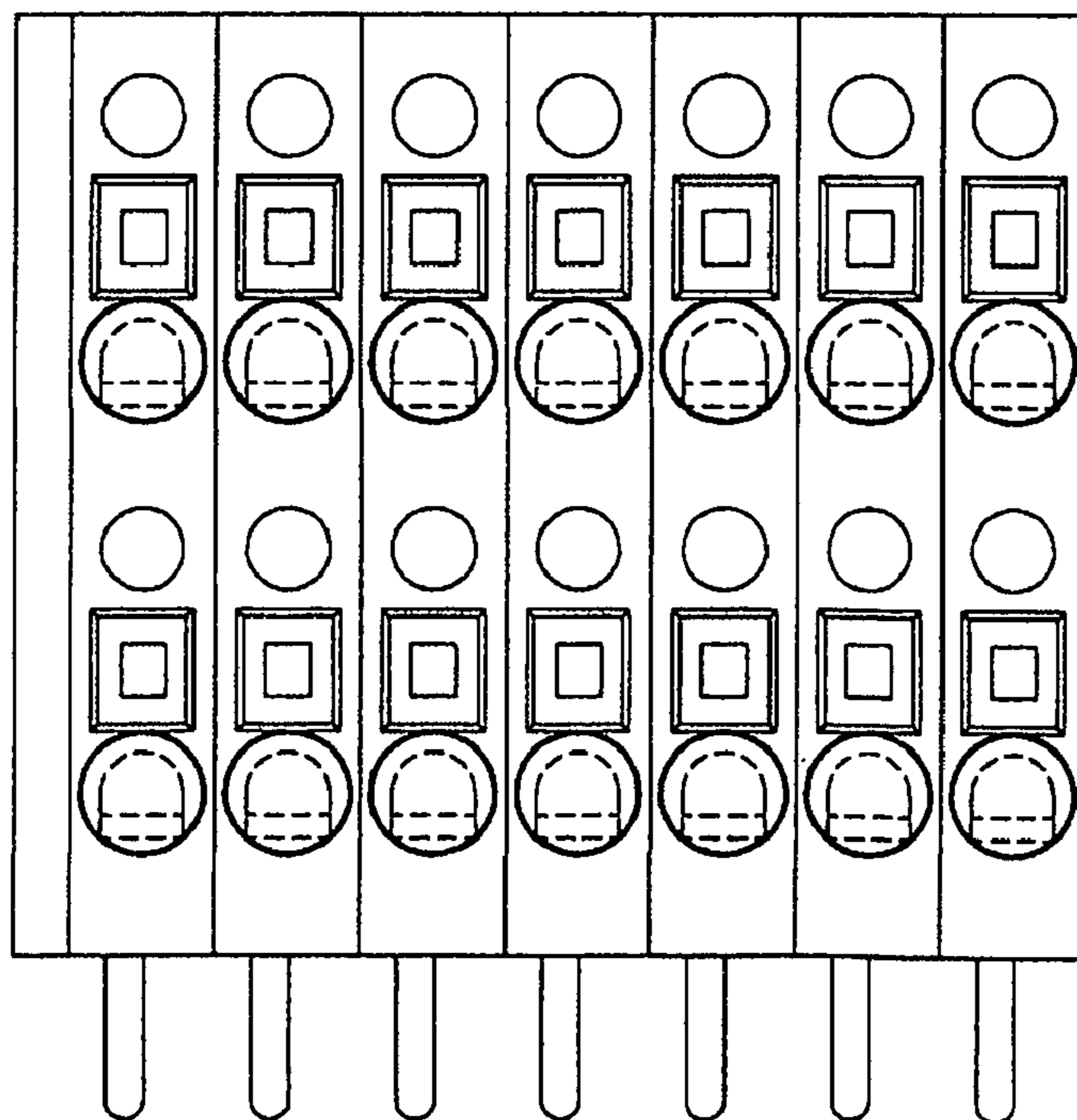


Fig. 6

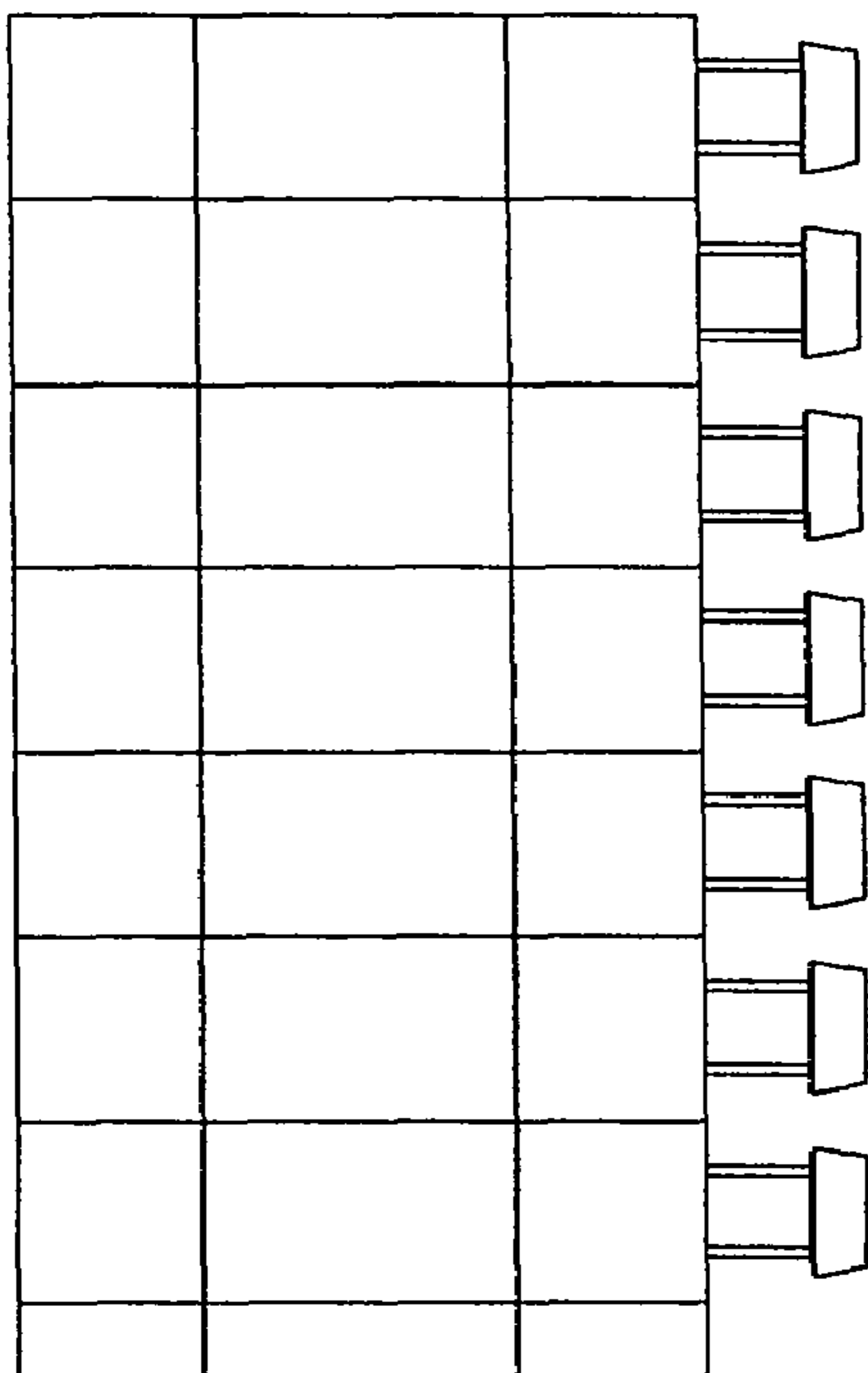


Fig. 7

