



US00D594417S

(12) **United States Design Patent**
Ho'o et al.

(10) **Patent No.:** **US D594,417 S**
(45) **Date of Patent:** **** Jun. 16, 2009**

(54) **ELECTRICAL POWER CORD ADAPTER**

(75) Inventors: **Galen Ho'o**, Pasadena, CA (US); **Carl E. Tom**, Monterey Park, CA (US); **Kane Dong**, Shenzhen (CN)

(73) Assignee: **Gehr Industries, Inc.**, Los Angeles, CA (US)

(**) Term: **14 Years**

(21) Appl. No.: **29/303,326**

(22) Filed: **Feb. 6, 2008**

(51) **LOC (9) Cl.** **13-03**

(52) **U.S. Cl.** **D13/138.1**

(58) **Field of Classification Search** D13/139.1, D13/139.2, 139.3, 139.4, 139.5, 139.6, 139.7, D13/139.8, 138.1, 138.2, 123, 133, 137.1, D13/137.2, 184, 137.3, 137.4, 124, 160, 162, D13/164, 178, 154, 156, 107, 110; D14/433, D14/256; D8/350, 353; 174/53, 55, 56, 174/59, 66, 494, 153 G, 152 G, 154, 167, 174/168, 650, 656; 439/101, 105, 43, 53, 439/374, 894, 46, 55, 63, 92, 93, 95, 102, 439/106, 107, 108, 135, 149, 222, 266, 285, 439/291, 300, 344, 373, 535, 620.21, 638, 439/660, 907, 650, 651, 652, 653, 654

See application file for complete search history.

(56) **References Cited**

U.S. PATENT DOCUMENTS

D270,628	S	*	9/1983	Bobrovniczky	D13/138.2
D355,408	S	*	2/1995	Geis et al.	D13/138.1
D360,401	S	*	7/1995	Chen	D13/138.1
5,551,882	A	*	9/1996	Whiteman et al.	439/21
D375,291	S	*	11/1996	Cheung	D13/138.2
D375,720	S	*	11/1996	Cheung	D13/138.2
D379,964	S	*	6/1997	Maddock et al.	D13/138.1
5,679,014	A		10/1997	Lan-Jen		
D421,960	S	*	3/2000	Savicki et al.	D13/138.2
6,089,924	A		7/2000	Wang		
D430,848	S	*	9/2000	Davi et al.	D13/138.1

6,808,401	B2		10/2004	Guzeldereli et al.		
6,984,153	B2	*	1/2006	Lai et al.	439/640
6,986,665	B2	*	1/2006	Schauz et al.	439/21
7,052,309	B1		5/2006	Chen		
7,063,558	B1		6/2006	Chen		
7,232,322	B1	*	6/2007	Yen et al.	439/222
D549,651	S	*	8/2007	Mancari et al.	D13/138.2

FOREIGN PATENT DOCUMENTS

WO WO 95/15597 A1 6/1995

* cited by examiner

Primary Examiner—Jennifer Rivard

Assistant Examiner—Angela J Lee

(74) *Attorney, Agent, or Firm*—Christie, Parker & Hale, LLP.

(57) **CLAIM**

The ornamental design for electrical power cord adapter, as shown and described.

DESCRIPTION

FIG. 1 is a perspective view showing a first embodiment of an electrical power cord adapter, with a handle portion thereof in a first position.

FIG. 2 is a top plan view of the design shown in FIG. 1.

FIG. 3 is an elevational view taken from the right side of FIG. 1.

FIG. 4 is a front elevational view taken from the left side of FIG. 3.

FIG. 5 is a rear elevational view taken from the right side of FIG. 3.

FIG. 6 is a bottom plan view of the design shown in FIG. 1.

FIG. 7 is a perspective view of the design shown in FIG. 1, with the handle portion thereof in a second position.

FIG. 8 is a top plan view of the design shown in FIG. 7.

FIG. 9 is an elevational view taken from the right side of FIG. 7.

FIG. 10 is a front elevational view taken from the left side of FIG. 9.

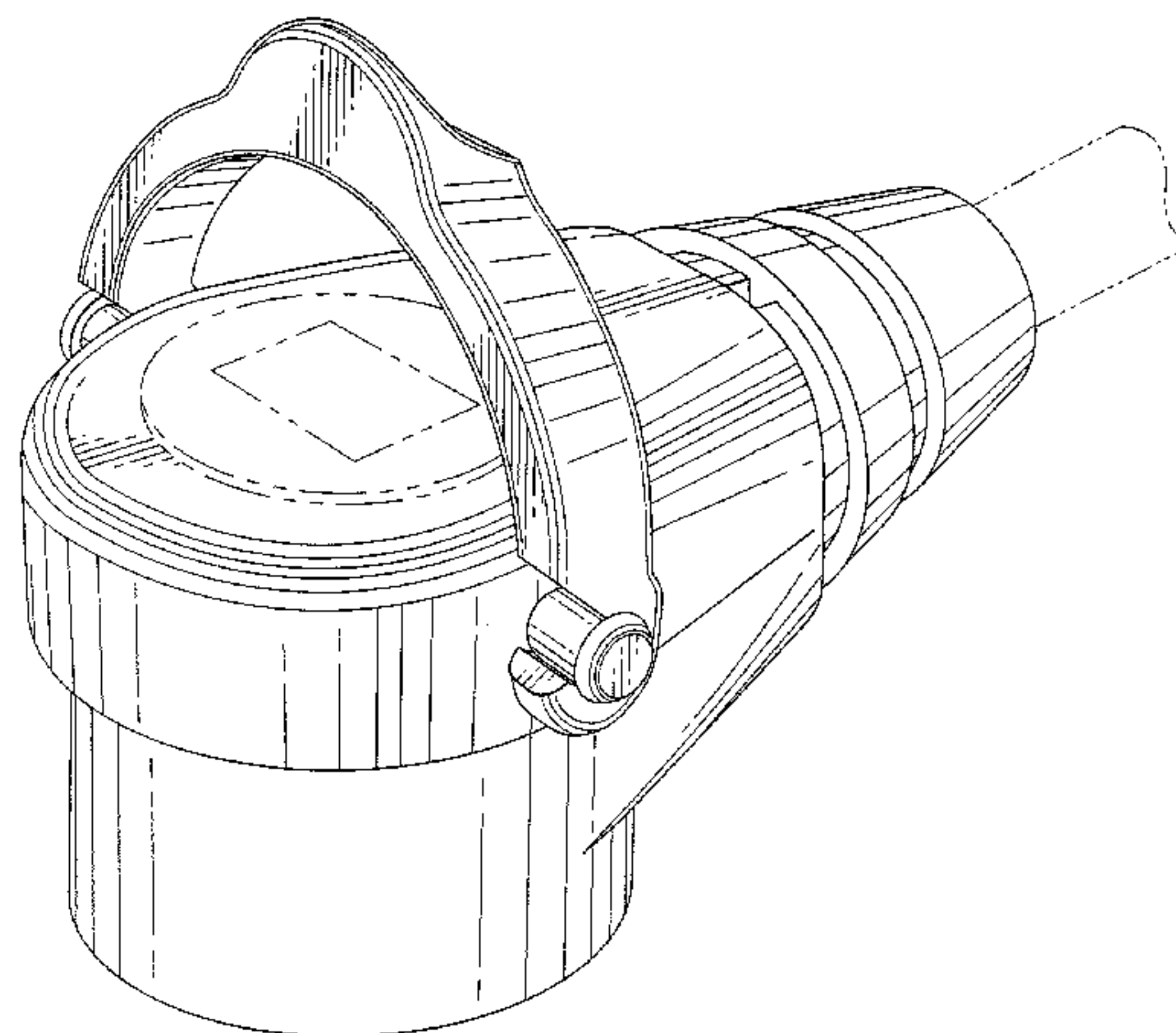
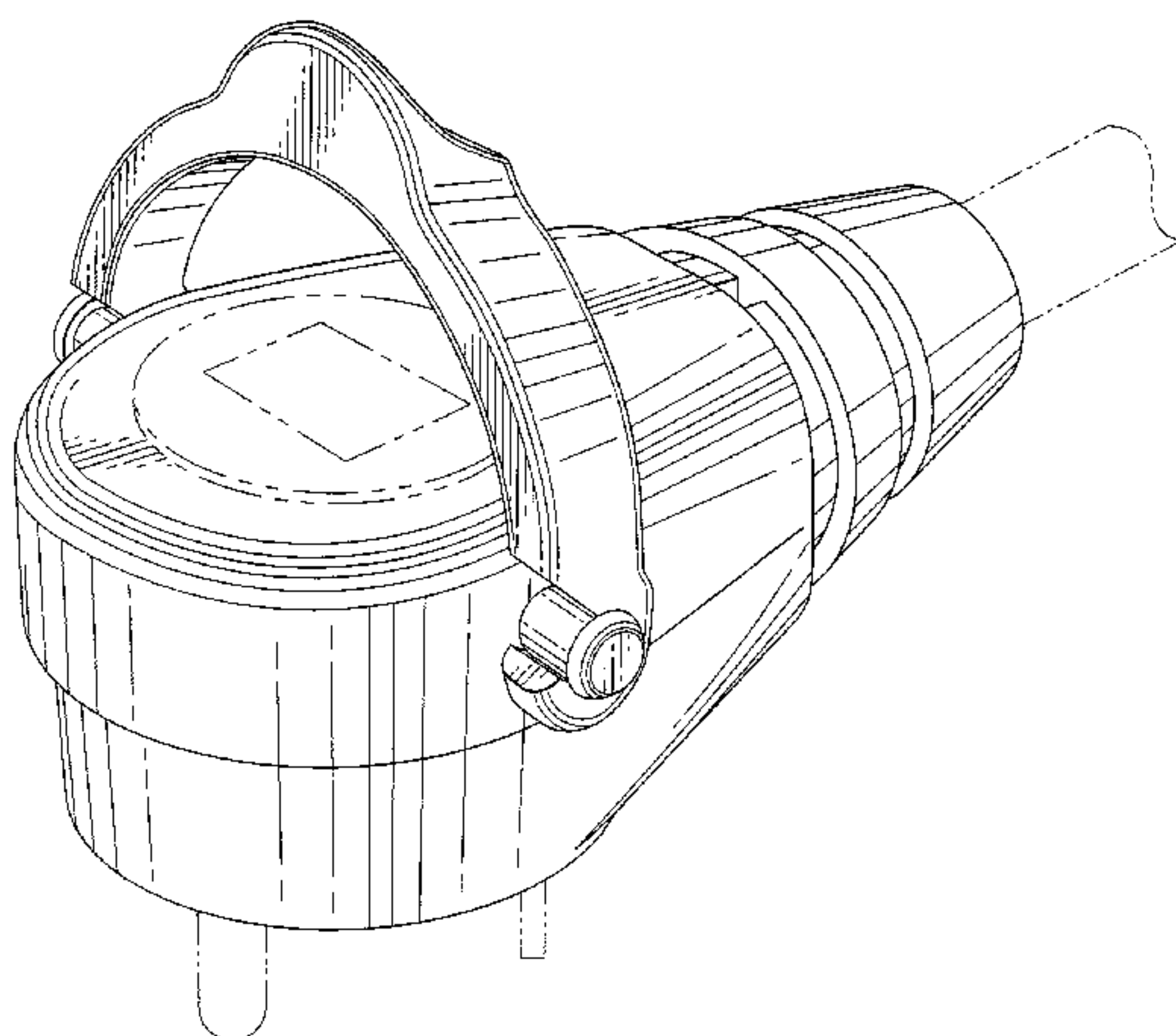


FIG. 11 is a rear elevational view taken from the right side of FIG. 9.

FIG. 12 is a bottom plan view of the design shown in FIG. 7.

FIG. 13 is a perspective view showing a second embodiment of an electrical power cord adapter, with a handle portion thereof in a first position.

FIG. 14 is a top plan view of the design shown in FIG. 13.

FIG. 15 is an elevational view taken from the right side of FIG. 13.

FIG. 16 is a front elevational view taken from the left side of FIG. 15.

FIG. 17 is a rear elevational view taken from the right side of FIG. 15.

FIG. 18 is a bottom plan view of the design shown in FIG. 13.

FIG. 19 is a perspective view of the design shown in FIG. 1 with the handle portion thereof in a second position.

FIG. 20 is a top plan view of the design shown in FIG. 19.

FIG. 21 is an elevational view taken from the right side of FIG. 19.

FIG. 22 is a front elevational view taken from the left side of FIG. 21.

FIG. 23 is a rear elevational view taken from the right side of FIG. 21; and,

FIG. 24 is a bottom plan view of the design shown in FIG. 19.

The superimposed broken lines showing a portion of a cord, prongs and receptacle openings are included for the purpose of illustrating environment and form no part of the claimed design.

The small feature located on the inside portion of the handle as shown in broken lines in FIGS. 4, 5, 8, 12, 16, 17, 20 and 24 forms no part of the claimed design.

The broken lines in FIGS. 1-5, 7-11, 13-17 and 19-23 showing a lens feature for an internal lamp used for illumination form no part of the claimed design.

1 Claim, 12 Drawing Sheets

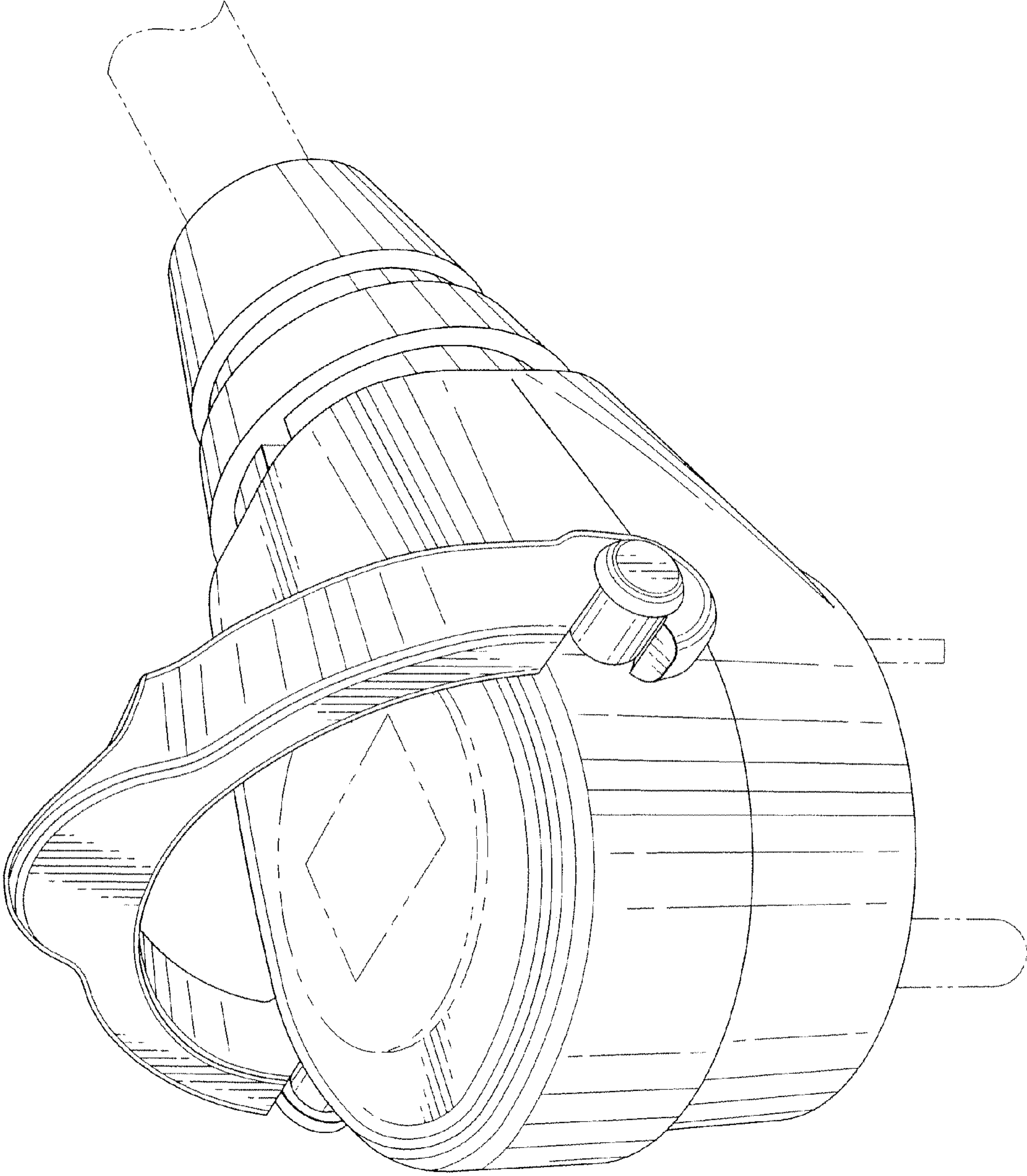


FIG. 1

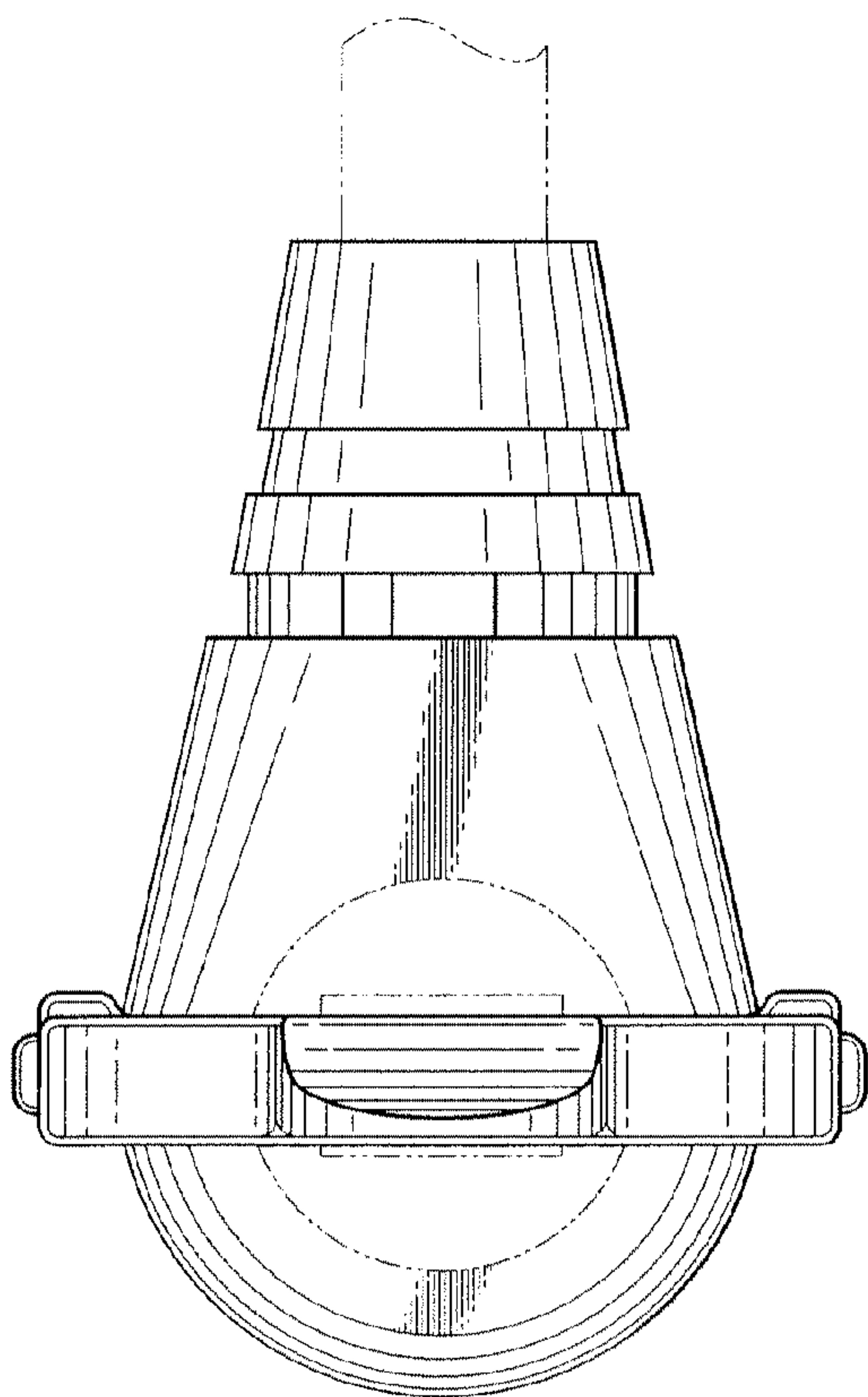


FIG. 2

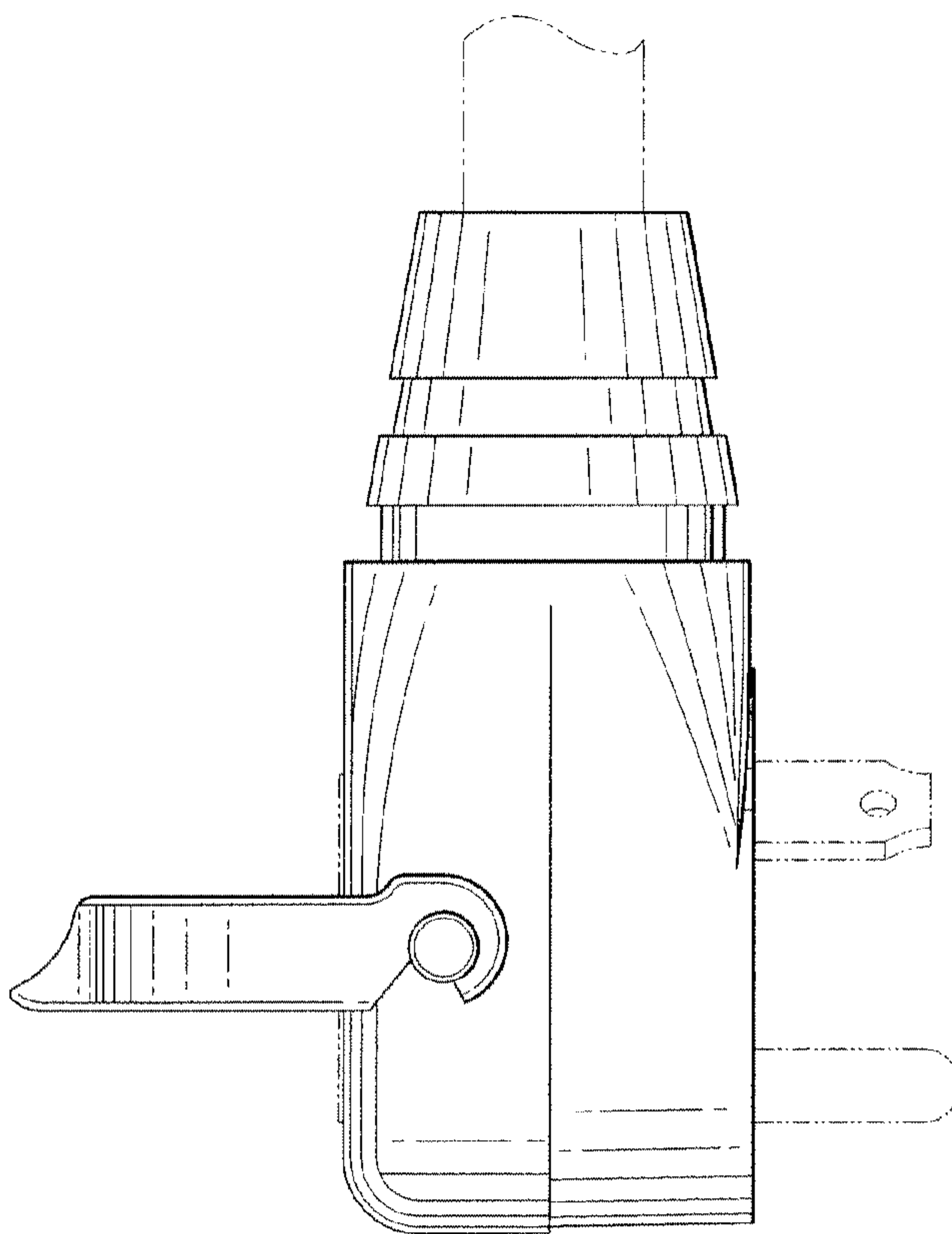
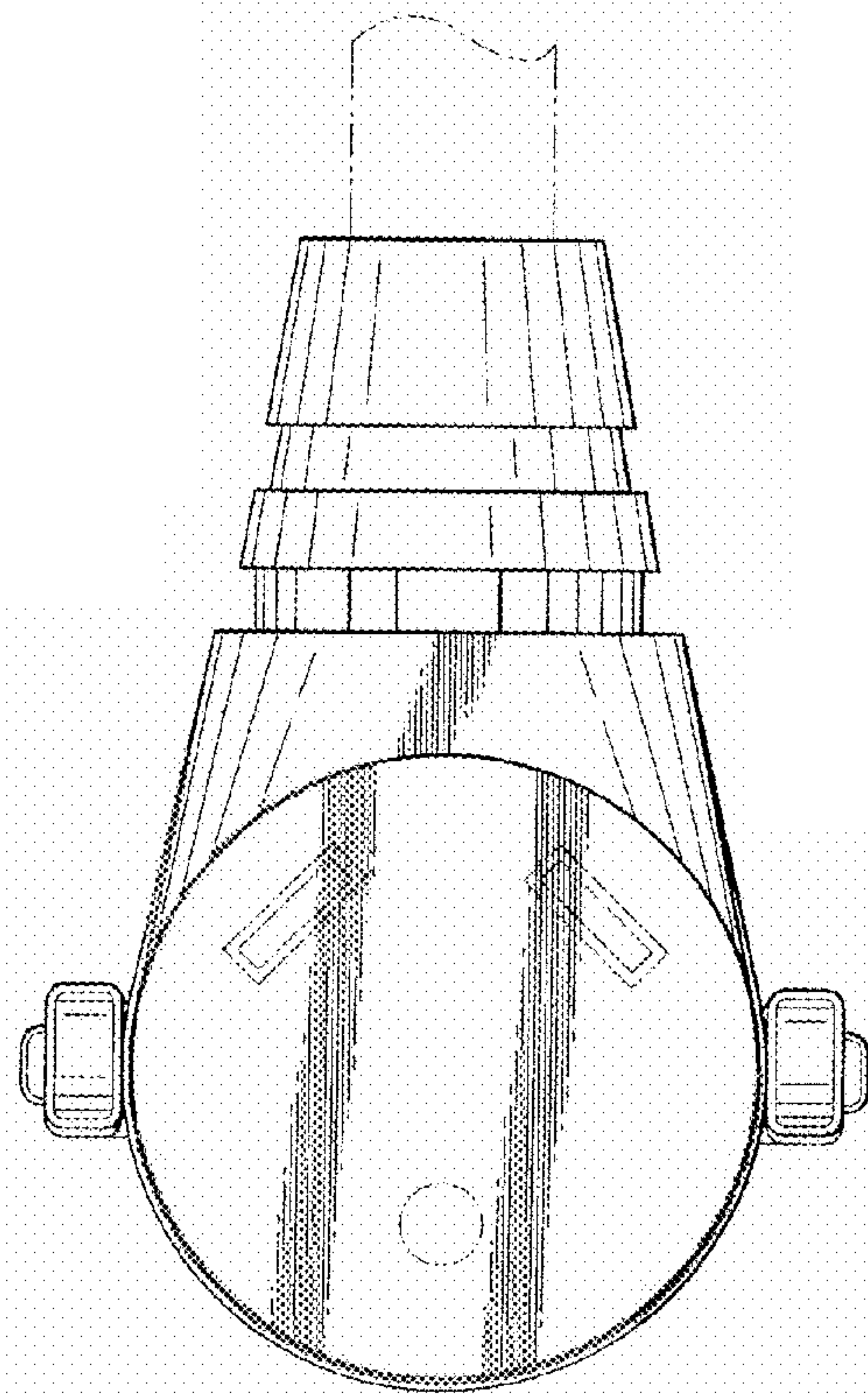
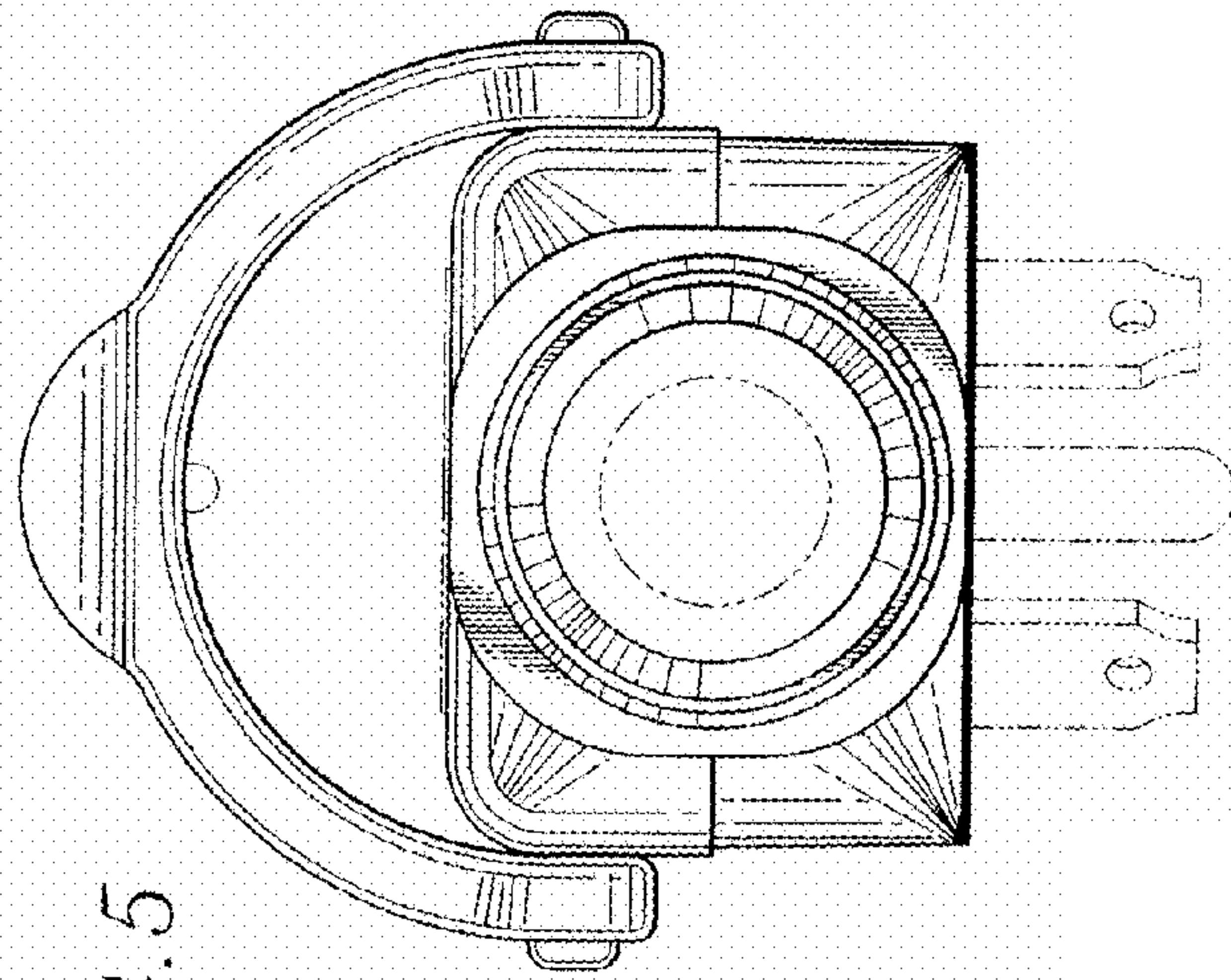
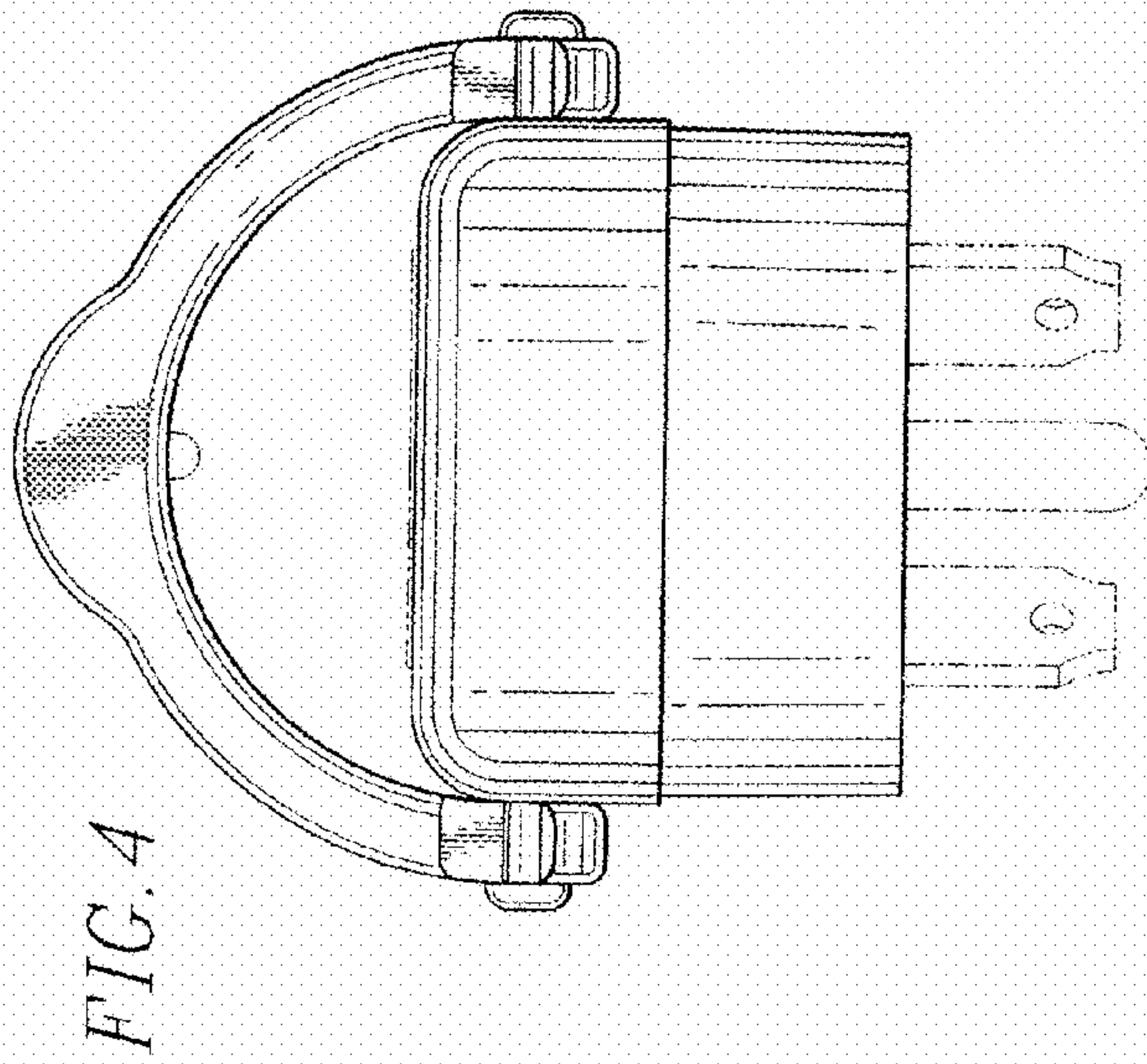


FIG. 3



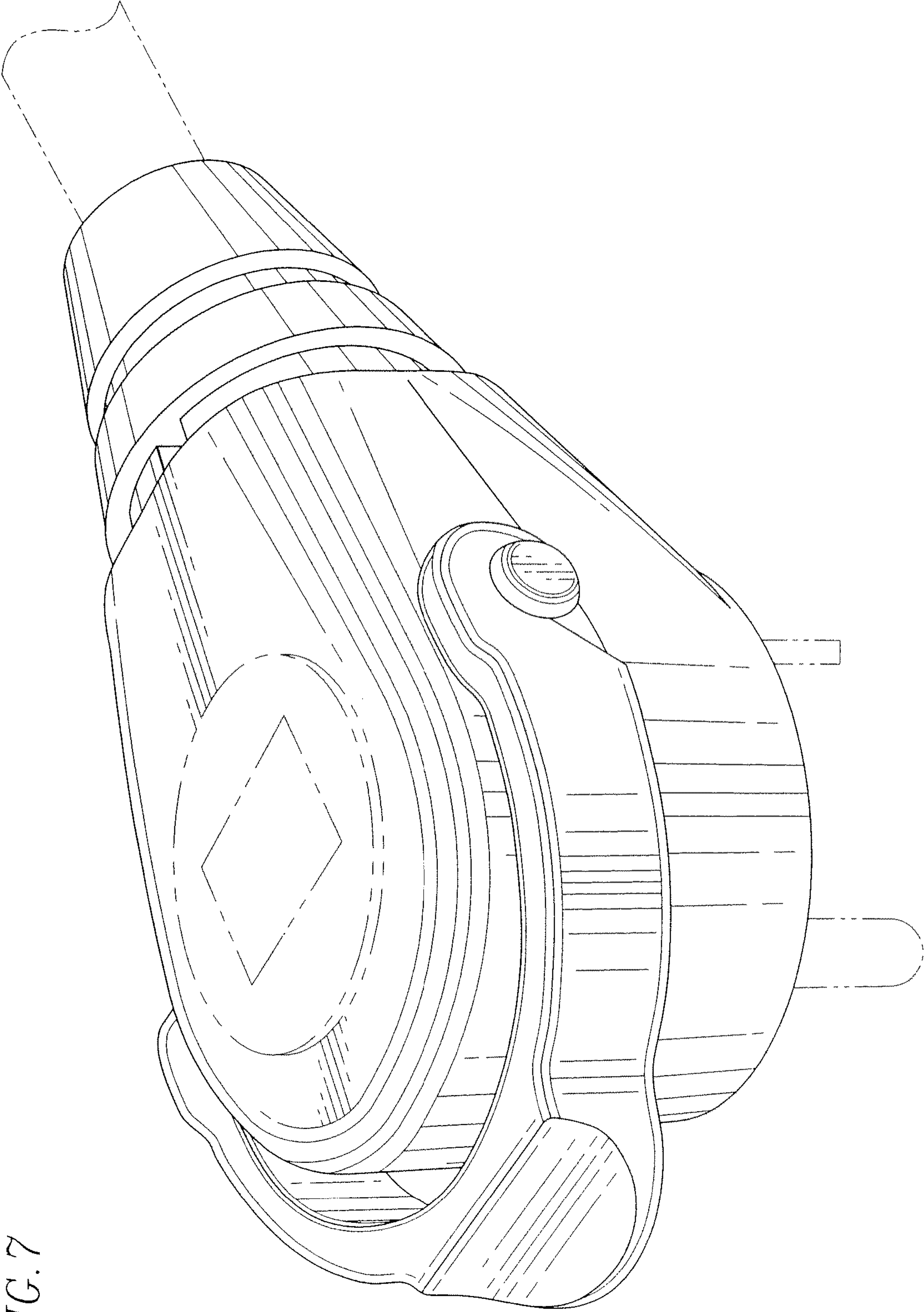


FIG. 7

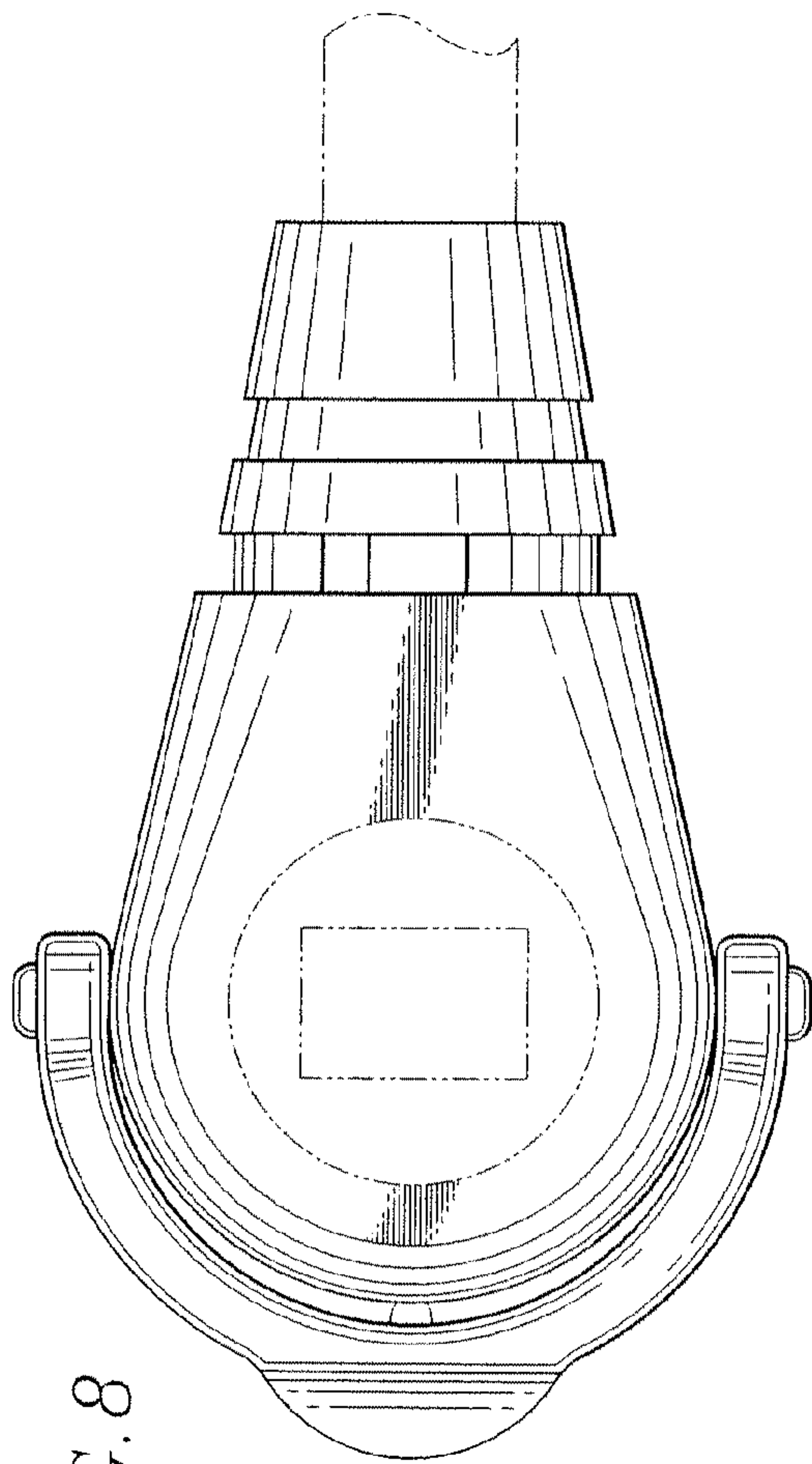


FIG. 8

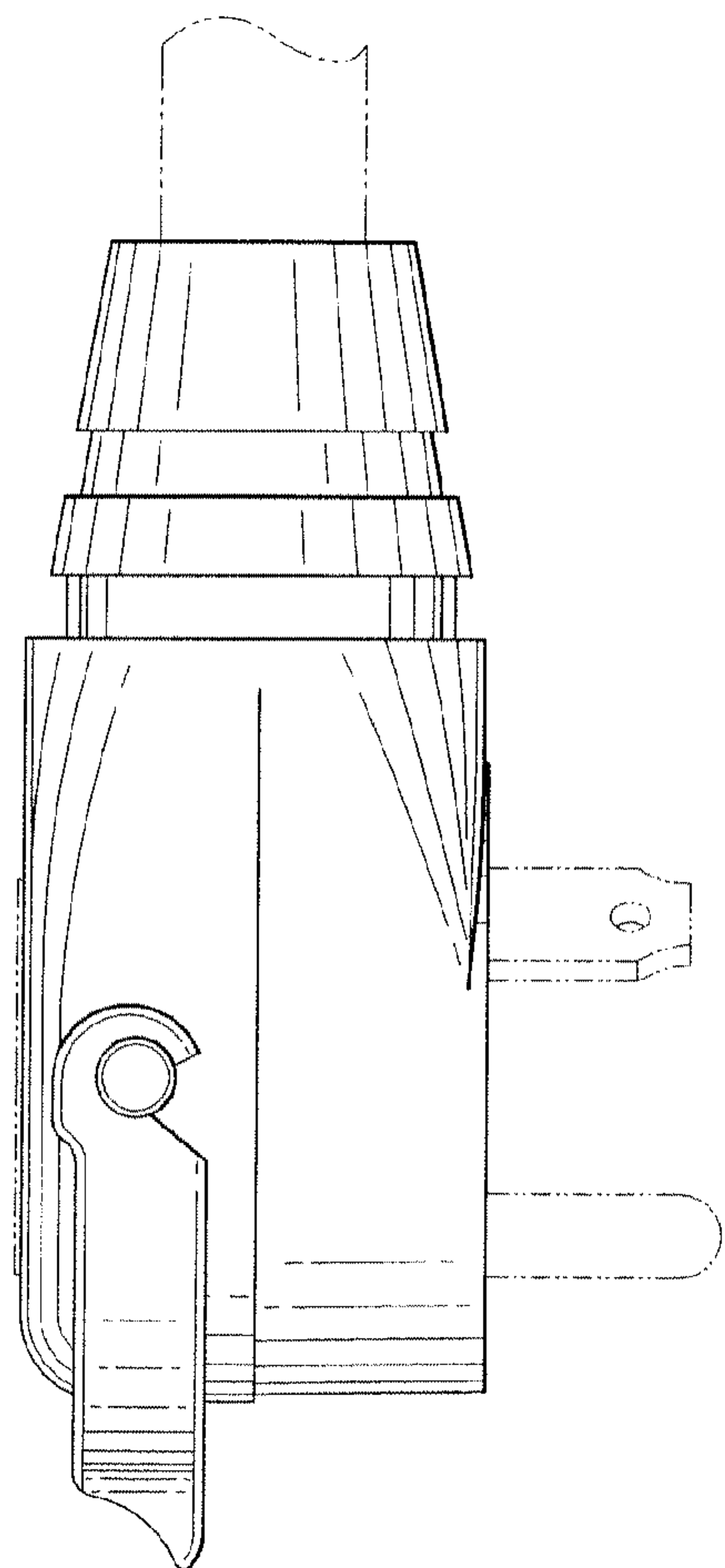


FIG. 9

FIG. 10

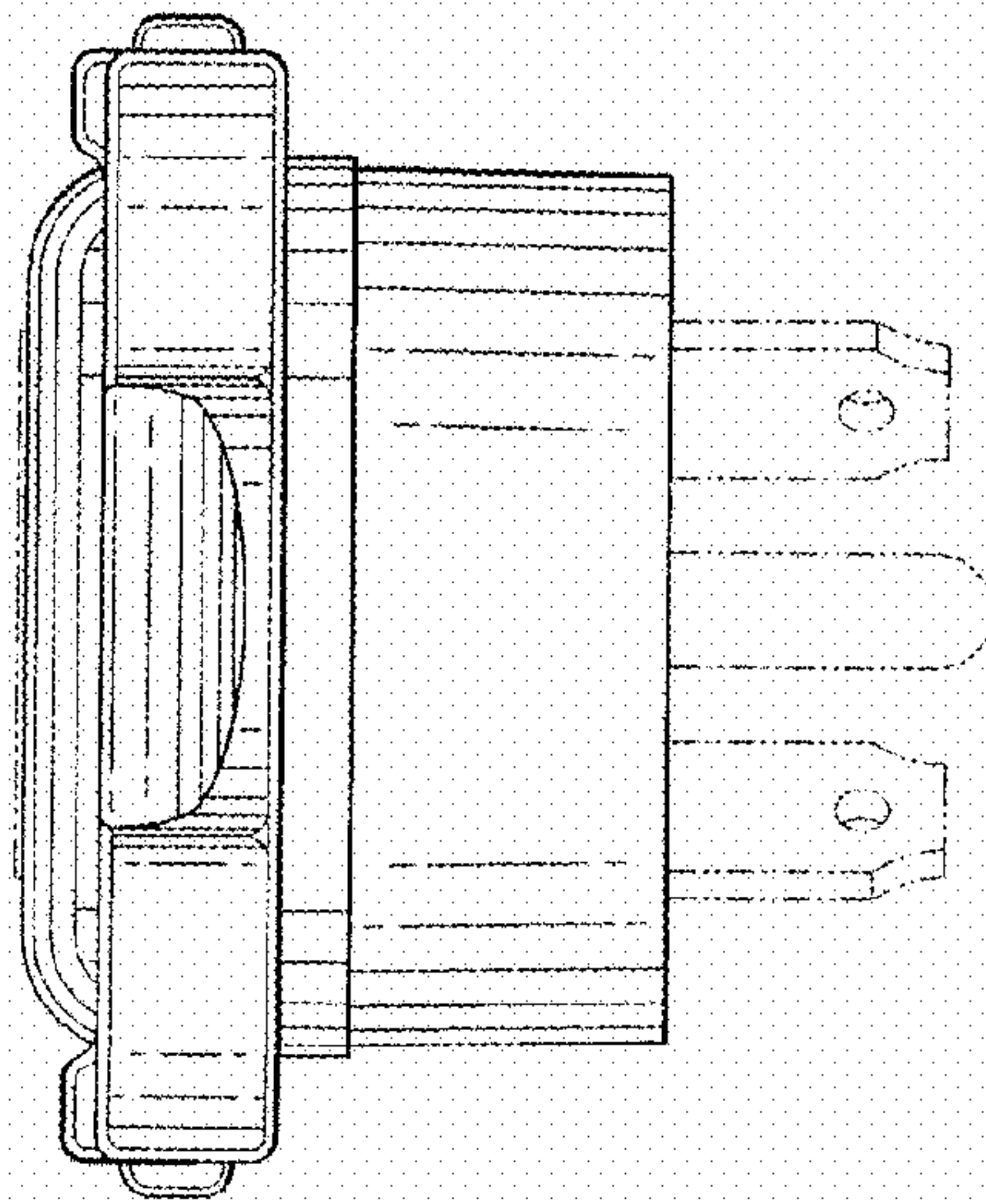


FIG. 11

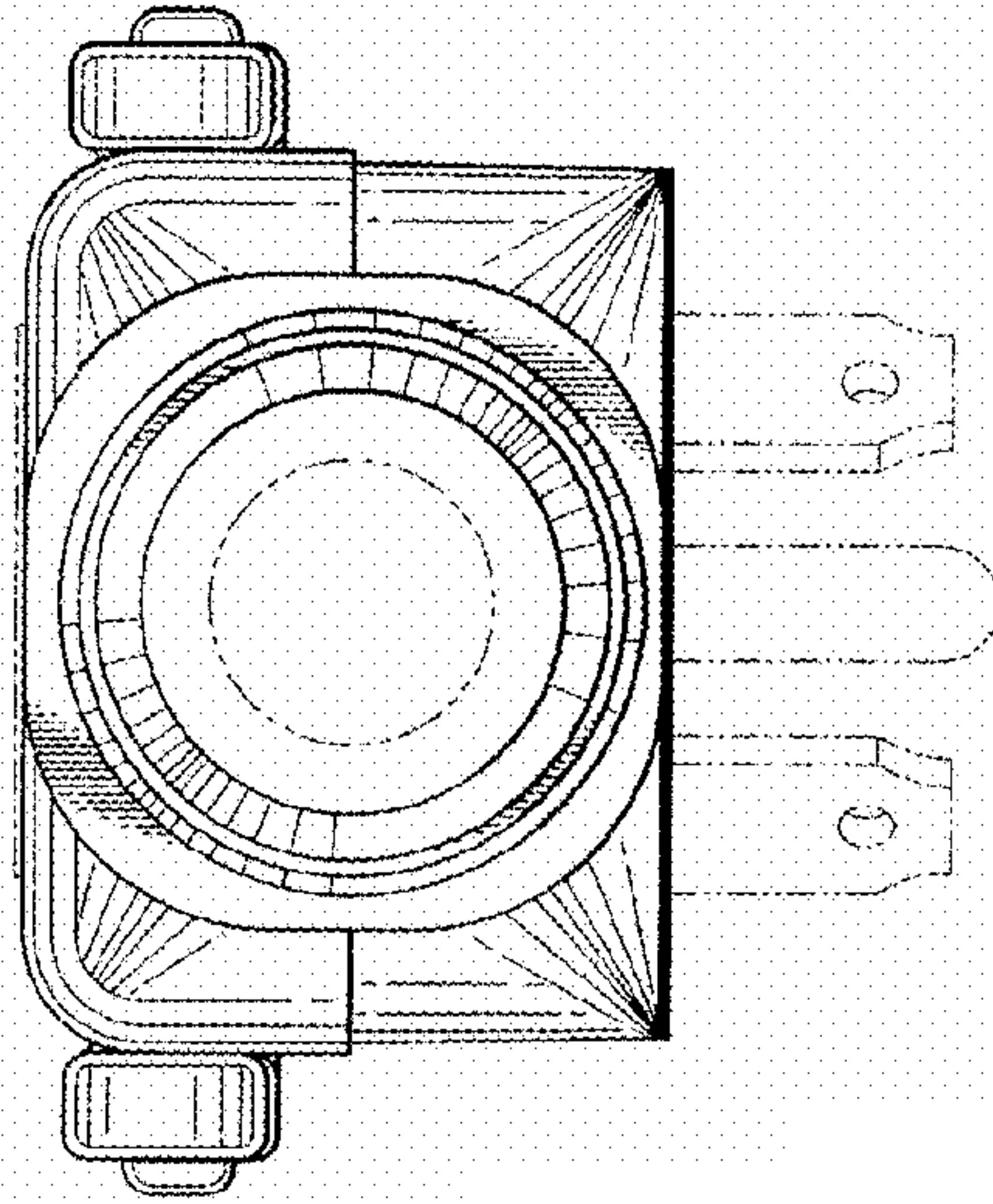
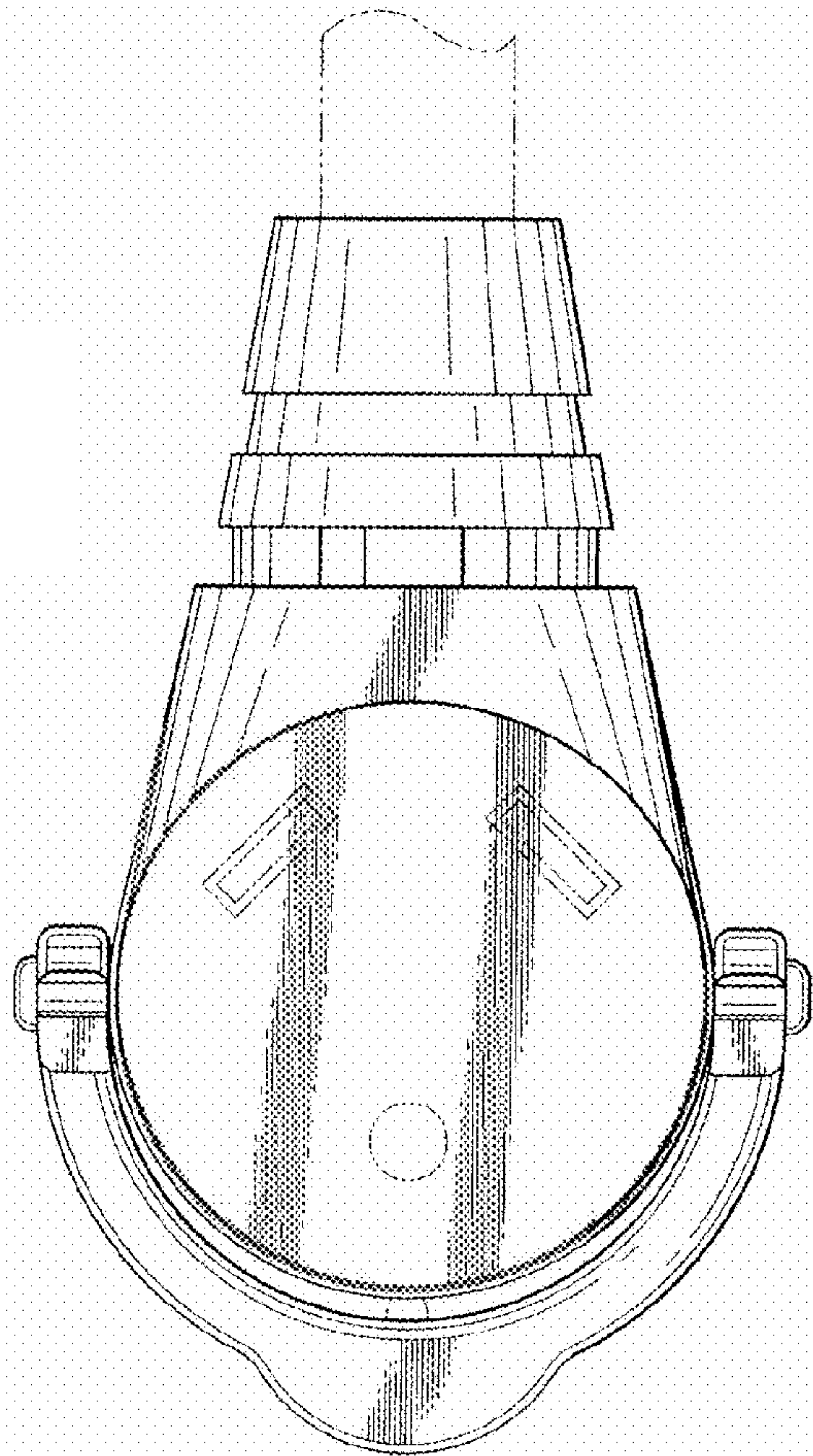


FIG. 12



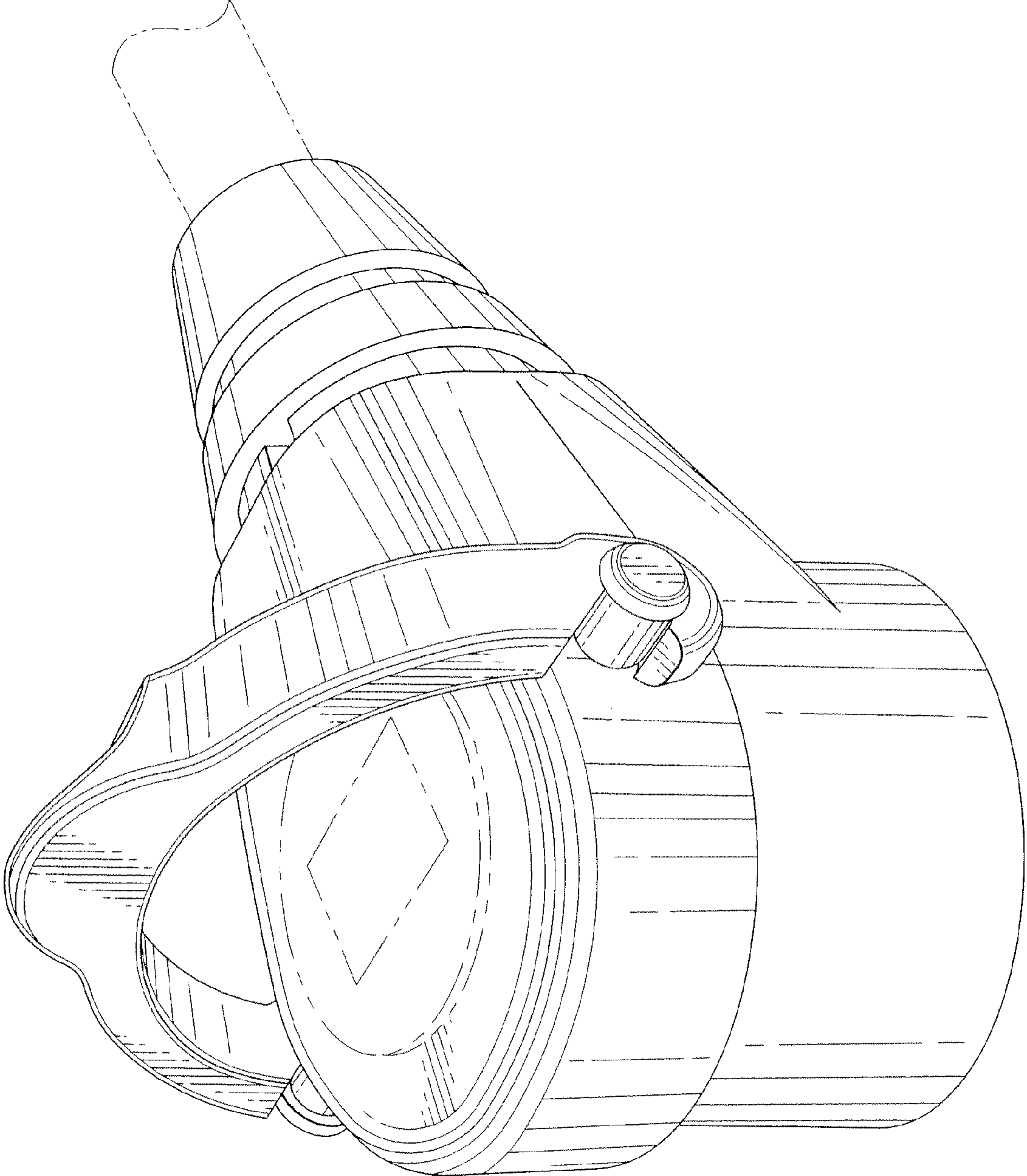


FIG. 13

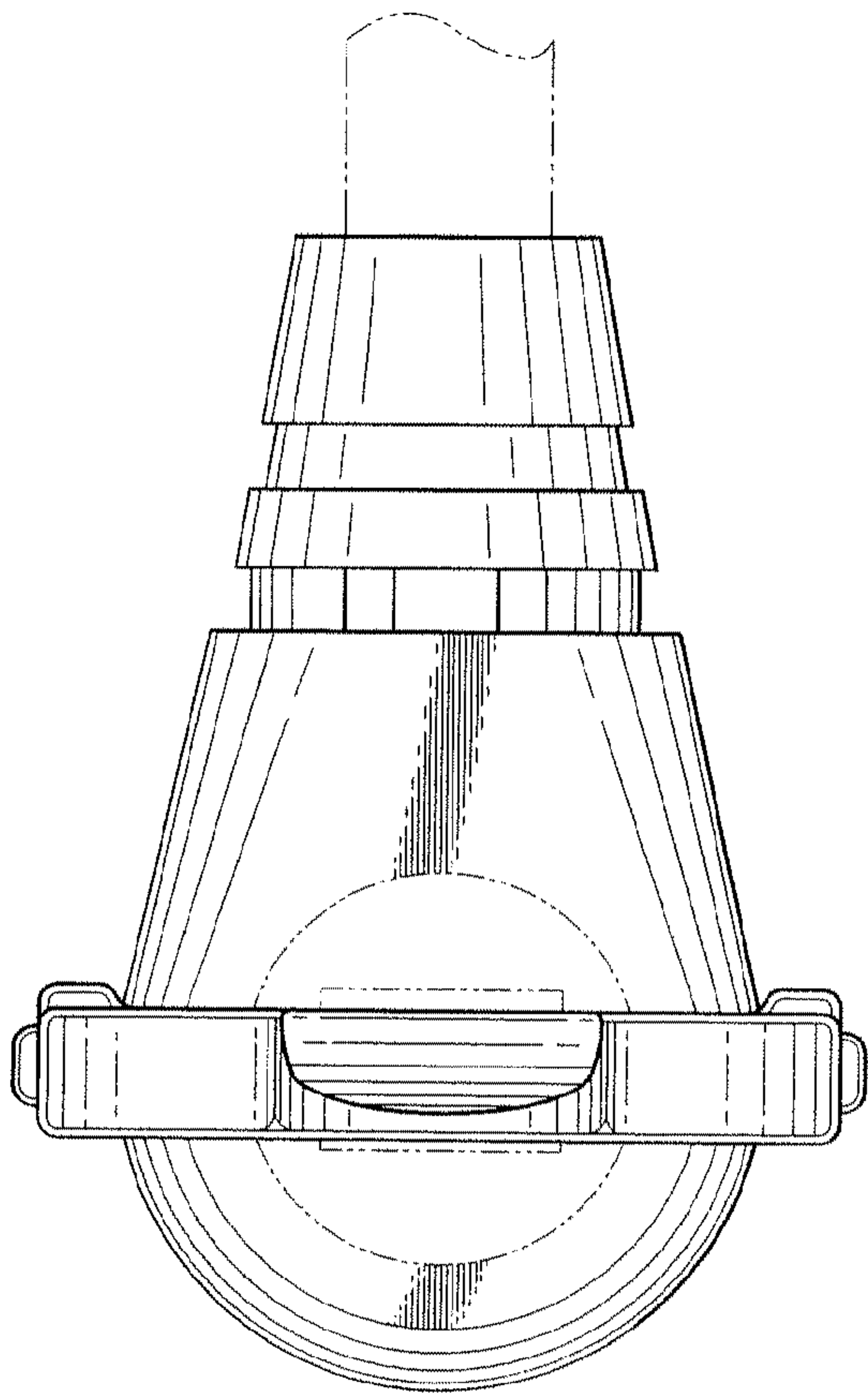


FIG. 14

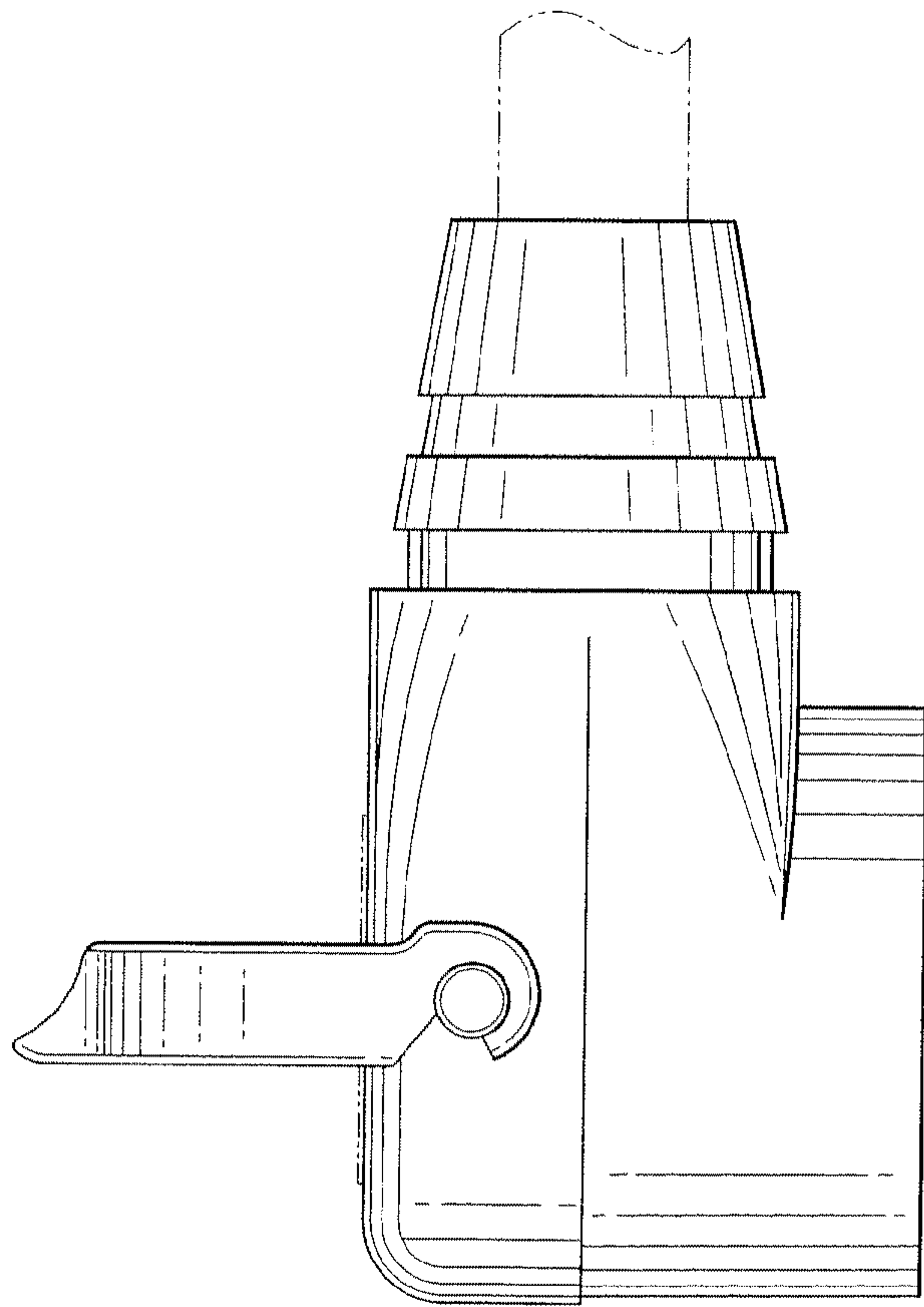


FIG. 15

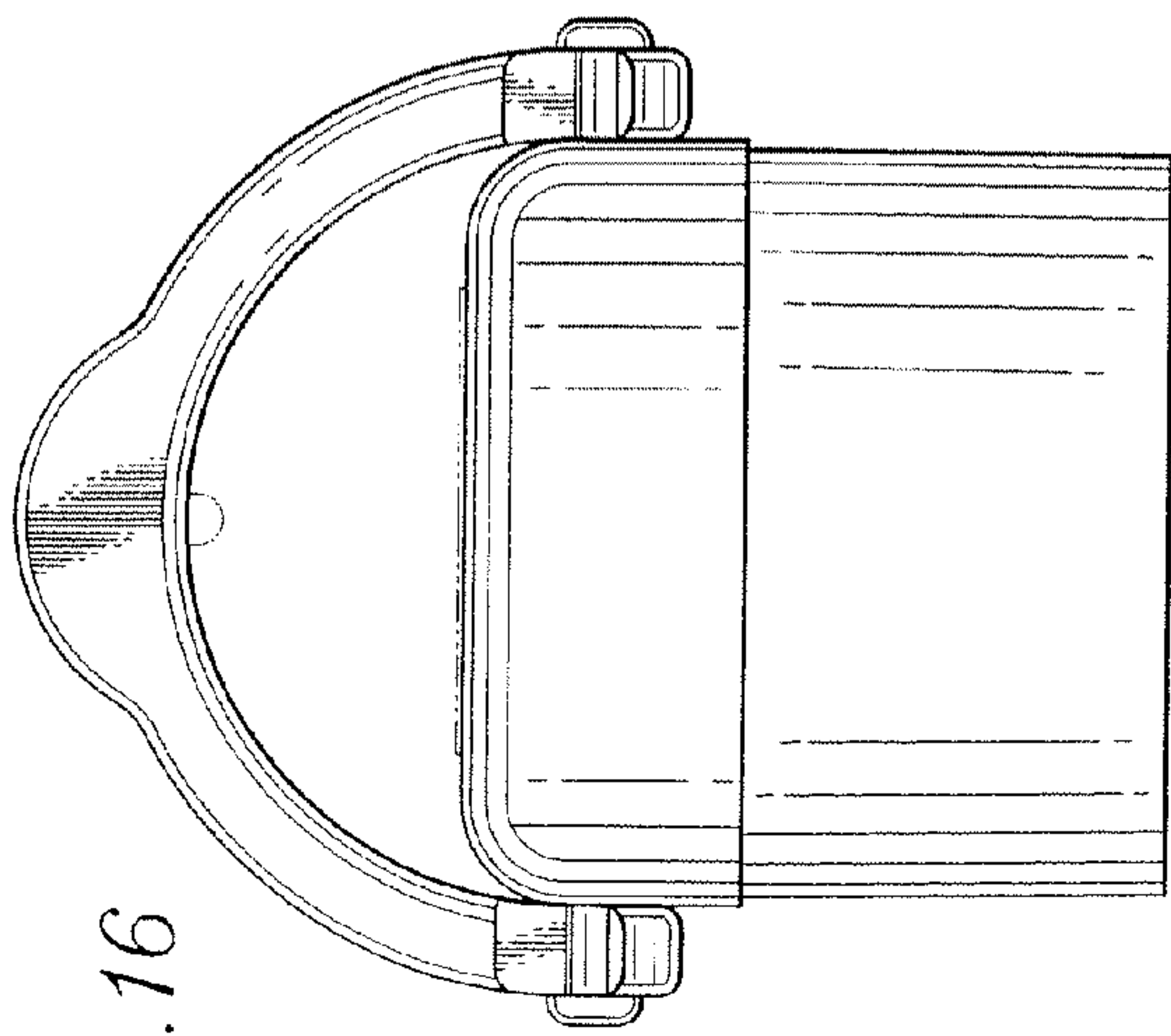


FIG. 16

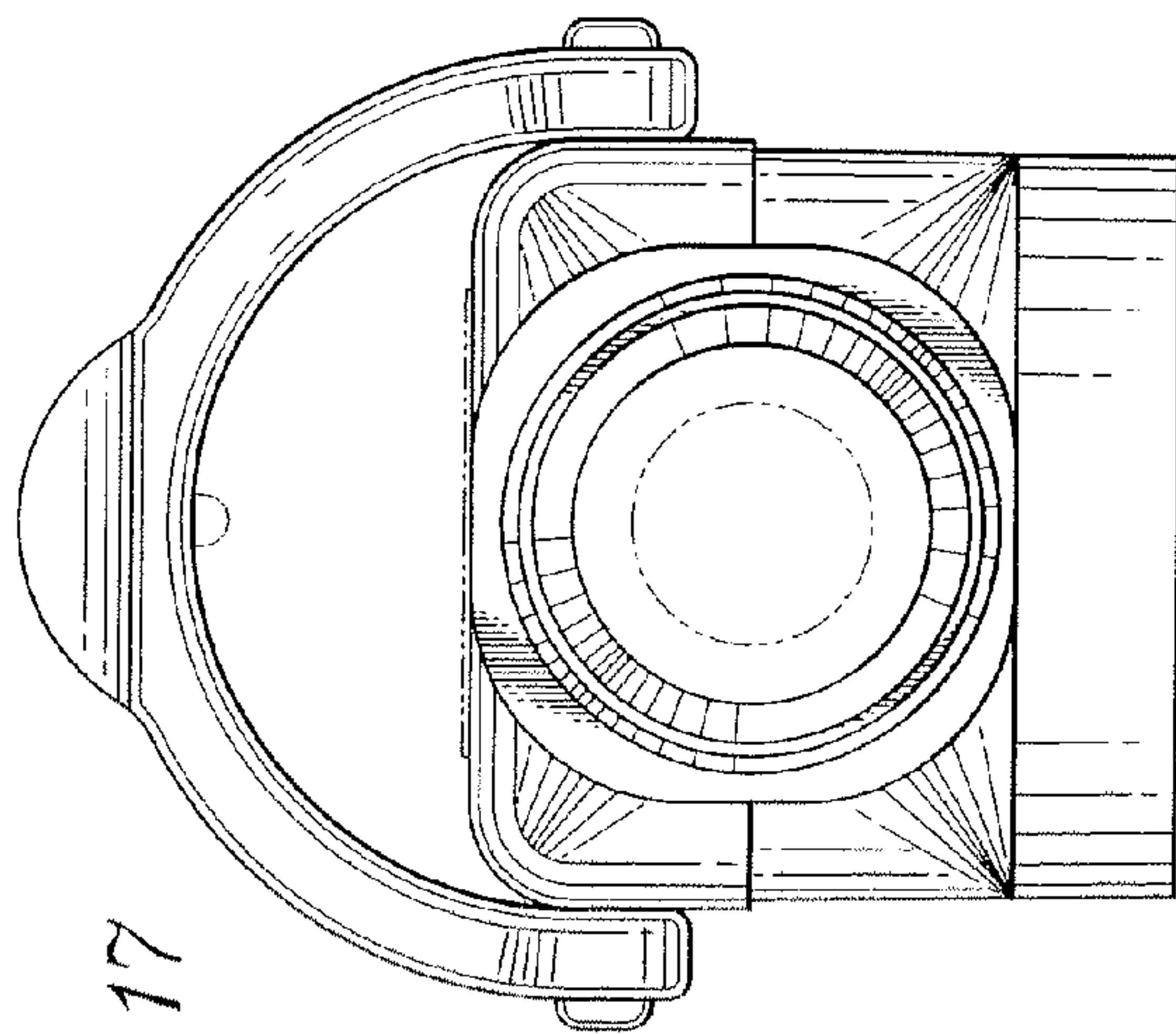


FIG. 17

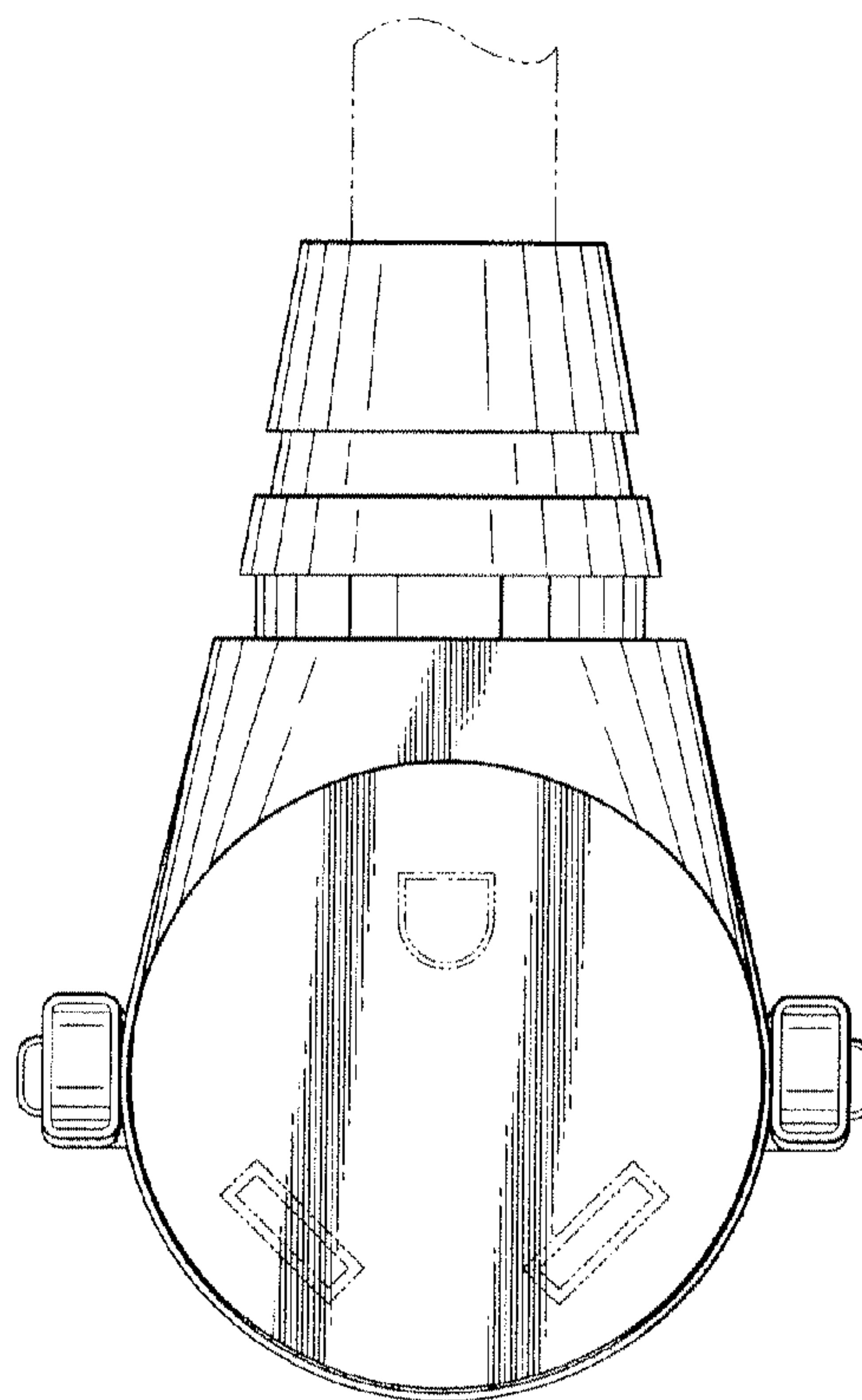


FIG. 18

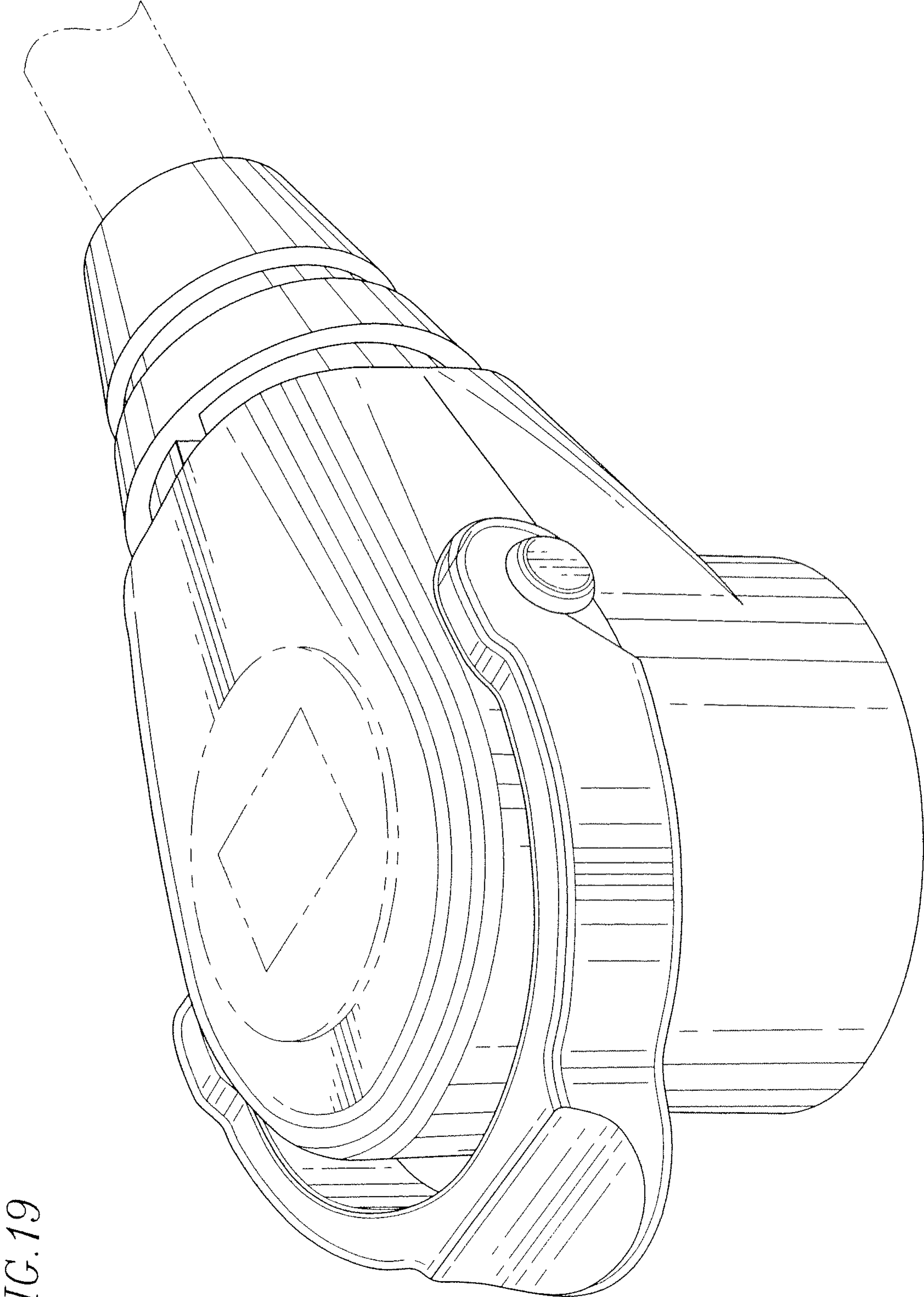


FIG. 19

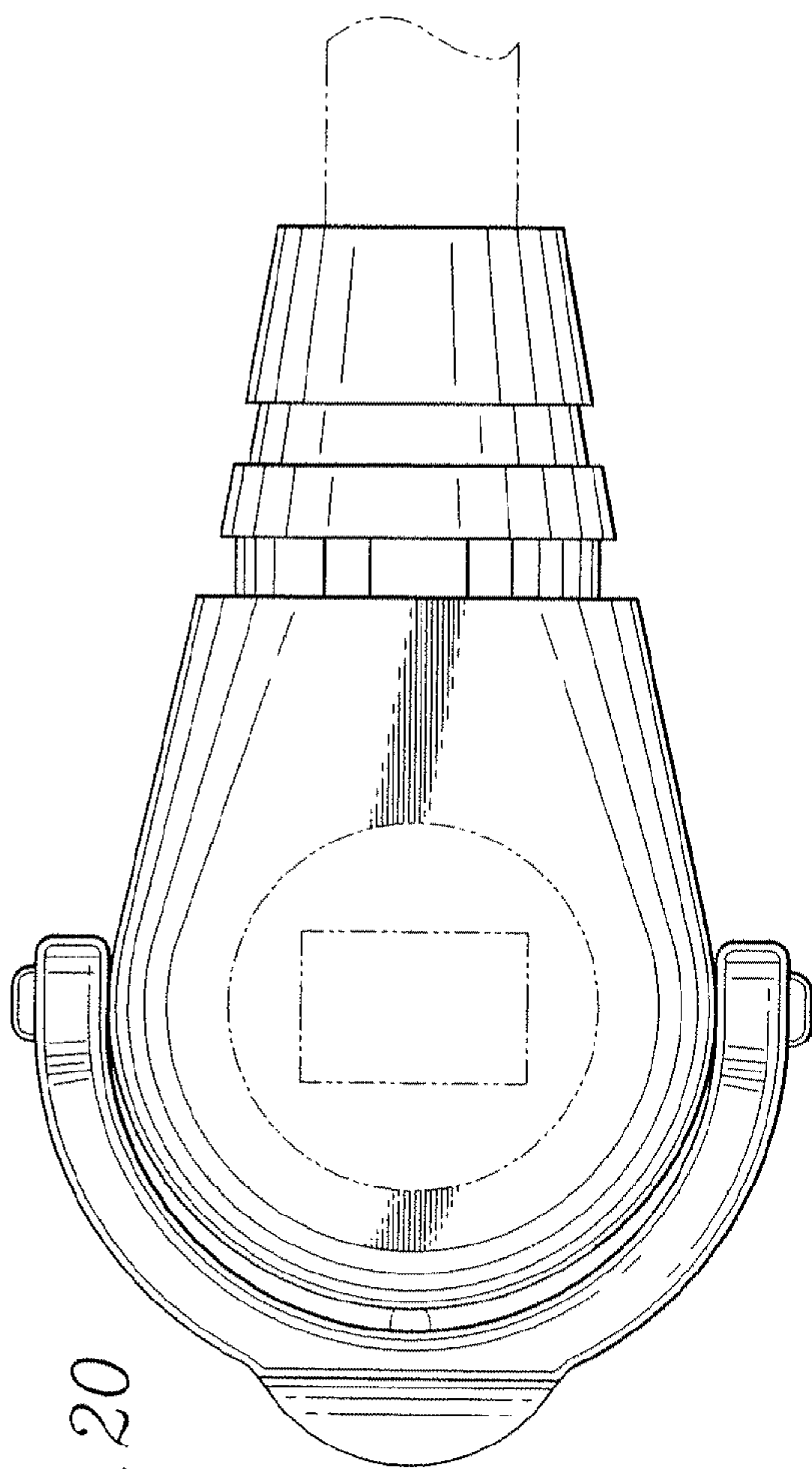


FIG. 20

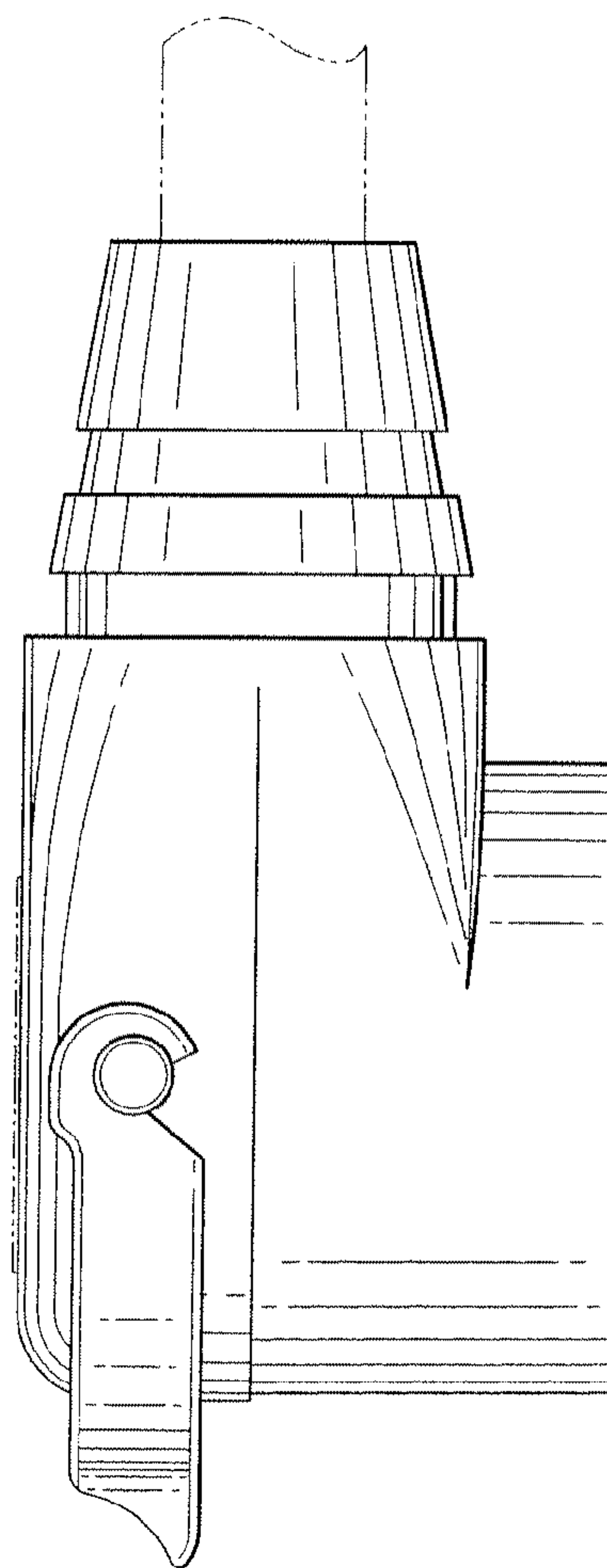


FIG. 21

FIG. 22

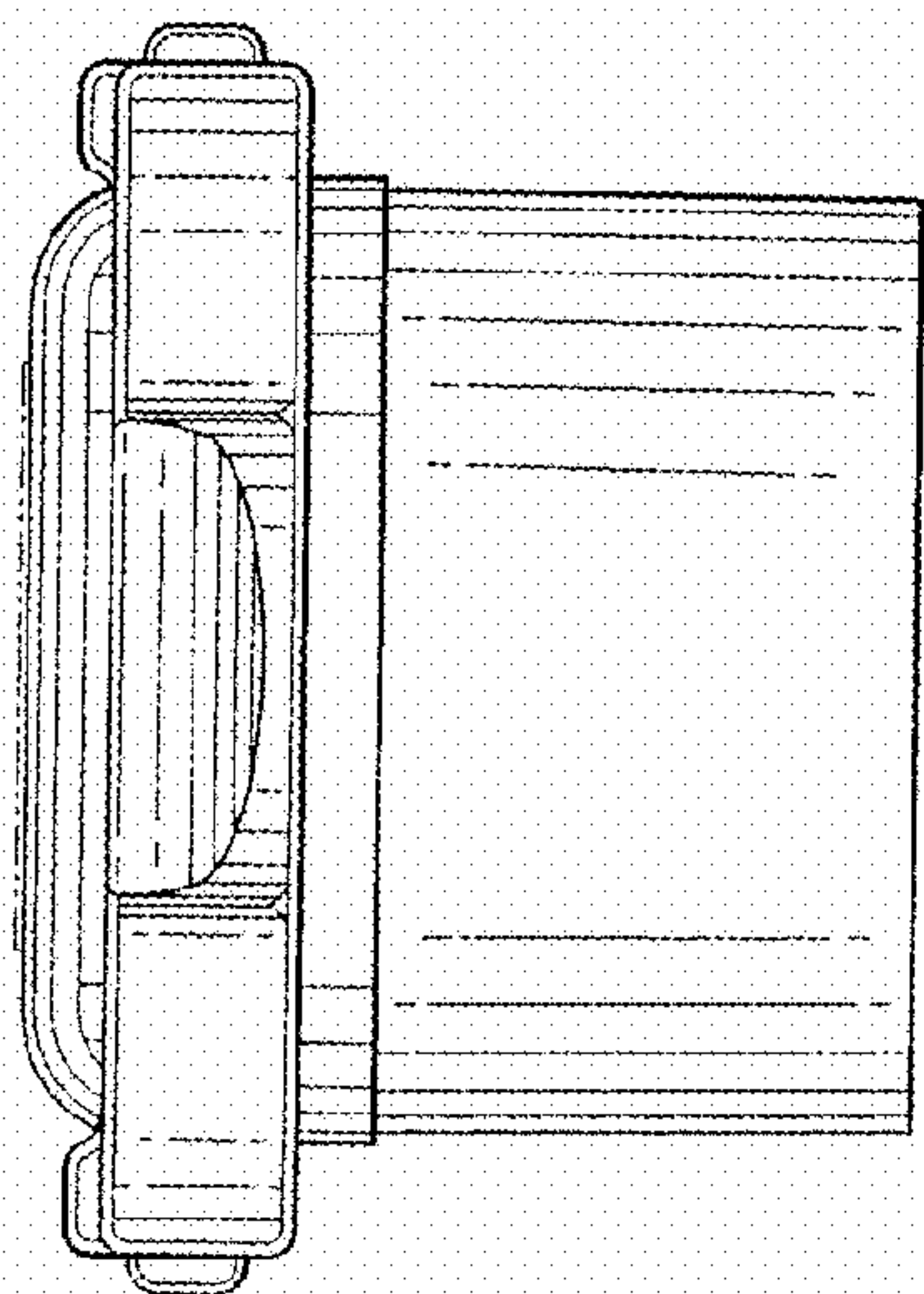


FIG. 23

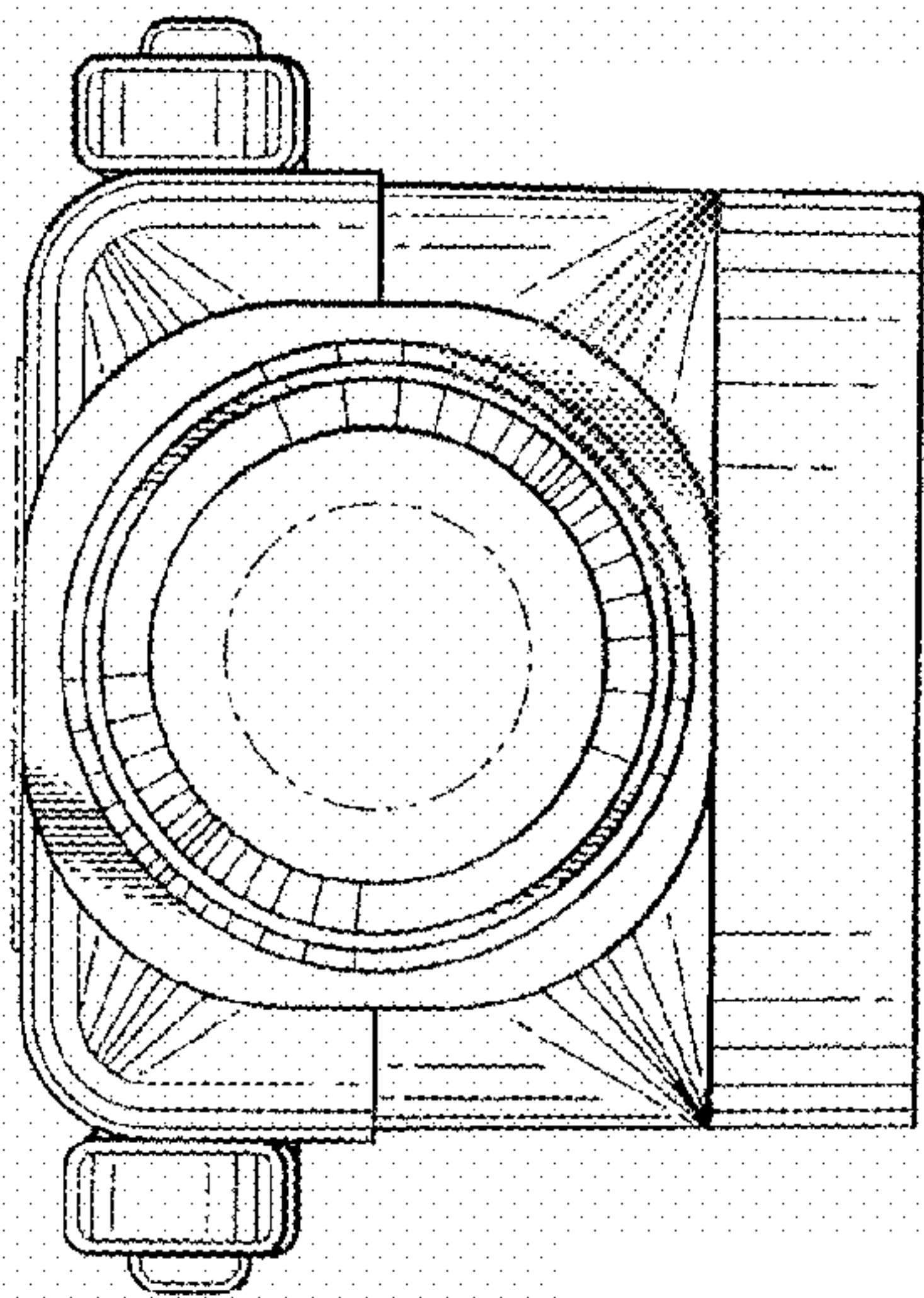


FIG. 24

