



US00D594416S

(12) **United States Design Patent**
Ohmori

(10) **Patent No.:** **US D594,416 S**
(45) **Date of Patent:** **** Jun. 16, 2009**

(54) **SOCKET FOR COLD CATHODE
FLUORESCENT LAMP**

2006/0067072 A1* 3/2006 Zonta 362/217
* cited by examiner

(75) Inventor: **Yasuhiro Ohmori**, Yao (JP)

Primary Examiner—Daniel D Bui
Assistant Examiner—Thomas J Johannes

(73) Assignee: **Hosiden Corporation**, Yao-shi (JP)

(74) *Attorney, Agent, or Firm*—Kratz, Quintos & Hanson,
LLP

(**) Term: **14 Years**

(21) Appl. No.: **29/300,529**

(57) **CLAIM**

(22) Filed: **Apr. 7, 2008**

The ornamental design for a socket for cold cathode fluores-
cent lamp, as shown and described.

(30) **Foreign Application Priority Data**

DESCRIPTION

Nov. 28, 2007 (JP) 2007-032612

(51) **LOC (9) Cl.** **13-03**

(52) **U.S. Cl.** **D13/134**

(58) **Field of Classification Search** D13/133,
D13/134, 149; D26/138, 140; 362/217,
362/147, 223, 260; 439/241, 242, 243, 244,
439/239, 226, 240

See application file for complete search history.

FIG. 1 is a front elevation of a socket for a cold cathode
fluorescent lamp showing my new design.

FIG. 2 is a back elevation view thereof;

FIG. 3 is a top plan view thereof;

FIG. 4 is a bottom plan view thereof;

FIG. 5 is a right side elevation view thereof, the left side being
a mirror image thereof;

FIG. 6 is a top, front, and right side perspective view thereof;

FIG. 7 is a top, back, and left side perspective view thereof;

FIG. 8 is a cross-sectional view thereof, taken along 8—8 in
FIG. 3;

FIG. 9 is a top plan view thereof, illustrating connection to a
cold cathode fluorescent lamp and an adapter; and,

FIG. 10 is a top, front, and right side perspective view thereof,
illustrating connection to a cold cathode fluorescent lamp and
an adapter.

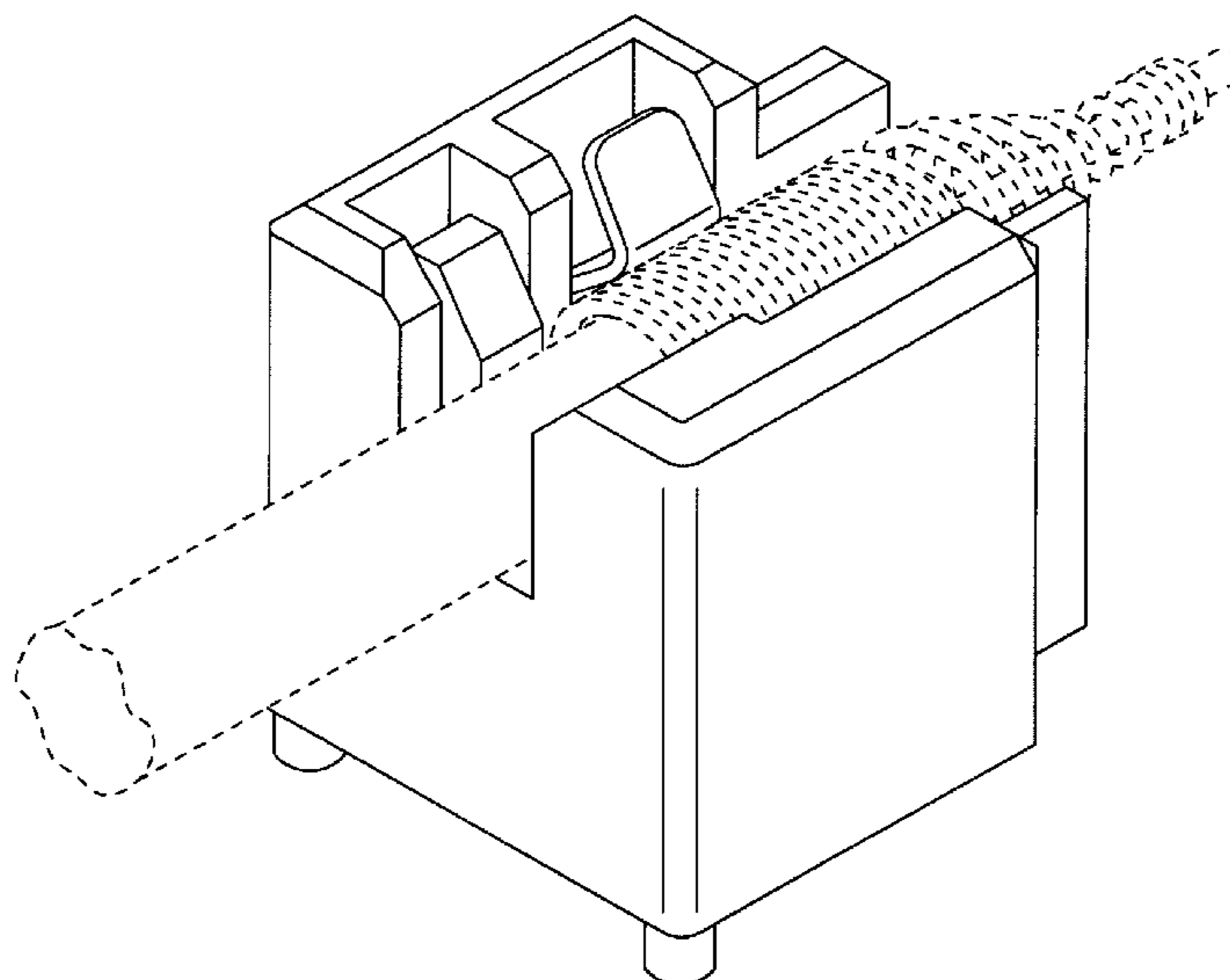
The broken line portion of the figure drawings is included to
show unclaimed subject matter only and forms no part of the
claimed design; and, the special dot—dash broken line
defines the bounds of the claimed design and forms no part of
the claimed design.

(56) **References Cited**

U.S. PATENT DOCUMENTS

- 4,198,109 A * 4/1980 Ustin 439/239
- 5,469,348 A * 11/1995 Wong 362/217
- D388,395 S * 12/1997 Henrici D13/134
- D399,820 S * 10/1998 Henrici D13/134
- 5,816,837 A * 10/1998 Henrici et al. 439/231
- D417,653 S * 12/1999 Henrici D13/134
- 6,561,828 B2 * 5/2003 Henrici et al. 439/239
- D491,890 S * 6/2004 Henrici et al. D13/134
- D493,425 S * 7/2004 Henrici et al. D13/134
- 6,769,789 B1 * 8/2004 Won et al. 362/260
- 7,097,327 B1 * 8/2006 Barton 362/260
- 2003/0068913 A1 * 4/2003 Henrici et al. 439/239

1 Claim, 10 Drawing Sheets



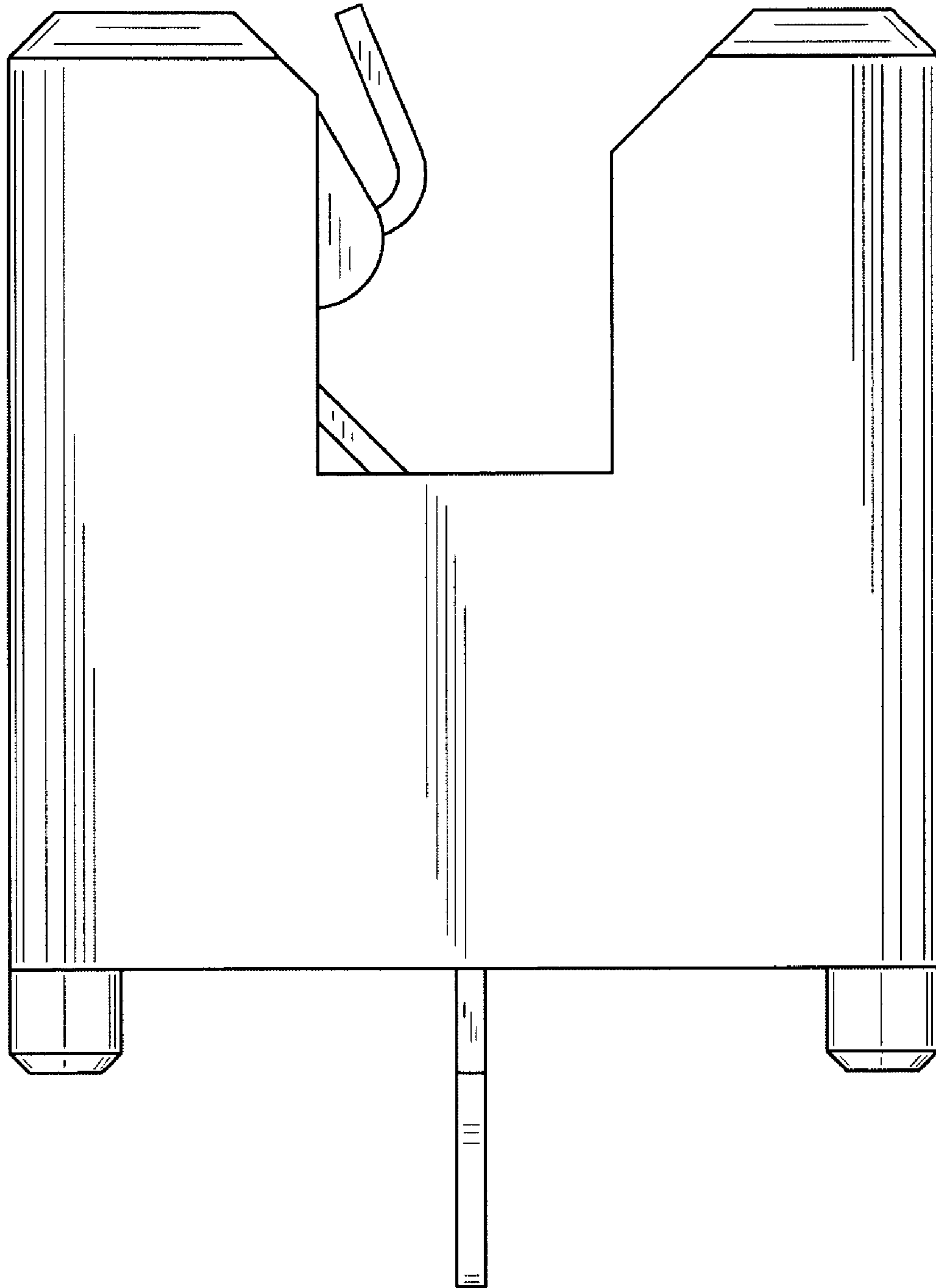


FIG. 1

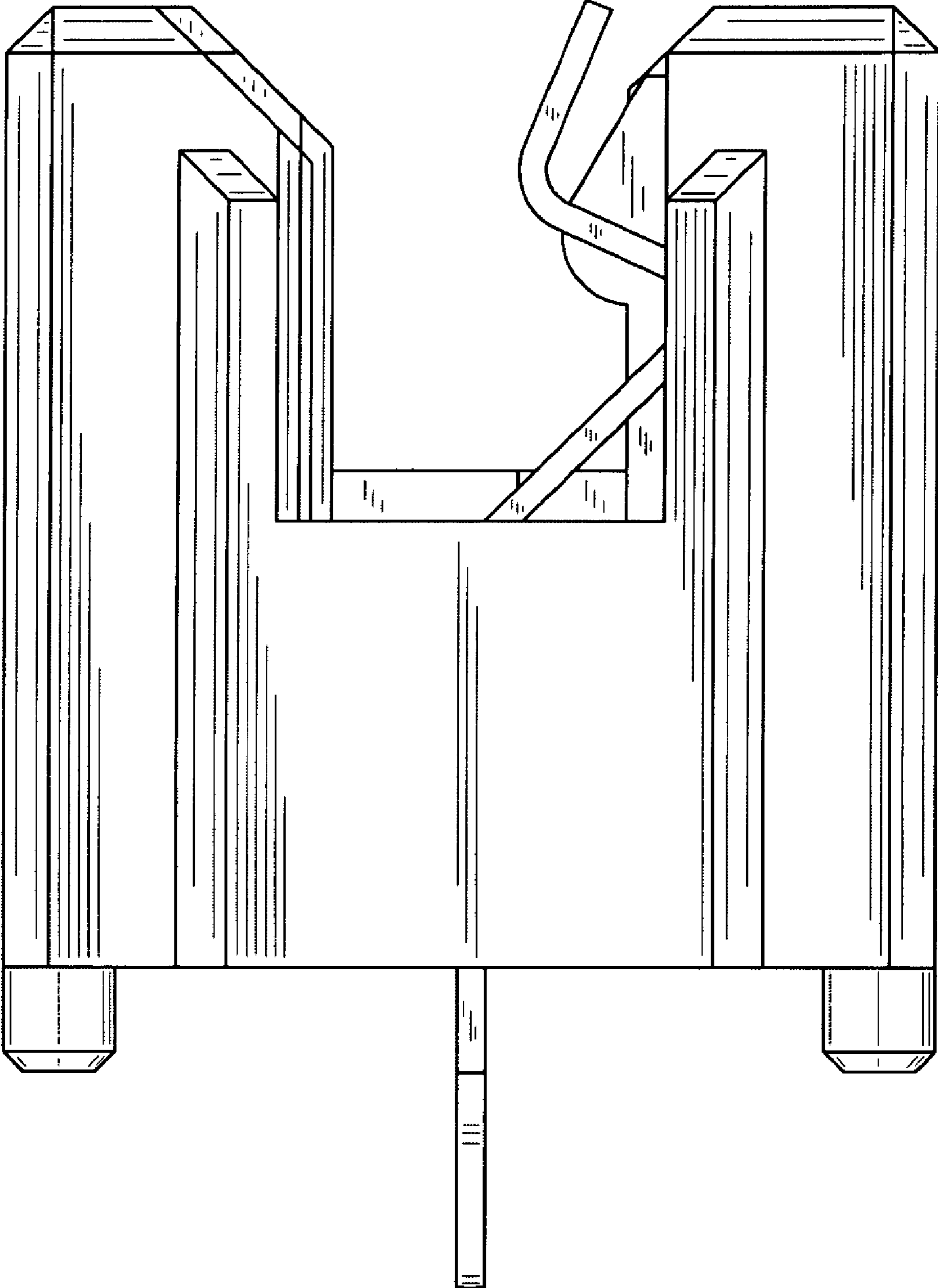


FIG. 2

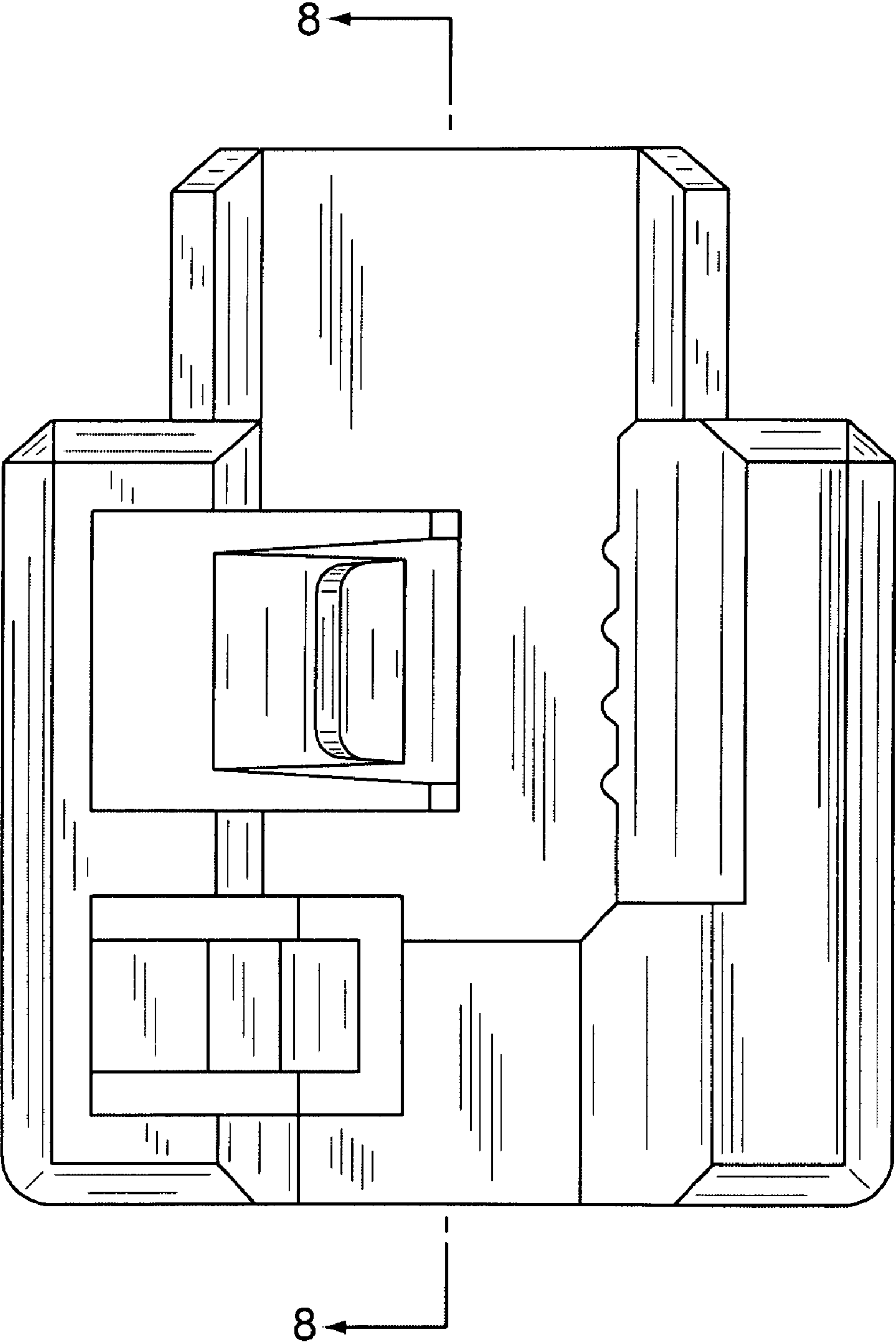


FIG.3

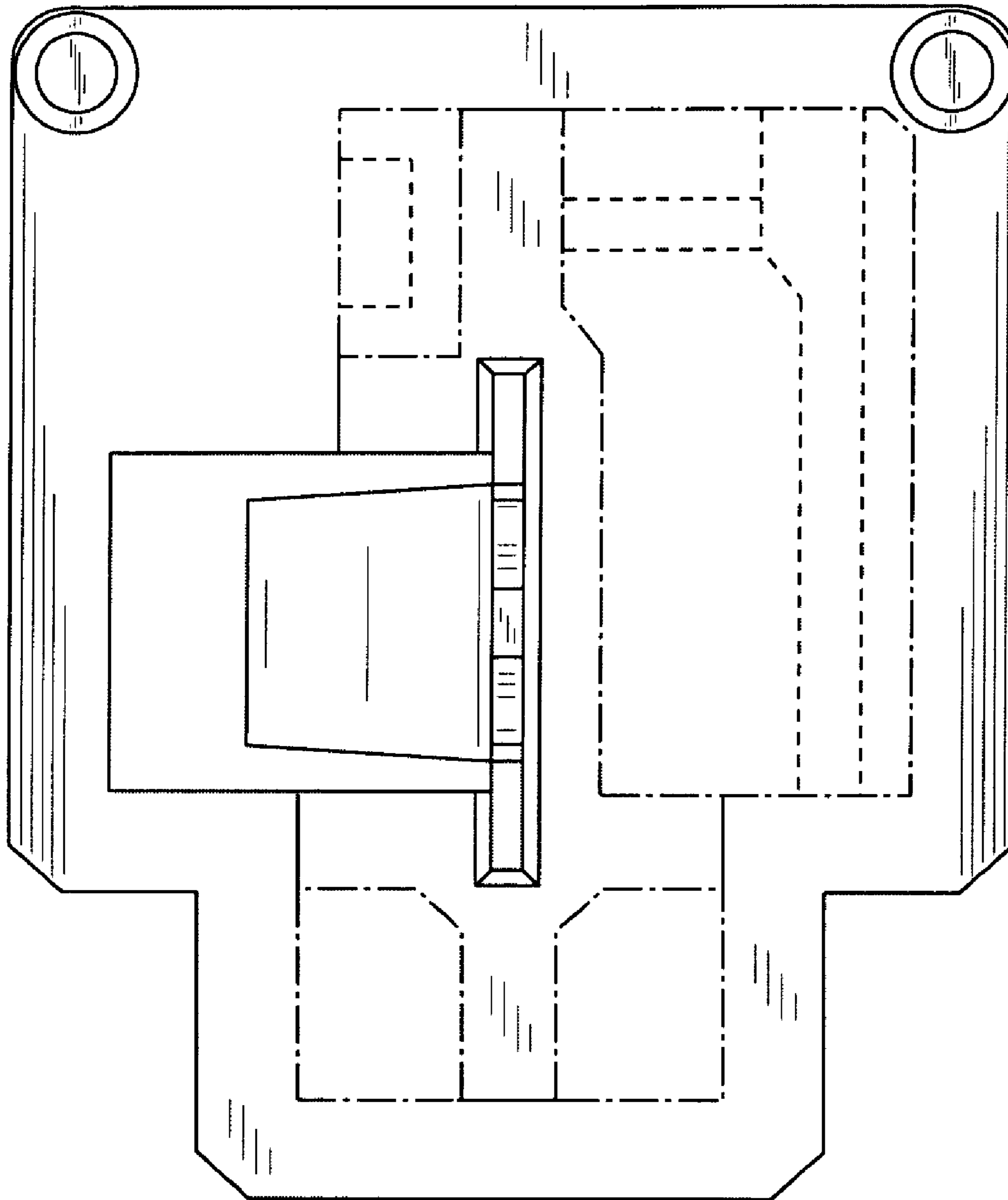


FIG. 4

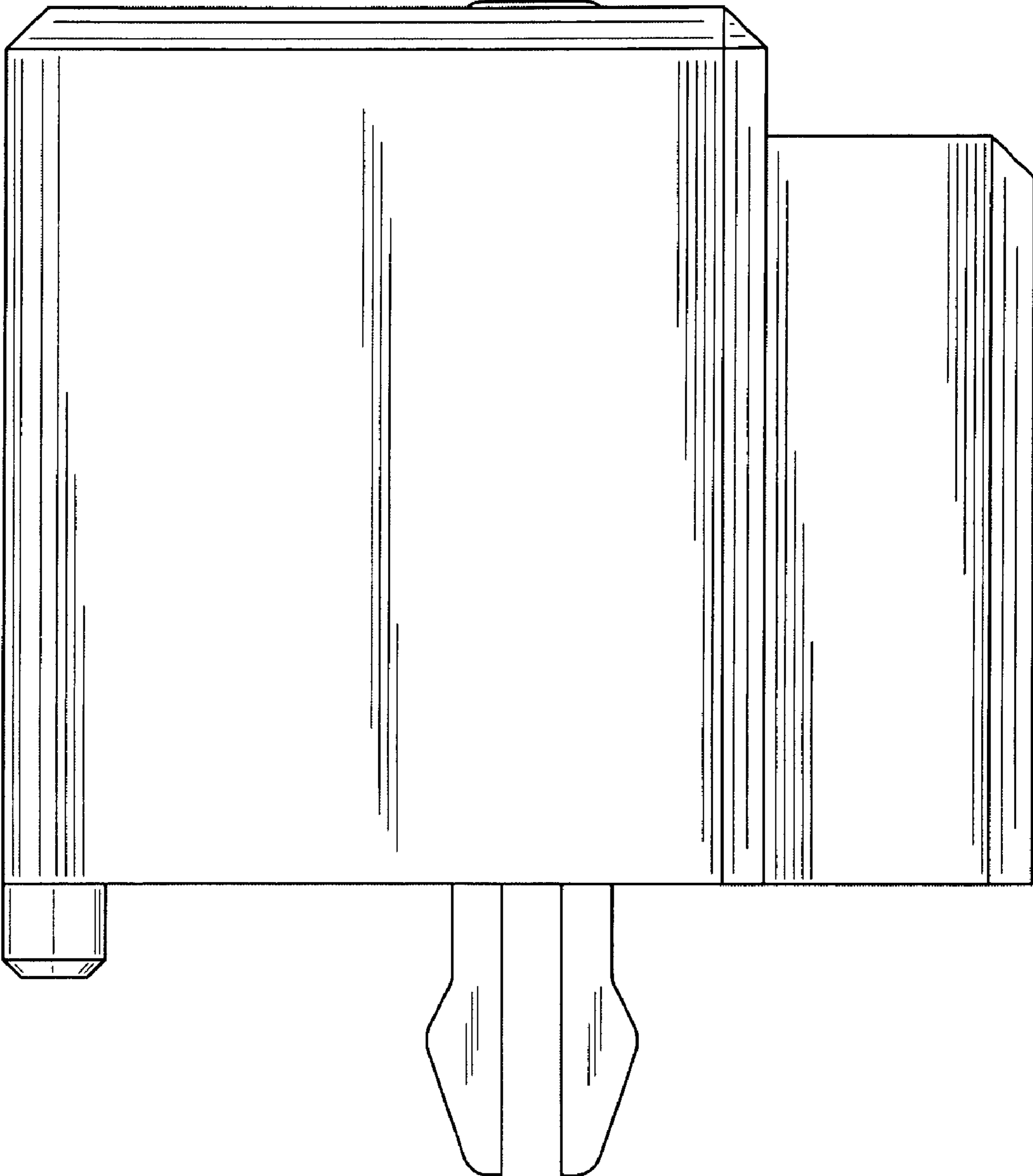


FIG.5

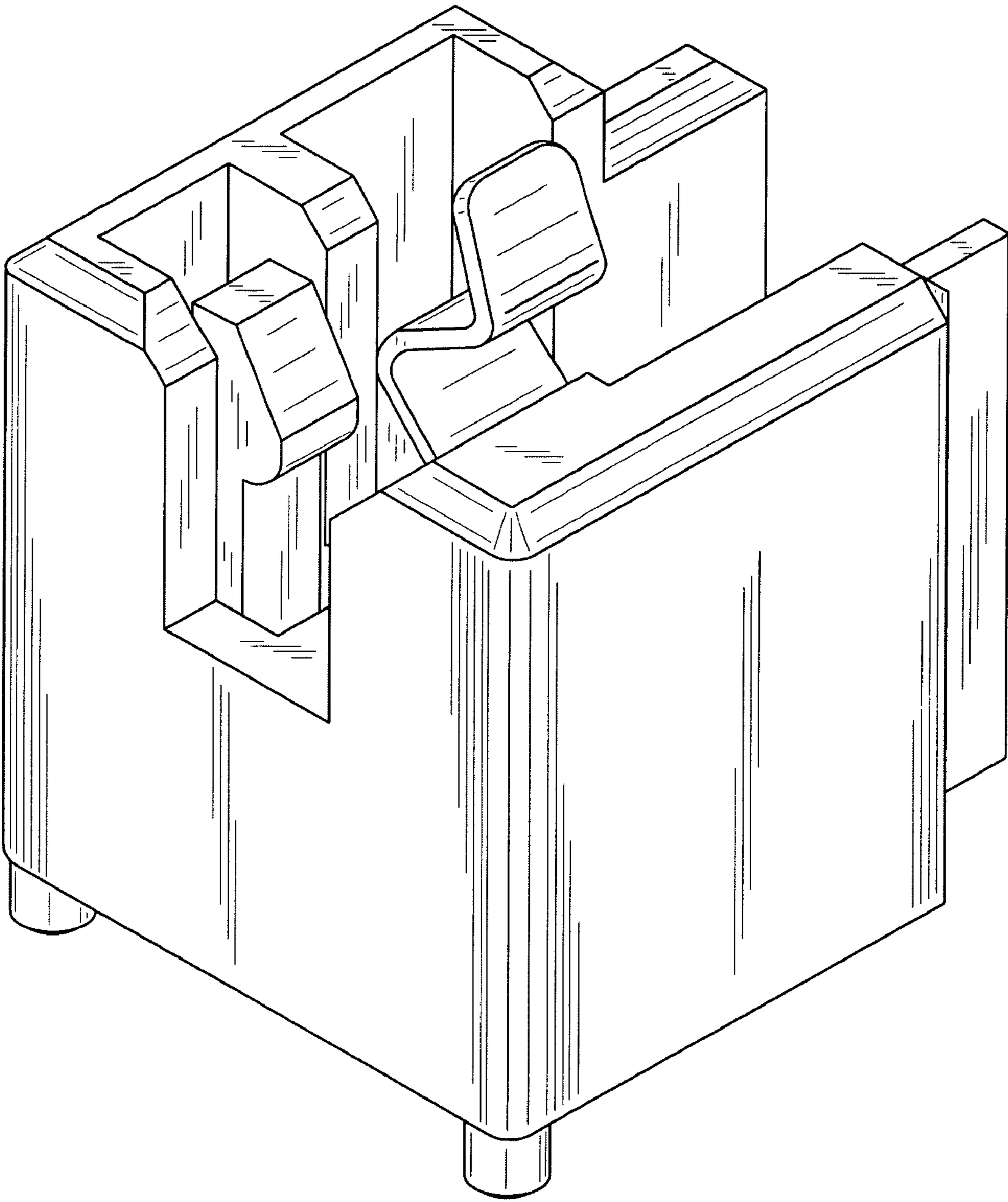


FIG.6

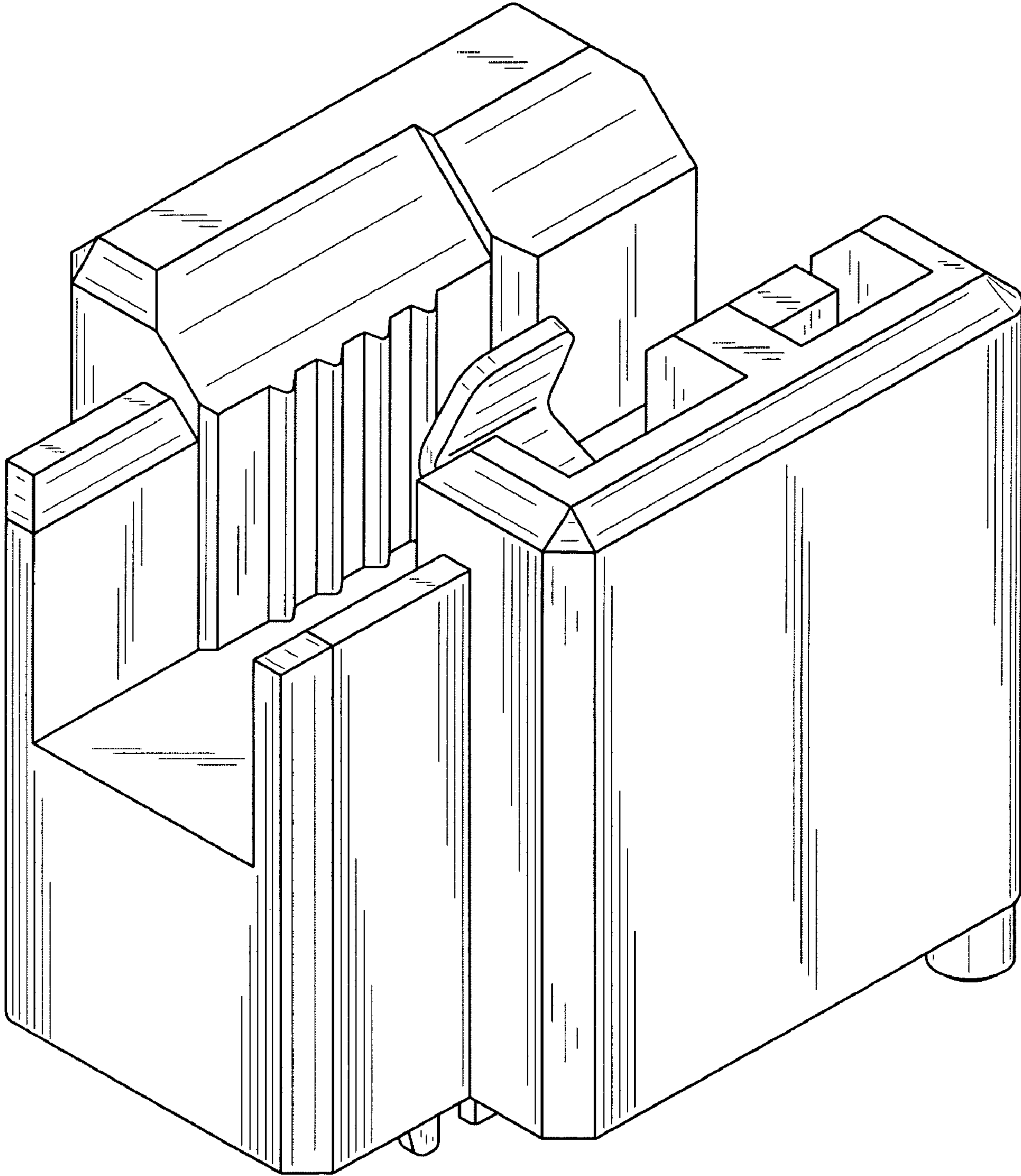


FIG.7

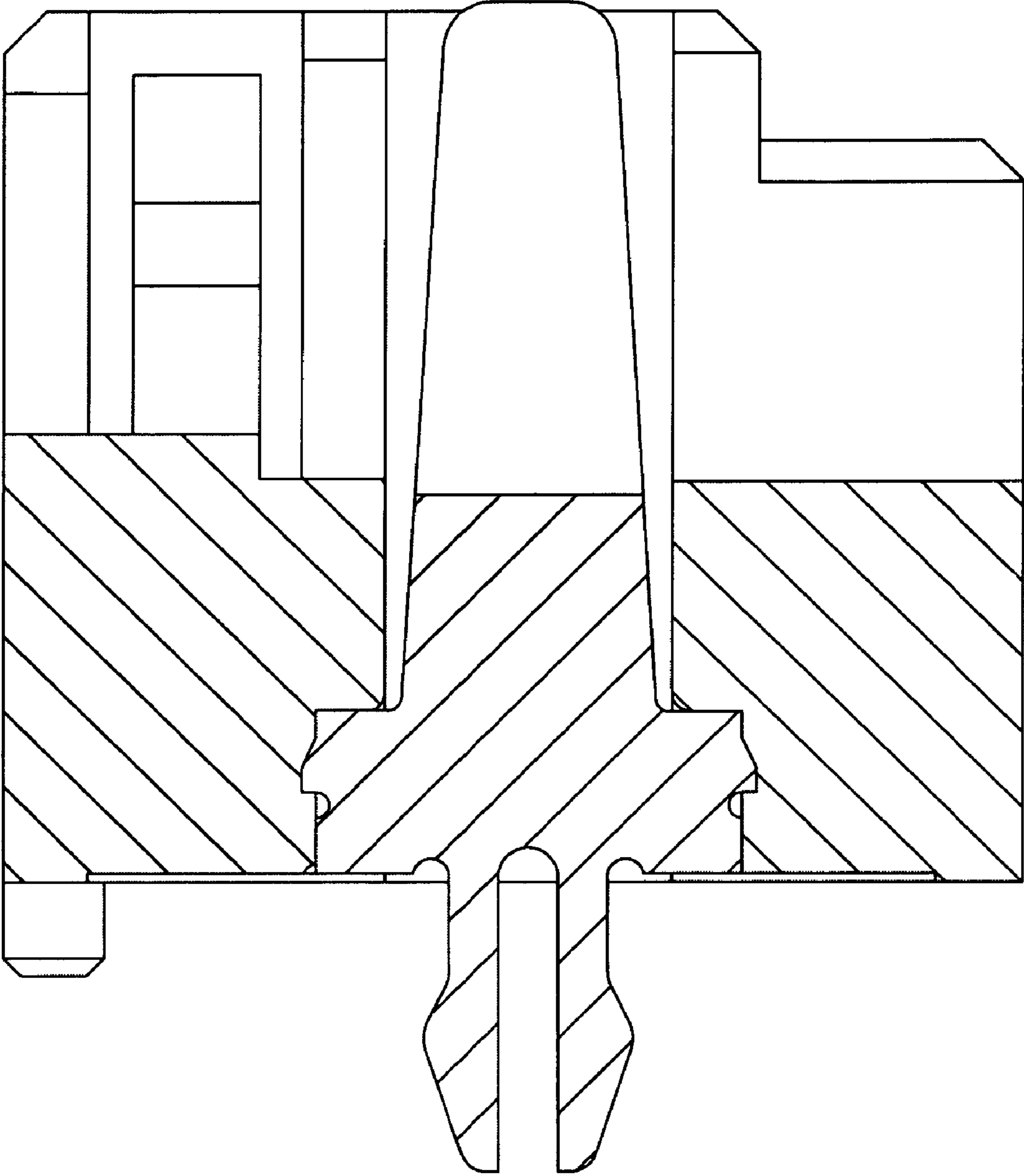
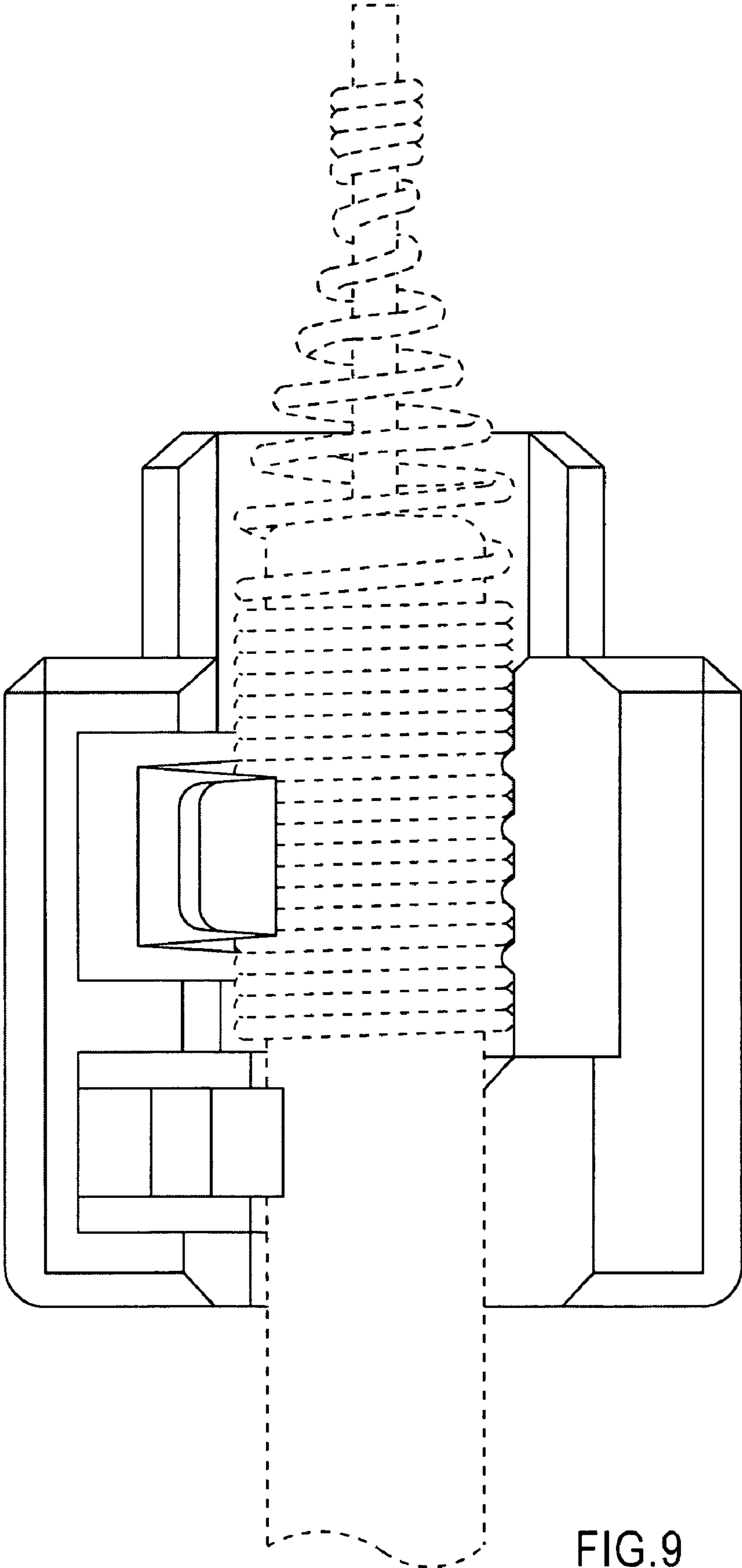


FIG. 8



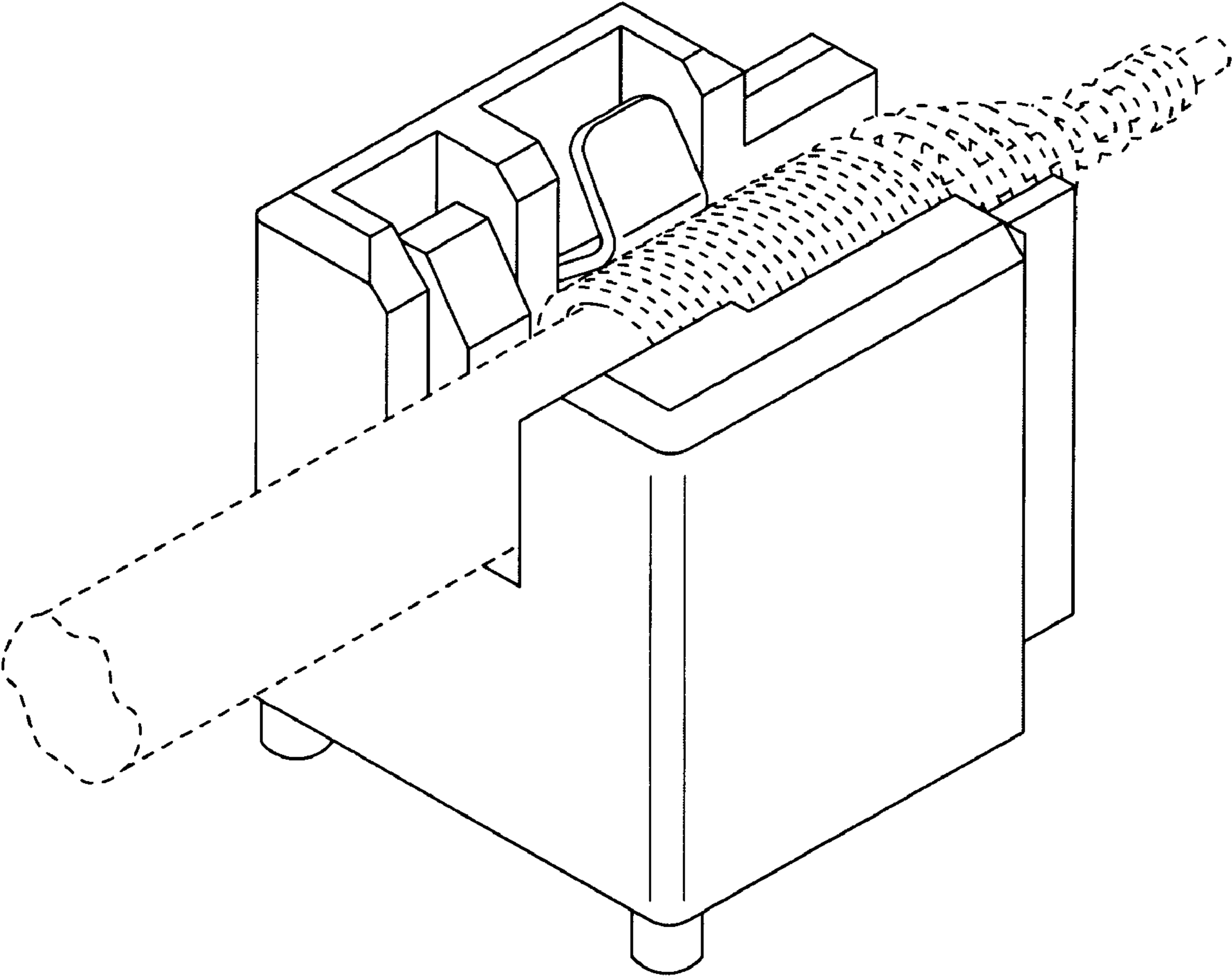


FIG.10