



US00D594415S

(12) **United States Design Patent**
Shitakata

(10) **Patent No.:** **US D594,415 S**
(45) **Date of Patent:** **** Jun. 16, 2009**

(54) **ELECTRICAL CONNECTOR**

(75) Inventor: **Norio Shitakata**, Tokyo (JP)

(73) Assignee: **SMK Corporation**, Tokyo (JP)

(**) Term: **14 Years**

(21) Appl. No.: **29/327,139**

(22) Filed: **Oct. 31, 2008**

(30) **Foreign Application Priority Data**

May 2, 2008 (JP) 2008-011260

(51) **LOC (9) Cl.** **13-03**

(52) **U.S. Cl.** **D13/133**

(58) **Field of Classification Search** D13/133,
D13/146, 147, 154, 184, 199; 439/278, 607,
439/668, 669, 894

See application file for complete search history.

(56) **References Cited**

U.S. PATENT DOCUMENTS

4,778,240	A *	10/1988	Komatsu	385/88
D312,613	S *	12/1990	Shichida	D13/133
5,919,052	A *	7/1999	Ho	439/83
D420,642	S *	2/2000	Wu	D13/133
D533,504	S *	12/2006	Lee	D13/133
D558,144	S *	12/2007	Chien et al.	D13/133
2006/0063409	A1 *	3/2006	Wang	439/188
2007/0072488	A1 *	3/2007	Xue et al.	439/544

* cited by examiner

Primary Examiner—Daniel D Bui

Assistant Examiner—Thomas J Johannes

(74) *Attorney, Agent, or Firm*—Darby & Darby PC

(57) **CLAIM**

The ornamental design for an electrical connector, as shown and described.

DESCRIPTION

FIG. 1 is a front elevational view of my new design for an electrical connector;

FIG. 2 is a rear elevational view thereof;

FIG. 3 is a top plan view thereof;

FIG. 4 is a bottom plan view thereof;

FIG. 5 is a right side elevational view thereof;

FIG. 6 is a left side elevational view thereof;

FIG. 7 is a perspective view thereof as seen from the top, front and right sides;

FIG. 8 is a perspective view thereof as seen from the bottom, rear and left sides; and,

FIG. 9 is a sectional view thereof taken along line 9—9 of FIG. 1.

The broken line portion of the figure drawings is included to show unclaimed subject matter only and forms no part of the claimed design.

1 Claim, 4 Drawing Sheets

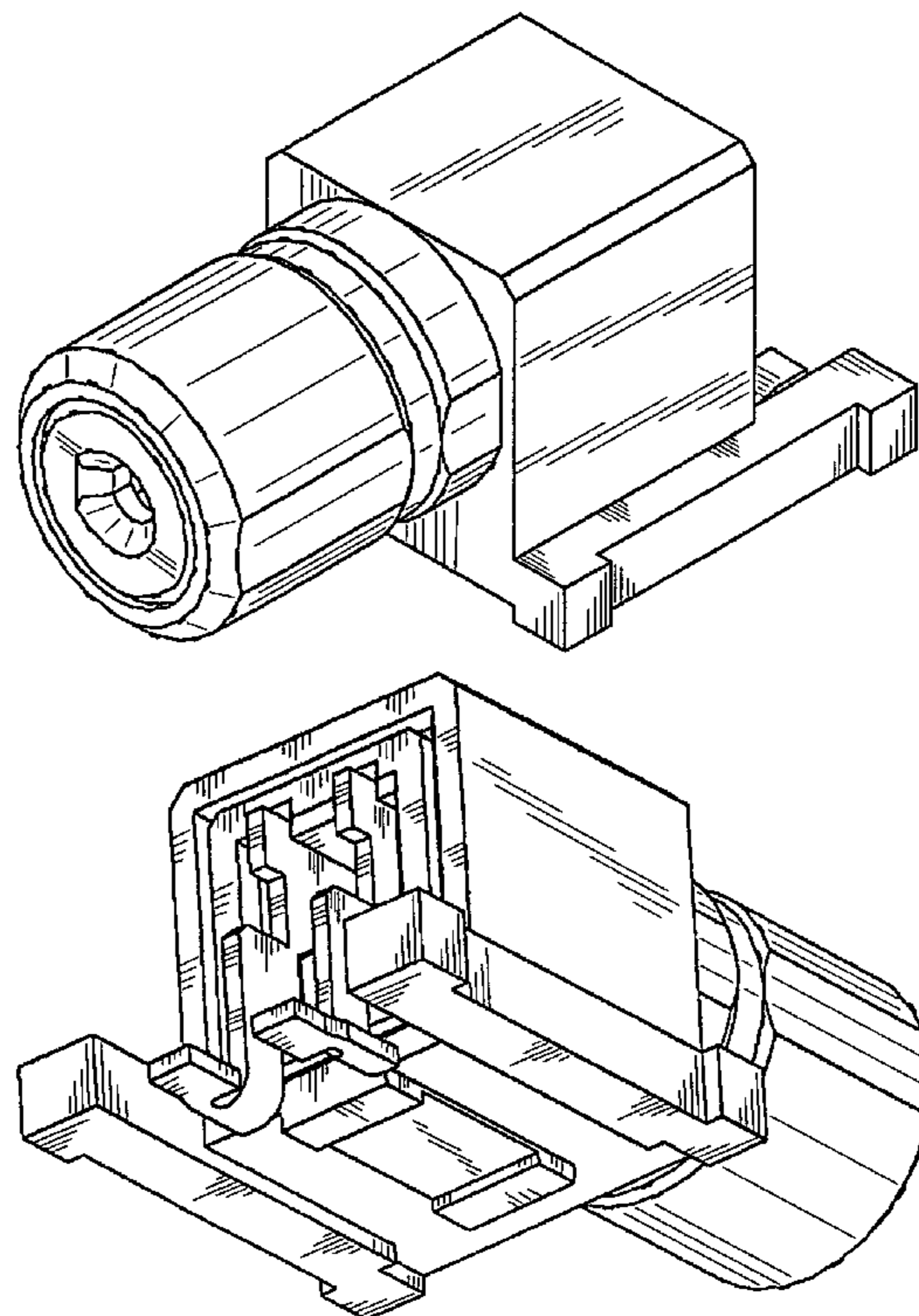


Figure 1

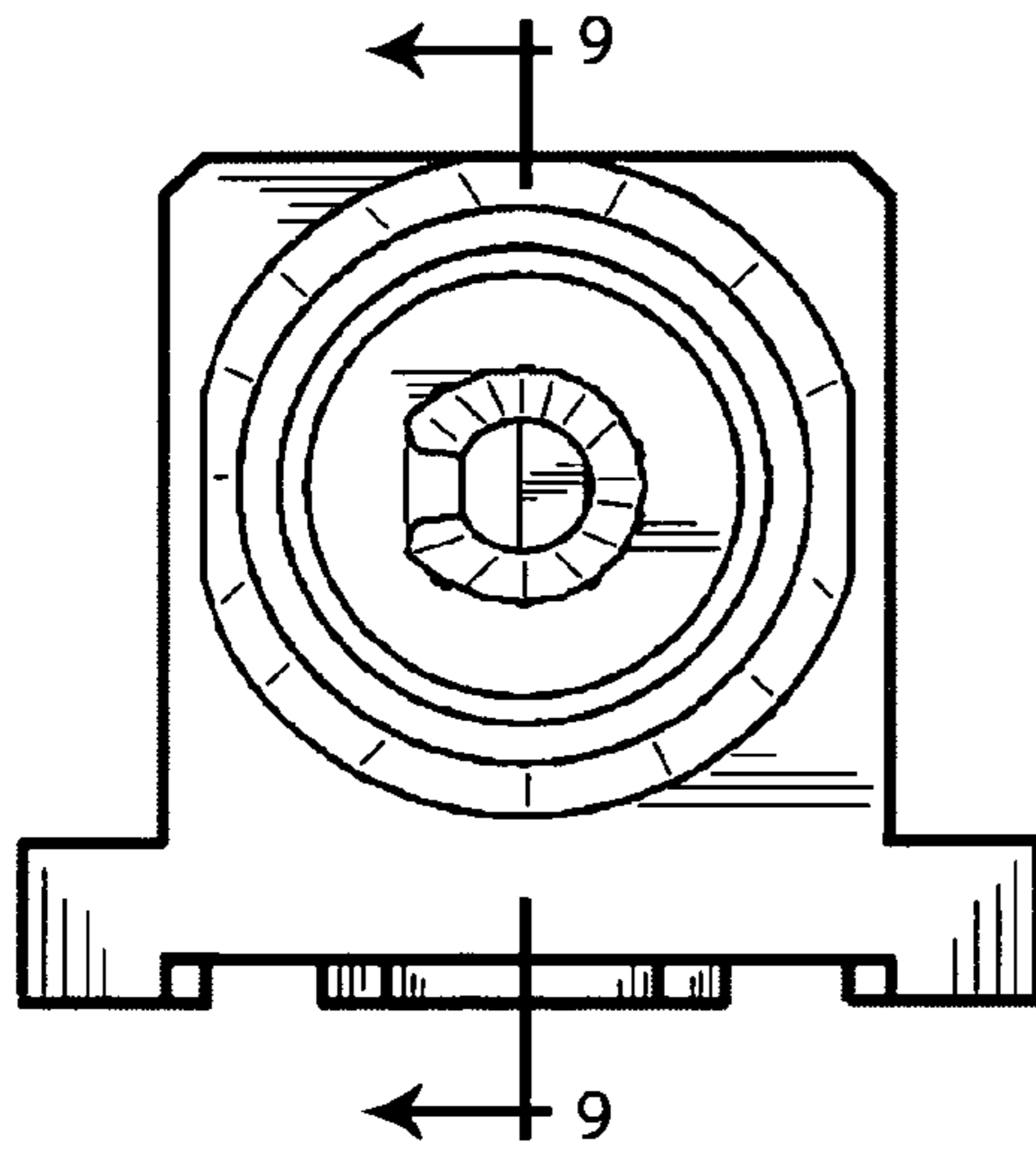


Figure 2

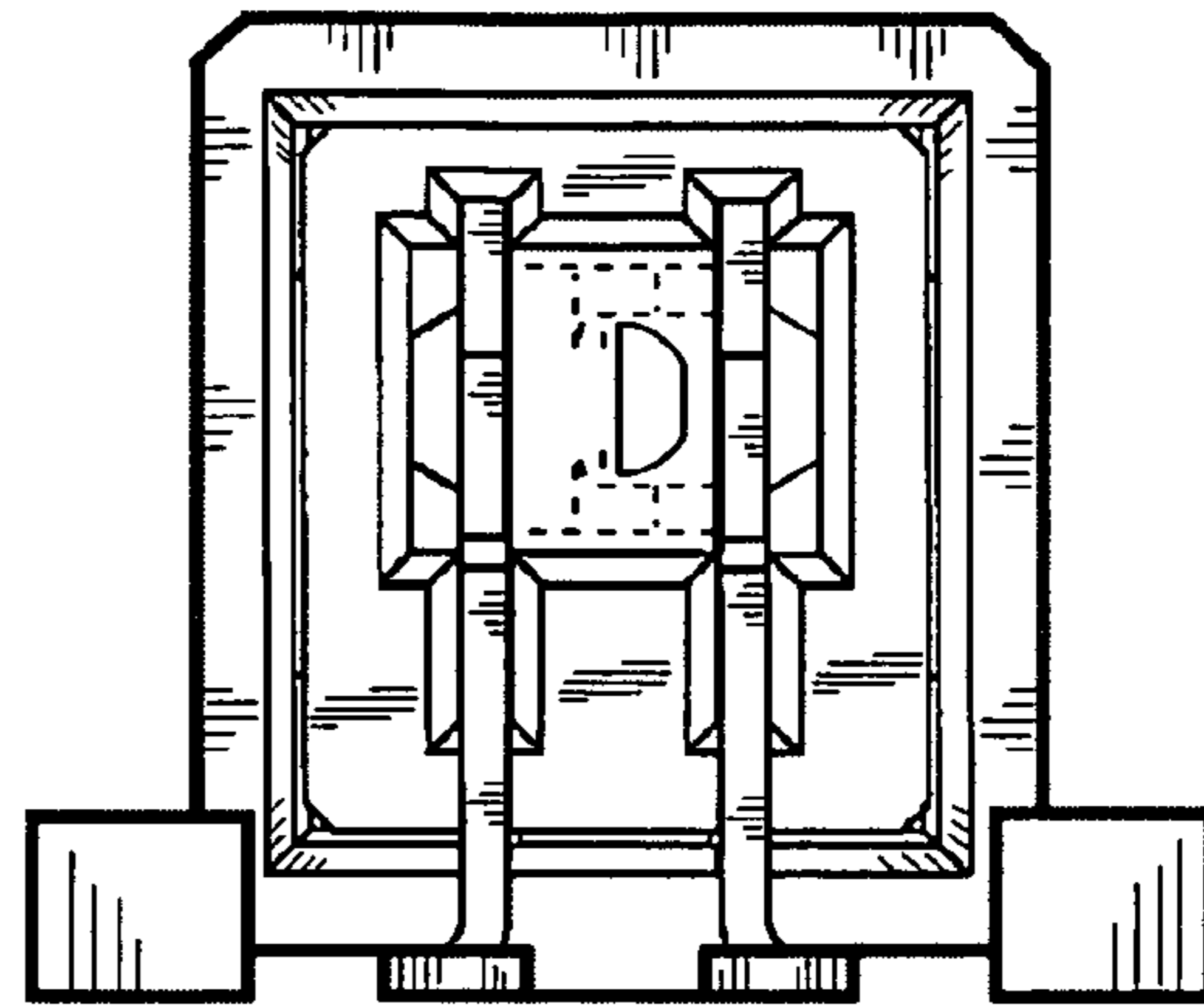


Figure 3

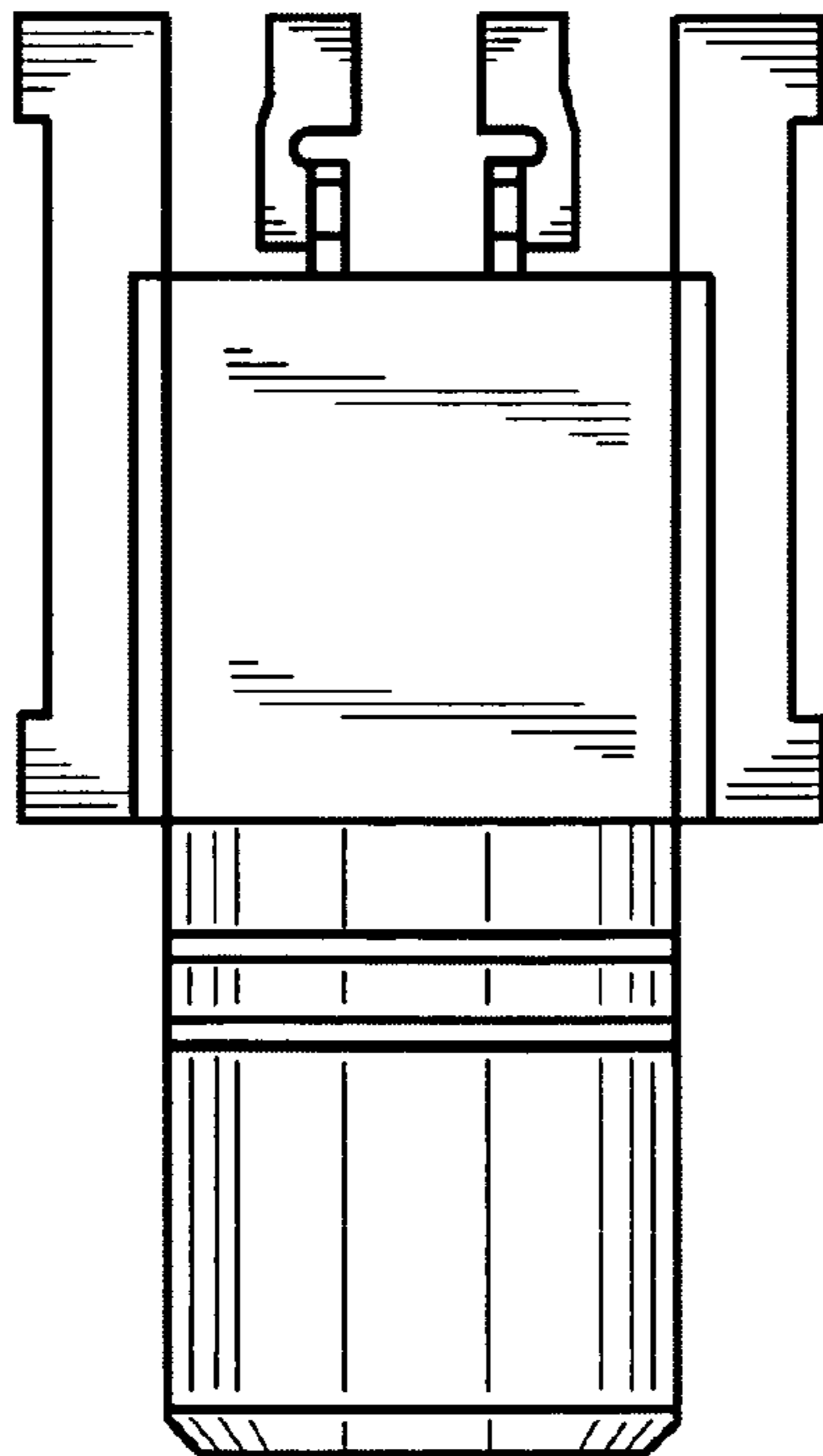


Figure 4

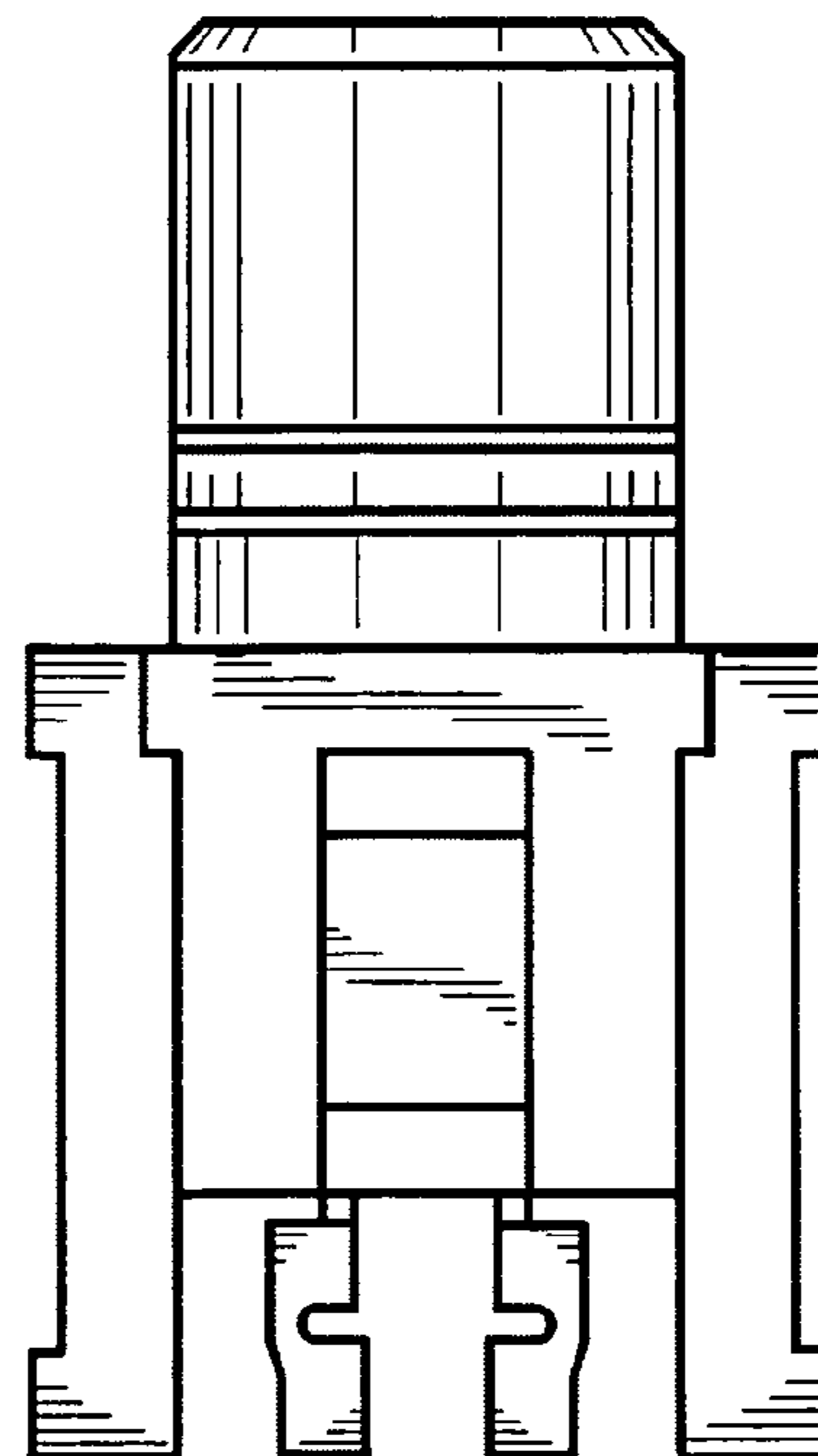


Figure 5

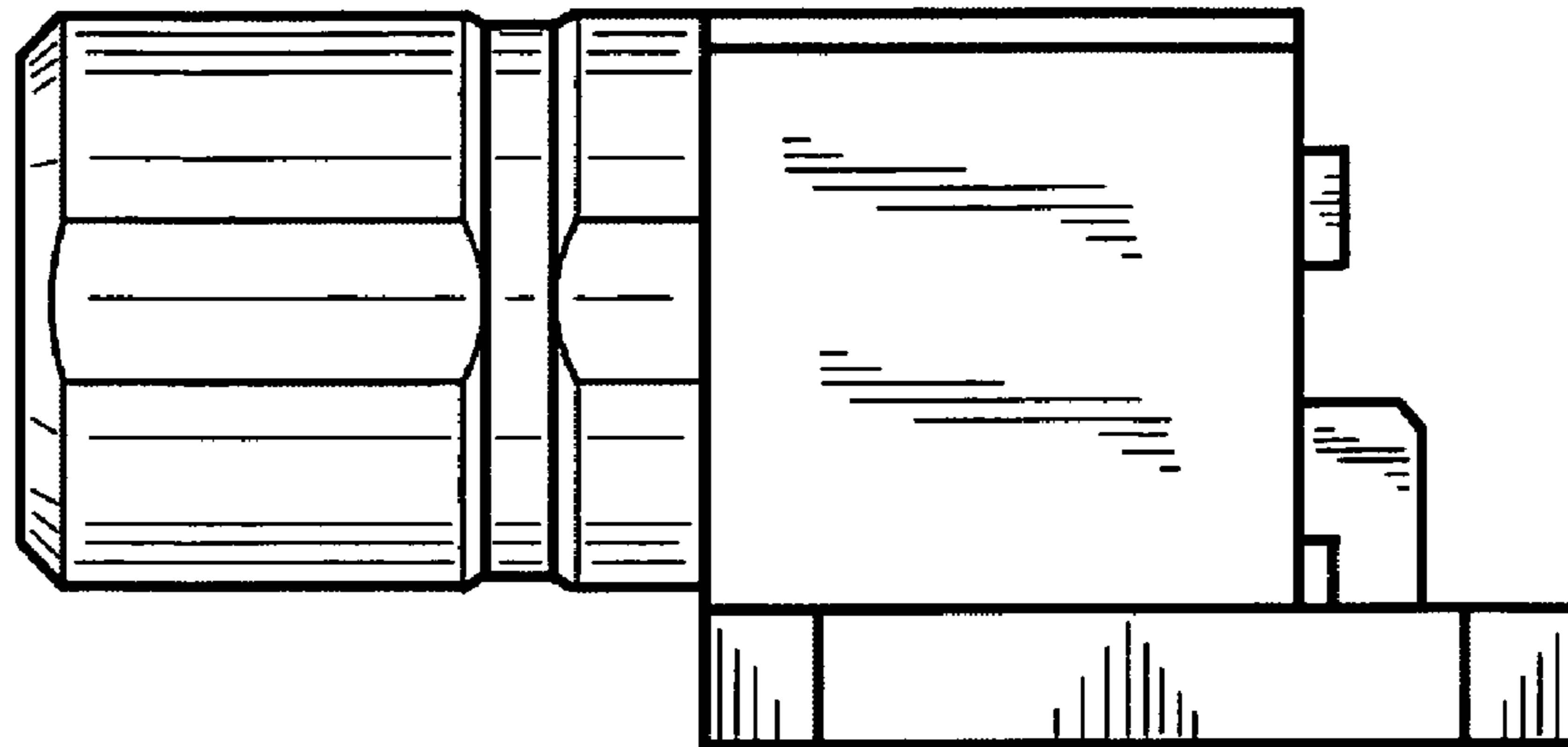


Figure 6

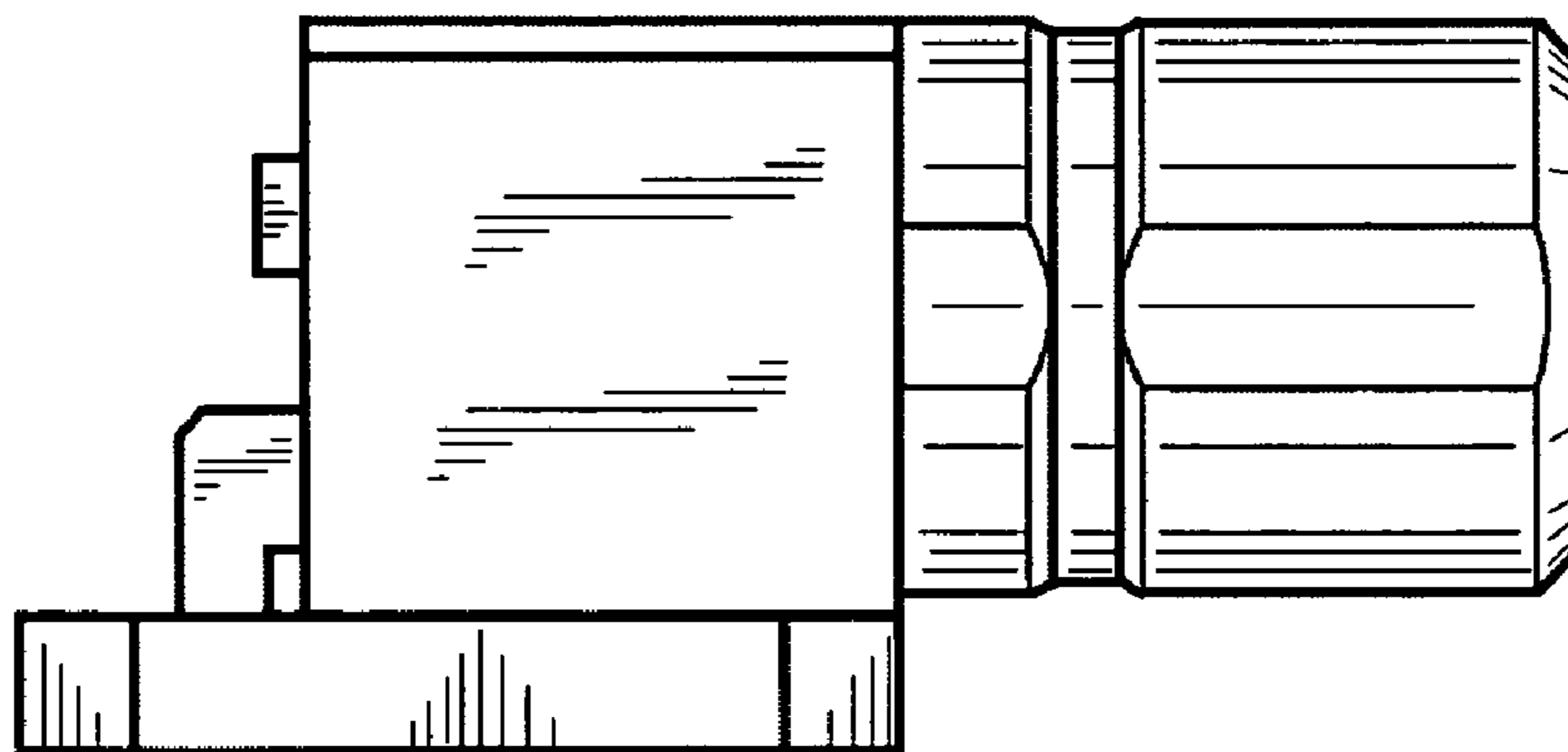


Figure 7

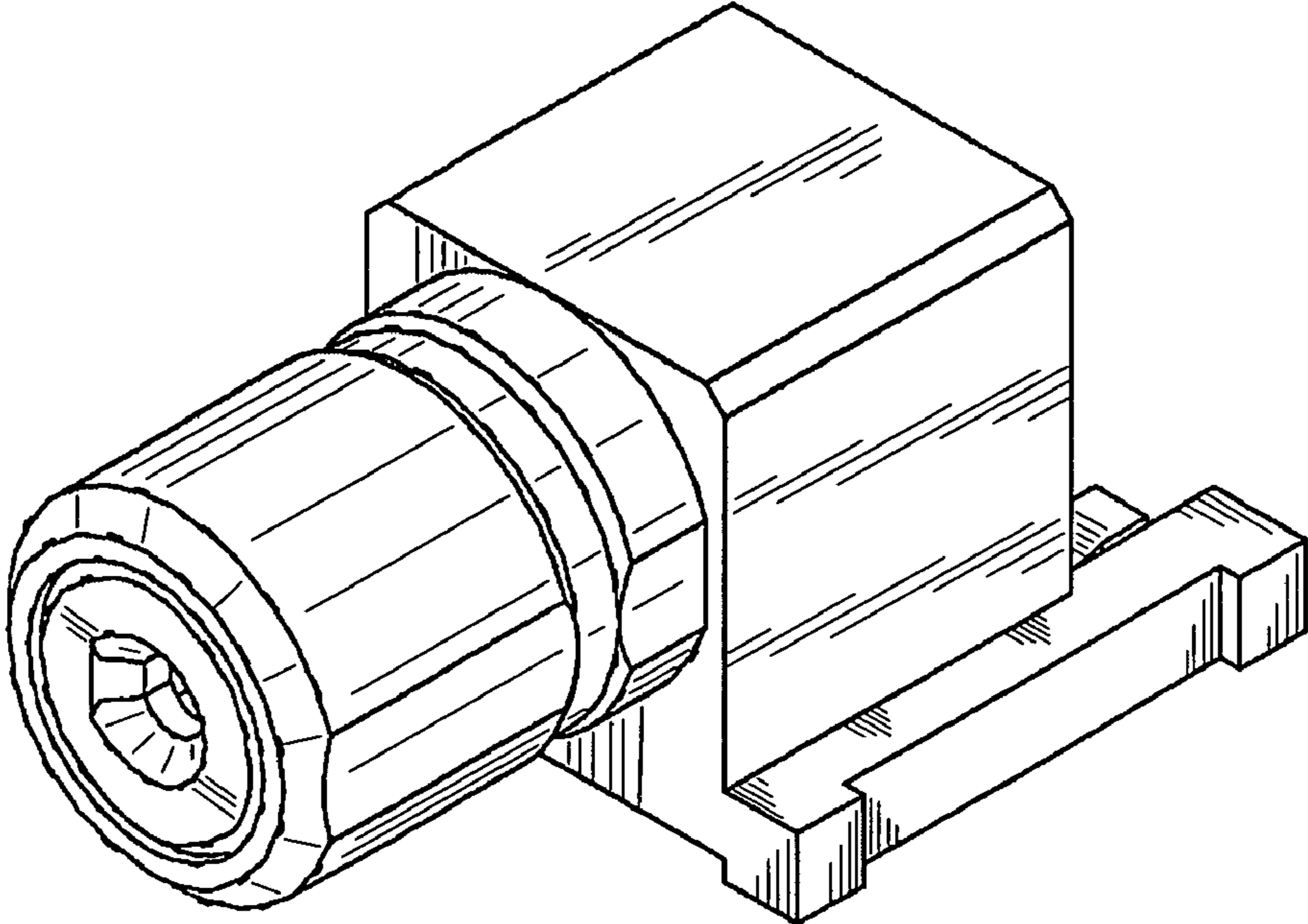


Figure 8

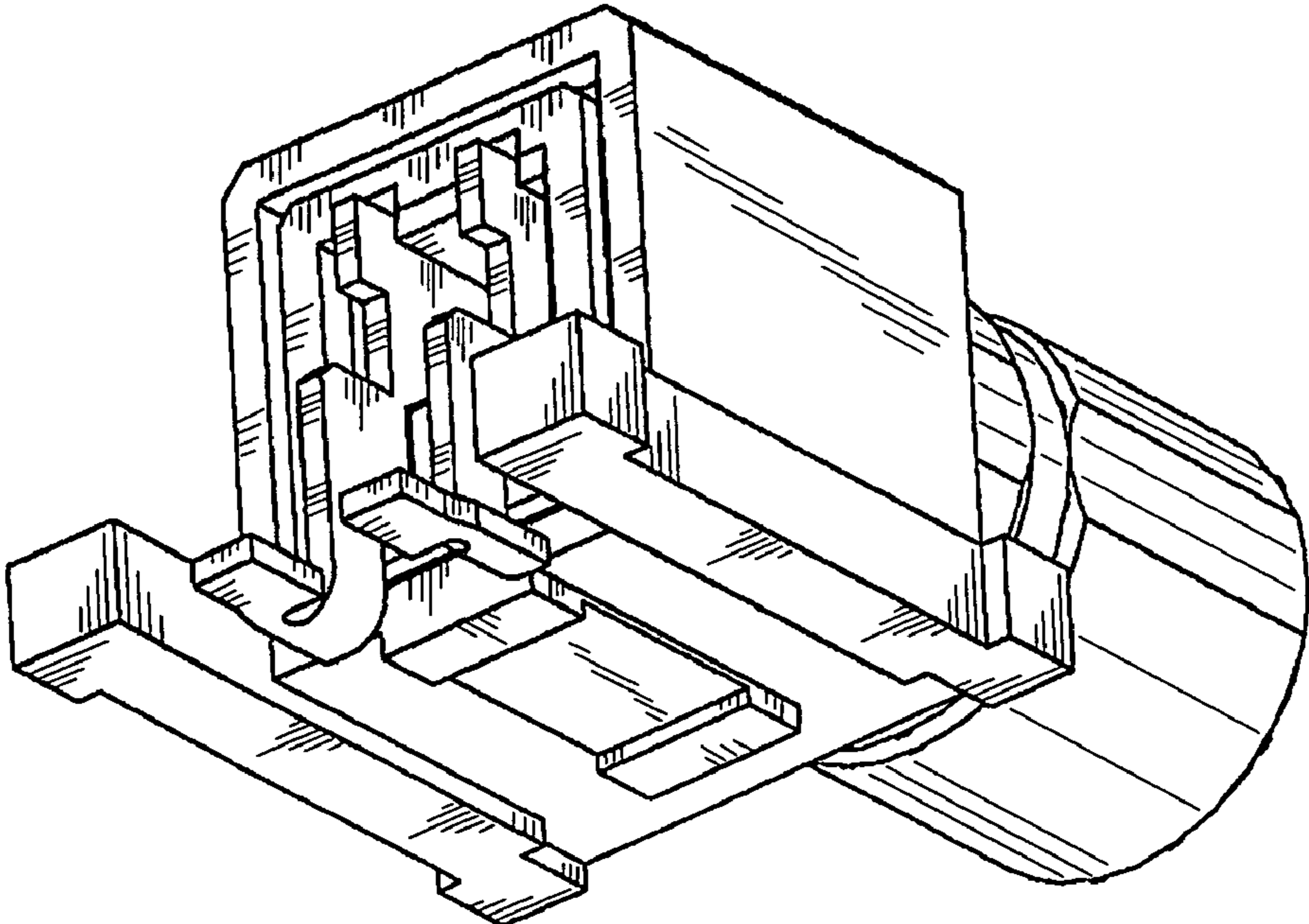


Figure 9

