



US00D594413S

(12) **United States Design Patent**
Palka et al.

(10) **Patent No.:** **US D594,413 S**
(45) **Date of Patent:** **** Jun. 16, 2009**

(54) **MOUNTING FRAME FOR CONNECTORS OF DATA TELECOMMUNICATION CABLES**

7,179,125 B2 * 2/2007 Chen et al. 439/607
D538,744 S * 3/2007 Hamada et al. D13/133
7,315,682 B1 * 1/2008 En Lin et al. 385/139

(75) Inventors: **Stefanie Palka**, Blumberg (DE); **Rolf Sticker**, Donaueschingen (DE)

* cited by examiner

(73) Assignee: **MC Technology GmbH**, Blumberg (DE)

Primary Examiner—Daniel D Bui
Assistant Examiner—Thomas J Johannes

(**) Term: **14 Years**

(74) *Attorney, Agent, or Firm*—The Nath Law Group; Jerald L. Meyer; Stanley N. Protigal

(21) Appl. No.: **29/274,142**

(57) **CLAIM**

(22) Filed: **Mar. 30, 2007**

The ornamental design for a mounting frame for connectors of data telecommunication cables, as shown and described.

(30) **Foreign Application Priority Data**

Oct. 11, 2006 (DE) 4 06 05 239

DESCRIPTION

(51) **LOC (9) Cl.** **13-03**

(52) **U.S. Cl.** **D13/133**

(58) **Field of Classification Search** D13/133,
D13/134, 146, 147, 149, 154, 184, 199; 439/353,
439/488, 586, 620, 682, 685, 752
See application file for complete search history.

FIG. 1 is a perspective view of a mounting frame for connectors of data telecommunication cables, showing our new design;

FIG. 2. is a top view thereof;

FIG. 3. is a right side view thereof;

FIG. 4. is a left side view thereof;

FIG. 5. is a front view thereof;

FIG. 6. is a rear view thereof; and,

FIG. 7. is a bottom view thereof.

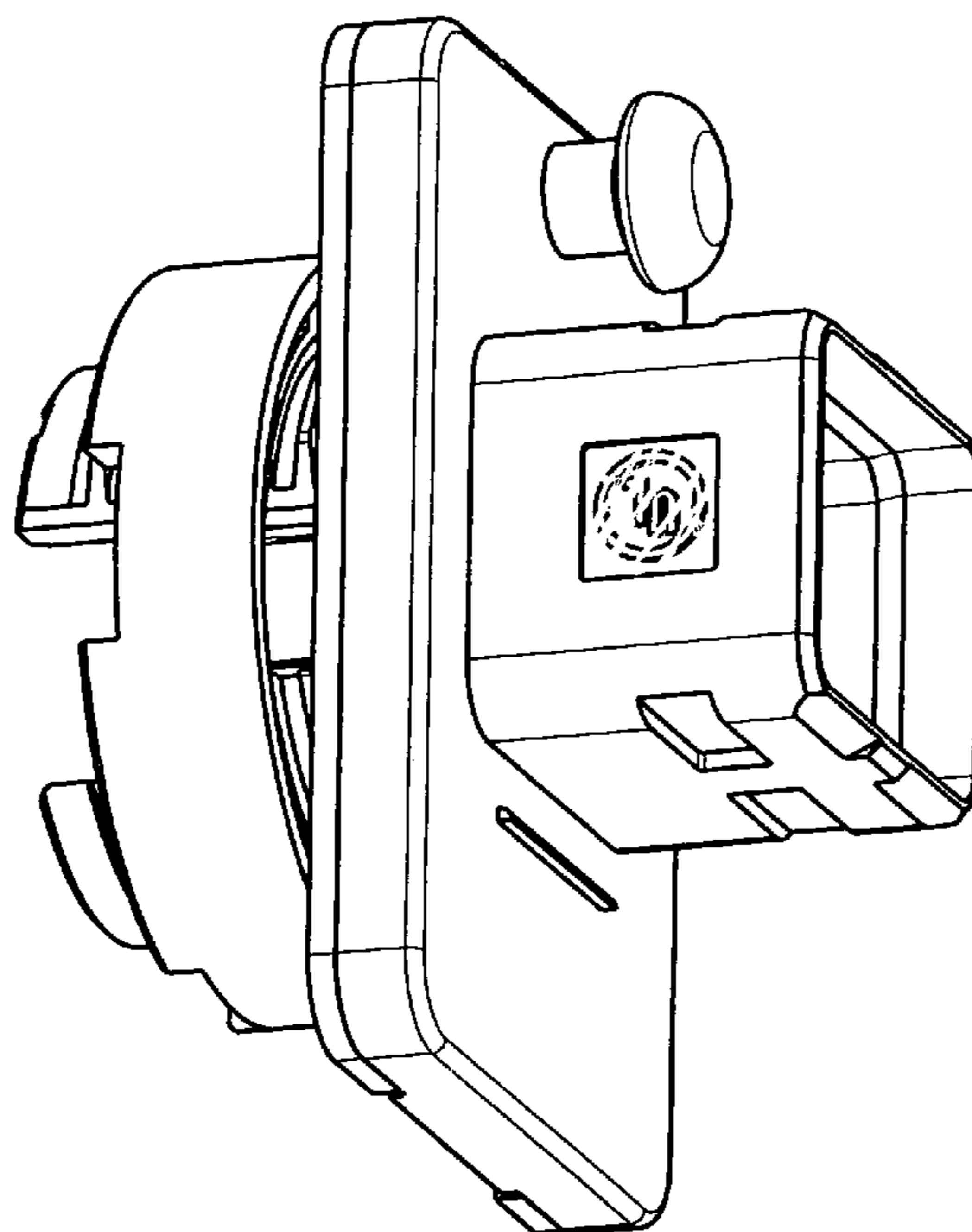
The broken line portion of the figure drawings is included to show unclaimed subject matter within the central shaft of the design and also on the underside corners of the design; subject matter defined with broken line forms no part of the claimed design.

(56) **References Cited**

U.S. PATENT DOCUMENTS

5,042,891 A * 8/1991 Mulholland et al. 385/93
5,180,315 A * 1/1993 Nagashima 439/581
6,115,915 A * 9/2000 Kawase 29/881
6,312,285 B1 * 11/2001 Berg et al. 439/545
D454,113 S * 3/2002 Ikeda et al. D13/133
6,582,132 B1 * 6/2003 Farnsworth et al. 385/53
6,923,484 B2 * 8/2005 Braun et al. 293/155
7,029,322 B2 * 4/2006 Ernst et al. 439/544
D535,946 S * 1/2007 Hayashi et al. D13/133

1 Claim, 7 Drawing Sheets



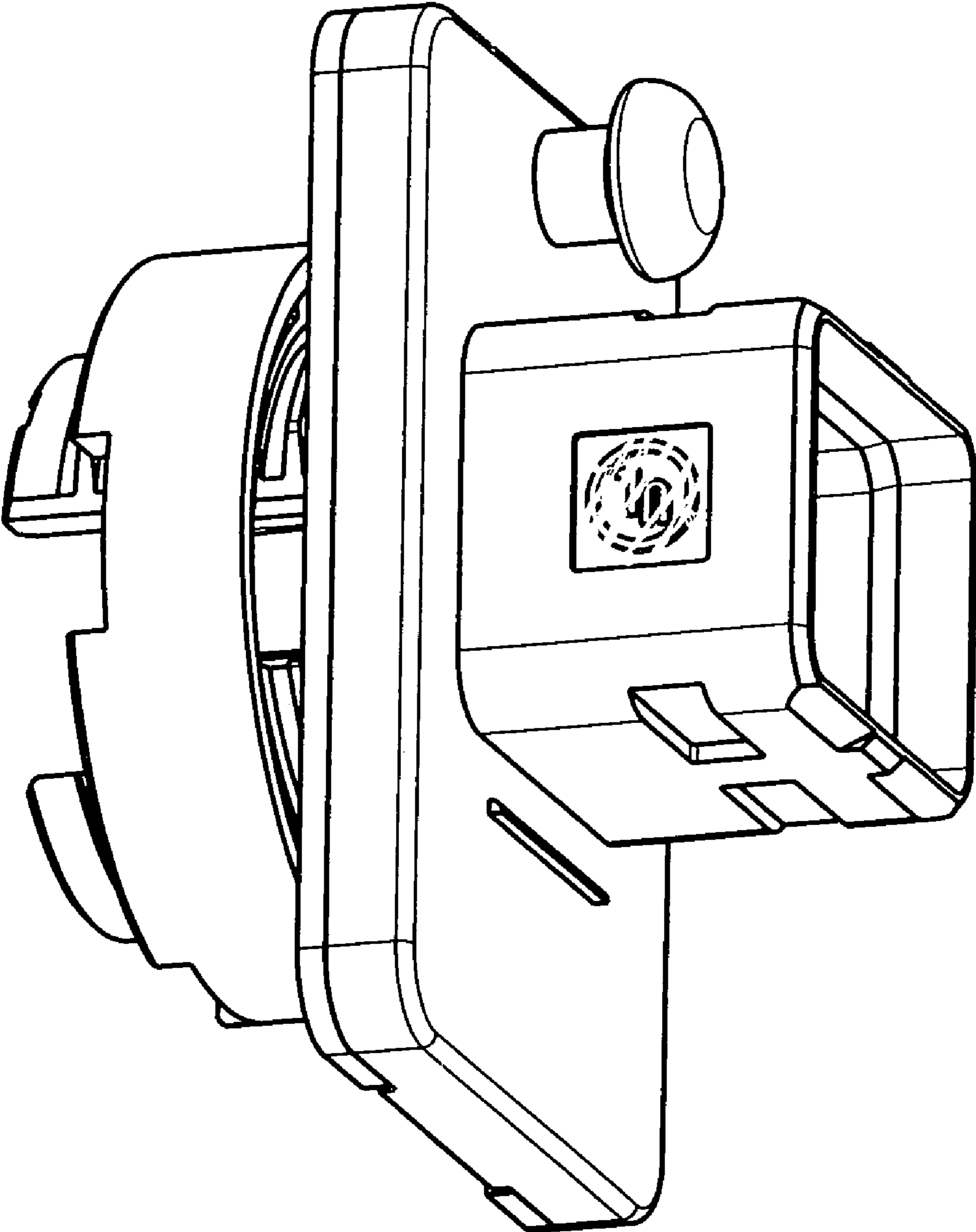


Fig. 1

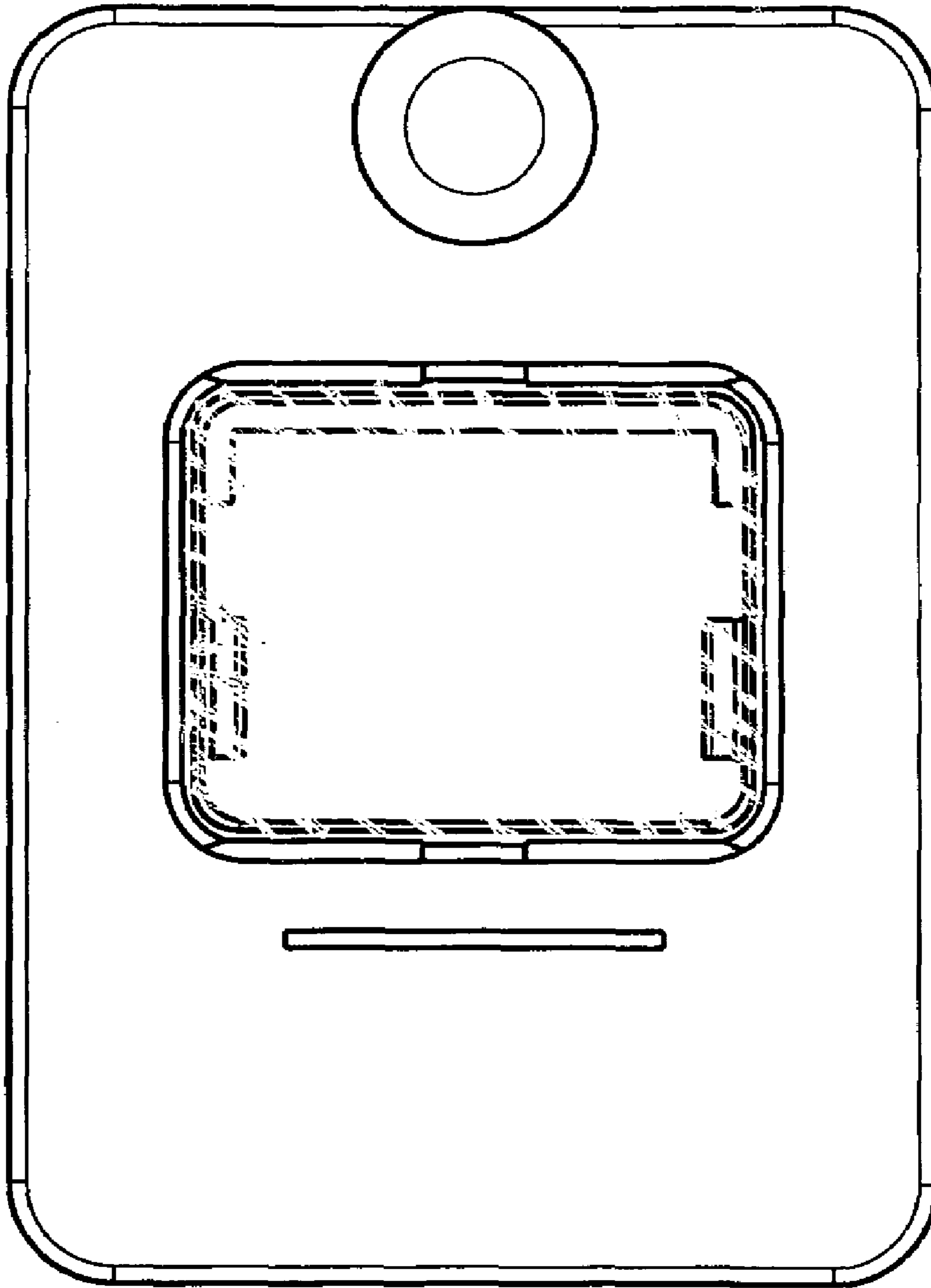


Fig. 2

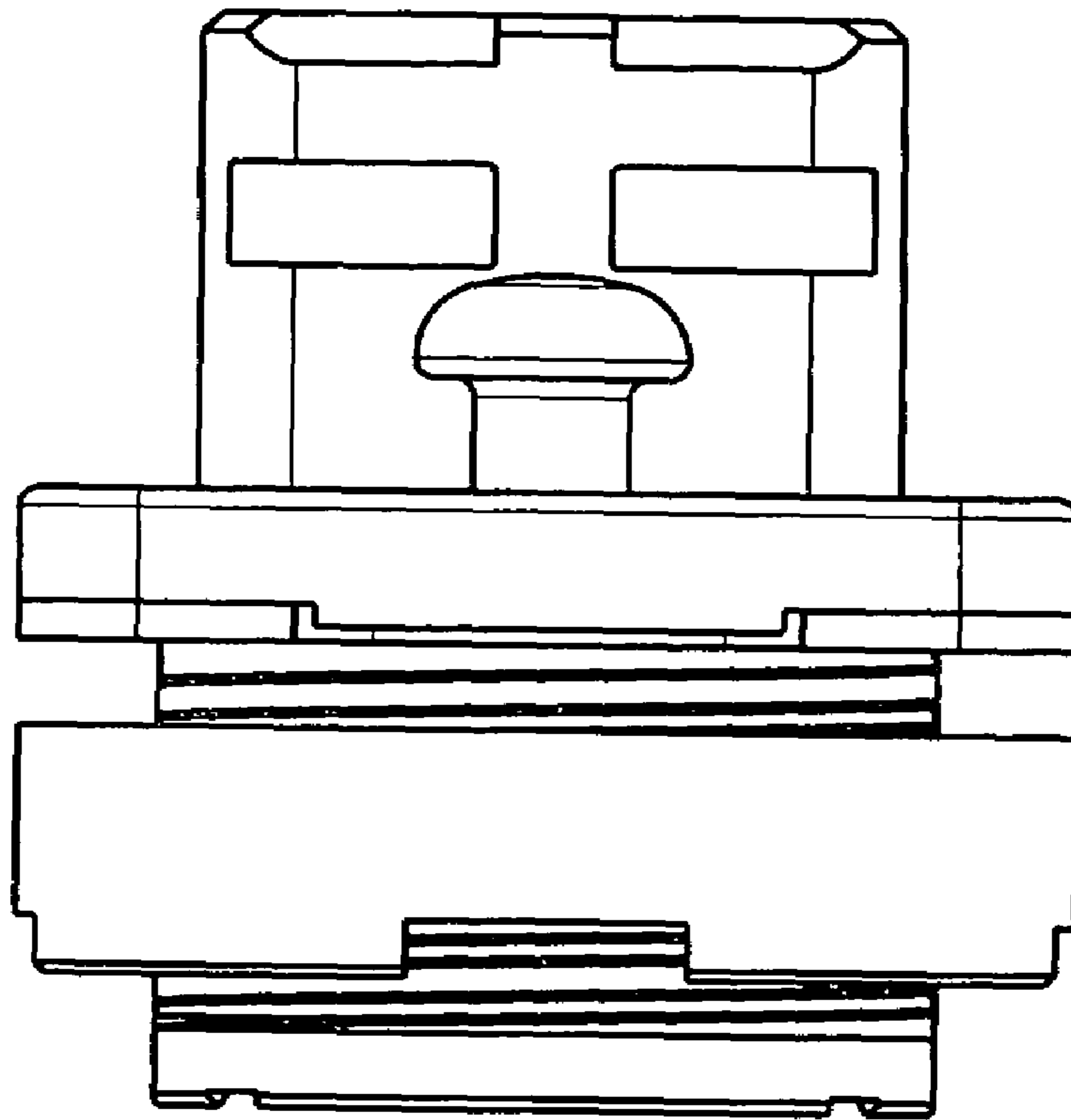


Fig. 3

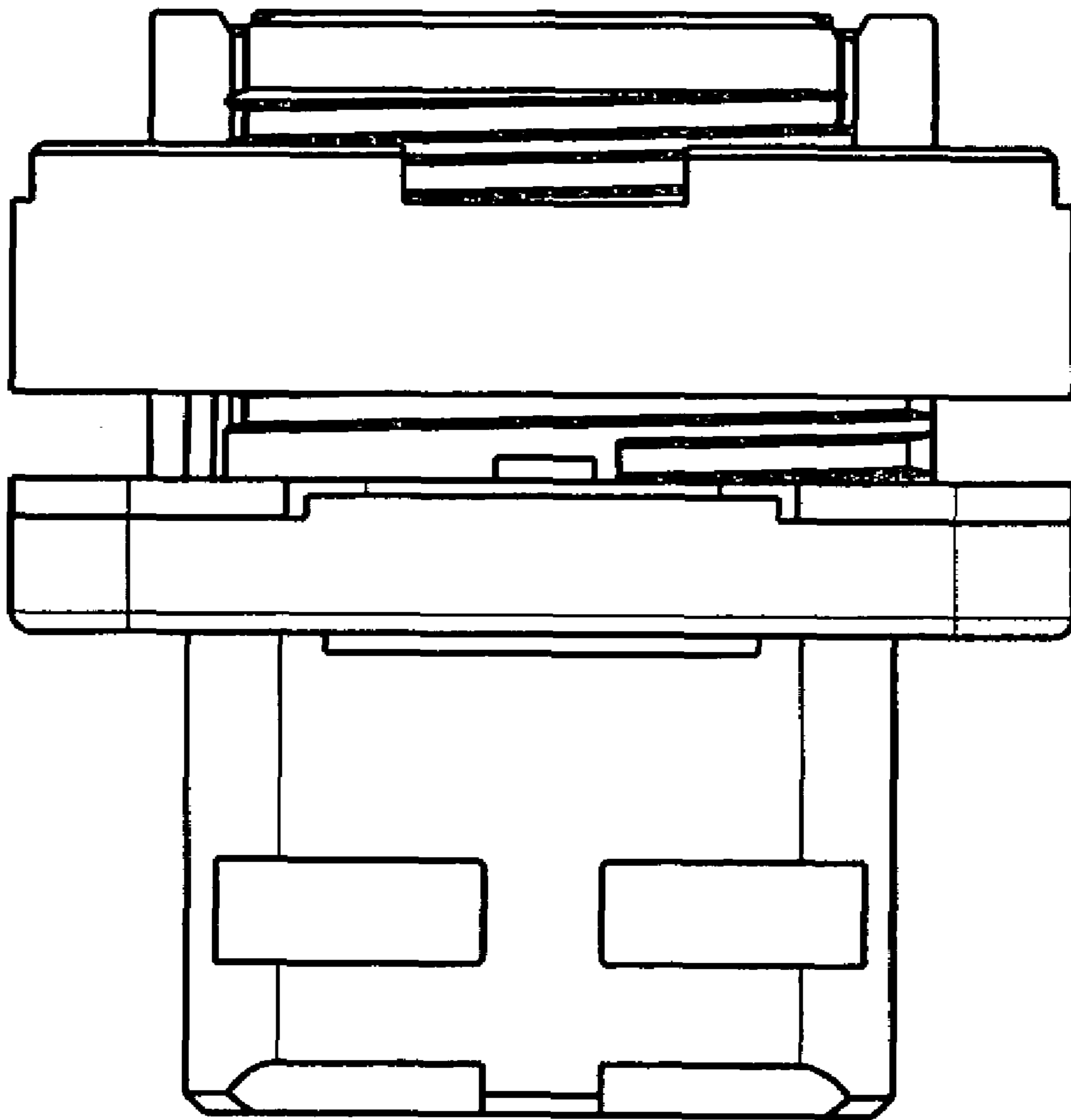


Fig. 4

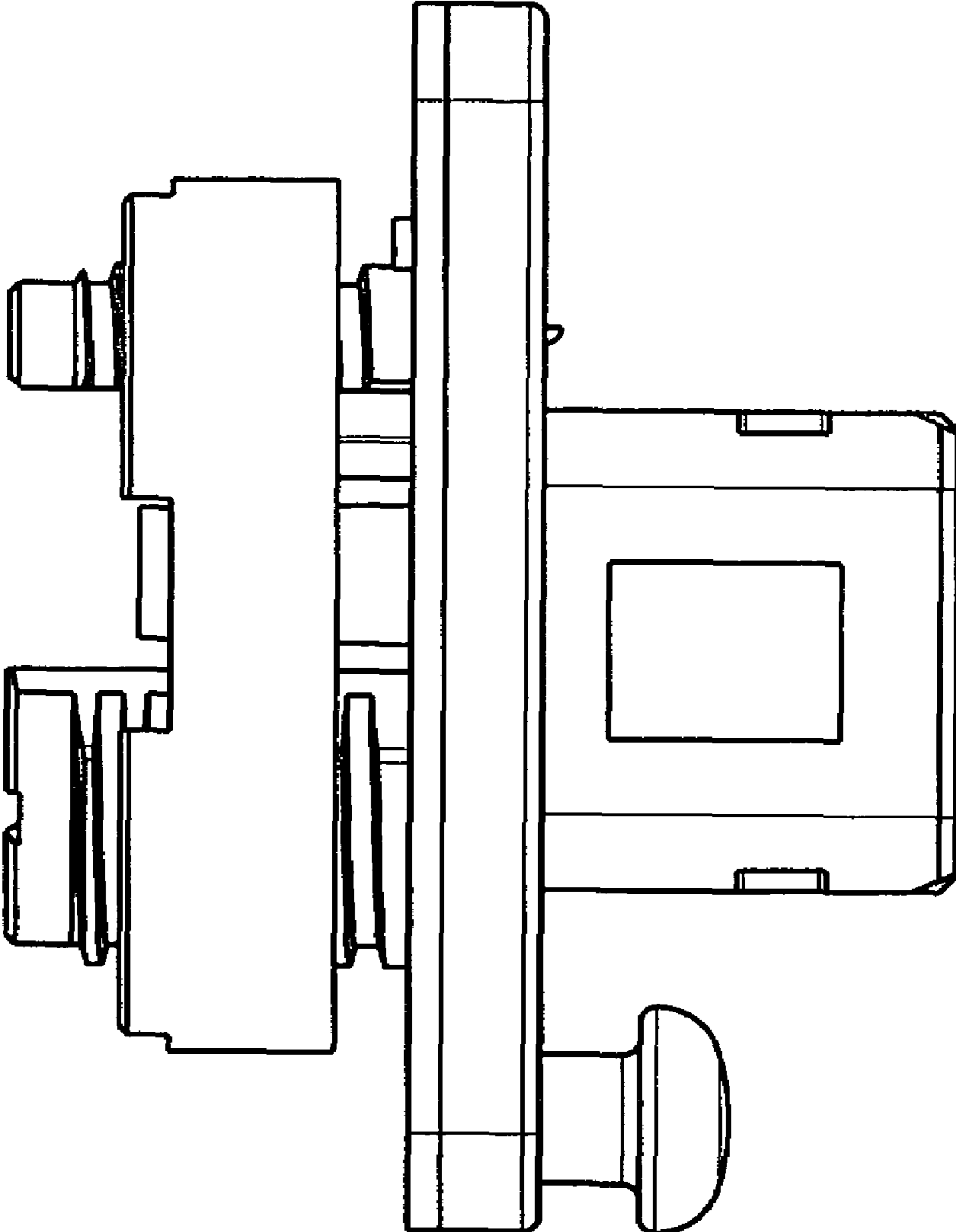


Fig. 5

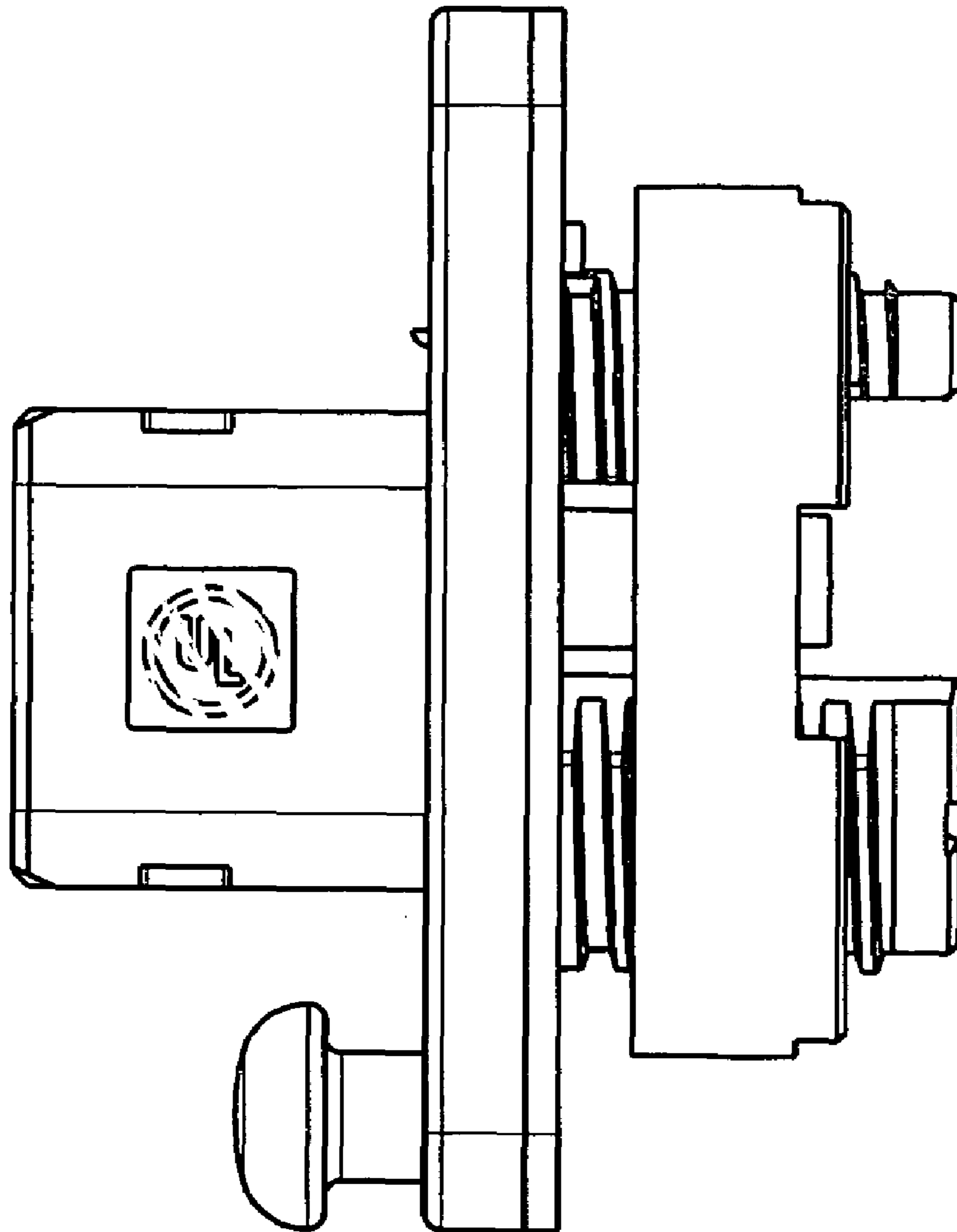


Fig. 6

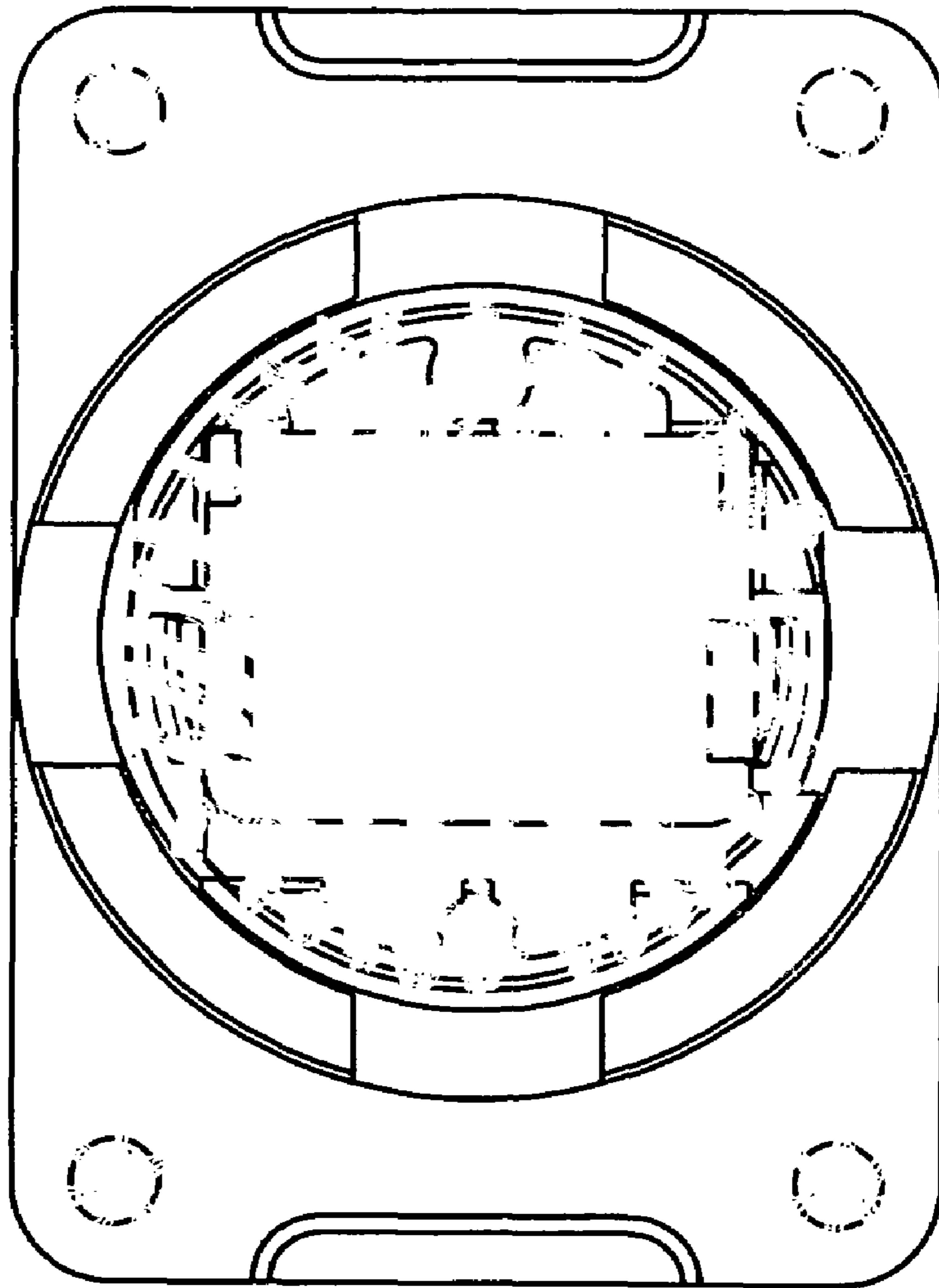


Fig. 7