



US00D594411S

(12) **United States Design Patent**
Mullen

(10) **Patent No.:** **US D594,411 S**
(45) **Date of Patent:** **** Jun. 16, 2009**

(54) **MULTI-VOLTAGE ELECTRICAL TRANSFORMER**

(76) Inventor: **Nate Mullen**, 1240 Simpson Way,
Escondido, CA (US) 92029

(**) Term: **14 Years**

(21) Appl. No.: **29/324,118**

(22) Filed: **Sep. 5, 2008**

(51) **LOC (9) Cl.** **13-02**

(52) **U.S. Cl.** **D13/110**

(58) **Field of Classification Search** D13/110,
D13/101, 118, 124, 184, 199; 174/52 R;
220/4.02; 336/94, 98, 107, 192; 363/153,
363/171

See application file for complete search history.

(56) **References Cited**

U.S. PATENT DOCUMENTS

3,760,314	A *	9/1973	Krasienko et al.	336/192
D245,325	S *	8/1977	Lindquist	D10/116
D289,033	S *	3/1987	Makinson et al.	D13/110
D348,868	S *	7/1994	Terlop et al.	D13/110
D357,458	S *	4/1995	Tisbo	D13/118

* cited by examiner

Primary Examiner—Prabhakar Deshmukh

Assistant Examiner—Derrick Holland

(74) *Attorney, Agent, or Firm*—Kelly Lowry & Kelley, LLP

(57) **CLAIM**

The ornamental design for a multi-voltage electrical transformer, as shown and described.

DESCRIPTION

FIG. 1 is a perspective view of a multi-voltage electrical transformer showing my new design;

FIG. 2 is a perspective view thereof, shown in an open condition;

FIG. 3 is a front view thereof;

FIG. 4 is a back view thereof;

FIG. 5 is a right side view thereof;

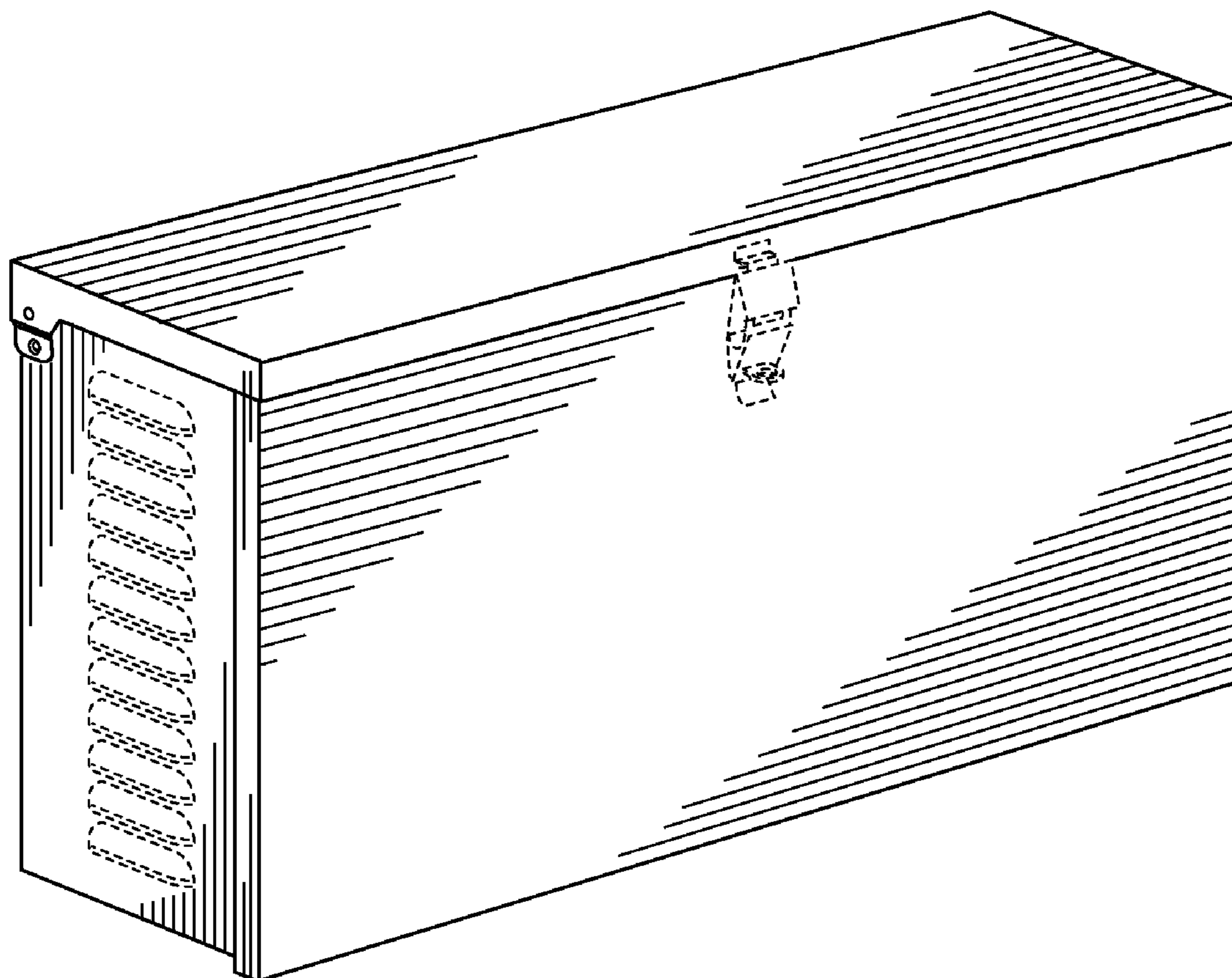
FIG. 6 is a left side view thereof;

FIG. 7 is a bottom plan view thereof; and,

FIG. 8 is a top plan view thereof.

The portions of the claim shown in broken lines form no part of the claimed design. The broken lines adjacent to the shaded areas represent the boundaries of the design. None of the broken lines form any part of the claimed design.

1 Claim, 3 Drawing Sheets



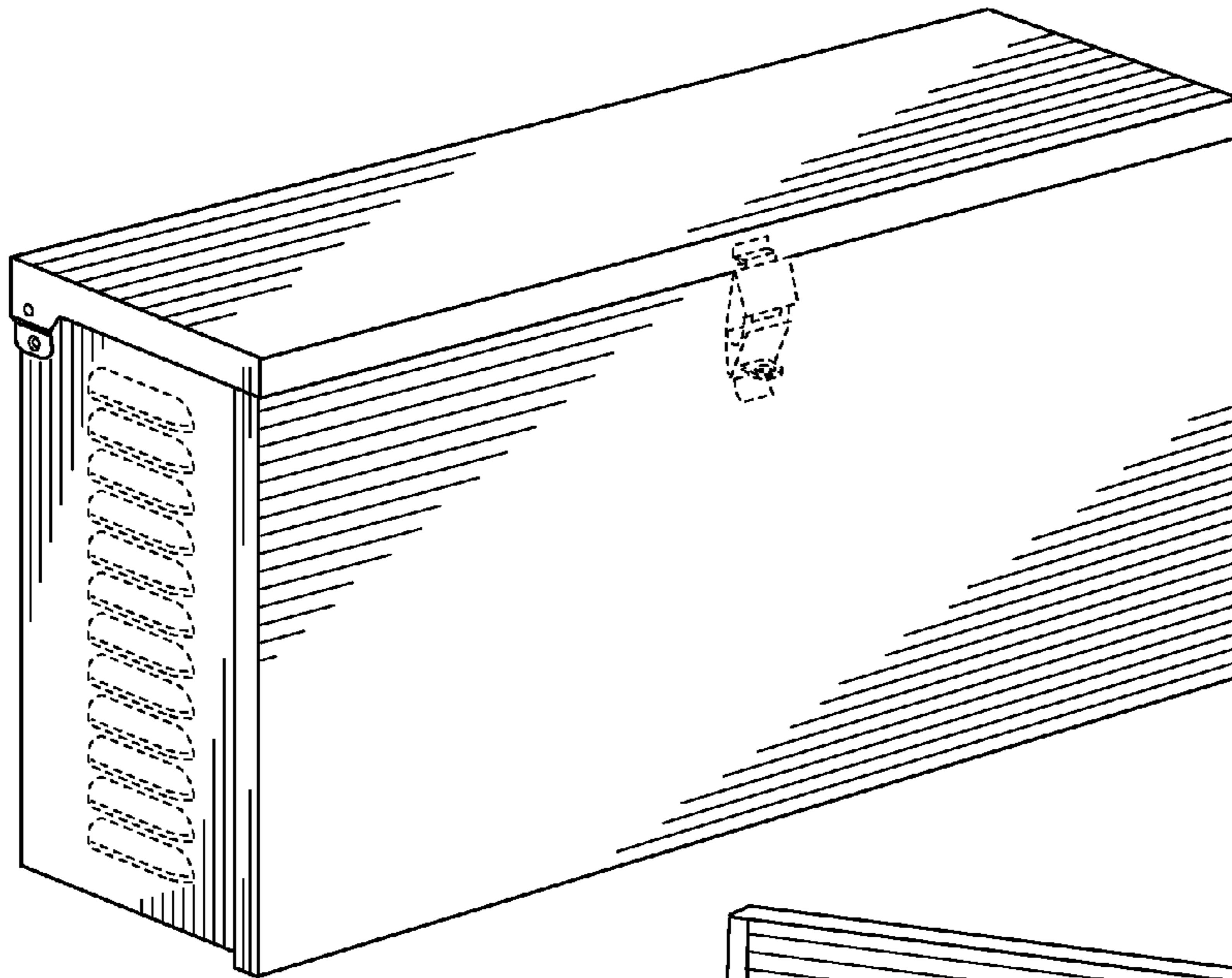


FIG. 1

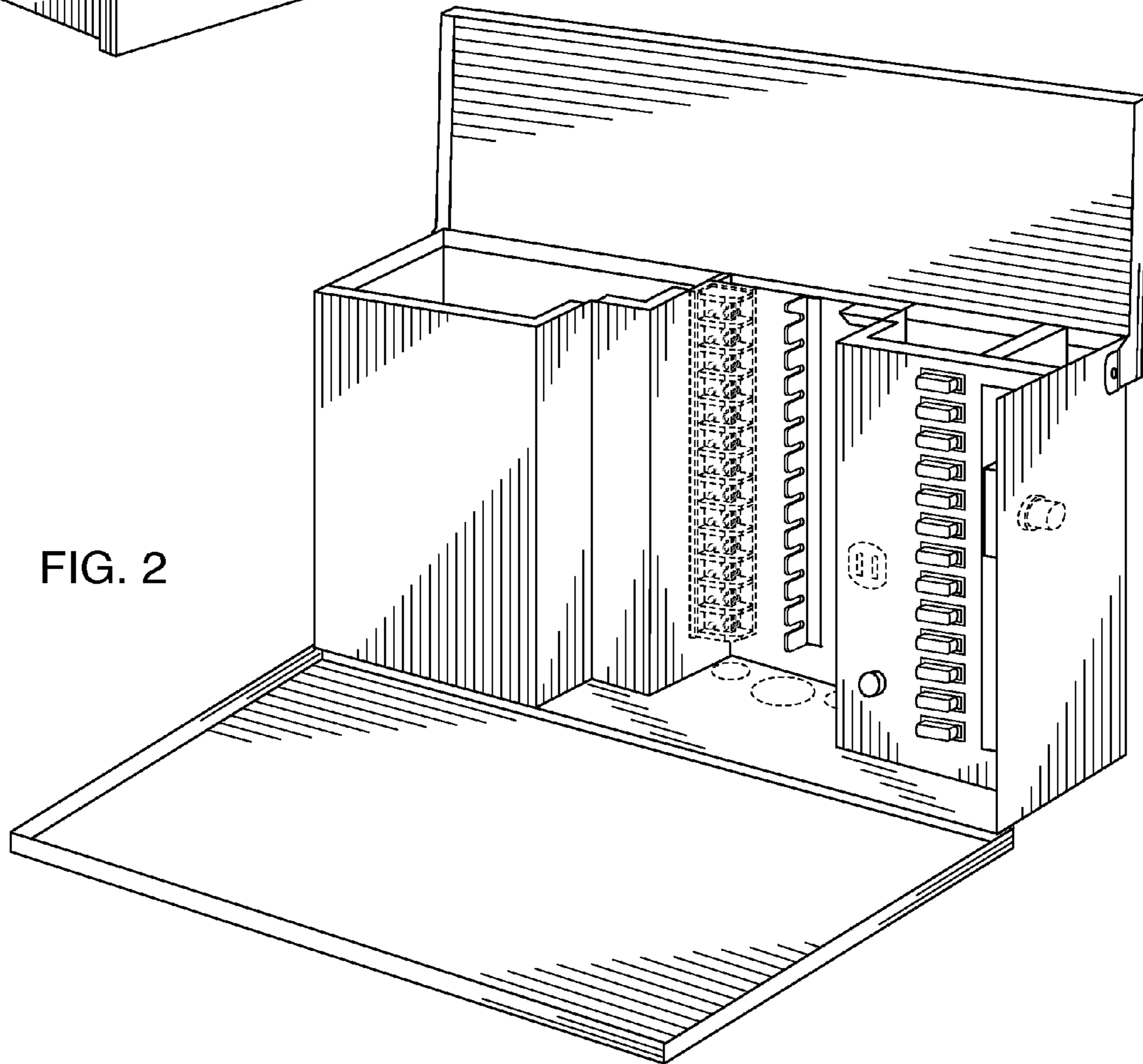


FIG. 2

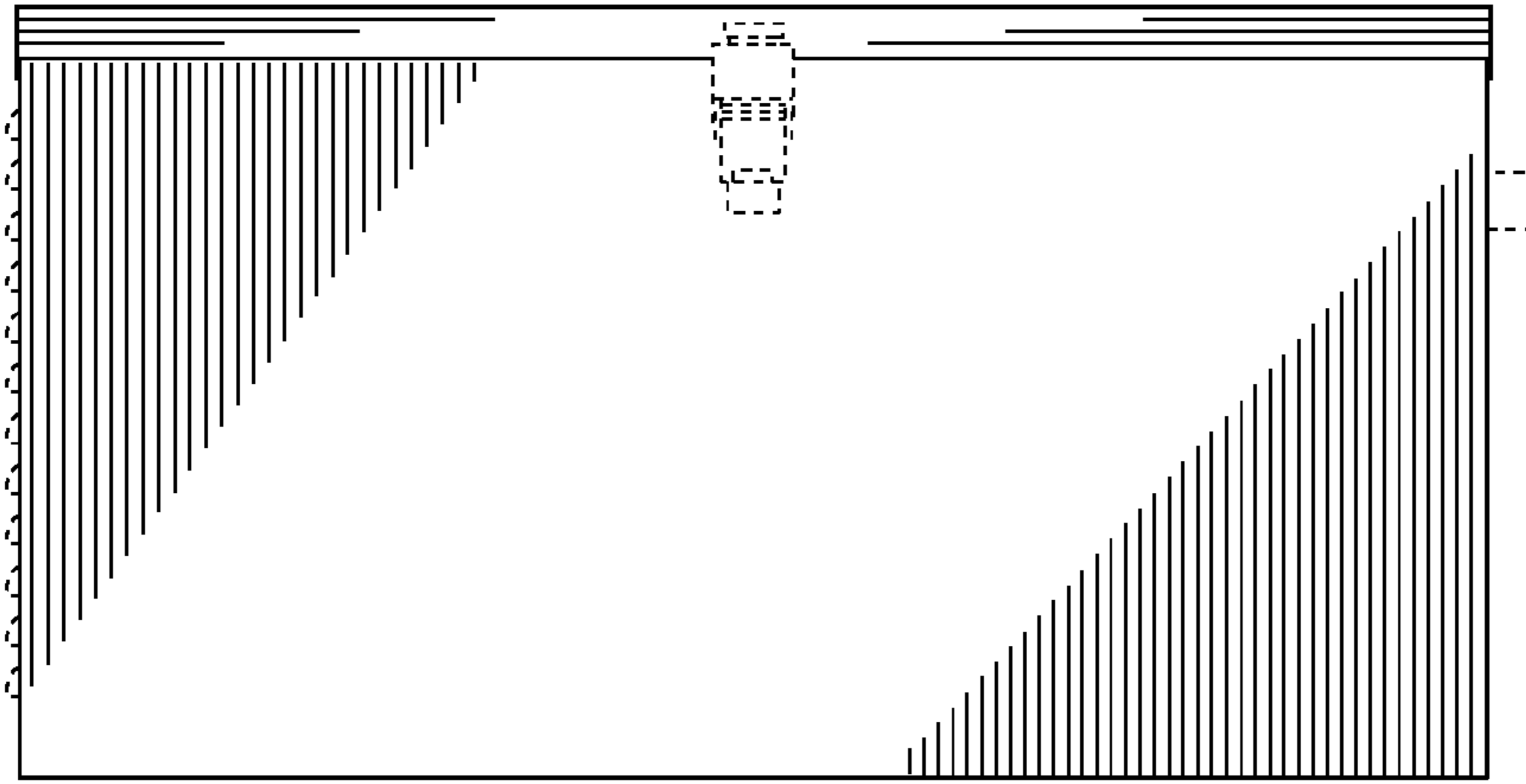


FIG. 3

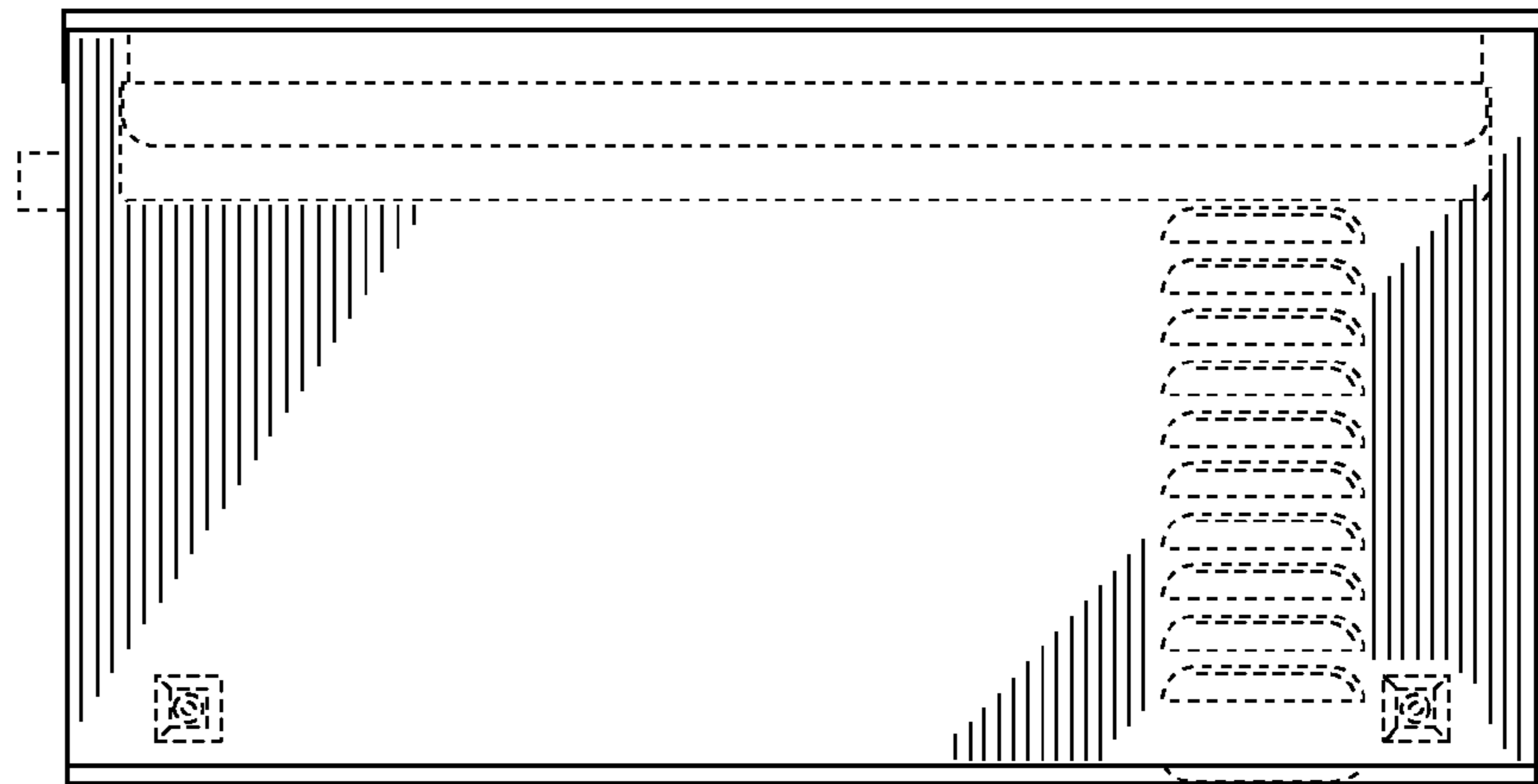


FIG. 4

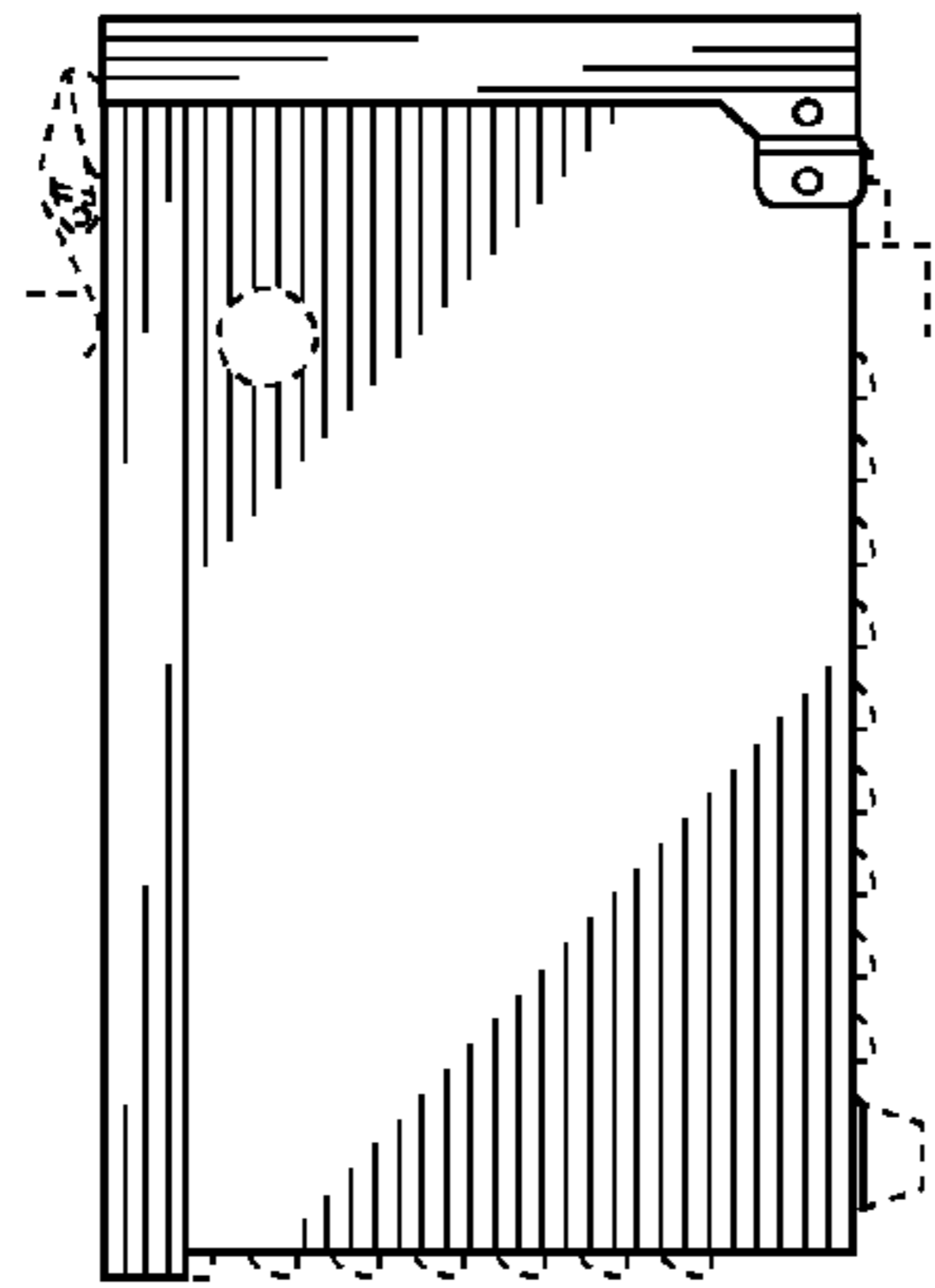


FIG. 5

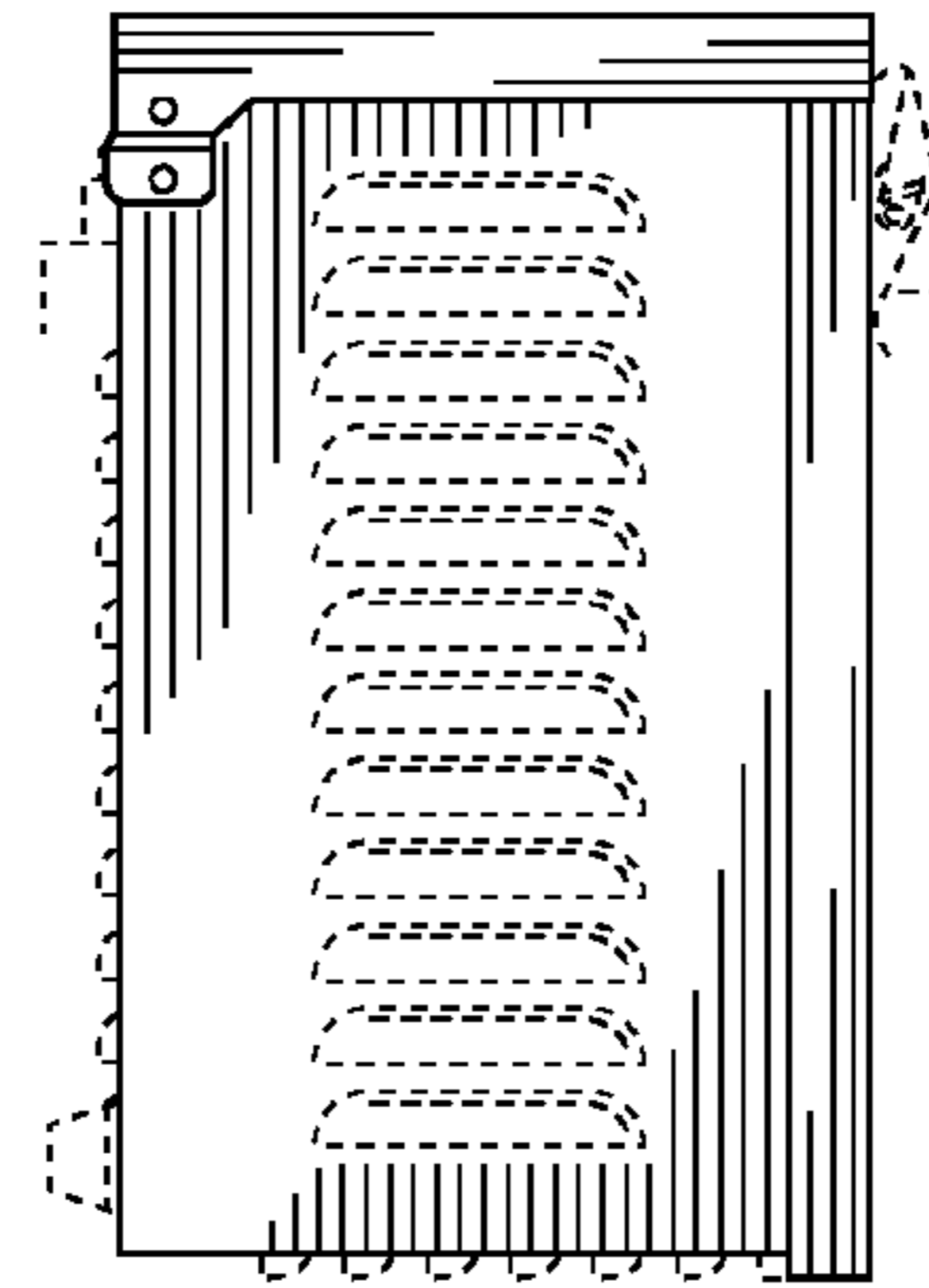


FIG. 6

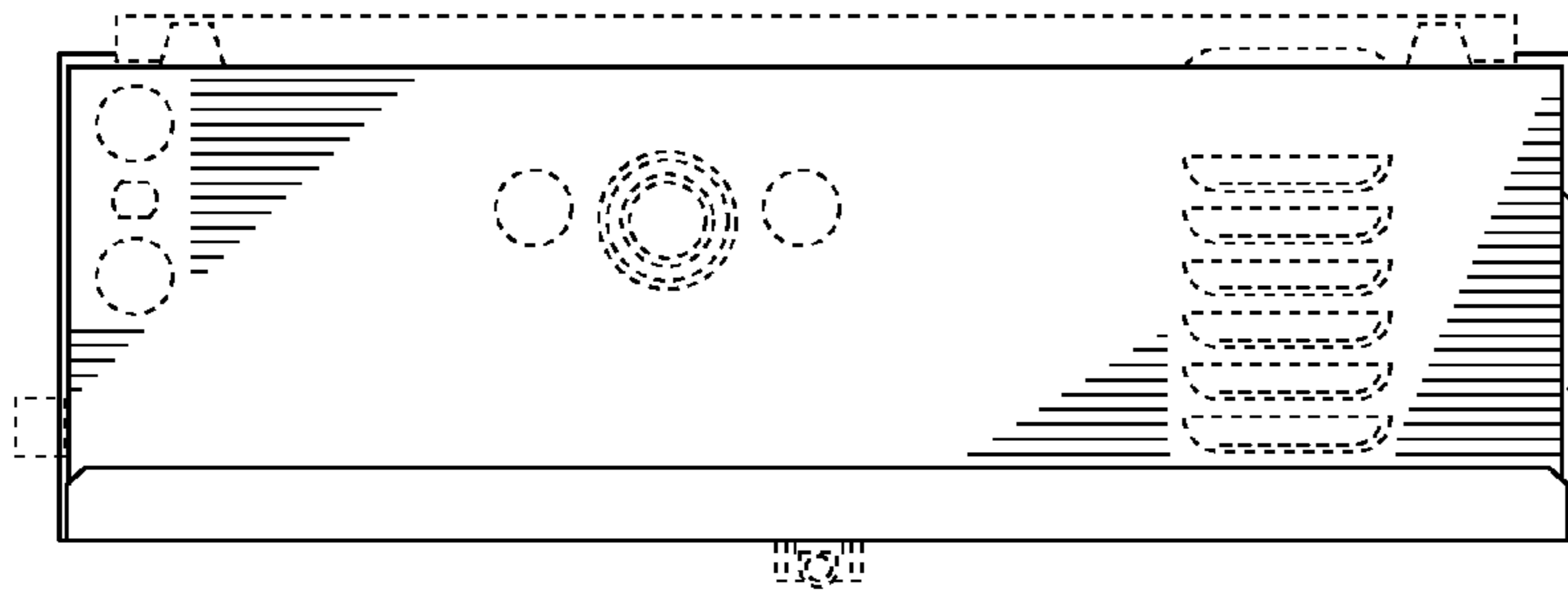


FIG. 7



FIG. 8