

US00D594408S

(12) **United States Design Patent**  
**Thorsteinsson et al.**

(10) **Patent No.:** **US D594,408 S**  
(45) **Date of Patent:** **\*\* Jun. 16, 2009**

(54) **ELECTRICAL TRANSFORMER**

(75) Inventors: **Sigurdur Thorsteinsson**, Milan (IT);  
**Egil Stryken**, Solbergelva (NO);  
**Richard Tinggren**, Thalwil (CH)

(73) Assignee: **ABB Technology AG**, Zurich (CH)

(\*\*) Term: **14 Years**

(21) Appl. No.: **29/317,370**

(22) Filed: **Apr. 29, 2008**

**Related U.S. Application Data**

(62) Division of application No. 29/282,093, filed on Jul. 11, 2007, now Pat. No. Des. 570,282, which is a division of application No. 29/275,256, filed on Dec. 19, 2006, now Pat. No. Des. 550,155, which is a division of application No. 29/204,775, filed on May 5, 2004, now Pat. No. Des. 542,734.

(30) **Foreign Application Priority Data**

Nov. 12, 2003 (EM) ..... 000102397

(51) **LOC (9) Cl.** ..... **13-02**

(52) **U.S. Cl.** ..... **D13/110**

(58) **Field of Classification Search** ..... D13/110,  
D13/101, 199; 174/52 R; 220/4.02; 336/92,  
336/94, 98, 107; 363/153, 171  
See application file for complete search history.

(56) **References Cited**

**U.S. PATENT DOCUMENTS**

2,325,470 A \* 7/1943 Bonanno et al. .... 336/92  
D188,248 S 6/1960 Albright et al.  
D188,249 S 6/1960 Albright et al.  
2,947,957 A 8/1960 Spindler  
D202,045 S 8/1965 Oberlin  
3,479,563 A 11/1969 Roy  
4,027,279 A 5/1977 Shigehara et al.  
D254,846 S \* 4/1980 Wood ..... D13/110  
D257,342 S 10/1980 Payne

D259,040 S 4/1981 Pierce  
D290,456 S 6/1987 Burgher et al.  
D348,868 S \* 7/1994 Terlop et al. .... D13/110  
6,185,811 B1 2/2001 Perry et al.

**OTHER PUBLICATIONS**

ABB Inc., Power Transformers, 2003, 11 pgs.  
ASA Trafobau GmbH, 24 pgs.  
Koncar-Distributivni I Specijalni Transformatori d.d., Power Transformers, (3,2) V 01, 8 pgs.  
SGB Starkstrom and SMIT Transformers, Partners in Power, 6 pgs.  
MF Transformatori srl, Oil Filled Transformer, 14 pgs.

\* cited by examiner

*Primary Examiner*—Prabhakar Deshmukh  
*Assistant Examiner*—Derrick Holland  
(74) *Attorney, Agent, or Firm*—Connolly Bove Lodge & Hutz LLP

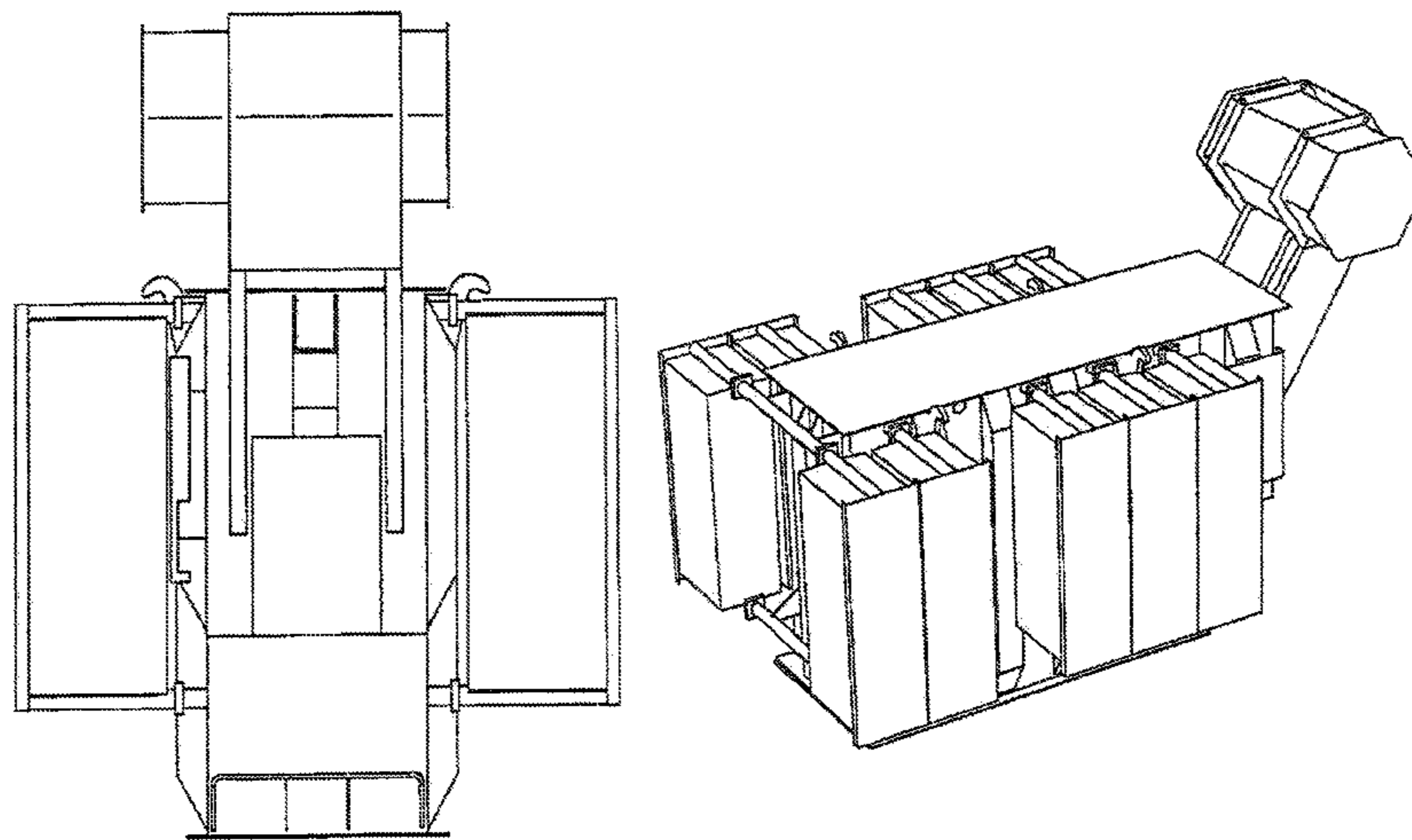
(57) **CLAIM**

The ornamental design for an electrical transformer, as shown and described.

**DESCRIPTION**

FIG. 1 is a front view of an electrical transformer showing our new design;  
FIG. 2 is a top view thereof;  
FIG. 3 is a side view thereof;  
FIG. 4 is a perspective view thereof;  
FIG. 5 is a front view of a second embodiment thereof;  
FIG. 6 is a top view thereof;  
FIG. 7 is a side view thereof;  
FIG. 8 is a perspective view thereof;  
FIG. 9 is a front view of a third embodiment thereof;  
FIG. 10 is a top view thereof;  
FIG. 11 is a side view thereof; and,  
FIG. 12 is a perspective view thereof.

**1 Claim, 9 Drawing Sheets**



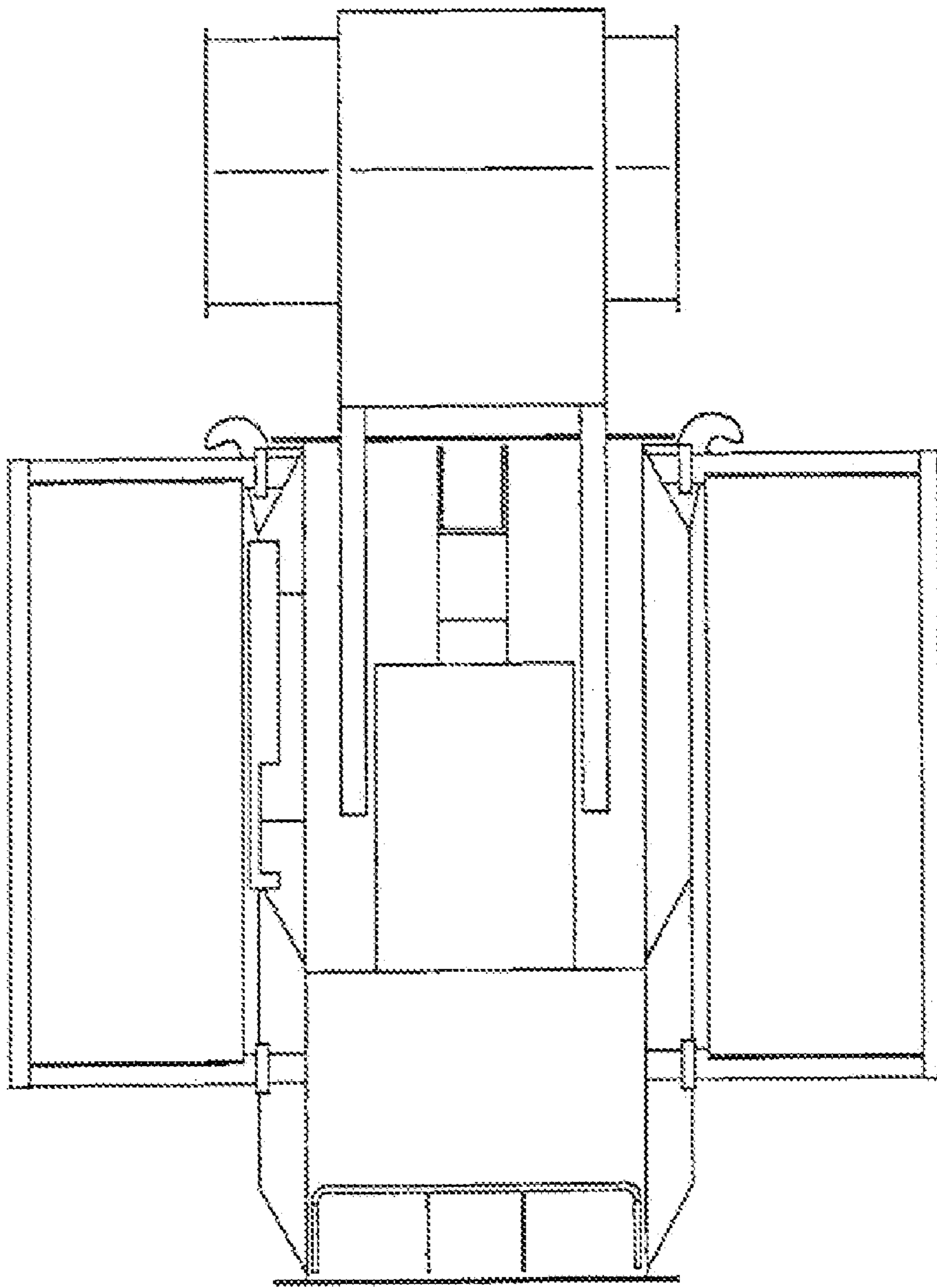


Fig. 1

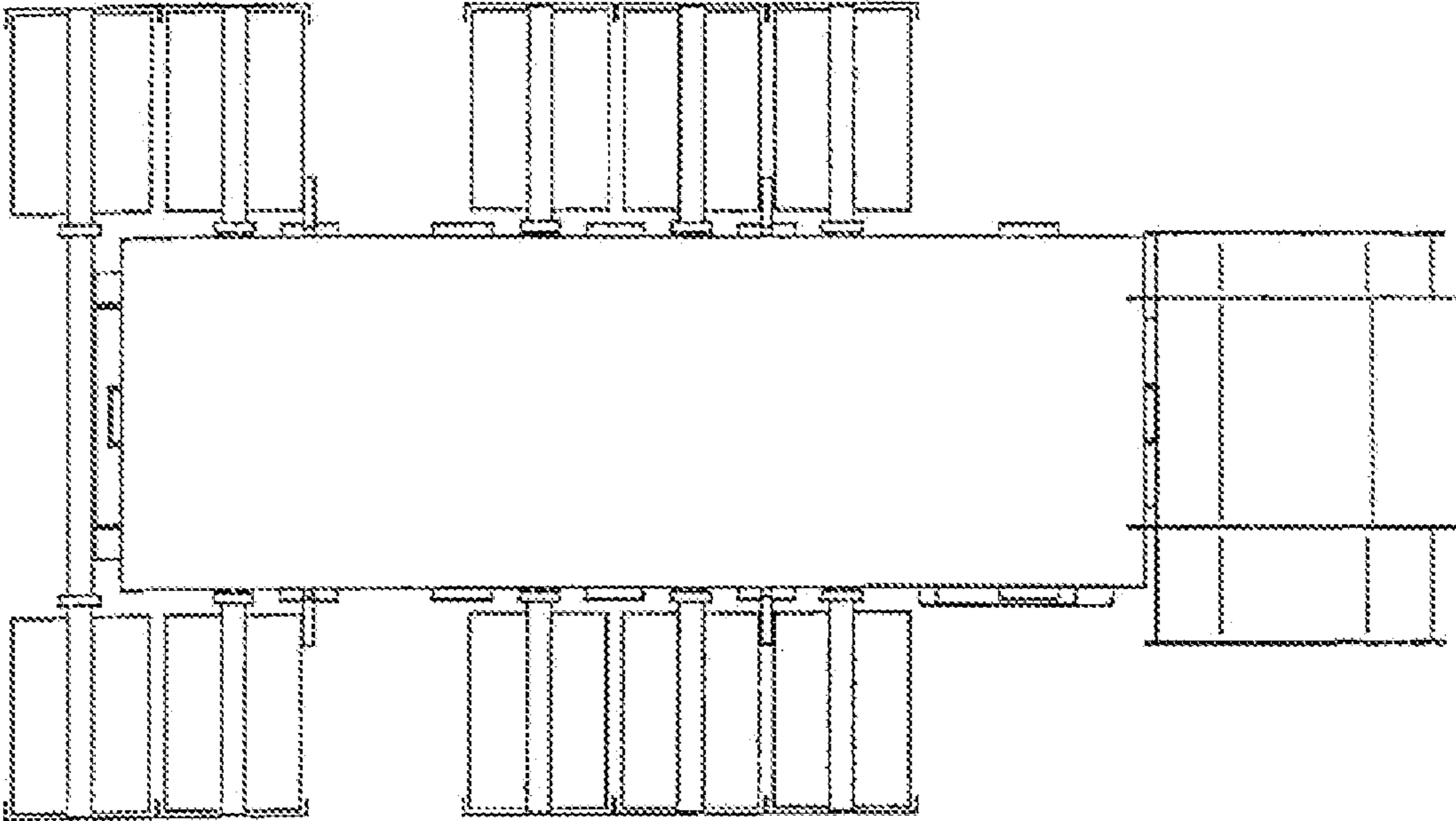


Fig. 2

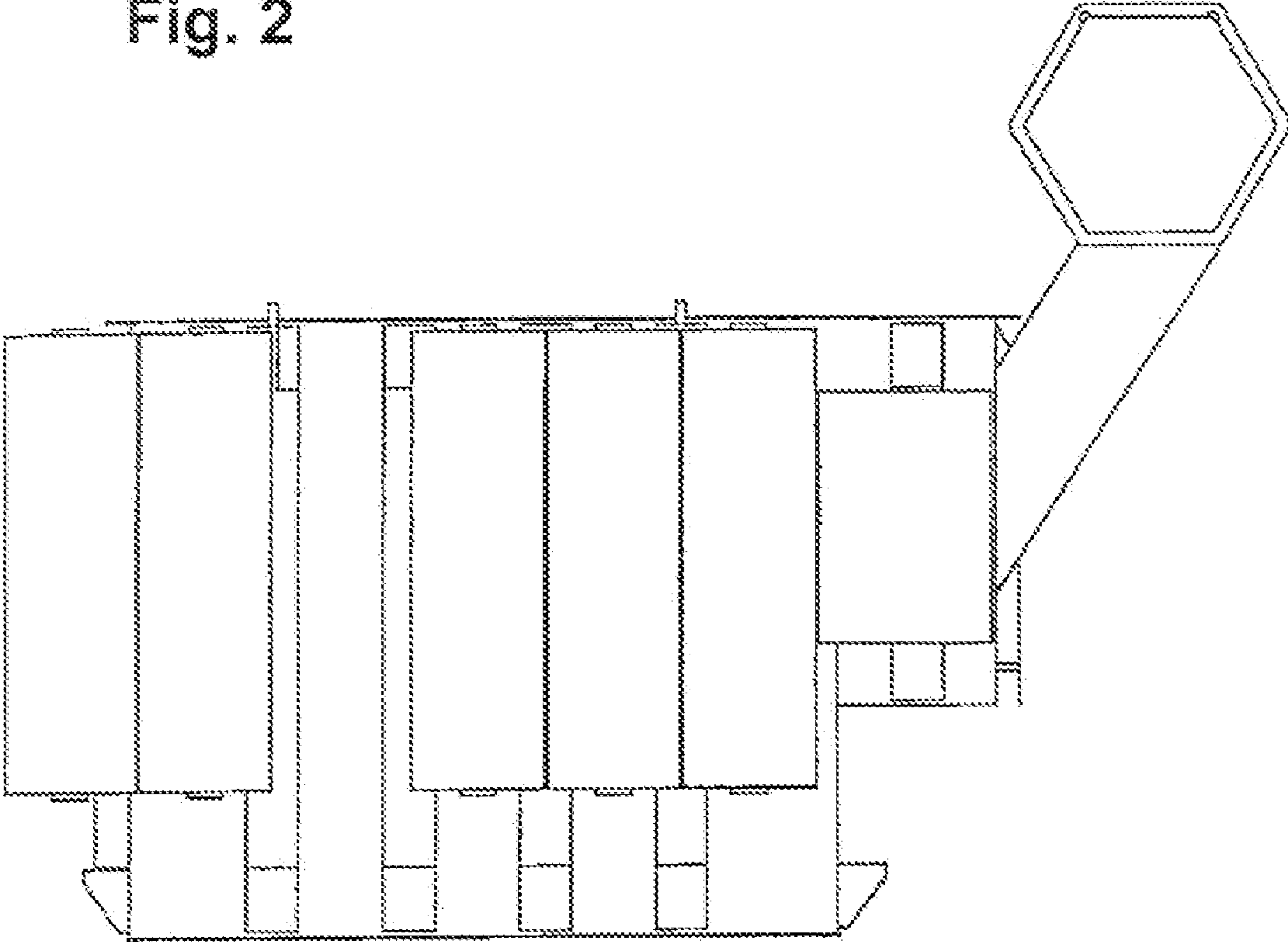


Fig. 3

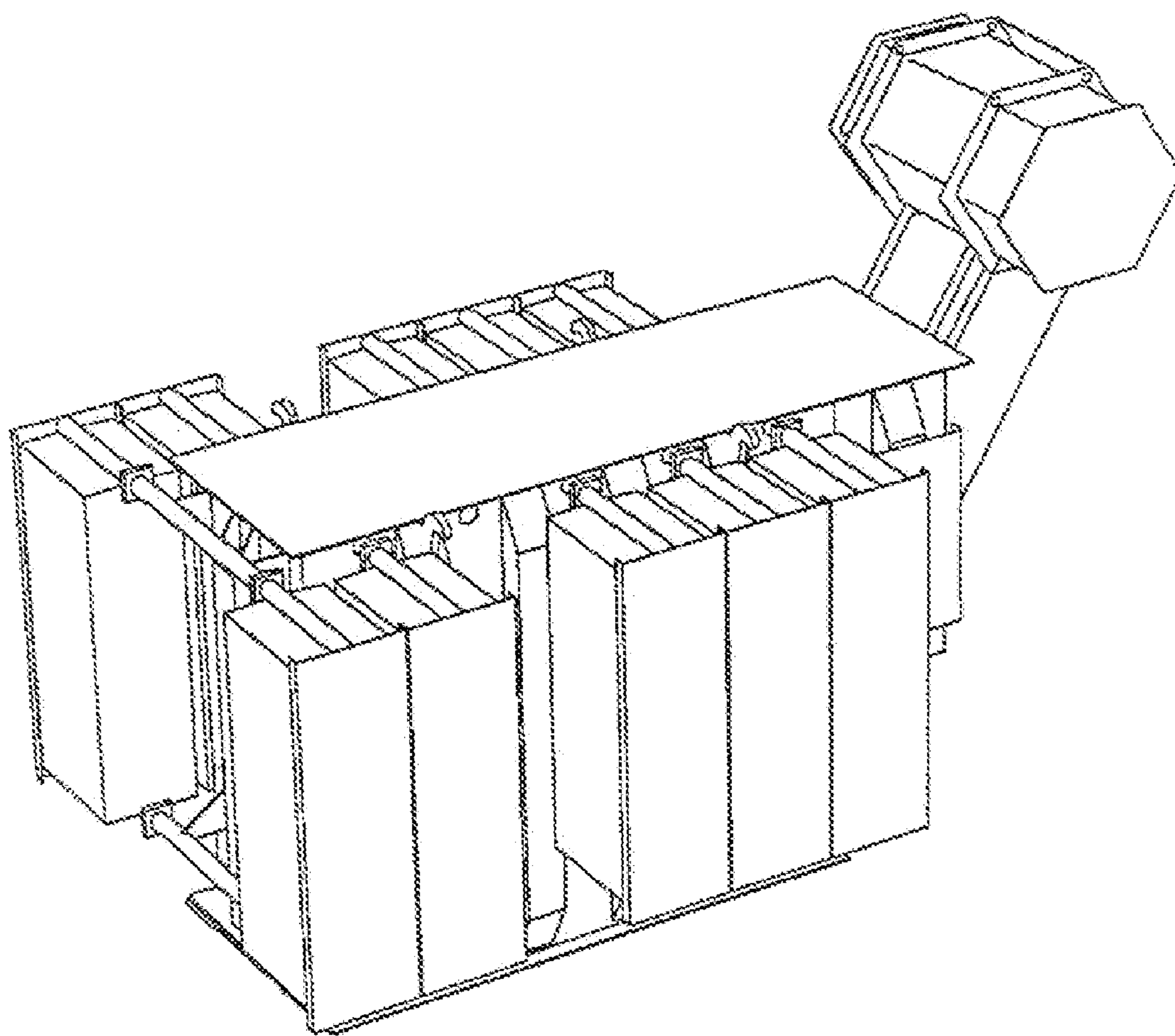


Fig. 4

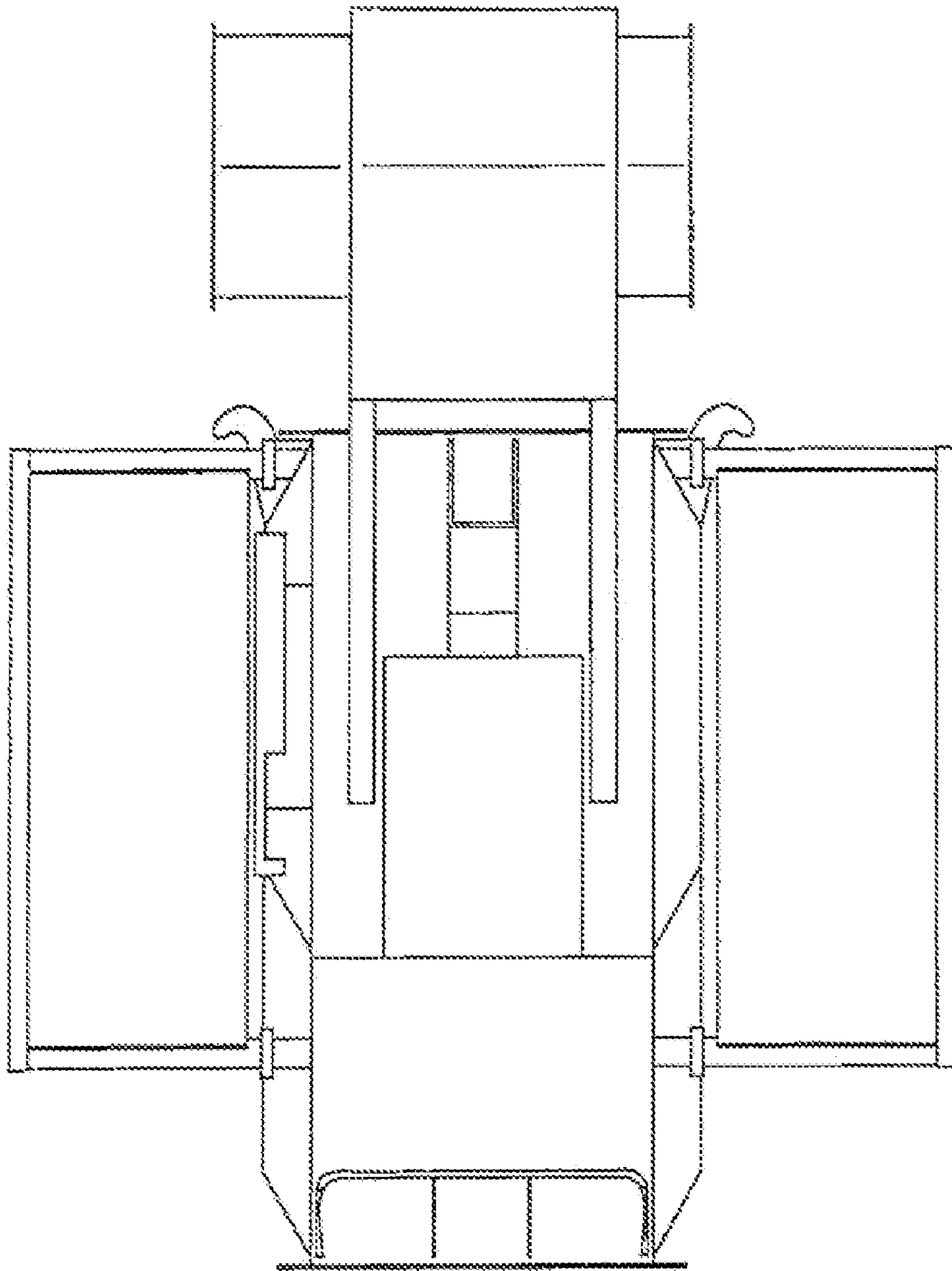


Fig. 5

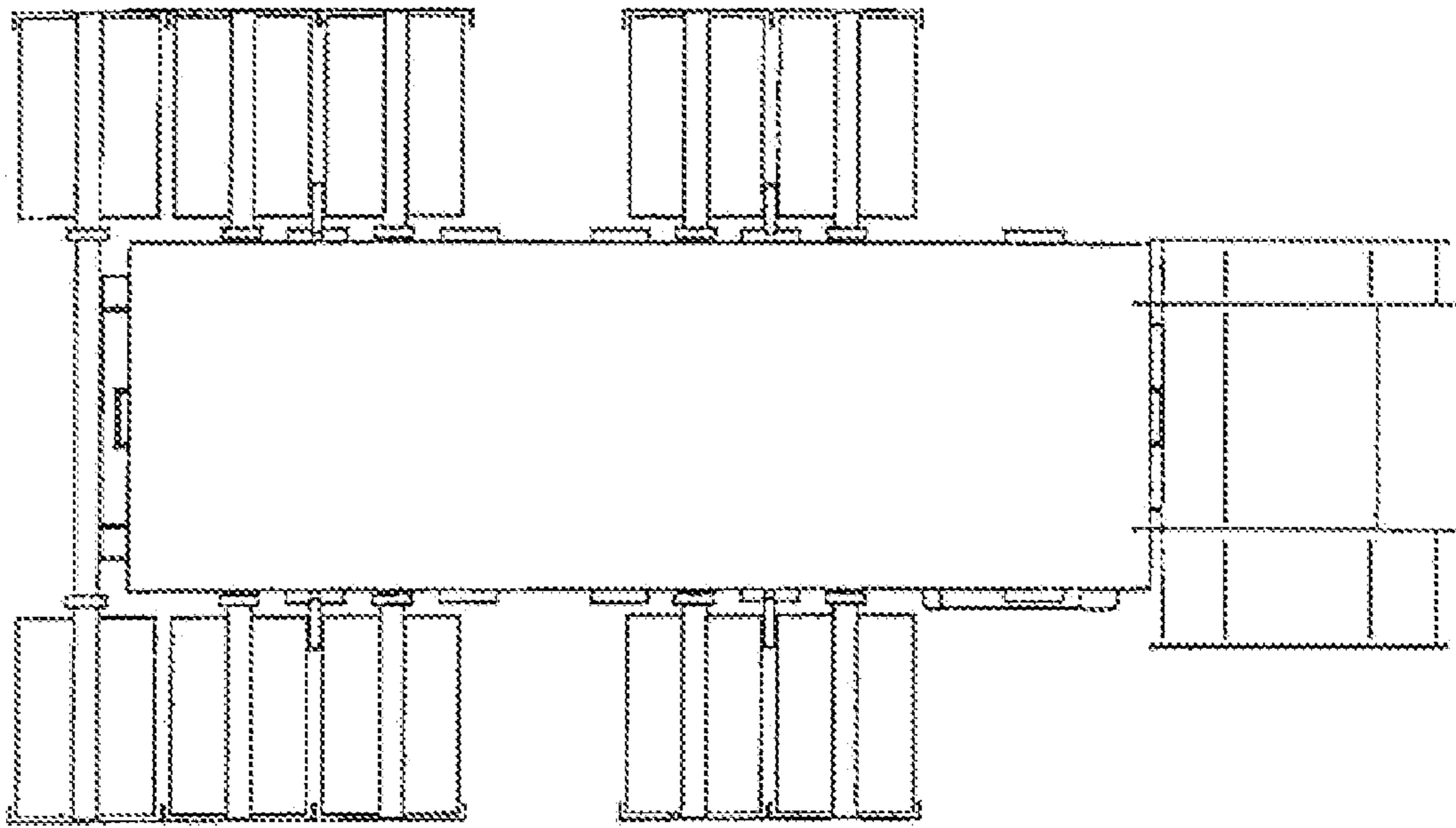


Fig. 6

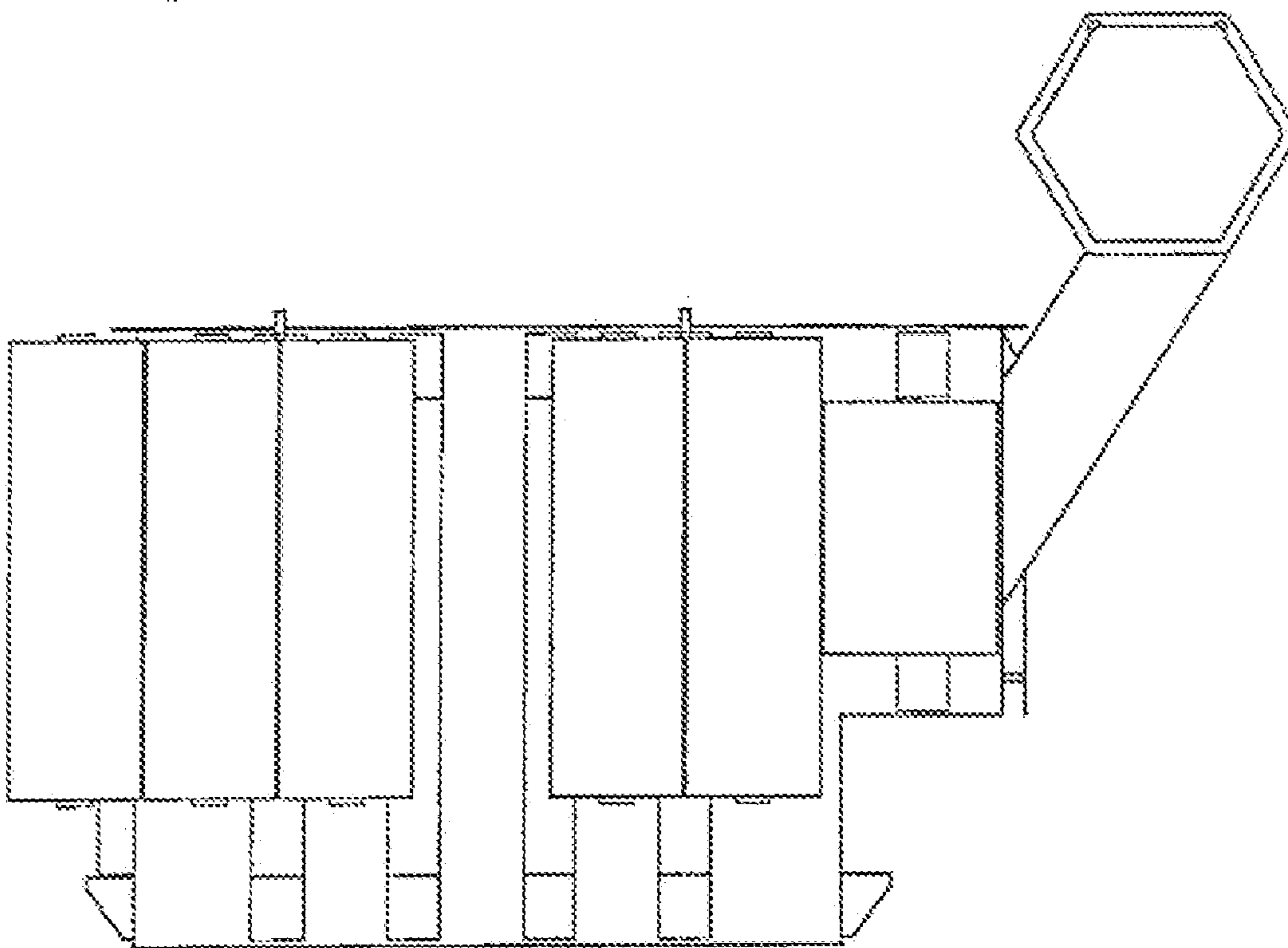


Fig. 7

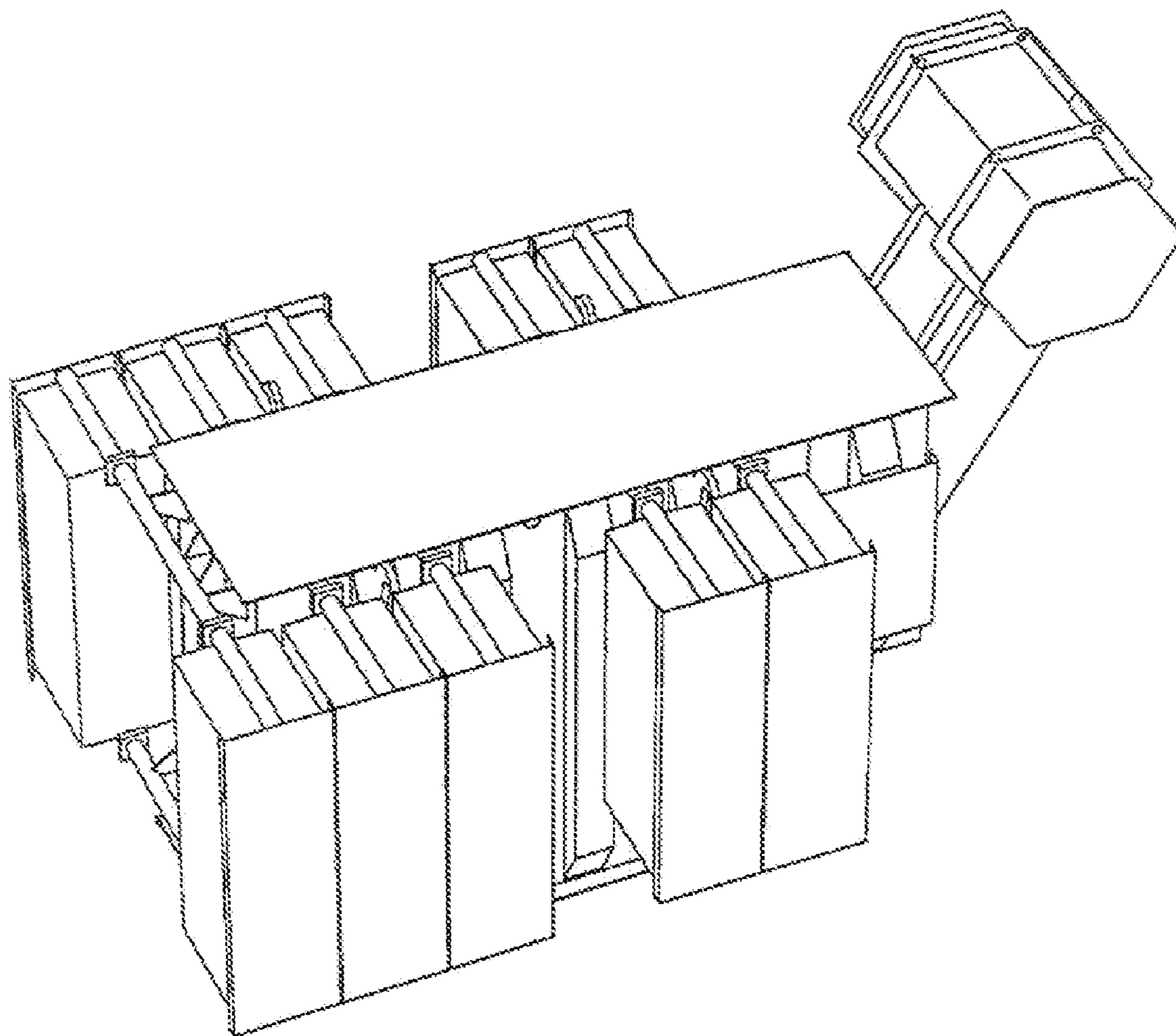


Fig. 8

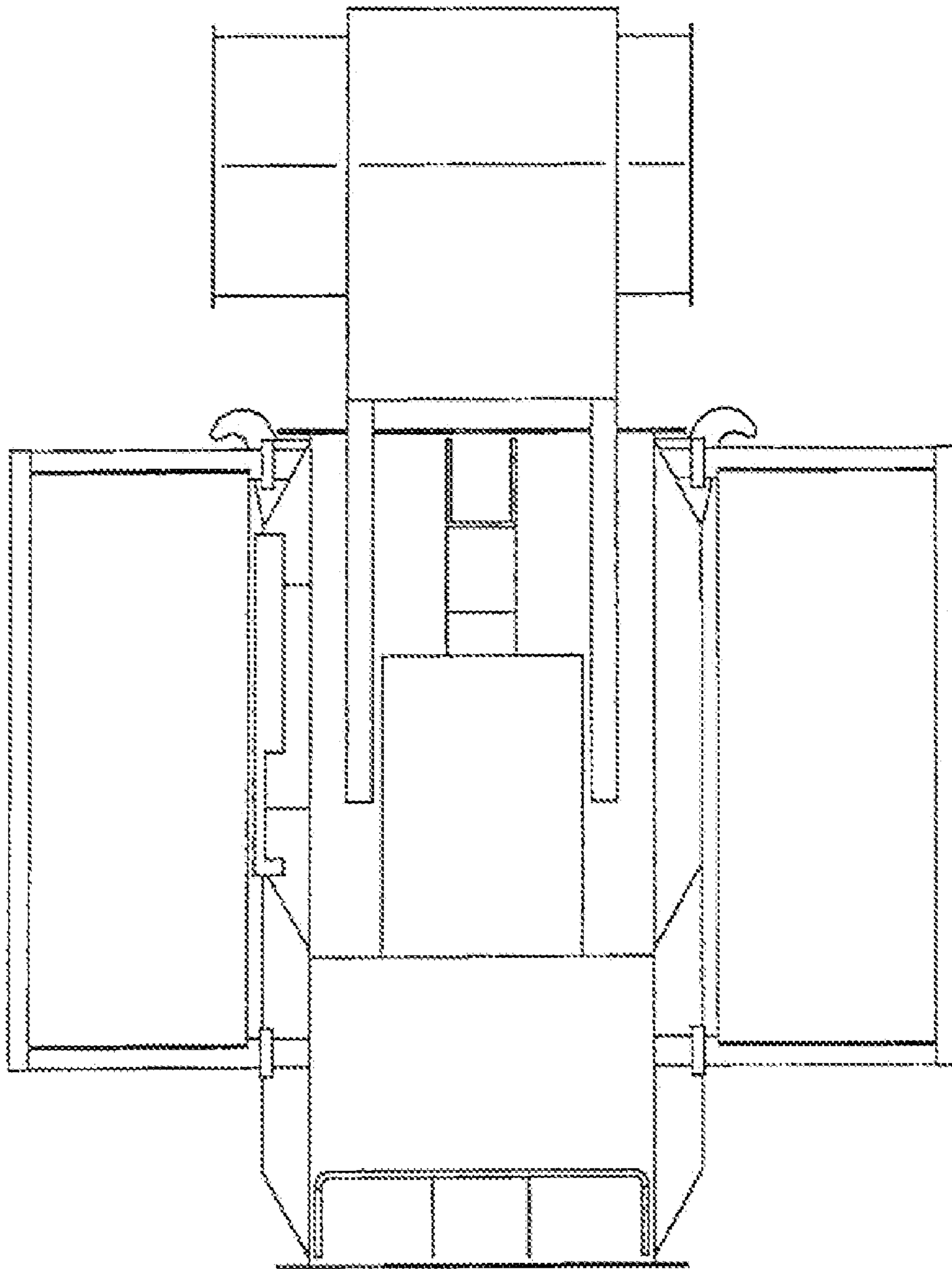


Fig. 9



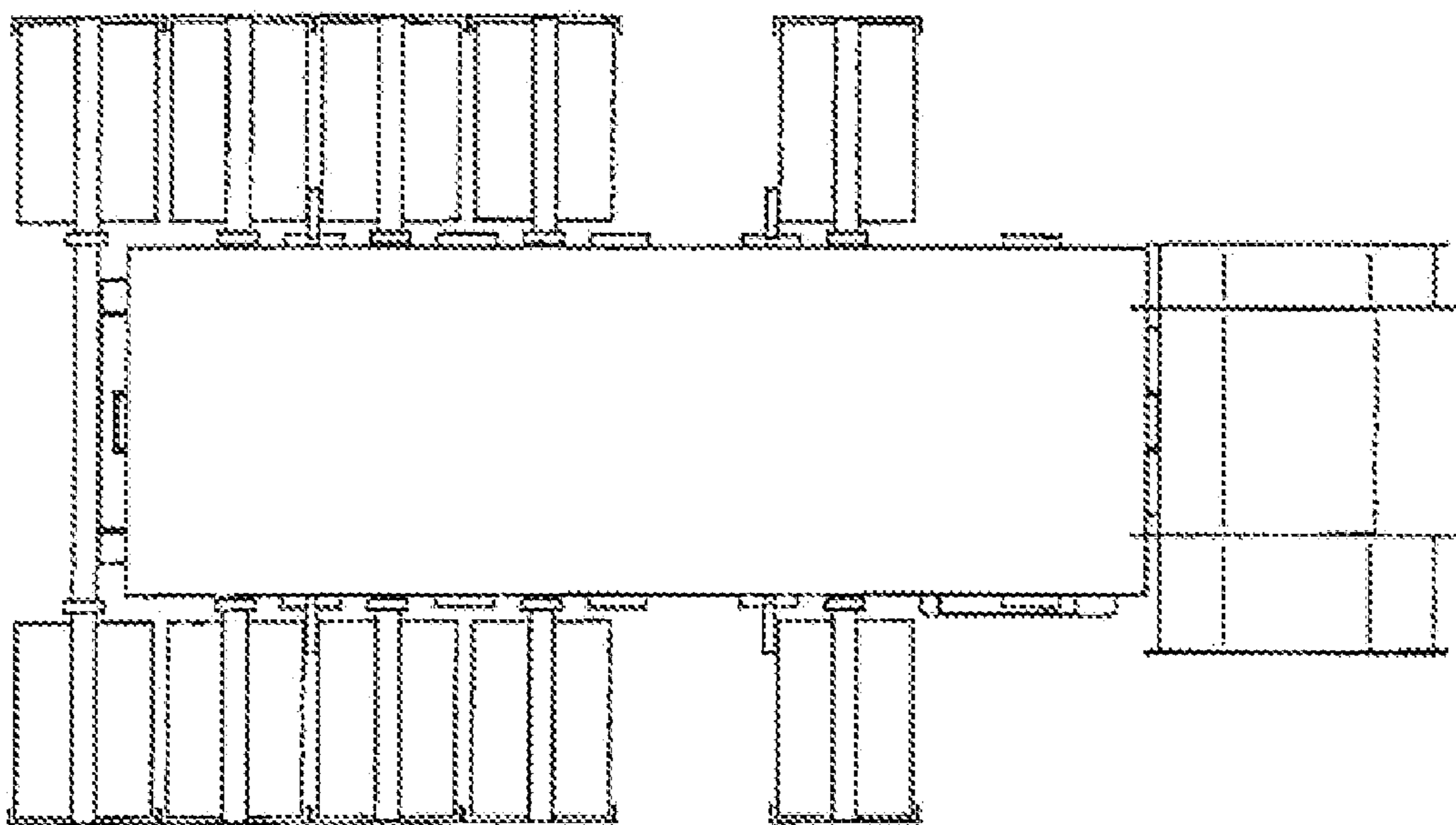


Fig. 10

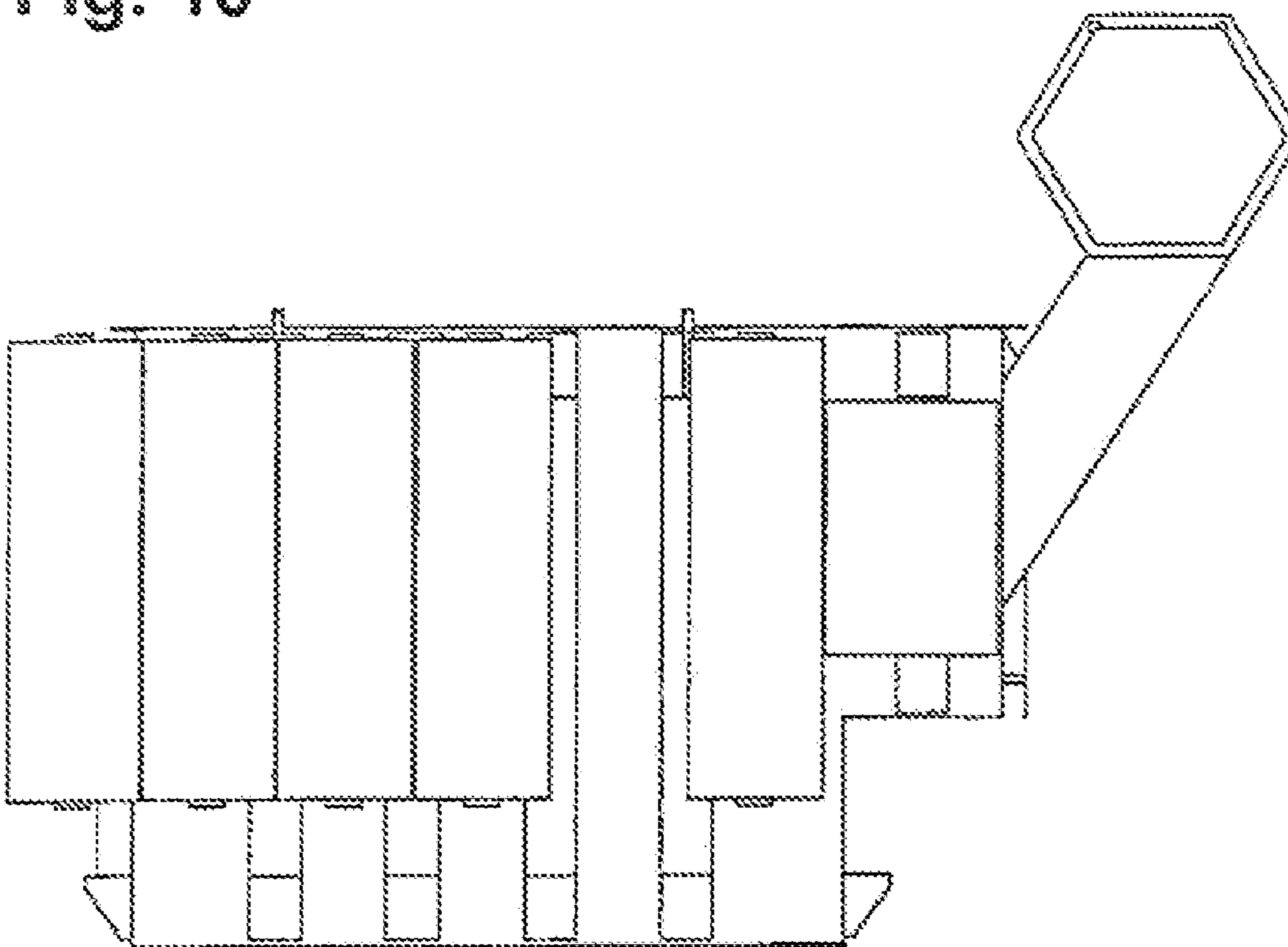


Fig. 11

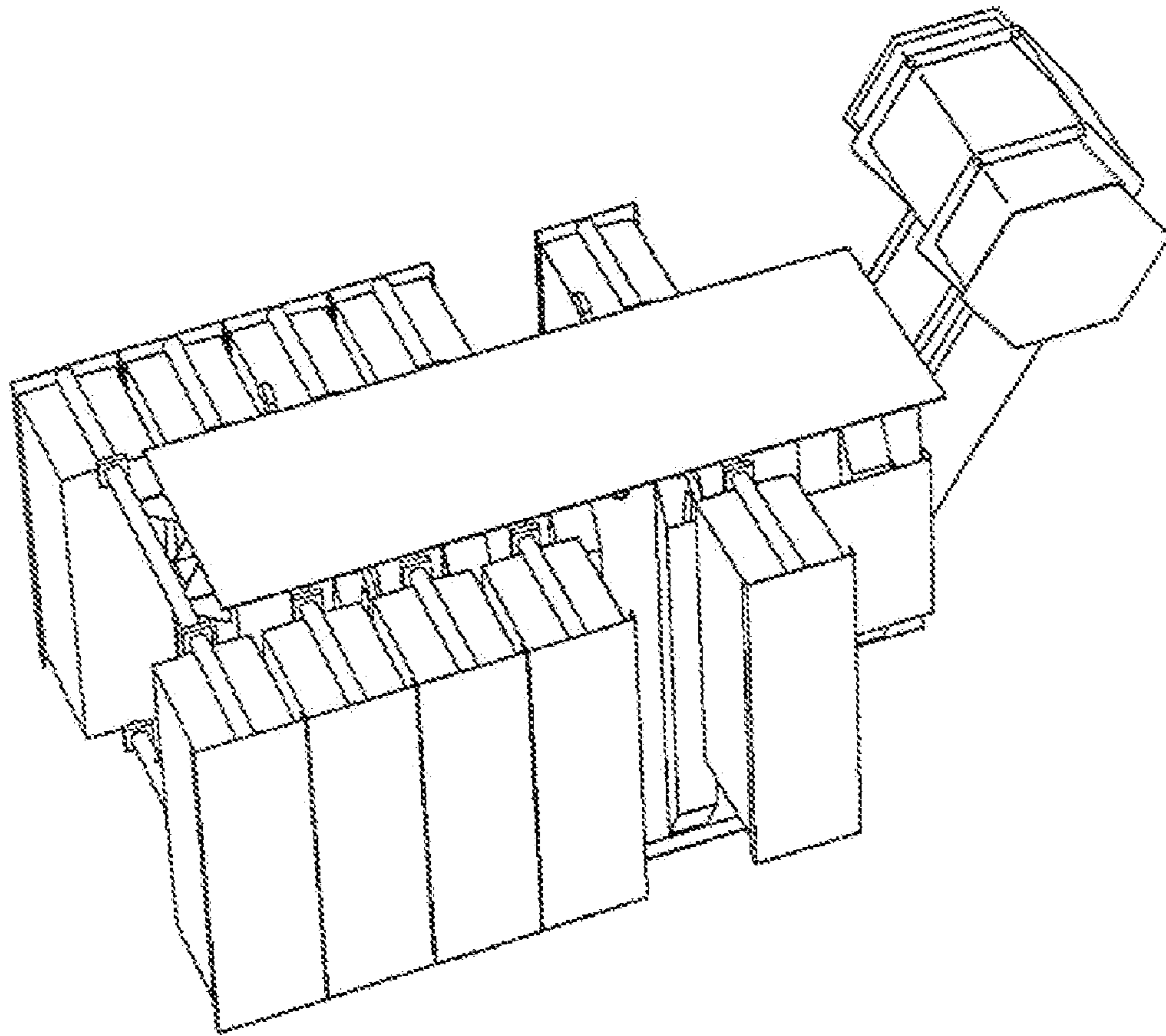


Fig. 12